



US00D944766S

(12) **United States Design Patent**  
**He et al.**

(10) **Patent No.:** **US D944,766 S**

(45) **Date of Patent:** **\*\* Mar. 1, 2022**

- (54) **KID WIRELESS HEADPHONE**
- (71) Applicant: **SHENZHEN THOUSANDSHORES TECHNOLOGY CO., LTD.**, Shenzhen (CN)
- (72) Inventors: **Ding He**, Shenzhen (CN); **Zhi Liu**, Shenzhen (CN); **Jinying Zhao**, Shenzhen (CN); **Hailong Zhou**, Shenzhen (CN)

(\*\*) Term: **15 Years**

(21) Appl. No.: **29/758,789**

(22) Filed: **Nov. 18, 2020**

(51) **LOC (13) Cl.** ..... **14-01**

(52) **U.S. Cl.**

USPC ..... **D14/206**; D14/226

(58) **Field of Classification Search**

USPC ..... D14/206, 188, 192, 226, 218; D29/112; 2/209; 381/380, 381, 374, 382, 370, 375; 455/90.3, 569.1, 575.1

CPC ..... H04R 25/00; H04R 25/02; H04R 1/1066; H04R 1/1016; H04R 5/033; H04R 5/0335; H04R 1/1033; H04R 1/1083; H04R 1/1058; H04R 19/04; H04R 1/08

See application file for complete search history.

(56) **References Cited**

**U.S. PATENT DOCUMENTS**

- 2,875,543 A \* 3/1959 Sylvester ..... D06Q 1/00 428/30
- 2,958,148 A \* 11/1960 Sylvester ..... B44F 1/00 428/30
- 4,875,233 A \* 10/1989 Derhaag ..... H04M 1/05 379/430
- 5,369,857 A \* 12/1994 Sacherman ..... H04R 5/0335 29/594
- 5,787,166 A \* 7/1998 Ullman ..... H04M 1/05 379/430
- D410,466 S \* 6/1999 Mouri ..... D14/205

- D420,356 S \* 2/2000 Suzuki ..... D14/205
- 6,560,346 B2 \* 5/2003 Ohta ..... H04R 1/083 381/382
- 6,819,762 B2 \* 11/2004 Jones ..... H04M 1/05 379/430
- 6,980,666 B1 \* 12/2005 Owen ..... H04R 5/033 381/371
- D519,497 S \* 4/2006 Komiyama ..... D14/223
- 7,106,877 B1 \* 9/2006 Linville ..... H04R 1/105 381/370
- D668,633 S \* 10/2012 Enquist ..... D14/205
- D675,595 S \* 2/2013 Cho ..... D14/205
- D686,593 S \* 7/2013 Larsen ..... D14/205
- 8,605,934 B2 \* 12/2013 Hagberg ..... H04R 1/1066 381/375
- D712,872 S \* 9/2014 Yuen ..... D14/205

(Continued)

**FOREIGN PATENT DOCUMENTS**

- EM 008319404-0001 \* 12/2020
- GB 9008301253-0001 \* 11/2020

*Primary Examiner* — Paula Allen Greene

(57) **CLAIM**

The ornamental design for a kid wireless headphone, as shown and described.

**DESCRIPTION**

FIG. 1 is a perspective view of a kid wireless headphone showing my new design;  
 FIG. 2 is a front view thereof;  
 FIG. 3 is a rear view thereof;  
 FIG. 4 is a right side view thereof;  
 FIG. 5 is a left side view thereof;  
 FIG. 6 is a top plan view thereof; and,  
 FIG. 7 is a bottom plan view thereof.  
 The broken lines in the figures illustrate portions of the kid wireless headphone that form no part of the claimed design.

**1 Claim, 7 Drawing Sheets**



(56)

References Cited

U.S. PATENT DOCUMENTS

D722,590 S *	2/2015	Lu .....	D14/205	D867,330 S *	11/2019	Lindof .....	D14/206
D746,790 S *	1/2016	Strasberg .....	D14/205	D867,331 S *	11/2019	Lindof .....	D14/206
D758,991 S *	6/2016	Petersen .....	D14/205	D869,430 S *	12/2019	Rama .....	D14/205
D765,055 S *	8/2016	Hsieh .....	D14/205	D870,069 S *	12/2019	Hu .....	D14/206
D780,156 S *	2/2017	Petersen .....	D14/205	D874,430 S *	2/2020	Liu .....	D14/205
D809,478 S *	2/2018	Arimoto .....	D14/205	D875,073 S *	2/2020	Pedersen .....	D14/206
D812,588 S *	3/2018	Levine .....	D14/205	D879,067 S *	3/2020	Hu .....	D14/205
D832,813 S *	11/2018	Levine .....	D14/205	D885,364 S *	5/2020	Paterson .....	D14/206
D848,395 S *	5/2019	Kelley .....	D14/205	D895,570 S *	9/2020	Choi .....	D14/205
D851,628 S *	6/2019	Wernblad .....	D14/206	D896,203 S *	9/2020	Tong .....	D14/206
D855,036 S *	7/2019	Yan .....	D14/206	D896,782 S *	9/2020	Li .....	D14/206
D856,303 S *	8/2019	Ando .....	D14/205	D898,711 S *	10/2020	Pedersen .....	D14/225
D864,155 S *	10/2019	Liu .....	D14/206	D927,455 S *	8/2021	Yang .....	D14/206
D864,156 S *	10/2019	Liu .....	D14/206	2012/0099754 A1 *	4/2012	Petersen .....	H04R 1/1066
D864,896 S *	10/2019	Zhang .....	D14/205				381/379
D866,509 S *	11/2019	Lindof .....	D14/206	2016/0050486 A1 *	2/2016	Uggla .....	H04R 1/1091
D866,510 S *	11/2019	Lindof .....	D14/206				381/378
D866,513 S *	11/2019	Lindof .....	D14/206	2017/0041695 A1 *	2/2017	Hernandez Vazquez .....	H04R 1/1075
D866,514 S *	11/2019	Lindof .....	D14/206				H04R 1/1033
				2017/0041697 A1 *	2/2017	Levine .....	H04R 1/1033
				2020/0040252 A1 *	2/2020	Favero .....	C09K 8/36

\* cited by examiner



FIG. 1

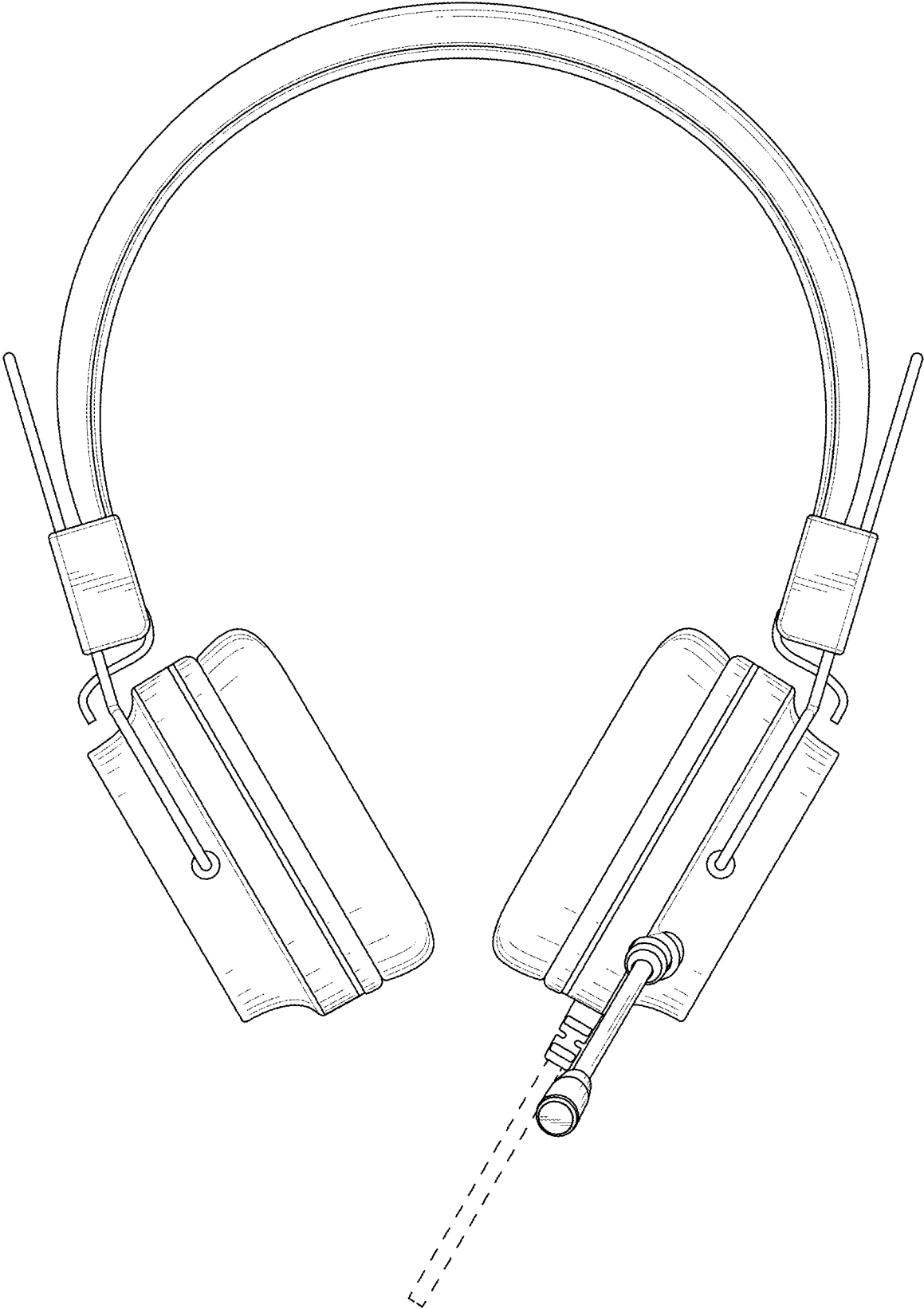


FIG. 2

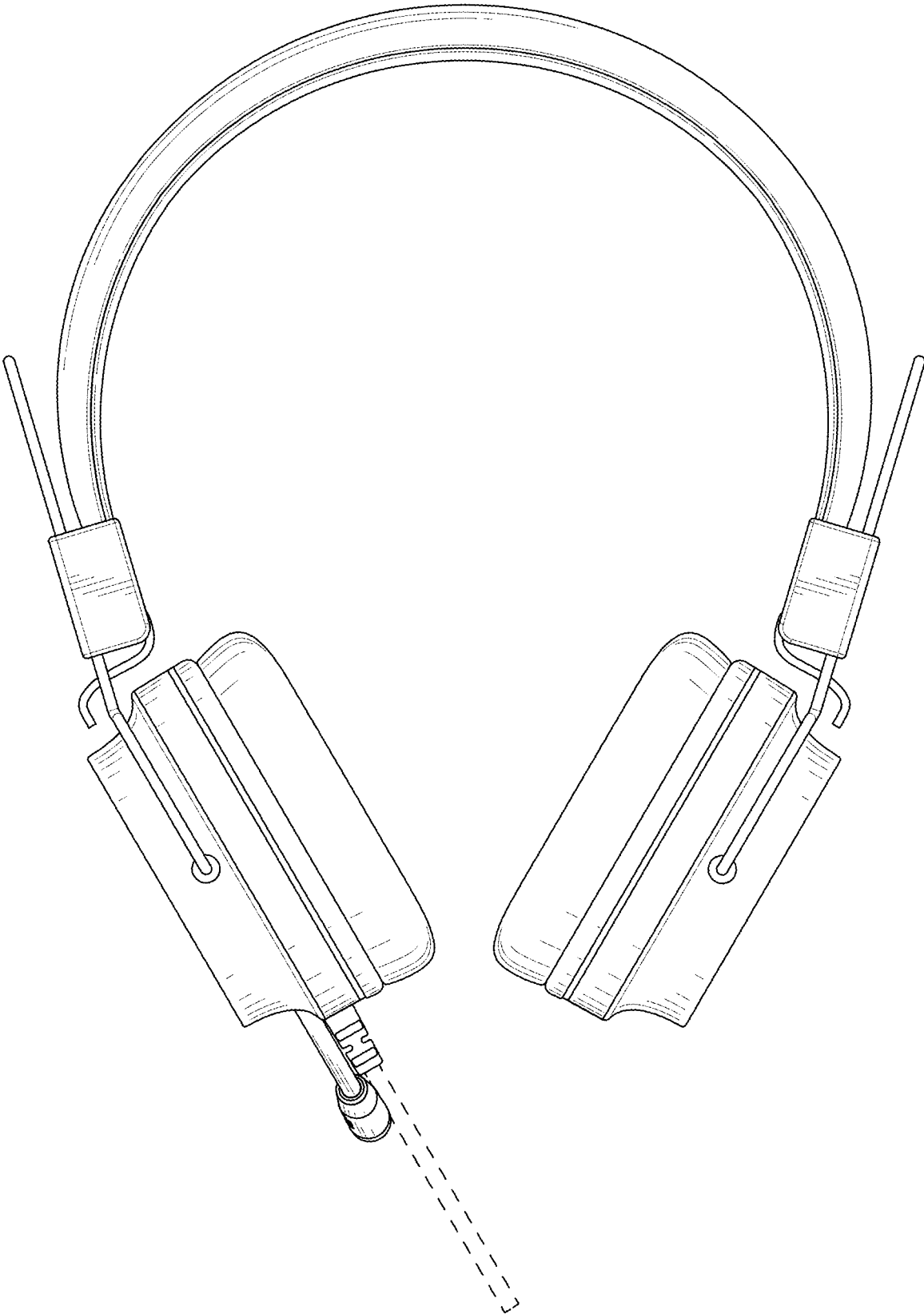


FIG. 3

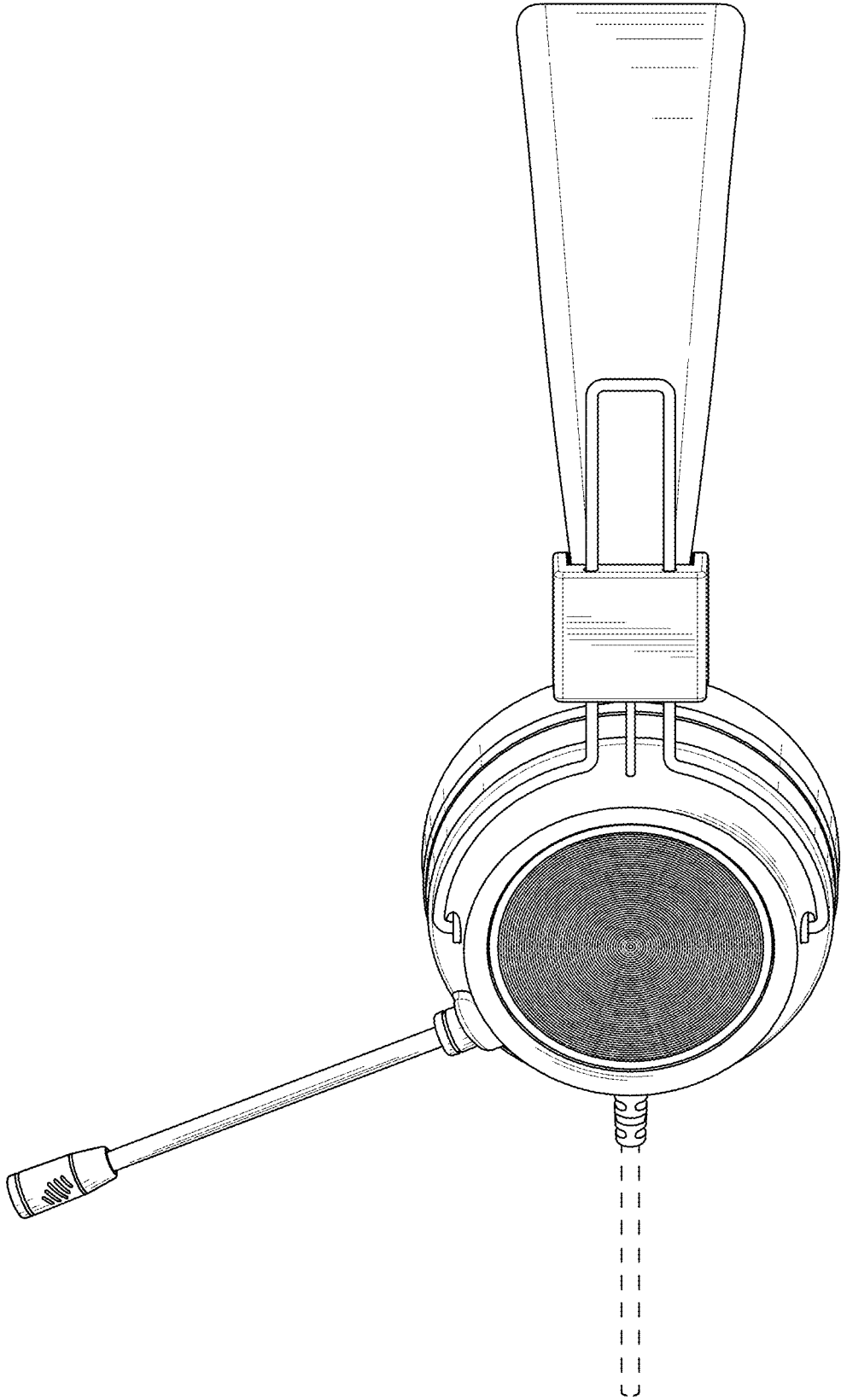


FIG. 4

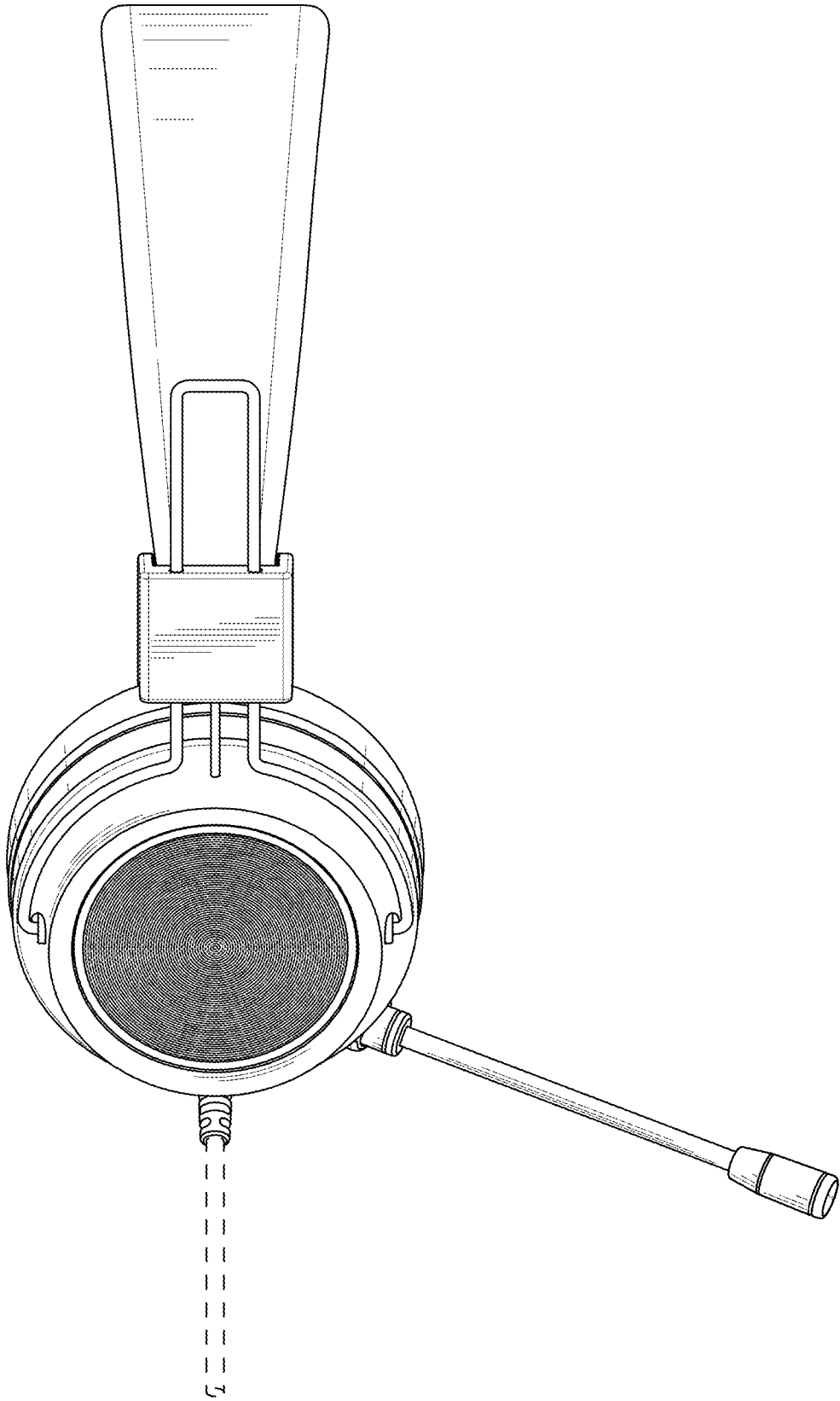


FIG. 5

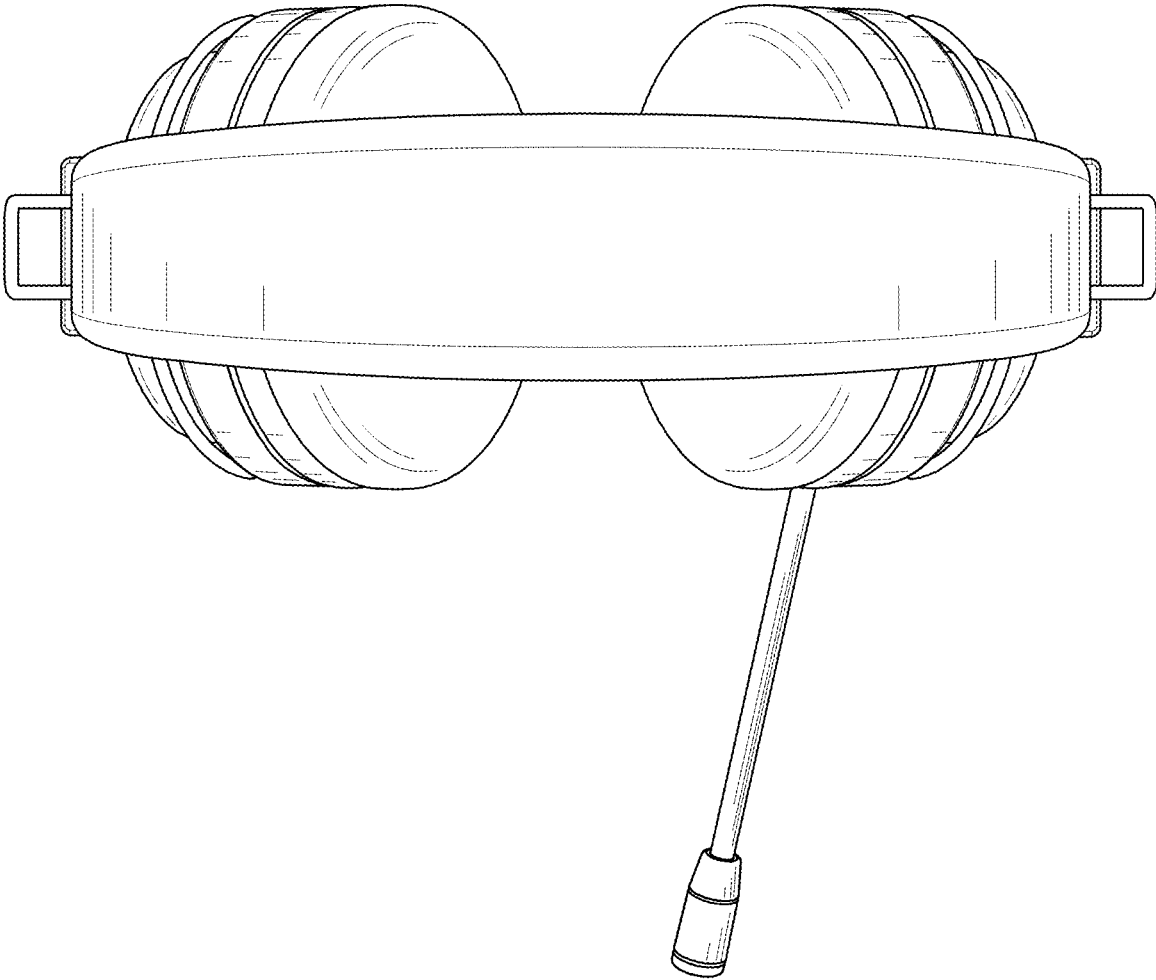


FIG. 6



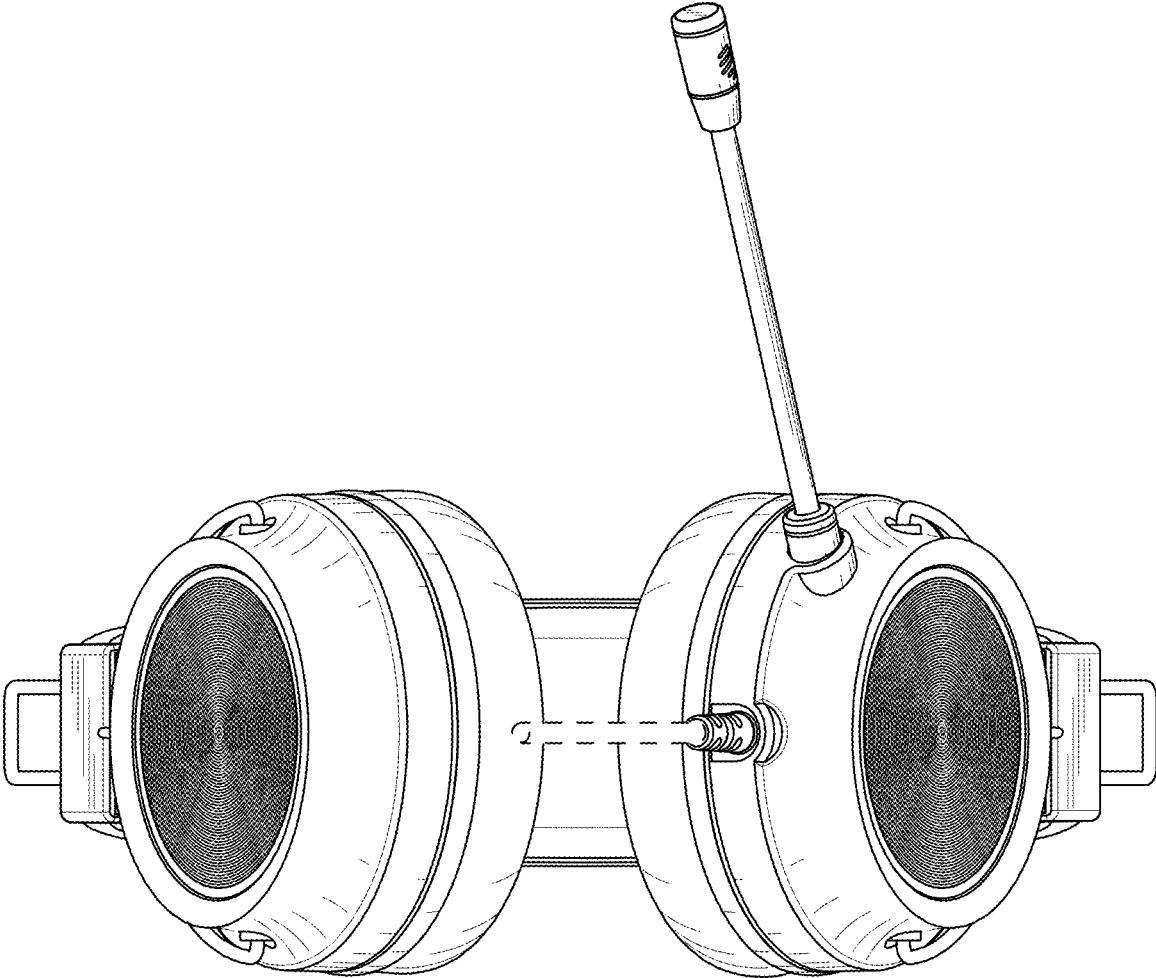


FIG. 7