

(19) World Intellectual Property Organization  
International Bureau



(43) International Publication Date  
14 June 2001 (14.06.2001)

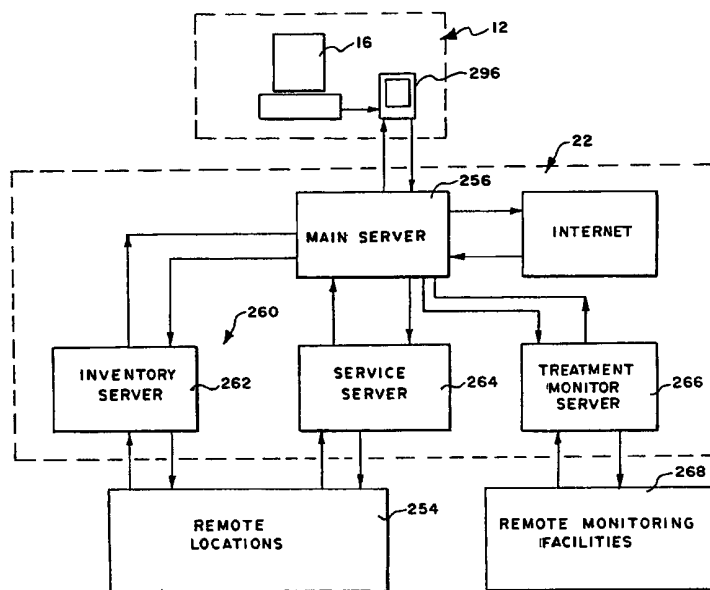
PCT

(10) International Publication Number  
WO 01/41831 A3

- (51) International Patent Classification<sup>7</sup>: A61M 37/00, 1/14, 1/34, 1/36, B01D 35/00, C02F 9/00
- (74) Agents: RYAN, Daniel, D. et al.; P.O. Box 26618, Milwaukee, WI 53226 (US).
- (21) International Application Number: PCT/US00/42364
- (81) Designated States (*national*): AE, AG, AL, AM, AT, AU, AZ, BA, BB, BG, BR, BY, BZ, CA, CH, CN, CR, CU, CZ, DE, DK, DM, DZ, EE, ES, FI, GB, GD, GE, GH, GM, HR, HU, ID, IL, IN, IS, JP, KE, KG, KP, KR, KZ, LC, LK, LR, LS, LT, LU, LV, MA, MD, MG, MK, MN, MW, MX, MZ, NO, NZ, PL, PT, RO, RU, SD, SE, SG, SI, SK, SL, TJ, TM, TR, TT, TZ, UA, UG, UZ, VN, YU, ZA, ZW.
- (22) International Filing Date:  
29 November 2000 (29.11.2000)
- (25) Filing Language: English
- (26) Publication Language: English
- (84) Designated States (*regional*): ARIPO patent (GH, GM, KE, LS, MW, MZ, SD, SL, SZ, TZ, UG, ZW), Eurasian patent (AM, AZ, BY, KG, KZ, MD, RU, TJ, TM), European patent (AT, BE, CH, CY, DE, DK, ES, FI, FR, GB, GR, IE, IT, LU, MC, NL, PT, SE, TR), OAPI patent (BF, BJ, CF, CG, CI, CM, GA, GN, GW, ML, MR, NE, SN, TD, TG).
- (30) Priority Data:  
09/451,238 29 November 1999 (29.11.1999) US  
09/513,771 25 February 2000 (25.02.2000) US
- (71) Applicant: NXSTAGE MEDICAL, INC. [US/US]; 3  
Highwood Drive, Tewksburg, MA 01876 (US).
- Published:  
— with international search report

- (72) Inventors: BURBANK, Jeffrey, H.; 18 Sunrise Road, Boxford, MA 01921 (US). TREU, Dennis, M.; 8 Twin Brook Lane, Bedford, NH 03110 (US). FULKERSON, Barry, N.; 833 Incurrigible Circle, Longmont, CO 80504 (US). WHITE, Steven, A.; 91 Brigham Street, Hudson, MA 01749 (US).
- (88) Date of publication of the international search report:  
28 March 2002
- For two-letter codes and other abbreviations, refer to the "Guidance Notes on Codes and Abbreviations" appearing at the beginning of each regular issue of the PCT Gazette.

(54) Title: INTERACTIVE SYSTEMS AND METHODS FOR SUPPORTING HEMOFILTRATION THERAPIES



(57) Abstract: A hemofiltration machine (16) at a local treatment site (14) is linked to a remote main data base server (256) by a local transmitting/receiving device (296). The machine acts as a satellite of the main data base server. The machine performs specified therapy tasks while monitoring basic safety functions and providing the person at the treatment location notice of safety alarm conditions for resolution. Otherwise, the machine transmits procedure data to the main data base server. The main data base server, remote from the machine, controls the processing and distribution of the data, including the flow of information and data to the person undergoing therapy.



WO 01/41831 A3

# INTERNATIONAL SEARCH REPORT

International application No.

PCT/US00/42364

**A. CLASSIFICATION OF SUBJECT MATTER**

IPC(7) : A61M 37/00, 1/14, 1/34, 1/36; B01D 35/00; C02F 9/00  
 US CL : 604/4.01, 6.09; 210/256, 258, 929; 422/44

According to International Patent Classification (IPC) or to both national classification and IPC

**B. FIELDS SEARCHED**

Minimum documentation searched (classification system followed by classification symbols)  
 U.S. : Please See Continuation Sheet

Documentation searched other than minimum documentation to the extent that such documents are included in the fields searched

Electronic data base consulted during the international search (name of data base and, where practicable, search terms used) server, on-line, telemetry, data link, transmitting, receiving, off-site, hemofiltration, chassis

**C. DOCUMENTS CONSIDERED TO BE RELEVANT**

Category *	Citation of document, with indication, where appropriate, of the relevant passages	Relevant to claim No.
Y	US 4,464,172 A (LICHTENSTEIN) 07 August 1984 entire document.	1-35
Y	US 5,006,110 A (GARRISON et al.) 09 April 1991, entire document.	29-35
Y	US 5,762,805 A (TRUITT et al.) 09 June 1998, entire document.	1-38
Y	US 5,871,465 A (VASKO) 16 Feb. 1999, entire document.	1-21, 26, 27, 28, 33

Further documents are listed in the continuation of Box C.

See patent family annex.

\* Special categories of cited documents:

- "A" document defining the general state of the art which is not considered to be of particular relevance
- "E" earlier application or patent published on or after the international filing date
- "L" document which may throw doubts on priority claim(s) or which is cited to establish the publication date of another citation or other special reason (as specified)
- "O" document referring to an oral disclosure, use, exhibition or other means
- "P" document published prior to the international filing date but later than the priority date claimed

- "T" later document published after the international filing date or priority date and not in conflict with the application but cited to understand the principle or theory underlying the invention
- "X" document of particular relevance; the claimed invention cannot be considered novel or cannot be considered to involve an inventive step when the document is taken alone
- "Y" document of particular relevance; the claimed invention cannot be considered to involve an inventive step when the document is combined with one or more other such documents, such combination being obvious to a person skilled in the art
- "&" document member of the same patent family

Date of the actual completion of the international search

24 June 2001 (24.06.2001)

Date of mailing of the international search report

29 OCT 2001

Name and mailing address of the ISA/US

Commissioner of Patents and Trademarks  
 Box PCT  
 Washington, D.C. 20231

Facsimile No. (703)305-3230

Authorized officer

*Patricia M. Blanco*

Telephone No. (703) 305-1482

# INTERNATIONAL SEARCH REPORT

International application No.

PCT/US00/42364

**Continuation of B. FIELDS SEARCHED Item 1:** 604/4.01, 5.01-.04, 6.09, 6.1, 6.11, 6.15-.16; 607/30, 31, 35, 59, 60, 62-64, 104, 105, 106; 128/903-905; 700/236-37; 422/44, 48, 68.1, 82.13; 210/645-47, 650-51, 739, 741, 767, 252, 256, 257.1, 258, 198.1, 322, 323.1, 342, 348, 416.1, 418, 433.1, 929; 705/1-4