



US00D815766S

(12) **United States Design Patent** (10) **Patent No.:** **US D815,766 S**  
**Park et al.** (45) **Date of Patent:** **\*\* Apr. 17, 2018**

(54) **REAR LAMP FOR VEHICLES**  
(71) Applicant: **KIA MOTORS CORPORATION**,  
Seoul (KR)  
(72) Inventors: **Yong Woo Park**, Hwaseong-si (KR);  
**Sung Hoon Ahn**, Hwaseong-si (KR)  
(73) Assignee: **Kia Motors Corporation**, Seoul (KR)  
(\*\*) Term: **15 Years**  
(21) Appl. No.: **35/502,091**  
(22) Filed: **Jun. 14, 2016**  
(80) **Hague Agreement Data**  
Int. Filing Date: **Jun. 14, 2016**  
Int. Reg. No.: **DM/091329**  
Int. Reg. Date: **Jun. 14, 2016**  
Int. Reg. Pub. Date: **Dec. 16, 2016**

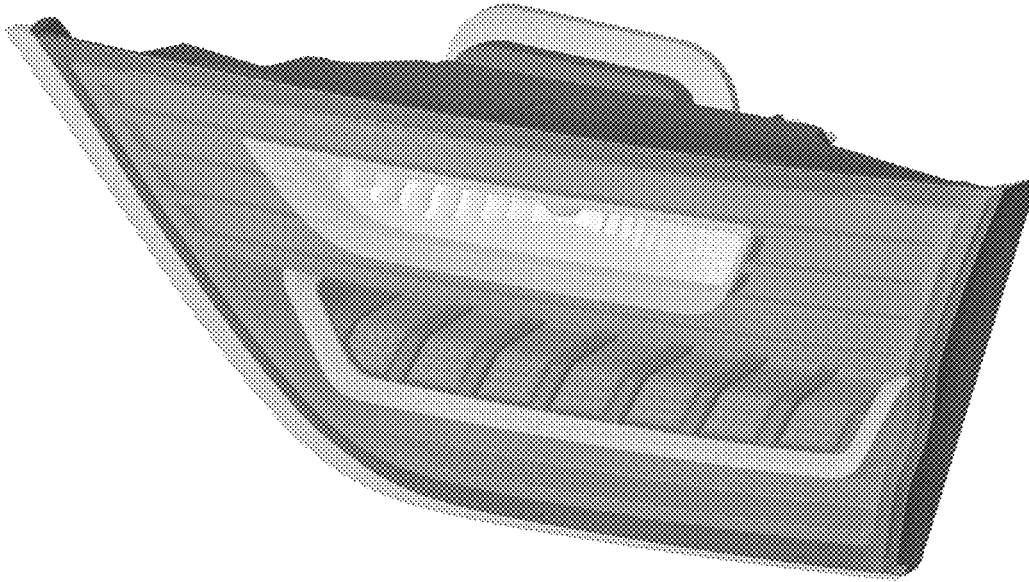
(30) **Foreign Application Priority Data**  
Jan. 26, 2017 (KR) ..... 30-2015-0064596  
(51) **LOC (11) Cl.** ..... **26-06**  
(52) **U.S. Cl.**  
USPC ..... **D26/28**  
(58) **Field of Classification Search**  
USPC ..... D26/28-36  
CPC ..... F21S 48/00; F21S 48/10; F21S 48/115;  
F21S 48/225; F21S 48/1233; F21S  
48/1266; F21S 48/1388; F21S 48/2268;  
F21V 21/04; B60Q 1/30; B60Q 1/2607;  
B60Q 1/2696; B62J 6/00; B62J 6/04  
See application file for complete search history.

(56) **References Cited**  
U.S. PATENT DOCUMENTS  
D655,429 S \* 3/2012 Fushimi ..... D26/28  
D657,482 S \* 4/2012 Kong ..... D26/28  
D690,849 S \* 10/2013 Kawaguchi ..... D26/28  
D690,850 S \* 10/2013 Hanaoka ..... D26/28  
D692,599 S \* 10/2013 Kim ..... D26/28  
D701,631 S \* 3/2014 Goto ..... D26/28  
D716,478 S \* 10/2014 Loeb ..... D26/28  
D798,477 S \* 9/2017 Lai ..... D26/28  
D799,077 S \* 10/2017 Lai ..... D26/28  
\* cited by examiner

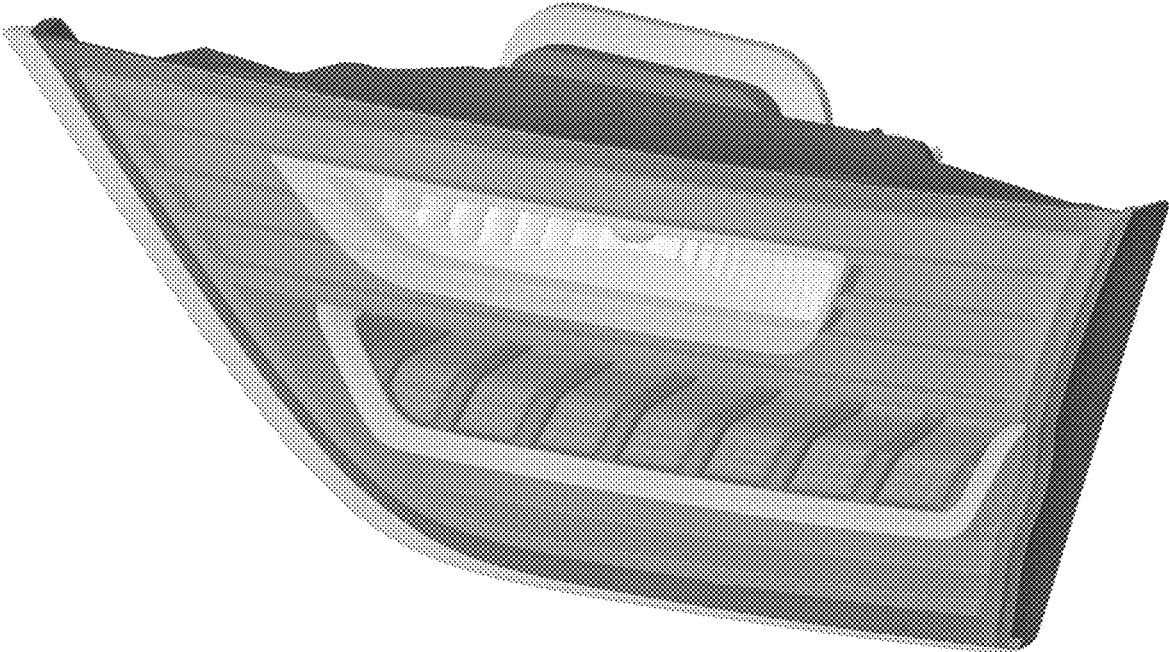
*Primary Examiner* — Zenia Bennett  
(74) *Attorney, Agent, or Firm* — Mintz Levin Cohn Ferris  
Glovsky and Popeo, P.C.; Kongsik Kim

(57) **CLAIM**  
The ornamental design for a rear lamp for vehicles, as shown  
and described.

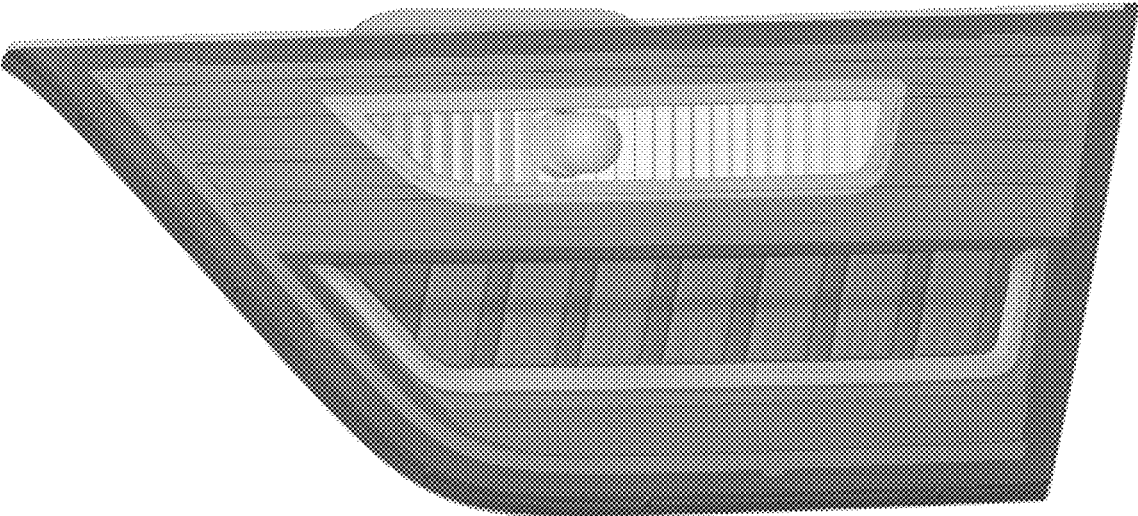
**DESCRIPTION**  
1. Rear lamp for vehicles  
**1.1** : Perspective  
**1.2** : Front  
**1.3** : Back  
**1.4** : Left  
**1.5** : Right  
**1.6** : Top  
**1.7** : Bottom  
**1 Claim, 7 Drawing Sheets**



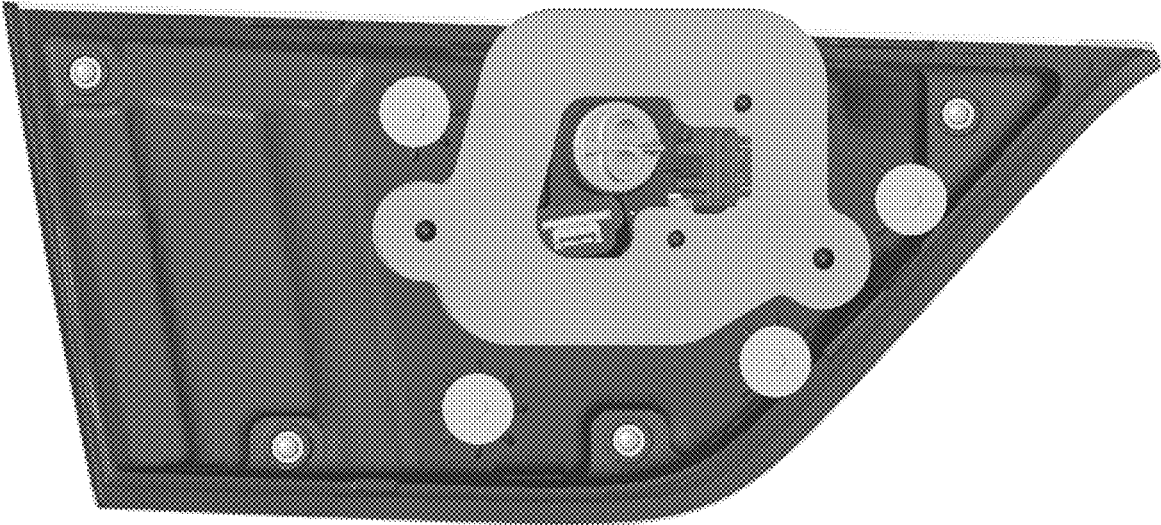
1.1



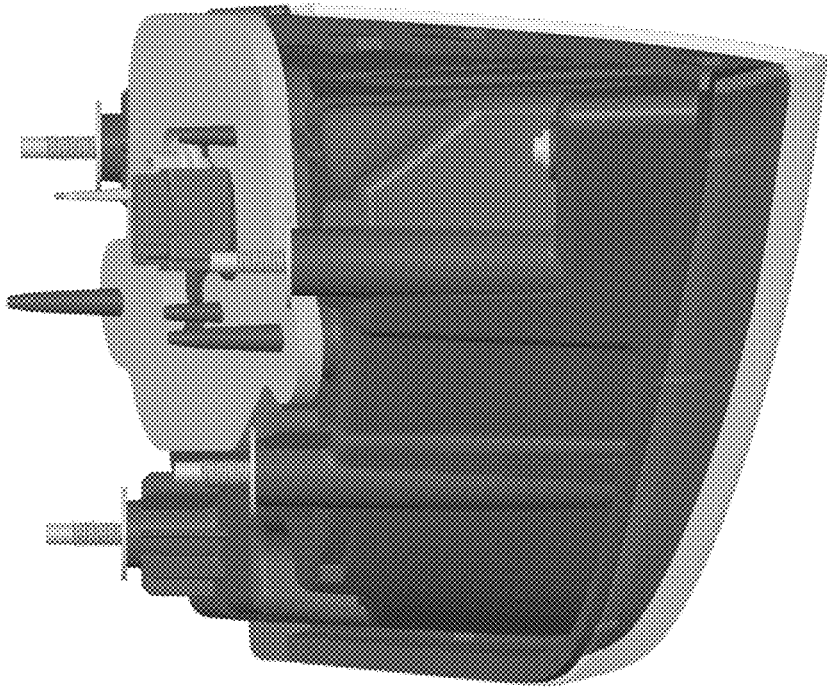
1.2



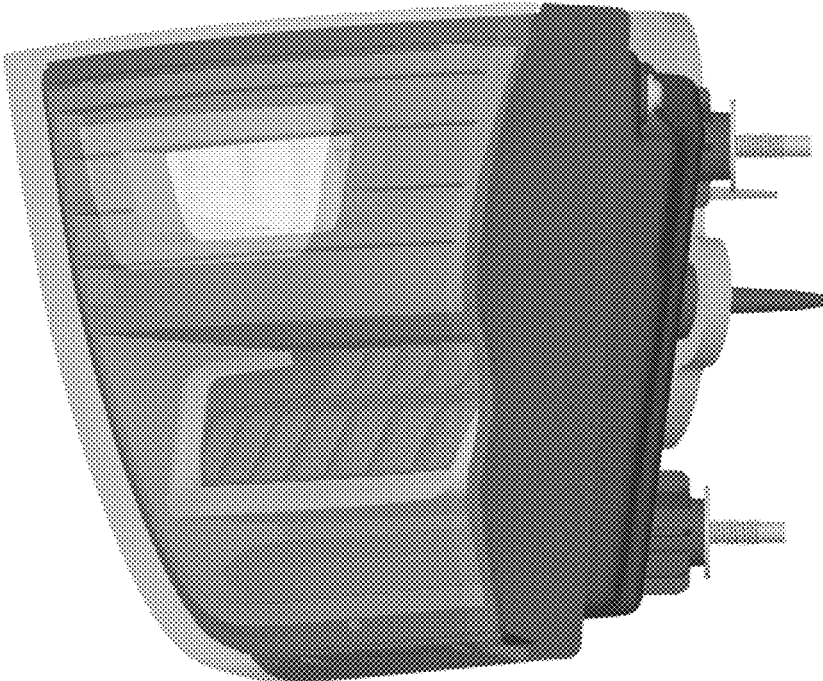
1.3



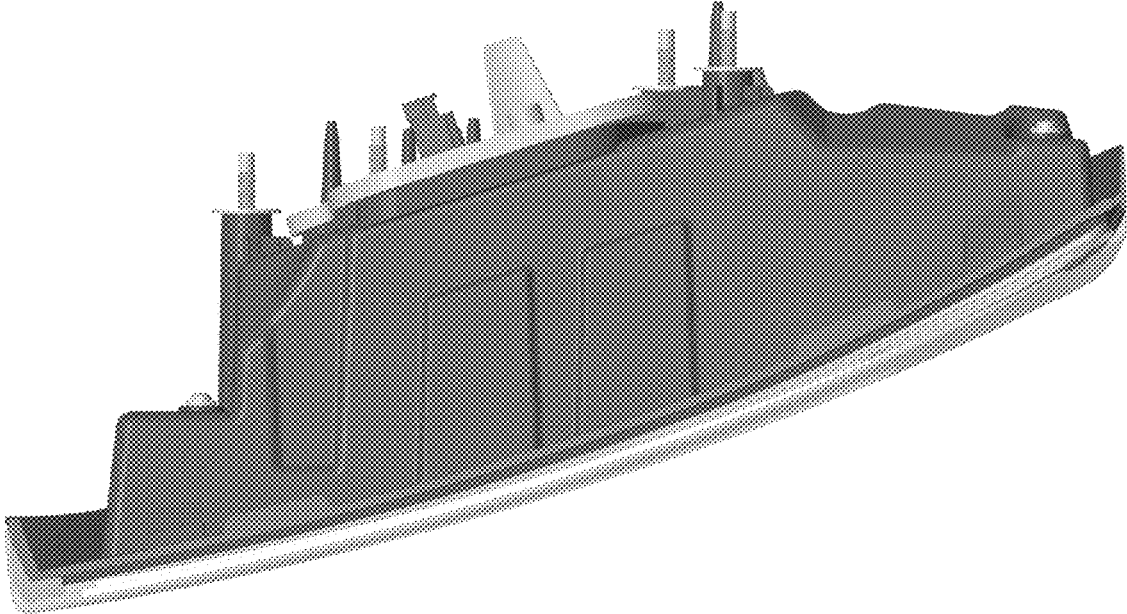
1.4



1.5



1.6



1.7

