

[54] **COMBINED DESK, LOCKER AND BUNK BED UNIT**

[75] Inventor: **Charles M. Lewis, Blue Bell, Pa.**

[73] Assignee: **Procurement Management Services, Inc., Bala Cynwyd, Pa.**

[**] Term: **7 Years**

[21] Appl. No.: **815,979**

[22] Filed: **Jul. 15, 1977**

[51] Int. Cl. **D6-05**

[52] U.S. Cl. **D6/4; D6/80; D6/162; D6/165; D6/168**

[58] Field of Search **D6/79, 80, 1, 4, 158-170, D6/181, 186, 189, 190; 5/2 B, 2 R, 9 R, 9 B; 312/194, 196, 198, 237**

[56] **References Cited**

U.S. PATENT DOCUMENTS

| | | | |
|------------|---------|----------------------|---------|
| D. 186,448 | 10/1959 | Powell | D6/168 |
| D. 211,852 | 8/1968 | La Rocca et al. | D6/80 |
| D. 227,723 | 7/1973 | Mendlin | D6/80 |
| D. 227,725 | 7/1973 | Mendlin | D6/80 |
| D. 228,990 | 11/1973 | Villanova | D6/80 |
| 2,501,309 | 3/1950 | Braver | D6/80 X |

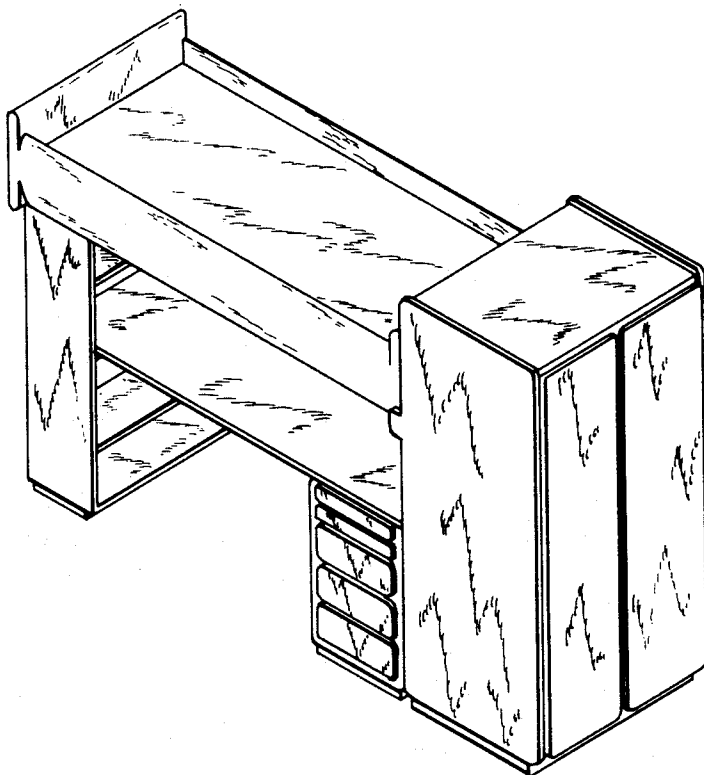
Primary Examiner—Bruce W. Dunkins
Attorney, Agent, or Firm—A. D. Caesar

[57] **CLAIM**

The ornamental design for a combined desk, locker and bunk bed unit, substantially as shown.

DESCRIPTION

FIG. 1 is a perspective view of a combined desk, locker and bunk bed unit showing my new design; FIG. 2 is a front elevational view thereof; FIG. 3 is a rear elevational view thereof; FIG. 4 is a top plan view thereof; FIG. 5 is a bottom plan view thereof; FIG. 6 is a left side elevational view thereof; and FIG. 7 is a right side elevational view thereof.



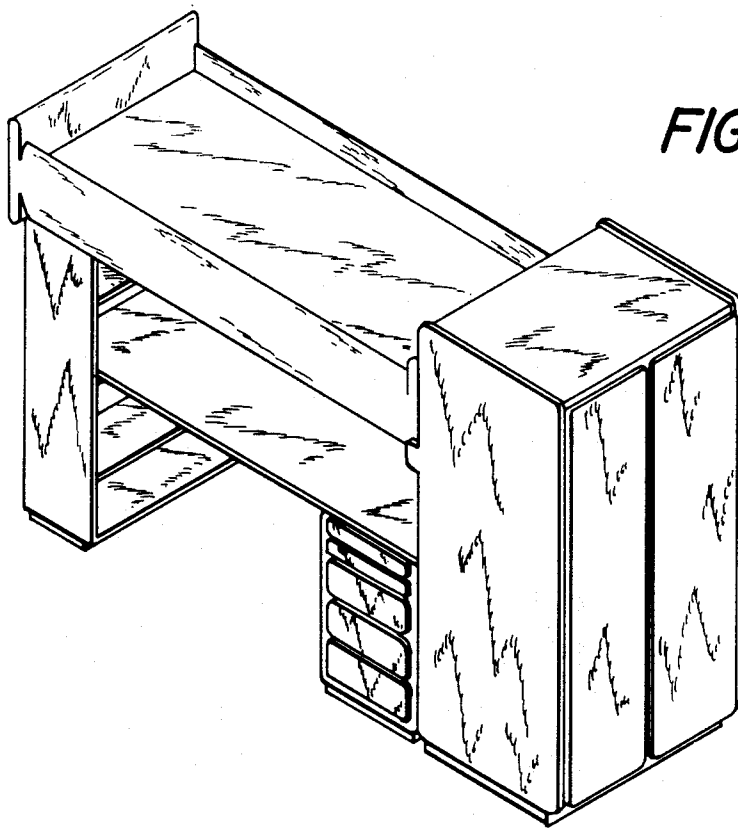


FIG. 1



FIG. 6

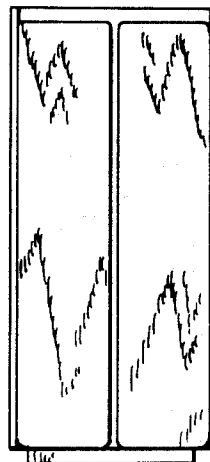


FIG. 7

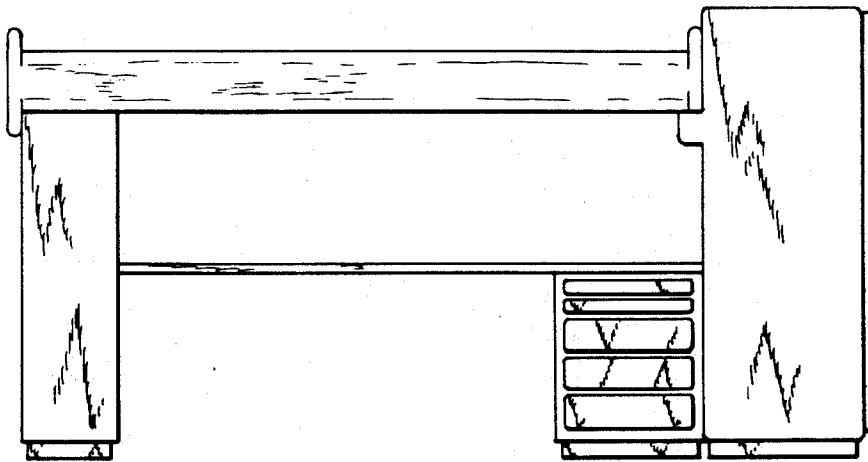


FIG. 2

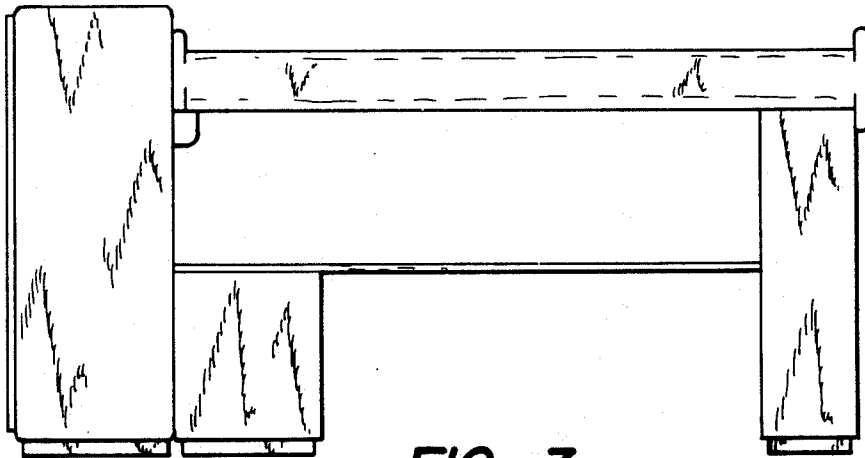


FIG. 3

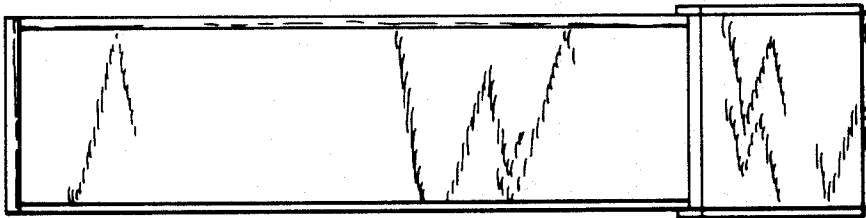


FIG. 4

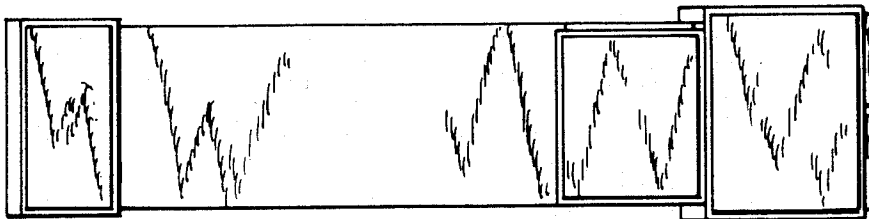


FIG. 5