

(19) World Intellectual Property Organization
International Bureau



(43) International Publication Date
14 June 2007 (14.06.2007)

PCT

(10) International Publication Number
WO 2007/067847 A3

(51) International Patent Classification:
B05C 11/02 (2006.01)

(21) International Application Number:

PCT/US2006/061031

(22) International Filing Date:

17 November 2006 (17.11.2006)

(25) Filing Language:

English

(26) Publication Language:

English

(30) Priority Data:

11/296,249 7 December 2005 (07.12.2005) US

(71) Applicant (for all designated States except US): **BECKMAN COULTER, INC.** [US/US]; 4300 N. Harbor Blvd., Mail Code A-42-C, Fullerton, CA 92834 (US).

(72) Inventor: **TAPPEN, Frank, M.**; 6261 S.W. 16 Street, Plantation, FL 33317 (US).

(74) Agent: **ALTER, Mitchell, E.**; Beckman Coulter, Inc., P.O. Box 169015, Mail Code 32-A02, Miami, FL 33116-9015 (US).

(81) Designated States (unless otherwise indicated, for every kind of national protection available): AE, AG, AL, AM,

AT, AU, AZ, BA, BB, BG, BR, BW, BY, BZ, CA, CH, CN, CO, CR, CU, CZ, DE, DK, DM, DZ, EC, EE, EG, ES, FI, GB, GD, GE, GH, GM, GT, HN, HR, HU, ID, IL, IN, IS, JP, KE, KG, KM, KN, KP, KR, KZ, LA, LC, LK, LR, LS, LT, LU, LV, LY, MA, MD, MG, MK, MN, MW, MX, MY, MZ, NA, NG, NI, NO, NZ, OM, PG, PH, PL, PT, RO, RS, RU, SC, SD, SE, SG, SK, SL, SM, SV, SY, TJ, TM, TN, TR, TT, TZ, UA, UG, US, UZ, VC, VN, ZA, ZM, ZW.

(84) Designated States (unless otherwise indicated, for every kind of regional protection available): ARIPO (BW, GH, GM, KE, LS, MW, MZ, NA, SD, SL, SZ, TZ, UG, ZM, ZW), Eurasian (AM, AZ, BY, KG, KZ, MD, RU, TJ, TM), European (AT, BE, BG, CH, CY, CZ, DE, DK, EE, ES, FI, FR, GB, GR, HU, IE, IS, IT, LT, LU, LV, MC, NL, PL, PT, RO, SE, SI, SK, TR), OAPI (BF, BJ, CF, CG, CI, CM, GA, GN, GQ, GW, ML, MR, NE, SN, TD, TG).

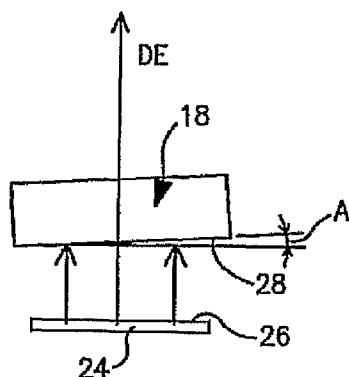
Published:

- with international search report
- before the expiration of the time limit for amending the claims and to be republished in the event of receipt of amendments

(88) Date of publication of the international search report:
1 November 2007

For two-letter codes and other abbreviations, refer to the "Guidance Notes on Codes and Abbreviations" appearing at the beginning of each regular issue of the PCT Gazette.

(54) Title: DEVICE FOR AUTOMATIC PREPARATION OF BLOOD SMEARS ON PLATES



(57) Abstract: A device for automatic preparation of blood smears on plates comprises a spreading unit that spreads a drop of sample blood on individual plates in order to produce a regularly distributed blood smear on each plate. After the blood smear is dried, the plate is passed to a fixative bath filled with a fixative agent. Following submersion of the dried blood in the fixative agent, the plate is then removed from the fixative bath and delivered to a revolving stainer. The revolving stainer processes the plate and colors the blood smear on the plate. The revolving stainer is separate from the fixative bath and moves independent of the fixative bath. After the plate is processed in the stainer, the plate having a colored blood smear is unloaded from the device. A robotic pick and place is used to move the plate between the conveyor, fixative bath and revolving stainer.

WO 2007/067847 A3

INTERNATIONAL SEARCH REPORT

International application No.

PCT/US 06/61031

A. CLASSIFICATION OF SUBJECT MATTER

IPC(8) - B05C 11/02 (2007.01)

USPC - 118/100

According to International Patent Classification (IPC) or to both national classification and IPC

B. FIELDS SEARCHED

Minimum documentation searched (classification system followed by classification symbols)

USPC - 118/100

Documentation searched other than minimum documentation to the extent that such documents are included in the fields searched
USPC - 210/623; 210/625 and all relevant classifications (text search, see terms below)

Electronic data base consulted during the international search (name of data base and, where practicable, search terms used)

PubWEST(USPT,PGPB,EPAB,JPAB); DialogPRO(Engineering); Google Scholar
Search Terms: automatic, blood smear, plate, bath, conveyor, stainer

C. DOCUMENTS CONSIDERED TO BE RELEVANT

Category*	Citation of document, with indication, where appropriate, of the relevant passages	Relevant to claim No.
Y	US 6,319,470 B1 (Lefevre et al.) 20 November 2001 (20.11.2001), entire document especially abstract, col 3, ln 15-20 and col 6, ln 15-35	1-20
Y	US 4,883,642 A (Bisconte) 28 November 1989 (28.11.1989), col 8, ln 19-25	1-20

Further documents are listed in the continuation of Box C.

* Special categories of cited documents:

"A" document defining the general state of the art which is not considered to be of particular relevance

"E" earlier application or patent but published on or after the international filing date

"L" document which may throw doubts on priority claim(s) or which is cited to establish the publication date of another citation or other special reason (as specified)

"O" document referring to an oral disclosure, use, exhibition or other means

"P" document published prior to the international filing date but later than the priority date claimed

"T" later document published after the international filing date or priority date and not in conflict with the application but cited to understand the principle or theory underlying the invention

"X" document of particular relevance; the claimed invention cannot be considered novel or cannot be considered to involve an inventive step when the document is taken alone

"Y" document of particular relevance; the claimed invention cannot be considered to involve an inventive step when the document is combined with one or more other such documents, such combination being obvious to a person skilled in the art

"&" document member of the same patent family

Date of the actual completion of the international search

21 May 2007 (21.05.2007)

Date of mailing of the international search report

11 SEP 2007

Name and mailing address of the ISA/US

Mail Stop PCT, Attn: ISA/US, Commissioner for Patents
P.O. Box 1450, Alexandria, Virginia 22313-1450
Facsimile No. 571-273-3201

Authorized officer:

Lee W. Young

PCT Helpdesk: 571-272-4300
PCT OSP: 571-272-7774