



US00D433771S

United States Patent [19]

[11] Patent Number: **Des. 433,771**

Hiller et al.

[45] Date of Patent: **** Nov. 14, 2000**

[54] **OUTDOOR LAMP BASE**

[75] Inventors: **Raymond J. Hiller**, Chapel Hill;
Michael Drake, Stoney Creek, both of
N.C.

[73] Assignee: **Regent Lighting Corporation**,
Burlington, N.C.

[**] Term: **14 Years**

[21] Appl. No.: **29/110,213**

[22] Filed: **Sep. 1, 1999**

[51] **LOC (7) Cl.** **26-99**

[52] **U.S. Cl.** **D26/142**

[58] **Field of Search** D10/106; D26/60-66,
D26/118; 362/267, 271, 272, 275, 276,
288, 427, 428, 429, 384, 432, 418, 419,
394

[56]

References Cited

U.S. PATENT DOCUMENTS

D. 399,022	9/1998	Jensen et al.	D26/142
5,258,899	11/1993	Chen	362/394
5,381,323	1/1995	Osteen et al.	362/394 X

Primary Examiner—Susan J. Lucas

Attorney, Agent, or Firm—Niro, Scavone, Haller & Niro

[57]

CLAIM

We claim the ornamental design for an outdoor lamp base, as shown and described.

DESCRIPTION

FIG. 1 is a perspective view of the new design;

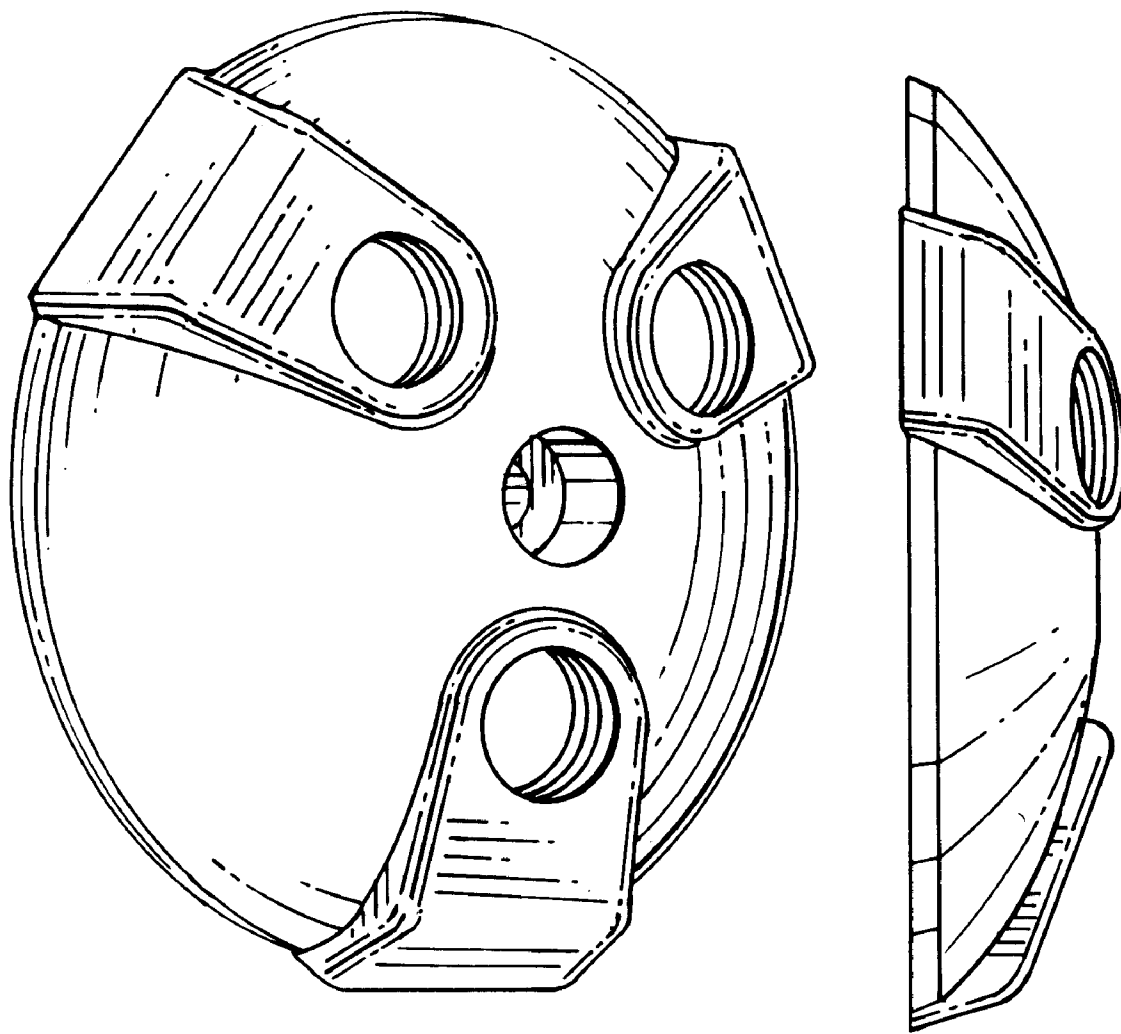
FIG. 2 is a top plan view thereof;

FIG. 3 is a side elevational view thereof;

FIG. 4 is a front plan view thereof; and,

FIG. 5 is a bottom plan view thereof.

1 Claim, 1 Drawing Sheet



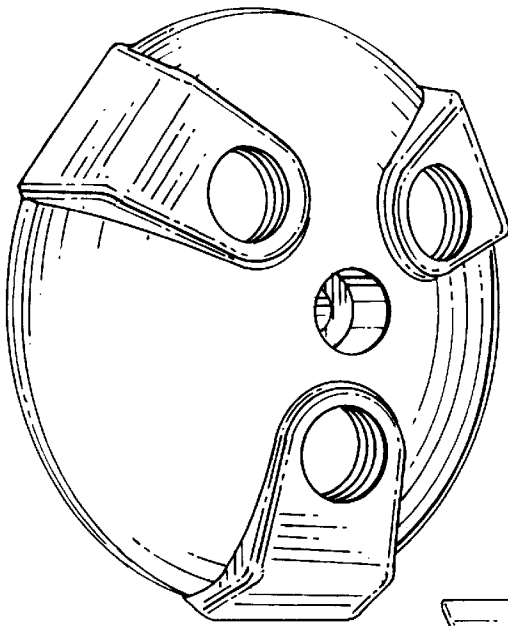


FIG. 1

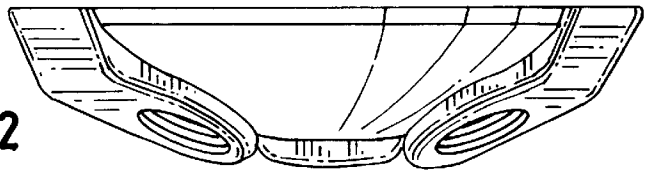


FIG. 2

FIG. 3

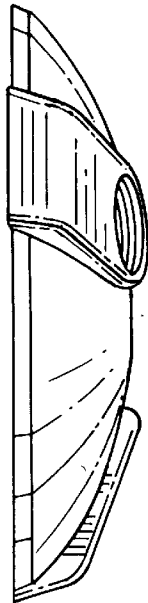


FIG. 4

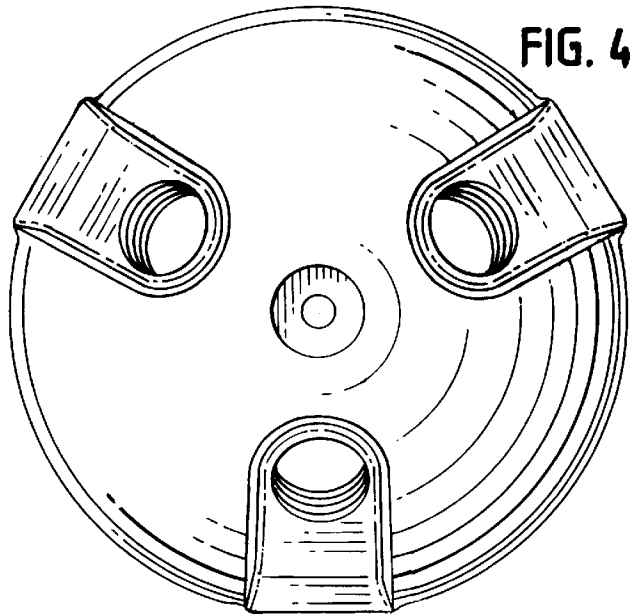


FIG. 5

