



US00D535774S

(12) **United States Design Patent**
Weston et al.

(10) **Patent No.:** **US D535,774 S**

(45) **Date of Patent:** **** Jan. 23, 2007**

- (54) **LIGHTING DEVICE HOUSING**
- (75) Inventors: **Adrian Weston**, Burnaby (CA); **Eddie Young**, Richmond (CA); **George E. Matheson**, North Vancouver (CA)
- (73) Assignee: **TIR Systems Ltd.**, British Columbia (CA)
- (**) Term: **14 Years**

4,277,817 A *	7/1981	Hehr	362/628
D291,602 S *	8/1987	Dacanay	D26/24
D291,926 S *	9/1987	Schlepp	D26/67
4,835,661 A *	5/1989	Fogelberg et al.	362/97
5,183,324 A *	2/1993	Thomas	362/103
6,203,172 B1 *	3/2001	Wanuch et al.	362/260
6,848,806 B2 *	2/2005	Yoshida et al.	362/147
2004/0114357 A1 *	6/2004	Dalton et al.	362/190

* cited by examiner

Primary Examiner—Clare E Heflin

(21) Appl. No.: **29/195,086**

(57) **CLAIM**

(22) Filed: **Dec. 8, 2003**

The ornamental design for a lighting device housing, as shown and described.

(51) **LOC (8) CL.** **26-05**

(52) **U.S. CL.** **D26/72; D26/61**

(58) **Field of Classification Search** D26/24,
D26/72, 61, 63; 362/604, 605, 608, 632,
362/147, 151, 153, 153.1, 269, 285, 287,
362/290, 293

DESCRIPTION

See application file for complete search history.

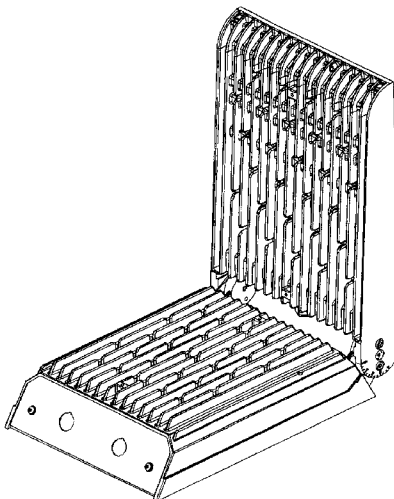
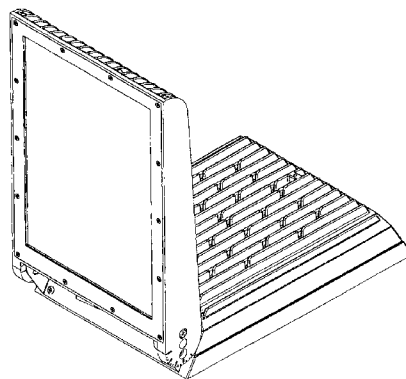
FIG. 1 is a front perspective view of the lighting device housing showing our new design;
 FIG. 2 is a rear perspective view thereof;
 FIG. 3 is a front view thereof;
 FIG. 4 is a right side view thereof;
 FIG. 5 is a top view thereof; and,
 FIG. 6 is a front perspective view of the lighting device housing showing an alternate view of our new design.

(56) **References Cited**

U.S. PATENT DOCUMENTS

D205,624 S *	8/1966	Pritchett	D26/24
D221,474 S *	8/1971	Gore	D26/24

1 Claim, 6 Drawing Sheets



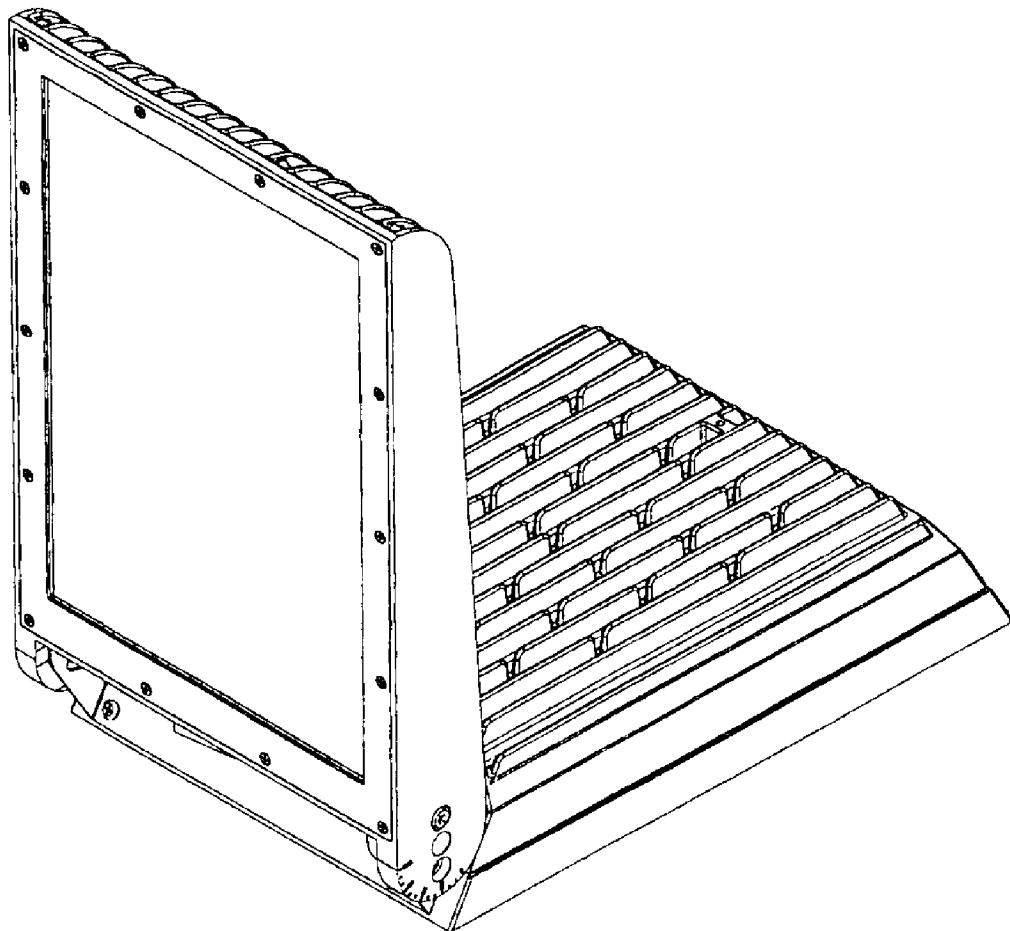


FIGURE 1

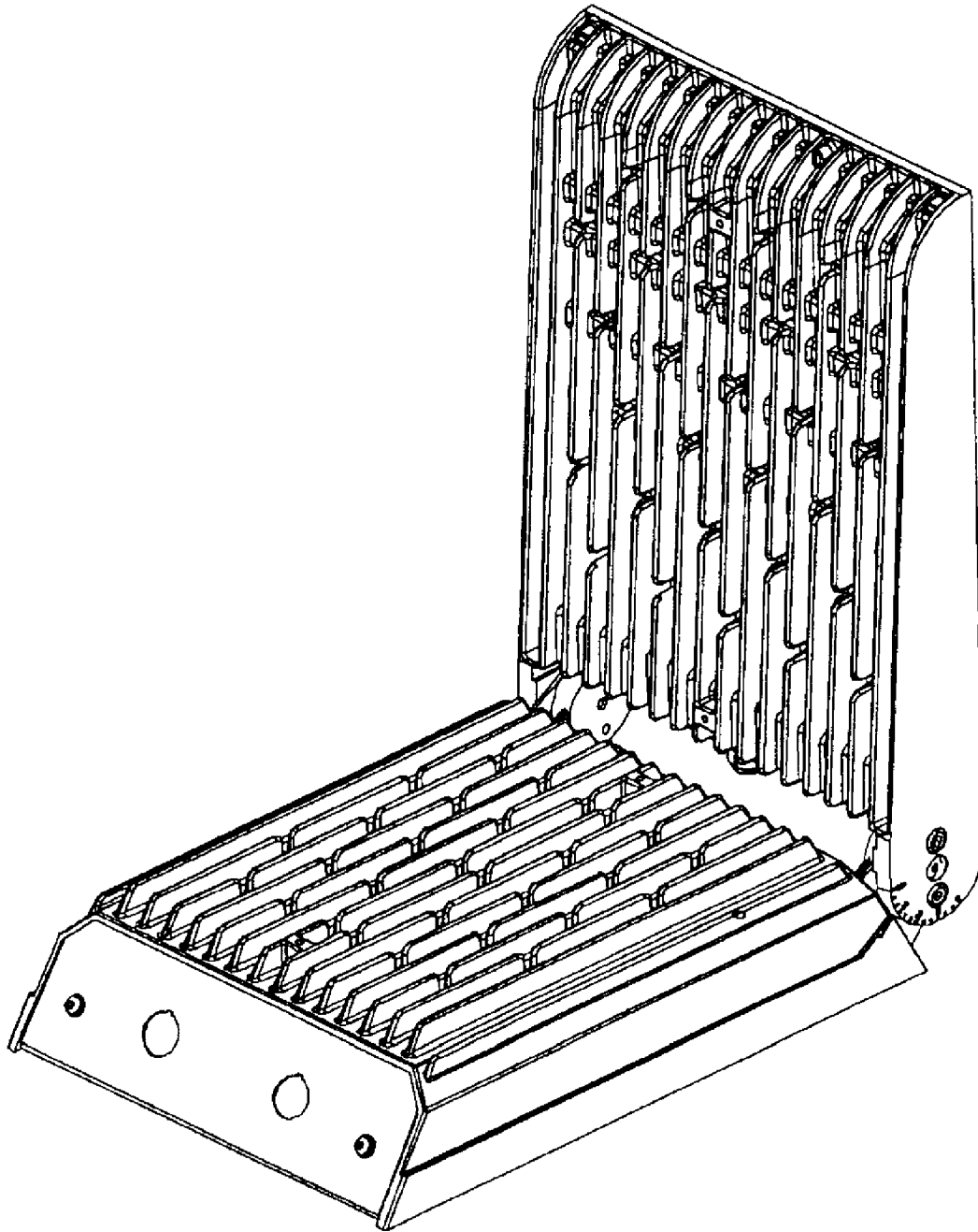


FIGURE 2

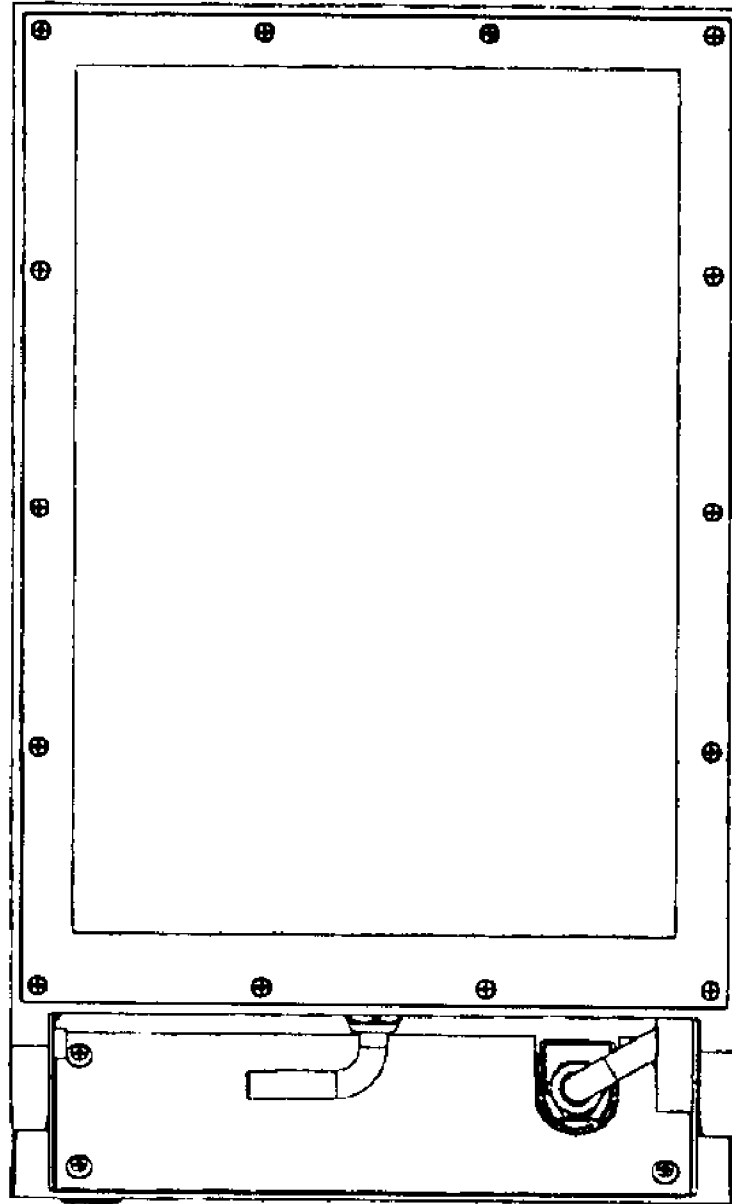


FIGURE 3

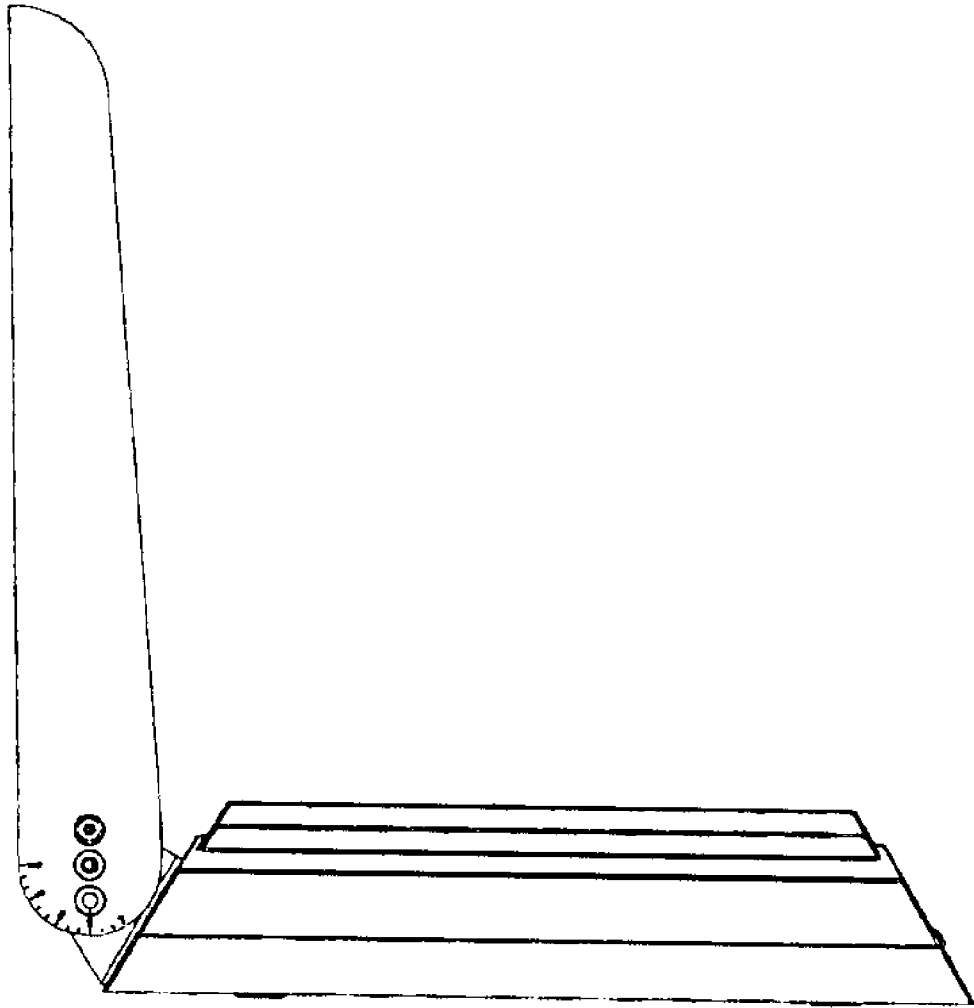


FIGURE 4

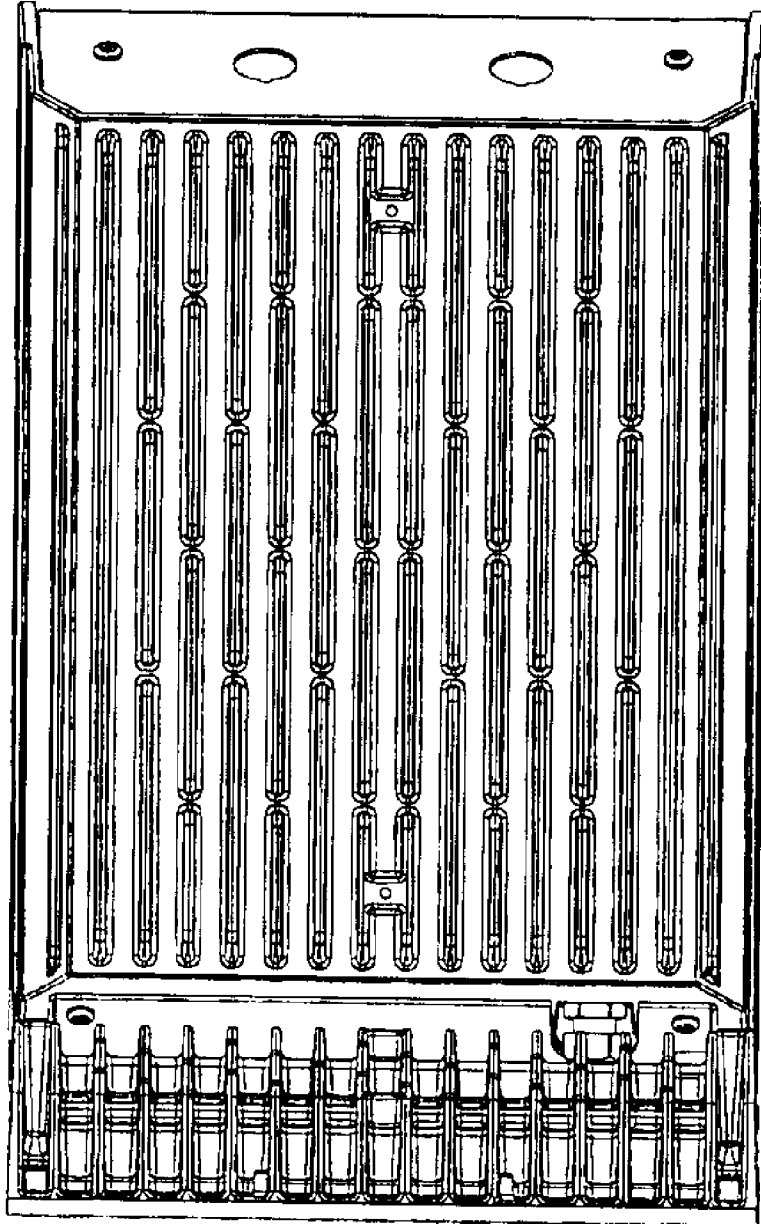


FIGURE 5

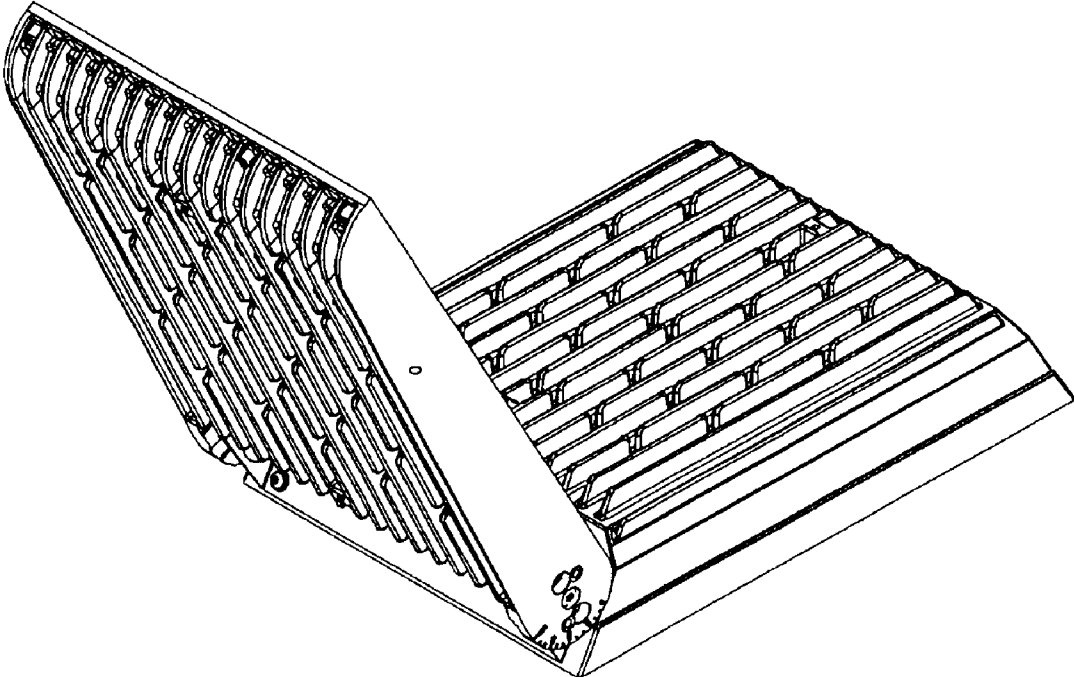


FIGURE 6