



(12) **United States Design Patent**  
**Chen**

(10) **Patent No.:** **US D1,002,223 S**  
(45) **Date of Patent:** **\*\* Oct. 24, 2023**

(54) **BED FRAME CONNECTOR SET**

**DESCRIPTION**

(71) Applicant: **Xueling Chen**, Xiamen (CN)

(72) Inventor: **Xueling Chen**, Xiamen (CN)

(\*\*) Term: **15 Years**

(21) Appl. No.: **29/861,106**

(22) Filed: **Nov. 27, 2022**

(51) **LOC (14) Cl.** ..... **06-02**

(52) **U.S. Cl.**  
USPC ..... **D6/395**; D8/382

(58) **Field of Classification Search**  
USPC ..... D6/395, 396; D8/349, 354, 382, 394,  
D8/396; D13/133, 146; D22/142;  
D24/155; D26/72, 138  
(Continued)

(56) **References Cited**

**U.S. PATENT DOCUMENTS**

1,782,017 A \* 11/1930 Shanks ..... F16B 7/0486  
285/125.1  
3,502,357 A \* 3/1970 Wagner ..... E04F 11/1817  
285/133.11

(Continued)

**OTHER PUBLICATIONS**

Jenny Lind Kids Metal Bed Frame, available in gromcart.com, earliest available date Jun. 12, 2019 Year 2019 [online], Retrieved on Feb. 28, 2023 from URL: <https://gromcart.com/products/dhp-jenny-lind-kids-metal-bed-frame-with-headboard-twin-white> (Year: 2019).\*

(Continued)

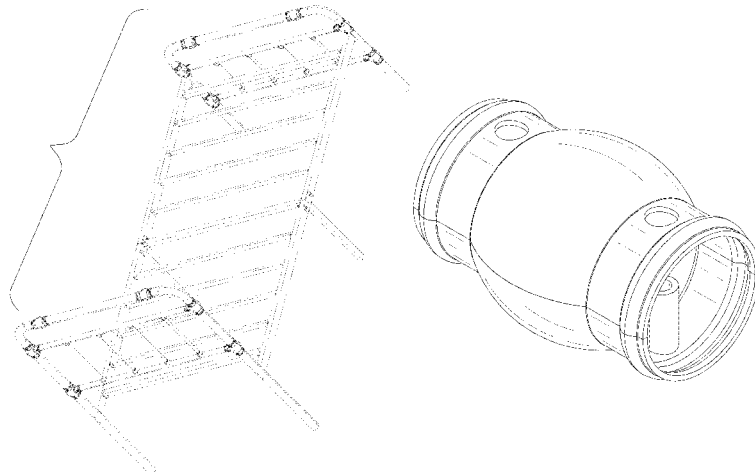
*Primary Examiner* — Susan E Krakower  
*Assistant Examiner* — Michelle M Reeves  
(74) *Attorney, Agent, or Firm* — Xiaofang Zhong

(57) **CLAIM**

The ornamental design for a bed frame connector set, as shown and described.

FIG. 1 is a perspective view of a bed frame connector set showing my new design, shown in an environment of use; FIG. 2 is another perspective view thereof, shown in an environment of use; FIG. 3 is a perspective view of one instance of the first component of the bed frame connector set, shown separately to reveal aspects of the design that are not visible in the other figures; FIG. 4 is a front elevational view thereof; FIG. 5 is a rear elevational view thereof; FIG. 6 is a left view thereof; FIG. 7 is a right view thereof; FIG. 8 is a top view thereof; FIG. 9 is a bottom view thereof; FIG. 10 is a perspective view of one instance of the second component of the bed frame connector set, shown separately to reveal aspects of the design that are not visible in the other figures; FIG. 11 is a front elevational view thereof; FIG. 12 is a rear elevational view thereof; FIG. 13 is a left view thereof; FIG. 14 is a right view thereof; FIG. 15 is a top view thereof; FIG. 16 is a bottom view thereof; FIG. 17 is a perspective view of one instance of the third component of the bed frame connector set, shown separately to reveal aspects of the design that are not visible in the other figures; FIG. 18 is a front elevational view thereof; FIG. 19 is a rear elevational view thereof; FIG. 20 is a left view thereof; FIG. 21 is a right view thereof; FIG. 22 is a top view thereof; and, FIG. 23 is a bottom view thereof. The broken lines illustrate the environment and form no part of the claimed design.

**1 Claim, 23 Drawing Sheets**



(58) **Field of Classification Search**  
 CPC ..... A47C 19/022; B64G 99/00; F16B 7/0486;  
 E04F 11/1817; B21C 37/296  
 See application file for complete search history.

(56) **References Cited**

U.S. PATENT DOCUMENTS

4,281,424 A \* 8/1981 Singer ..... A47C 19/022  
 5/310  
 D271,376 S \* 11/1983 Baroody ..... D8/382  
 D275,075 S \* 8/1984 Magner ..... D8/382  
 5,015,116 A \* 5/1991 Nardone ..... B64G 99/00  
 403/174  
 D342,891 S \* 1/1994 Marui ..... D8/396  
 D381,257 S \* 7/1997 Hirano ..... D8/382  
 D478,318 S 8/2003 Burwell et al.  
 D518,365 S 4/2006 Wamsley  
 D547,565 S \* 7/2007 Peterson ..... D6/718.21  
 D552,209 S 10/2007 Lin  
 D602,347 S \* 10/2009 Allen ..... D8/382

D628,158 S 11/2010 Skidmore et al.  
 D643,925 S 8/2011 Vaidya et al.  
 D654,353 S \* 2/2012 Tabler ..... D8/382  
 D660,046 S \* 5/2012 al-Rawi ..... D6/393  
 D742,209 S \* 11/2015 Humm ..... D8/382  
 D756,207 S 5/2016 Tamilvel et al.  
 D886,364 S 6/2020 Greenberg et al.  
 D933,994 S \* 10/2021 Li ..... D6/395  
 D968,118 S \* 11/2022 Huang ..... D6/395  
 2012/0285918 A1 \* 11/2012 Ulle ..... F16B 11/008  
 211/182

OTHER PUBLICATIONS

Benjara Industrial Style Metal Twin Size Bed with Pipe Inspired  
 Frame, available in Amazon.com, date first available Jul. 16, 2019  
 [online], Retrieved on Mar. 7, 2023 from URL: <https://www.amazon.com/Benjara-Industrial-Style-Metal-Inspired/dp/B07VC6T52K> (Year:  
 2019).\*

\* cited by examiner

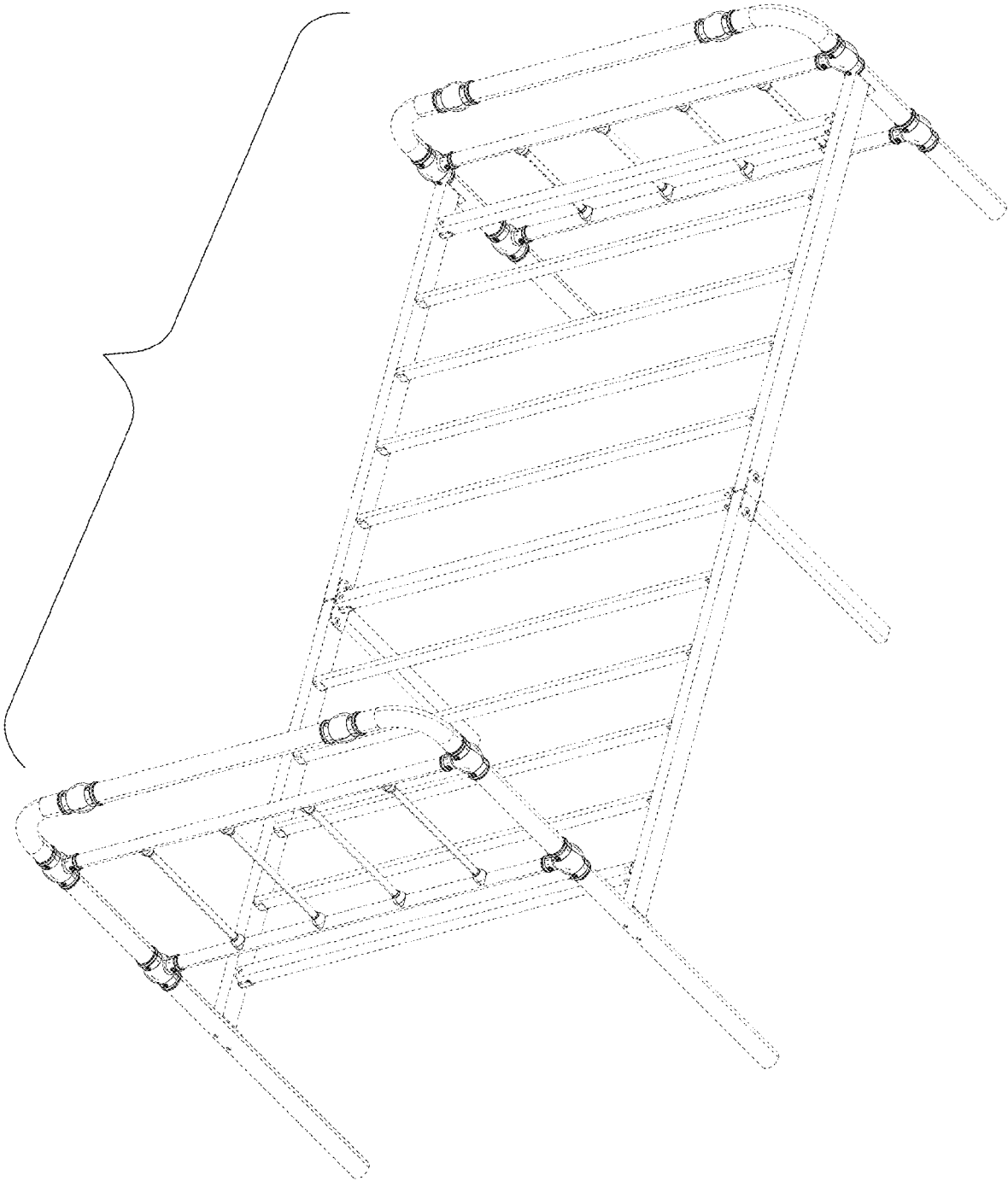


FIG. 1

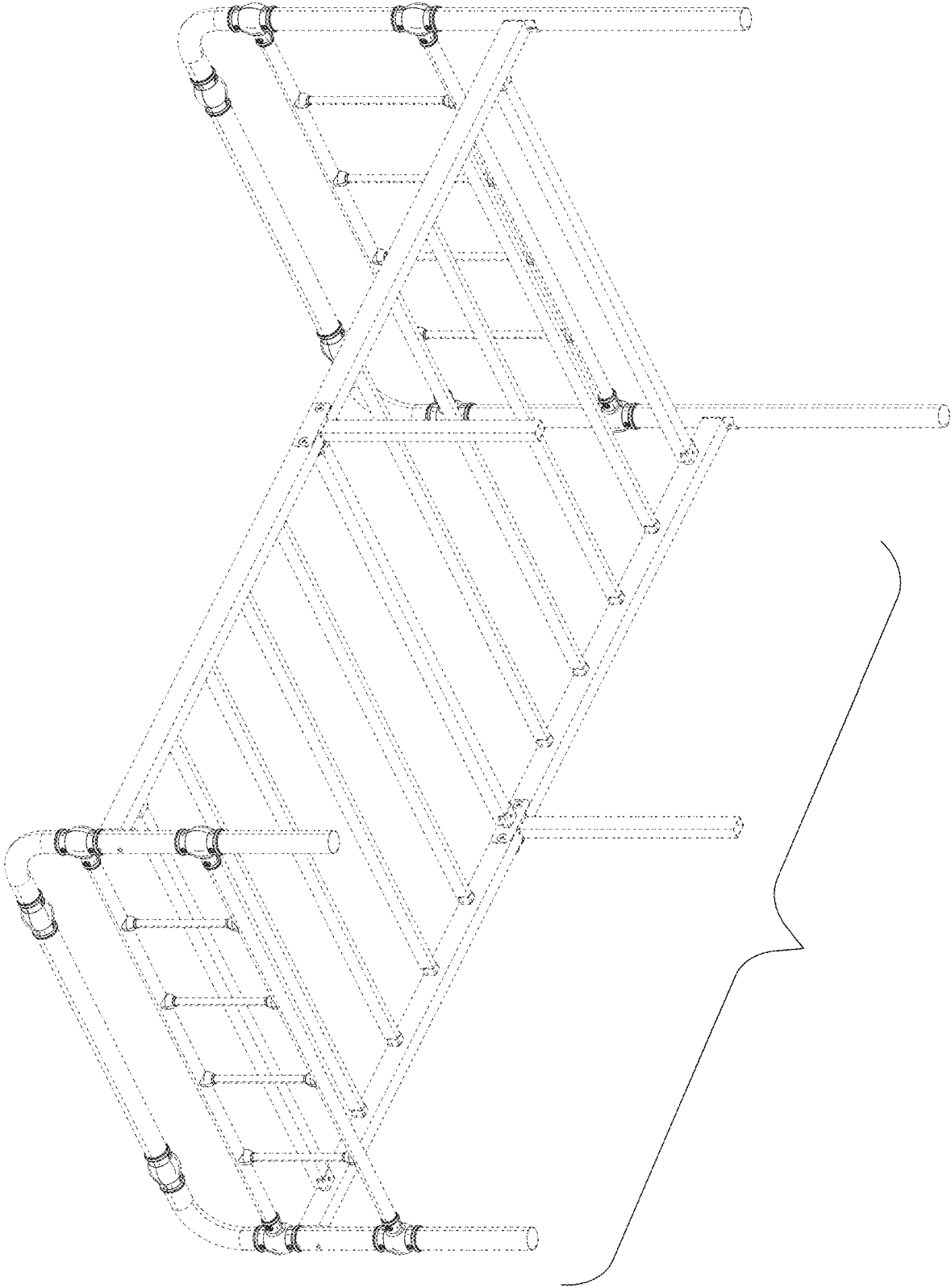


FIG. 2

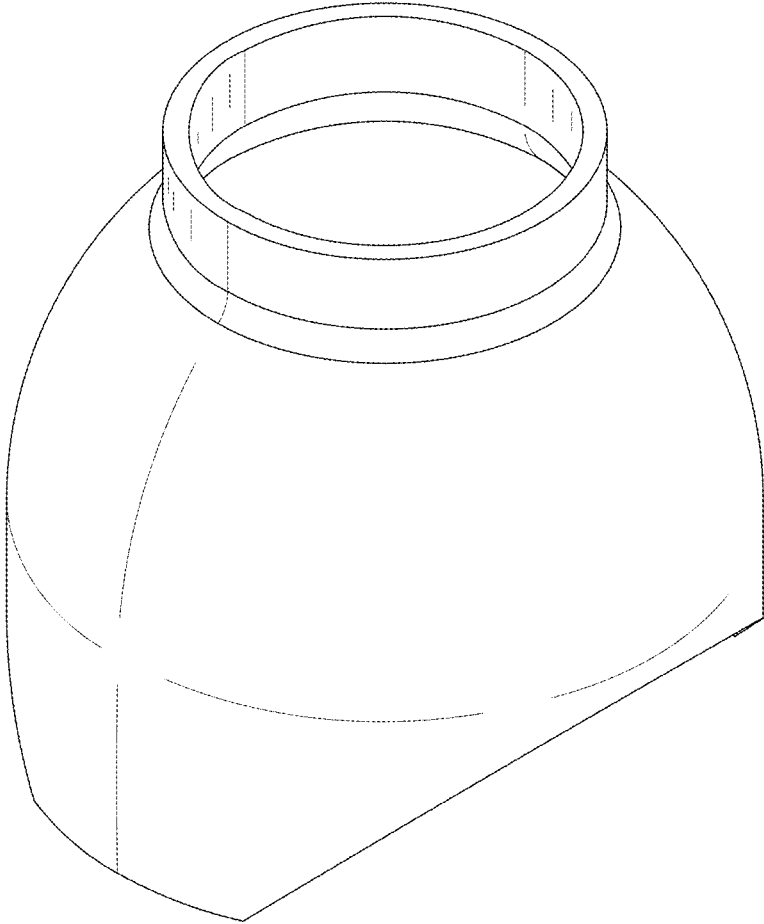


FIG. 3

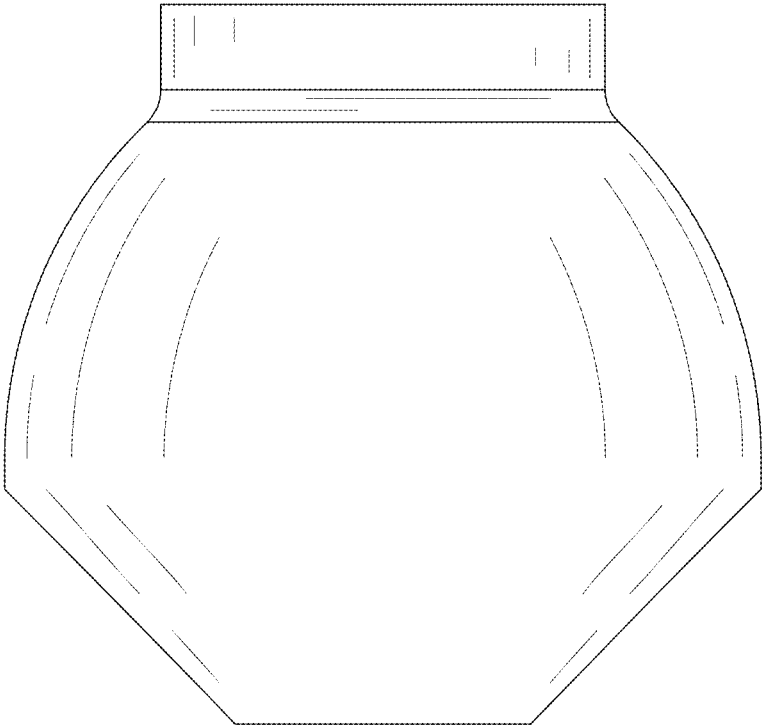


FIG. 4

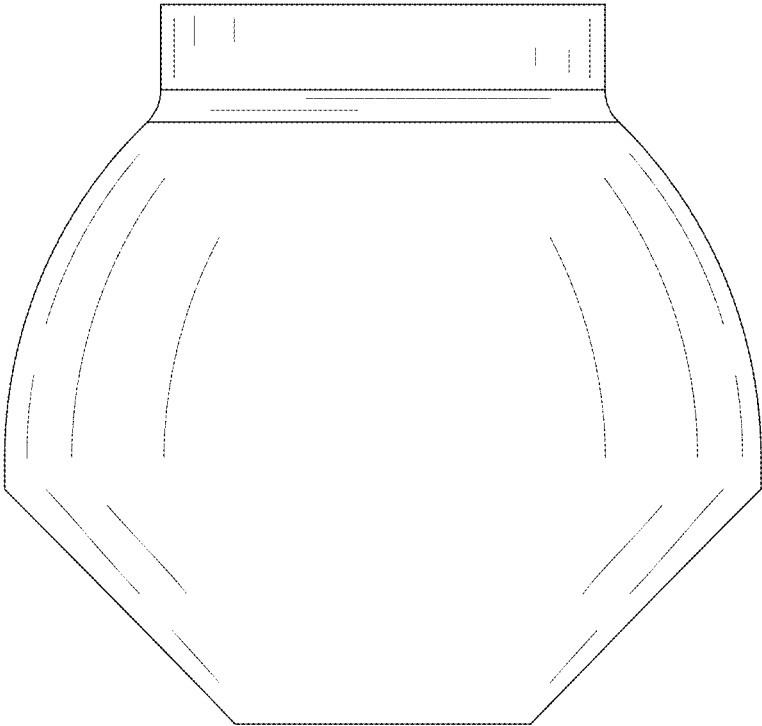


FIG. 5

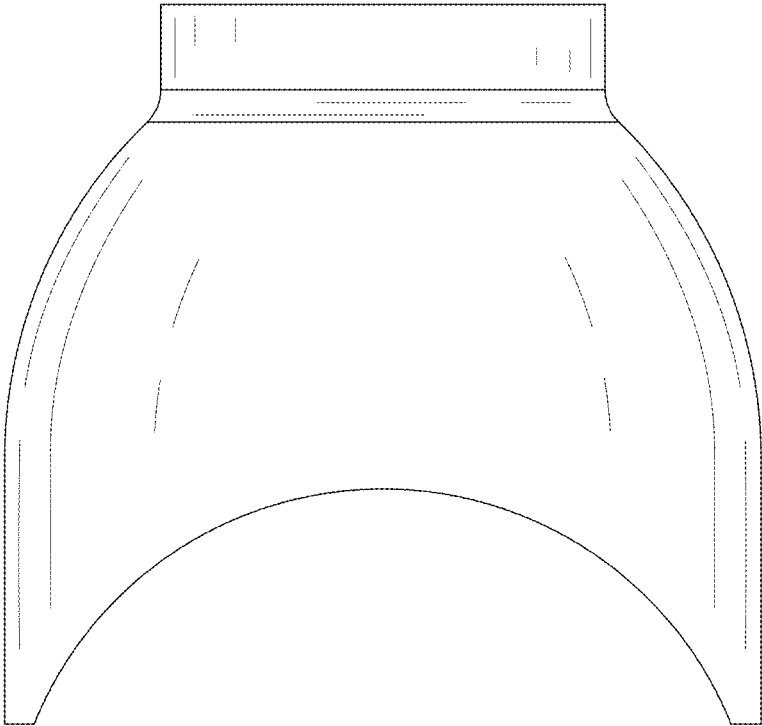


FIG. 6



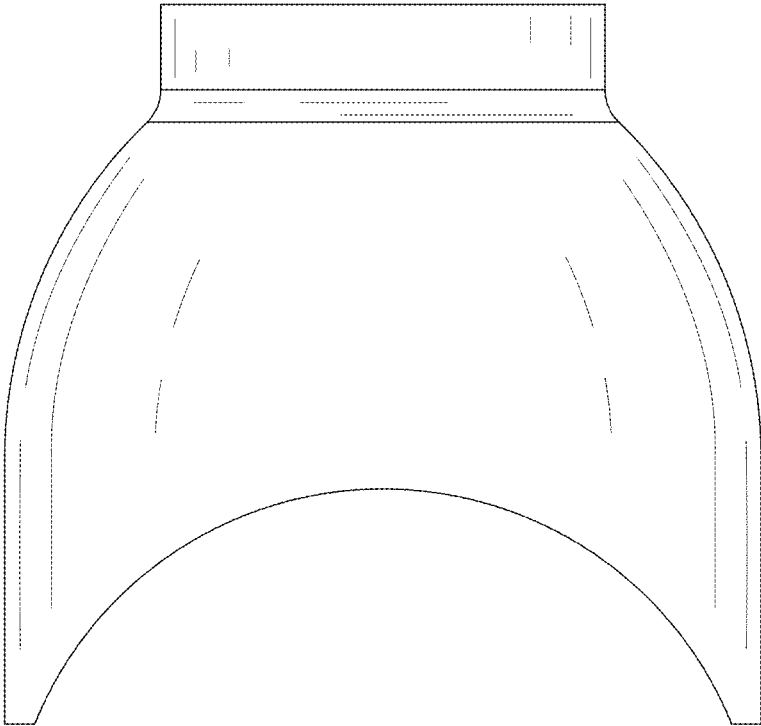


FIG. 7

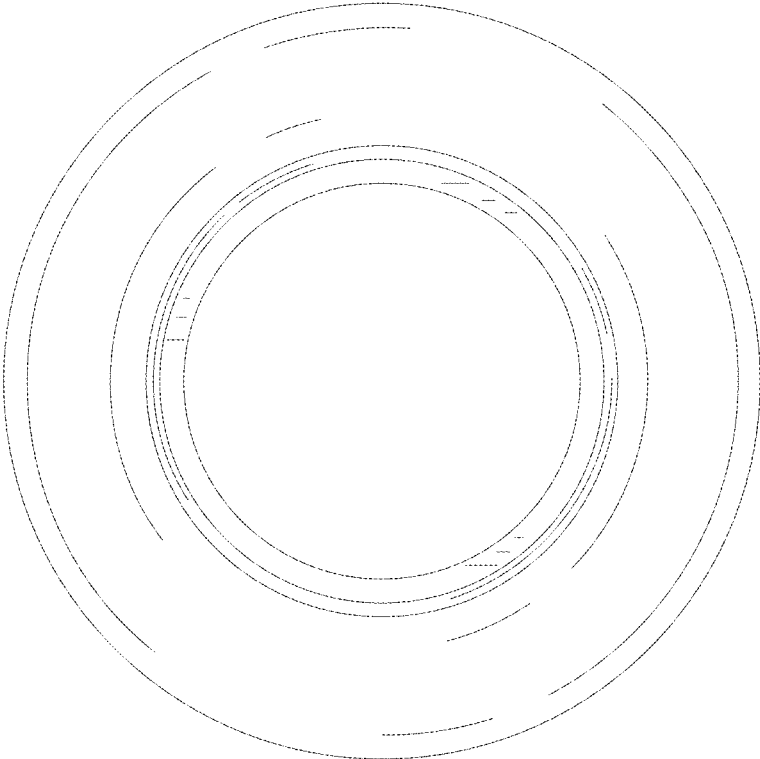


FIG. 8

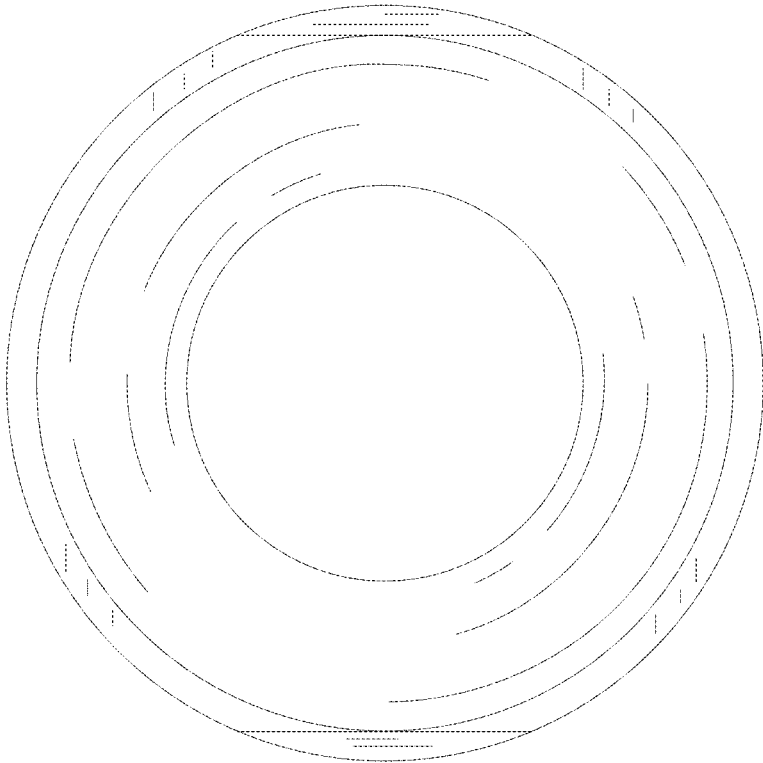


FIG. 9

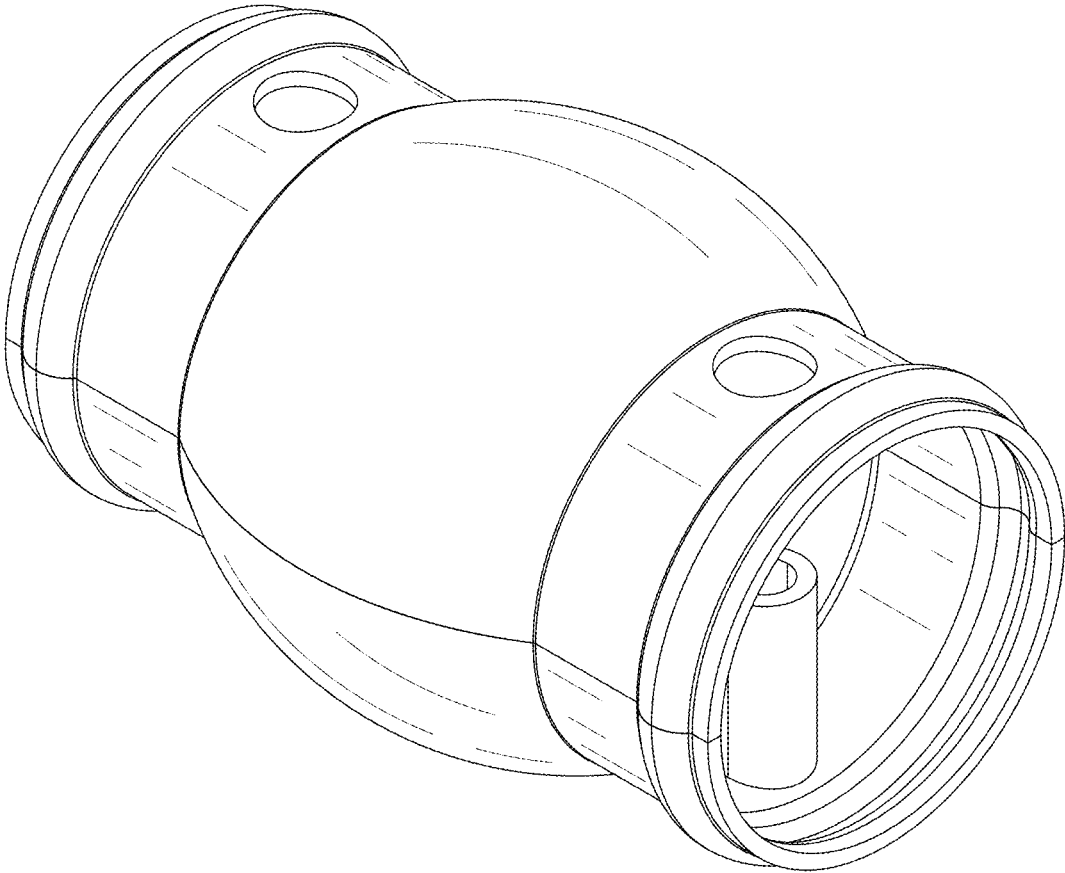


FIG. 10

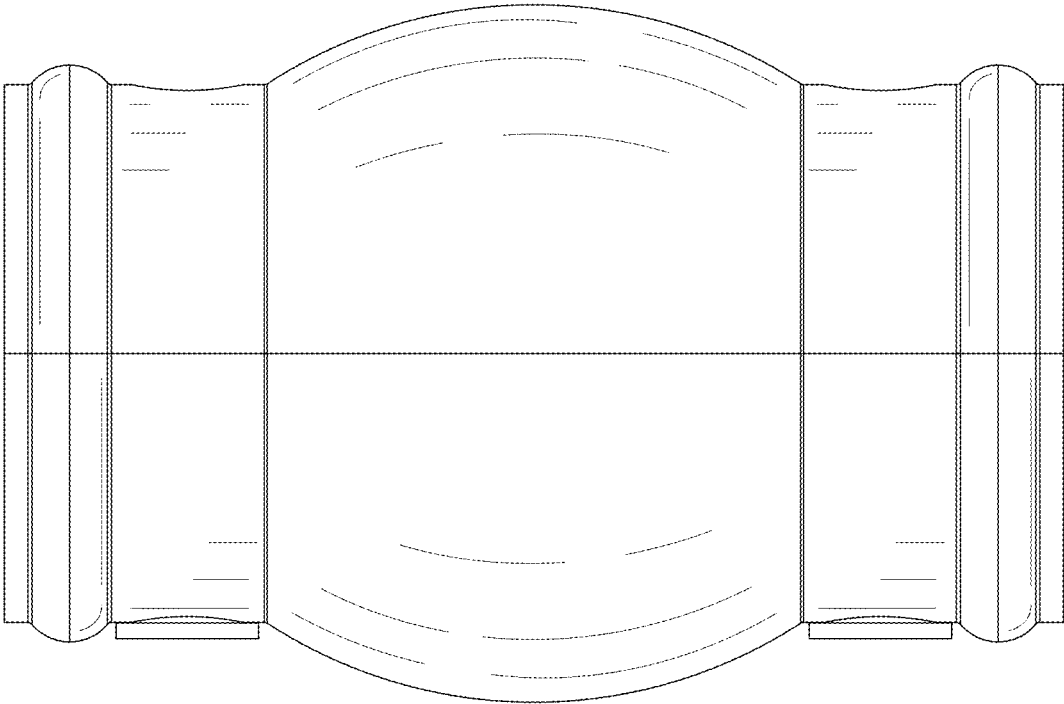


FIG. 11

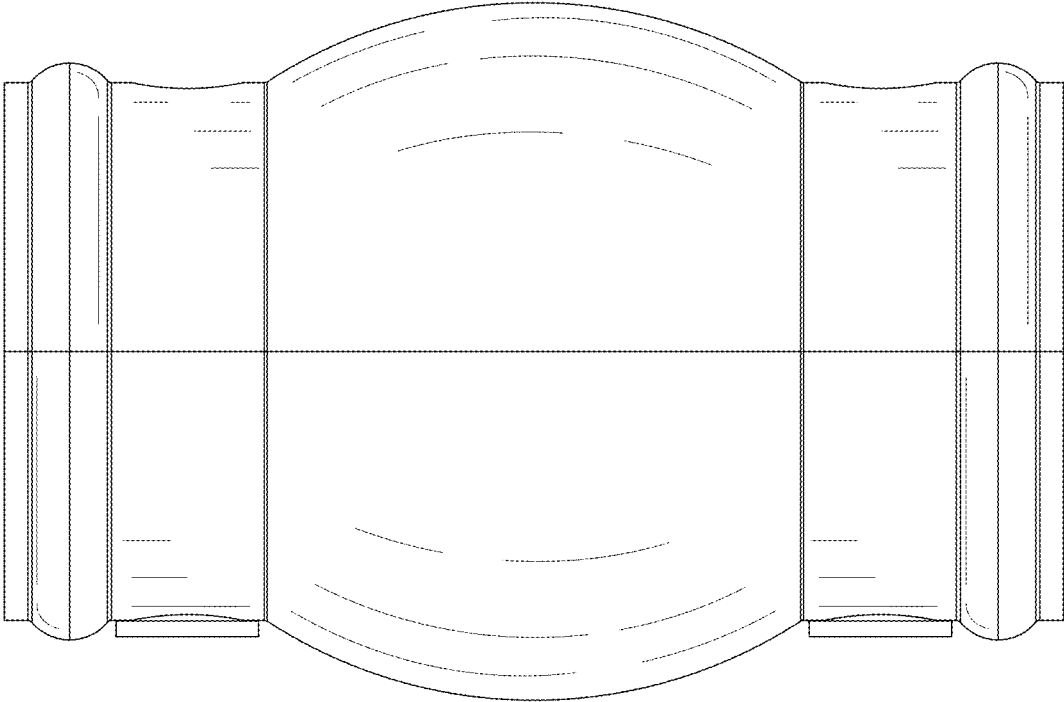


FIG. 12

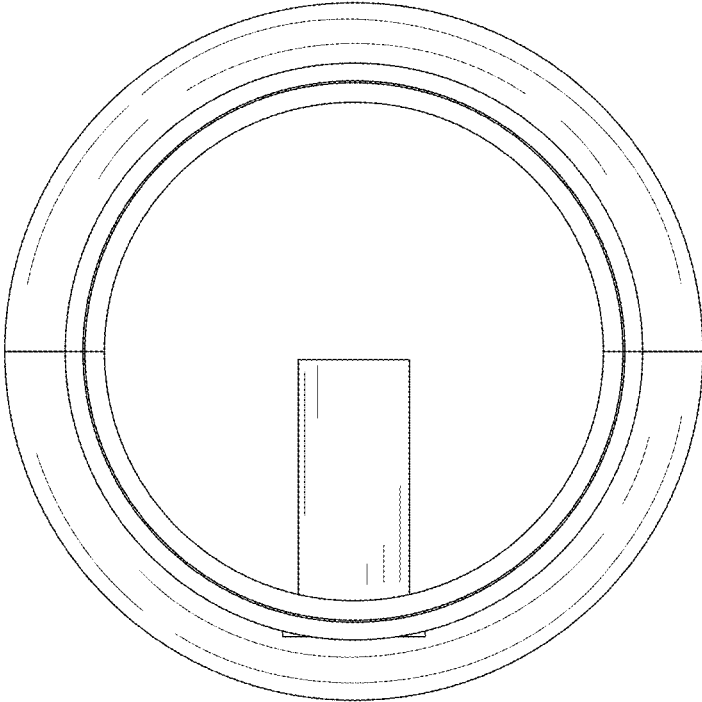


FIG. 13

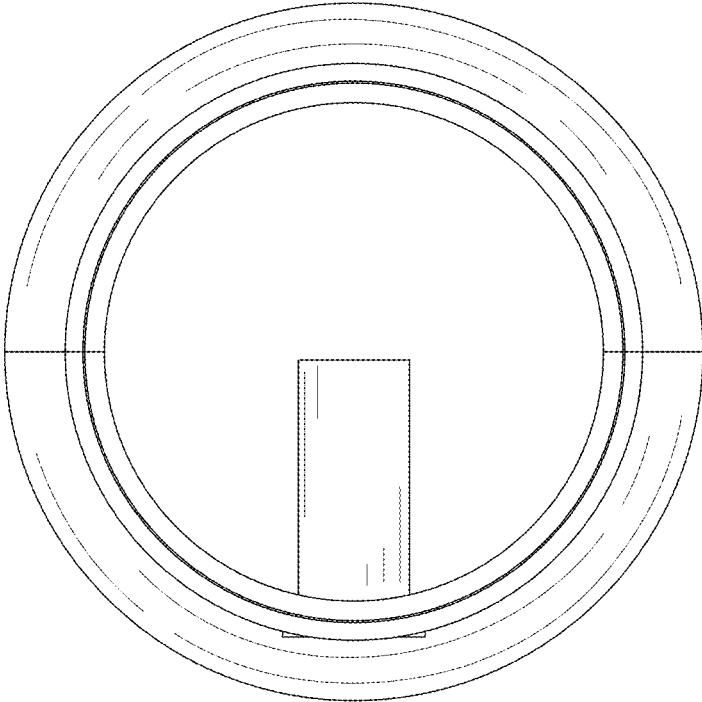


FIG. 14



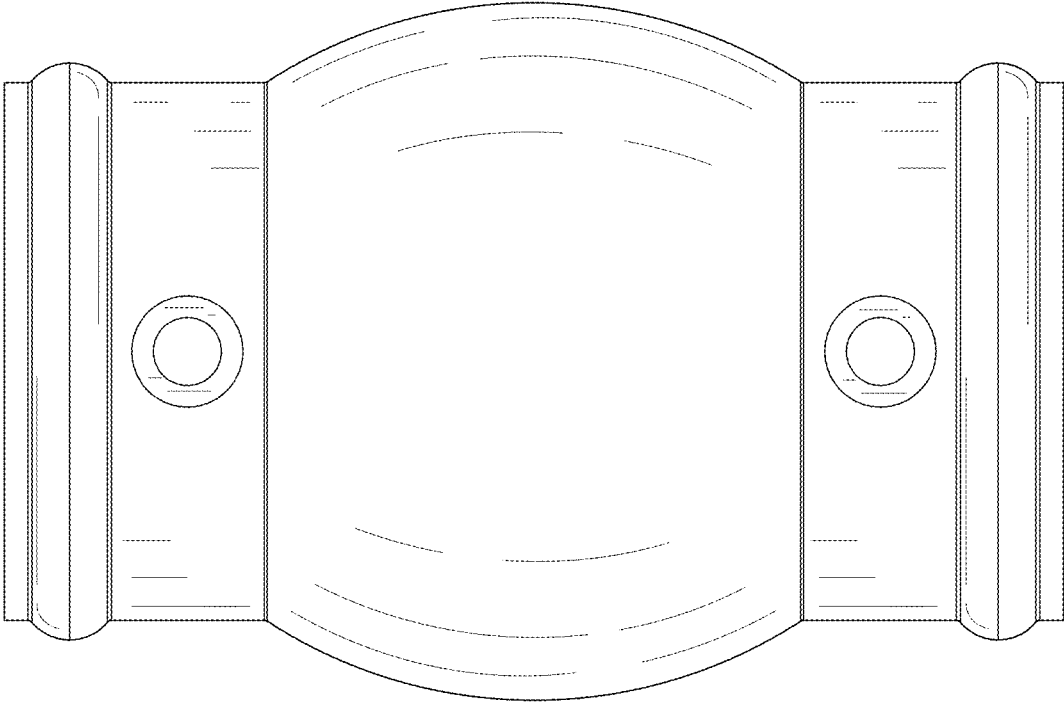


FIG. 15

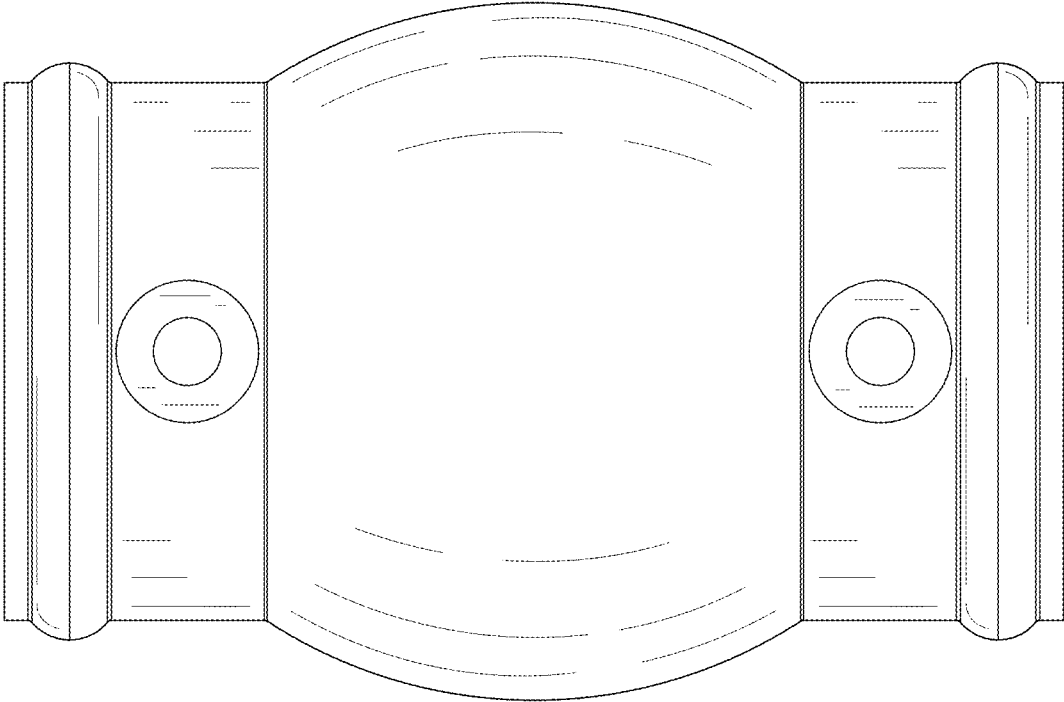


FIG. 16

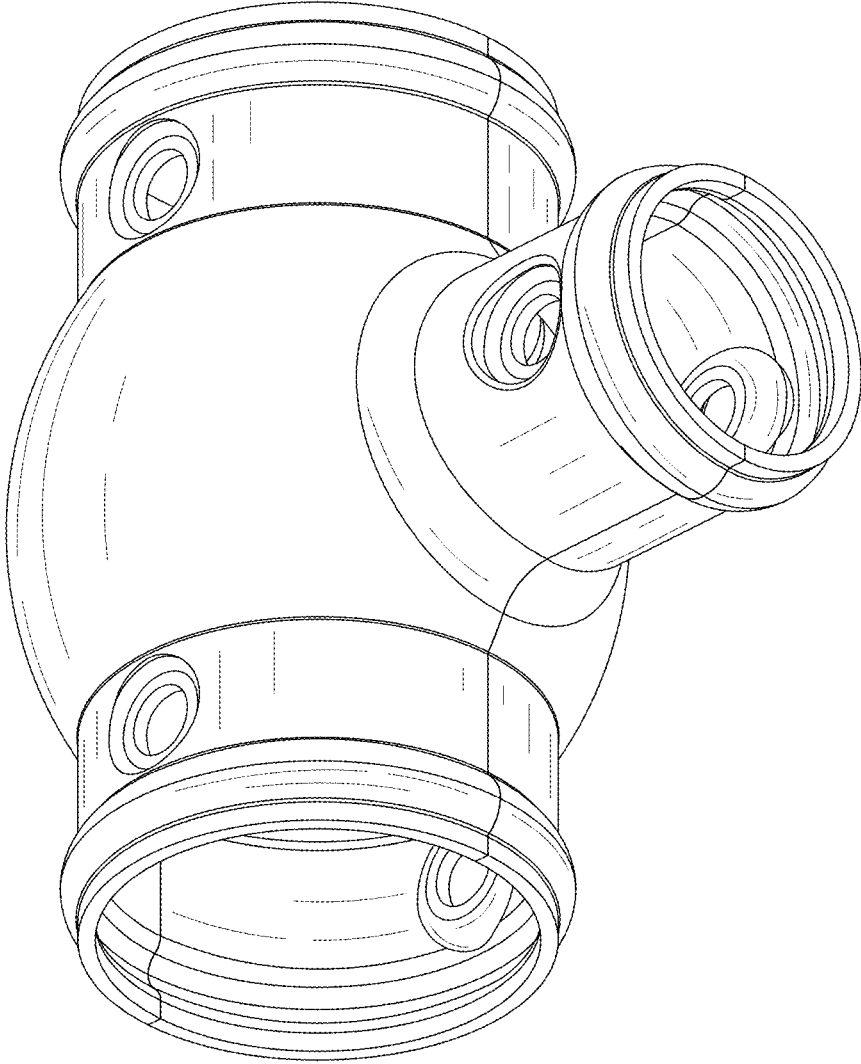


FIG. 17

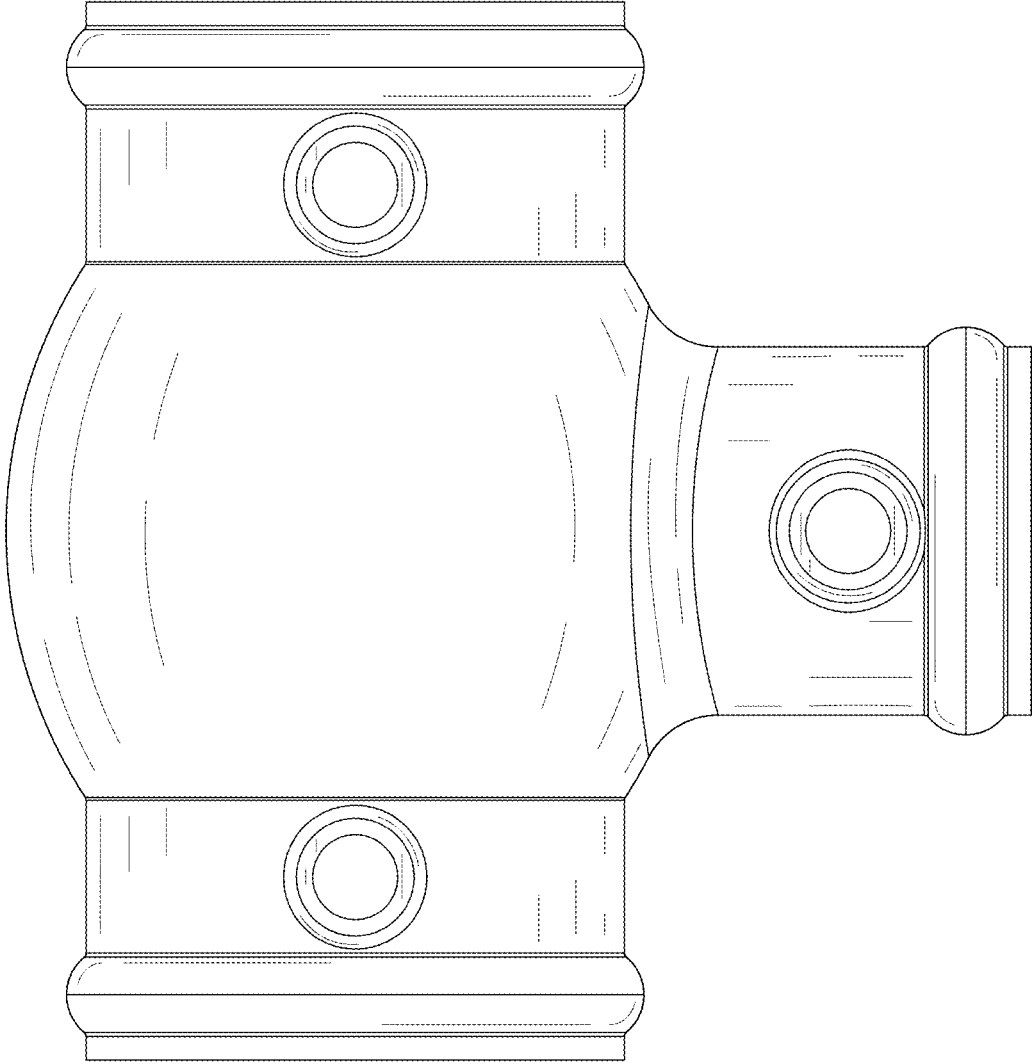


FIG. 18

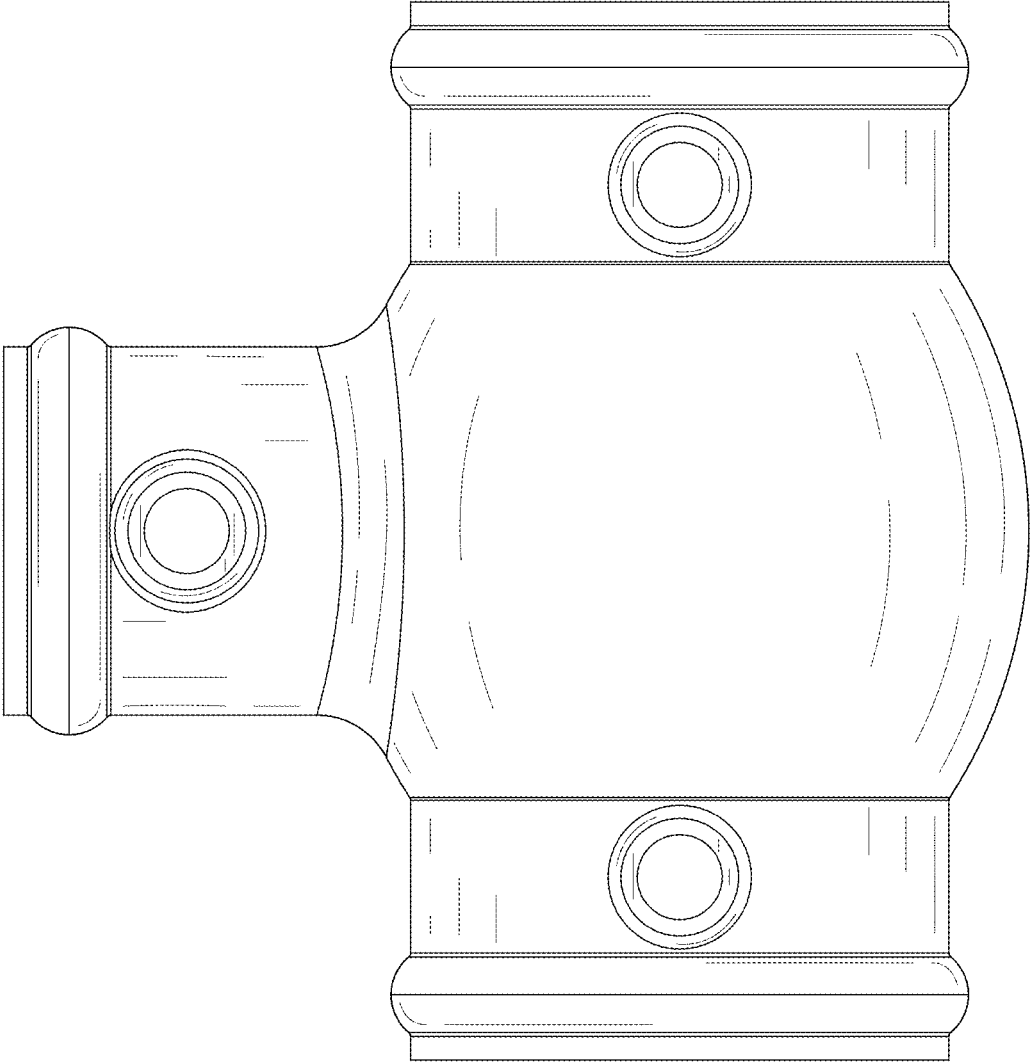


FIG. 19

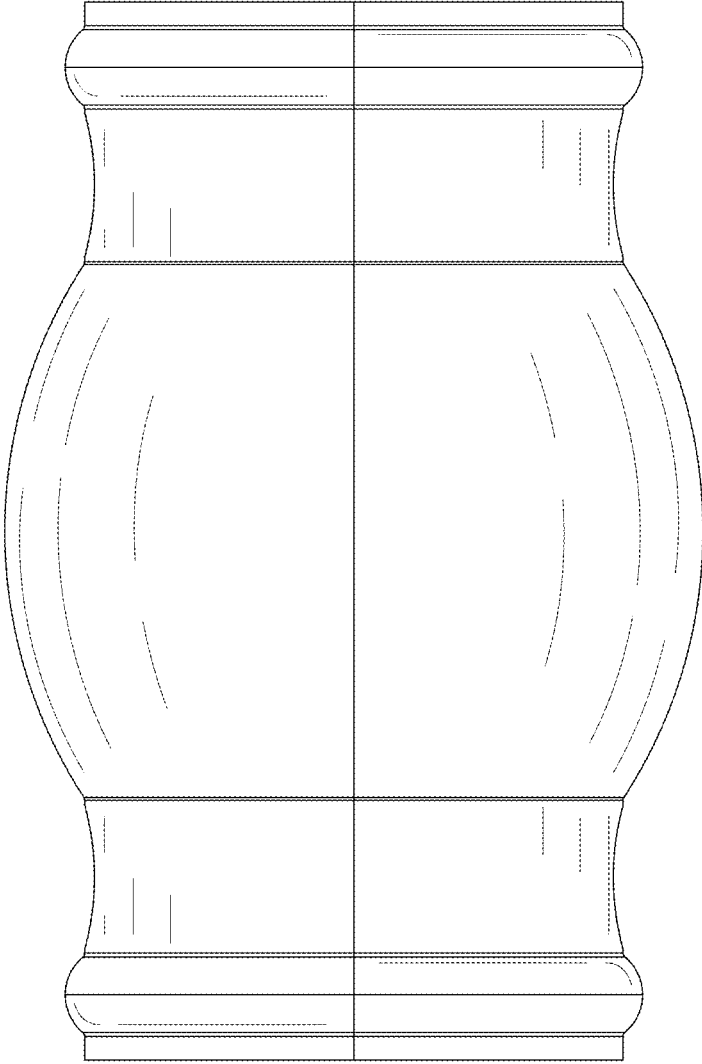


FIG. 20

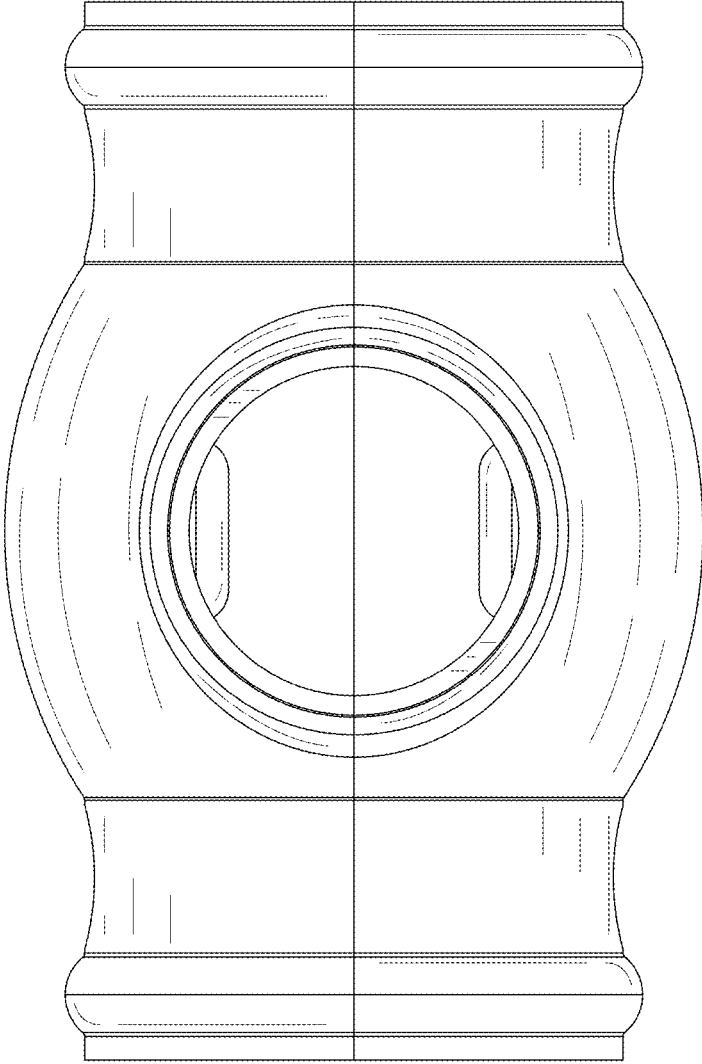


FIG. 21

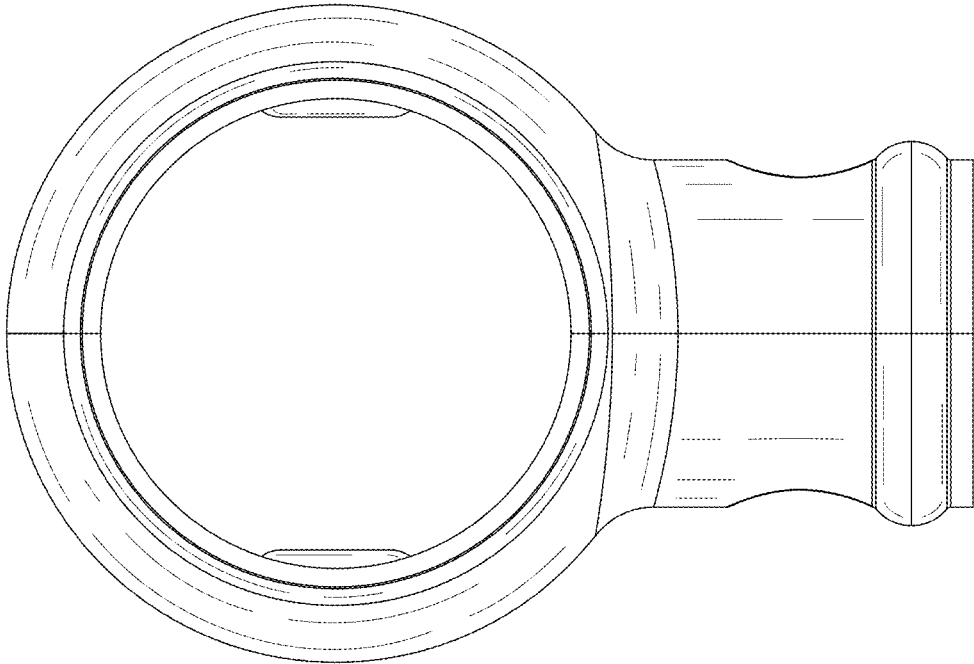


FIG. 22



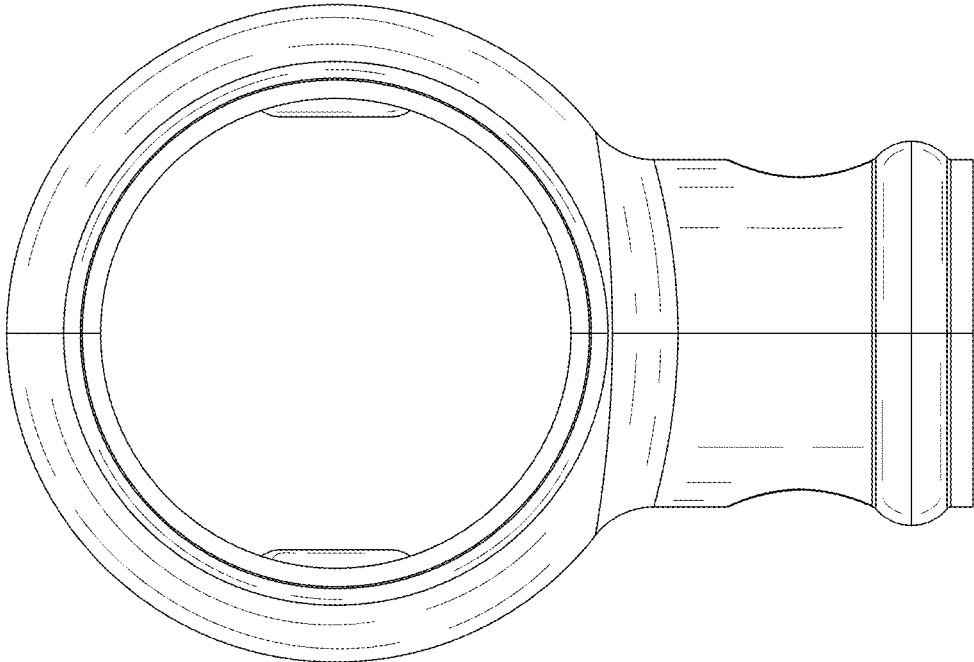


FIG. 23