



US00D548223S

(12) **United States Design Patent**  
**Hall**

(10) **Patent No.:** **US D548,223 S**

(45) **Date of Patent:** **\*\* Aug. 7, 2007**

(54) **LOUDSPEAKER**

D483,736 S \* 12/2003 Tanaka ..... D14/168

D500,021 S \* 12/2004 Hu ..... D14/168

D525,941 S \* 8/2006 Kudo ..... D13/147

(75) Inventor: **Robert Ian Hall**, Longwell Green (GB)

(73) Assignee: **Saitek P.L.C.** (GB)

\* cited by examiner

(\*\*) Term: **14 Years**

*Primary Examiner*—Nanda Bondade

(21) Appl. No.: **29/245,886**

(74) *Attorney, Agent, or Firm*—Brinks Hofer Gilson & Lione

(22) Filed: **Dec. 30, 2005**

(57) **CLAIM**

(30) **Foreign Application Priority Data**

The ornamental design for a loudspeaker, as shown and described.

Jul. 8, 2005 (EM) ..... 000373121-0002

(51) **LOC (8) Cl.** ..... **14-01**

(52) **U.S. Cl.** ..... **D14/216**; D14/168

(58) **Field of Classification Search** ..... D14/204,  
D14/207, 209–216, 167, 168; 181/143–144,  
181/147–148, 150, 157, 198–199, 151, 153;  
381/300–302, 306, 333, 345, 361–364, 386–388,  
381/332, 336

See application file for complete search history.

**DESCRIPTION**

FIG. 1 is a perspective view of the loudspeaker of the claimed design;

FIG. 2 is a right side elevational view thereof;

FIG. 3 is a bottom perspective view thereof;

FIG. 4 is a rear perspective view thereof;

FIG. 5 is a rear elevational view thereof; and,

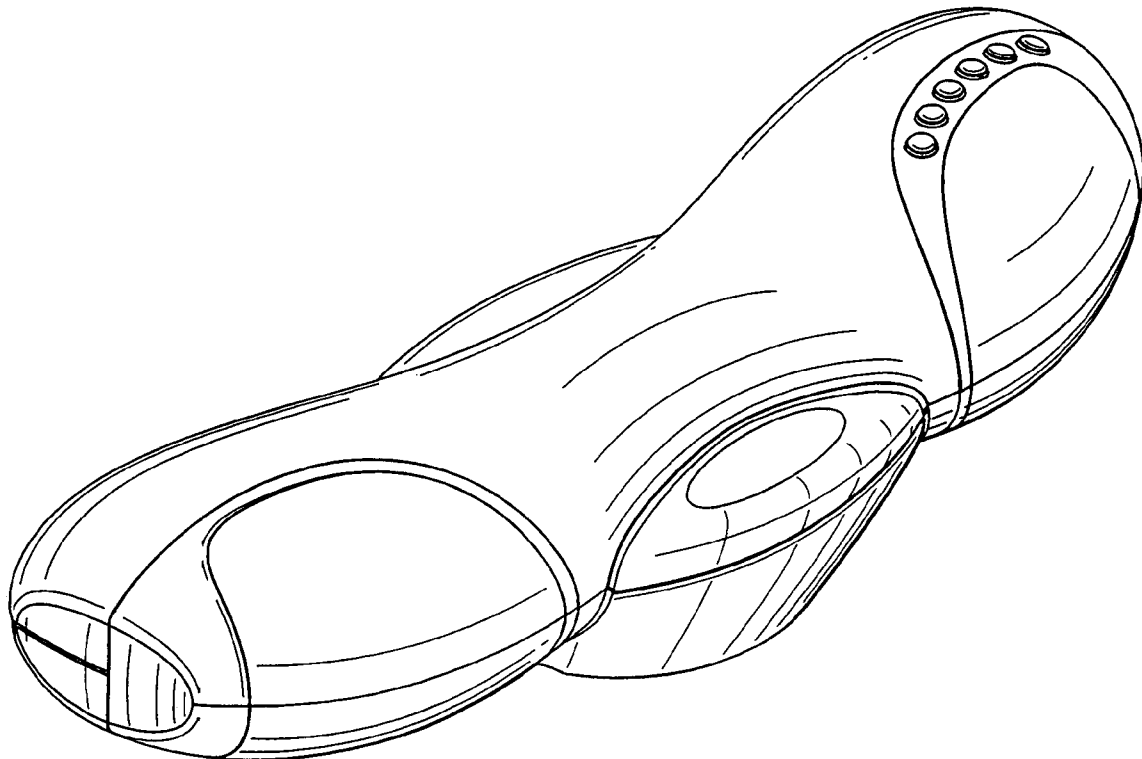
FIG. 6 is a top view thereof.

(56) **References Cited**

U.S. PATENT DOCUMENTS

D452,963 S \* 1/2002 Suzuki ..... D14/168

**1 Claim, 6 Drawing Sheets**



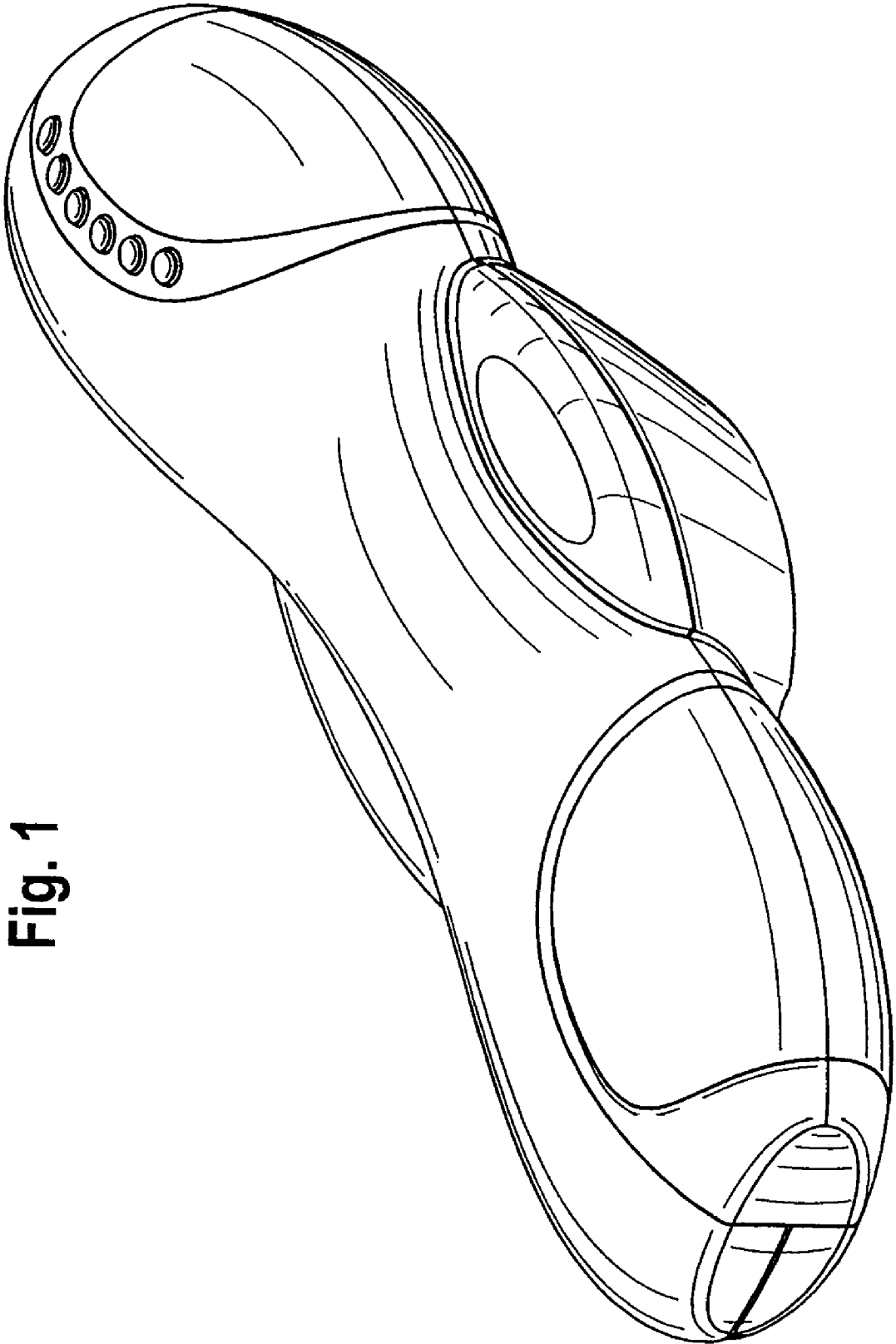


Fig. 1

**Fig. 2**

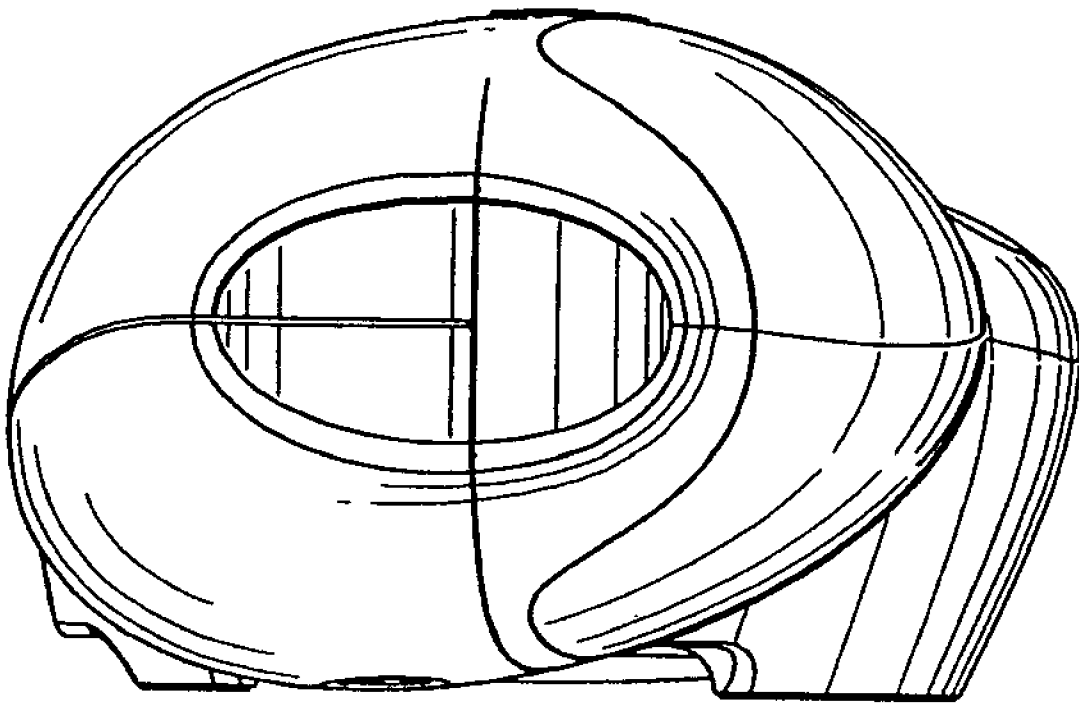


Fig. 3

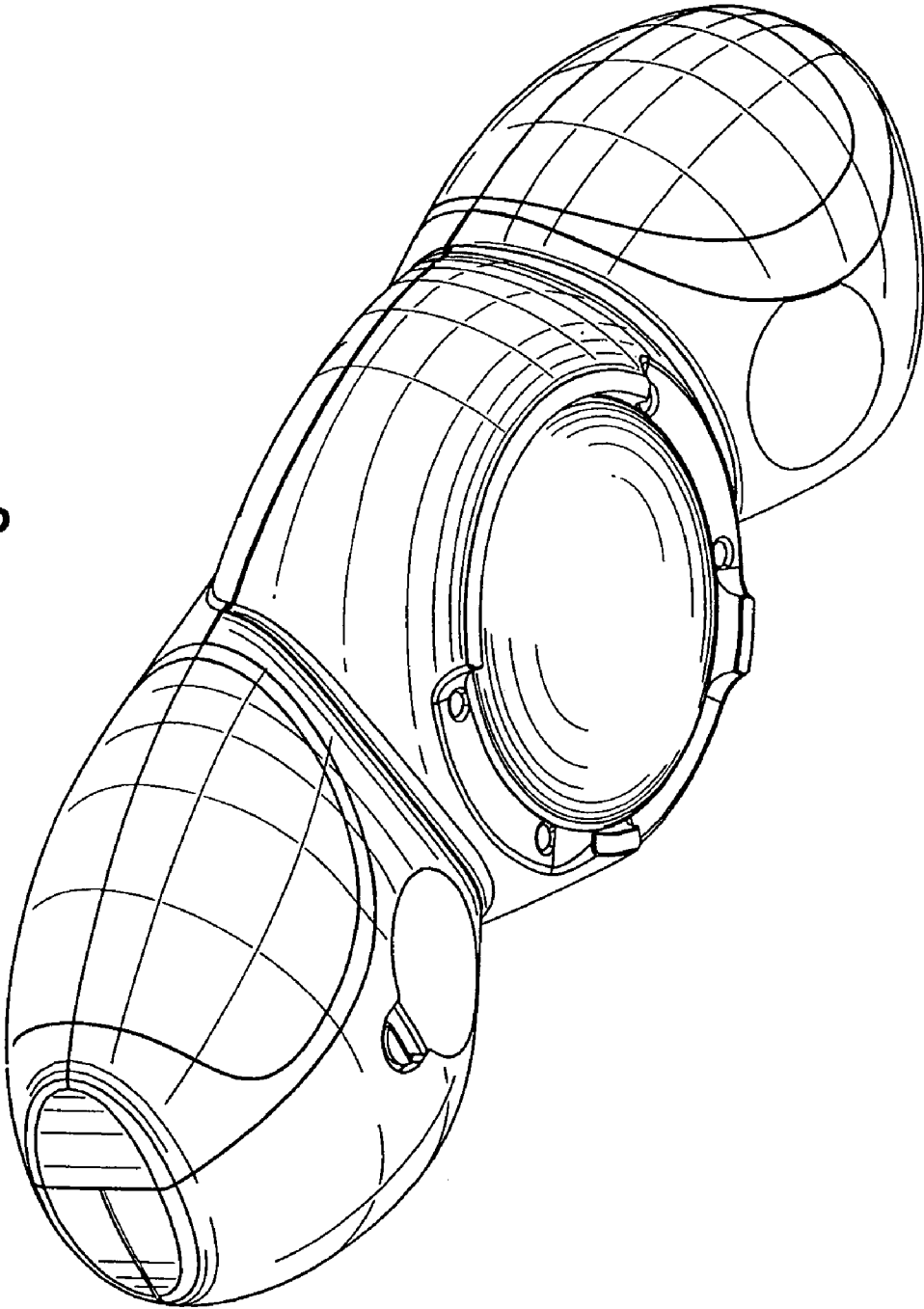


Fig. 4

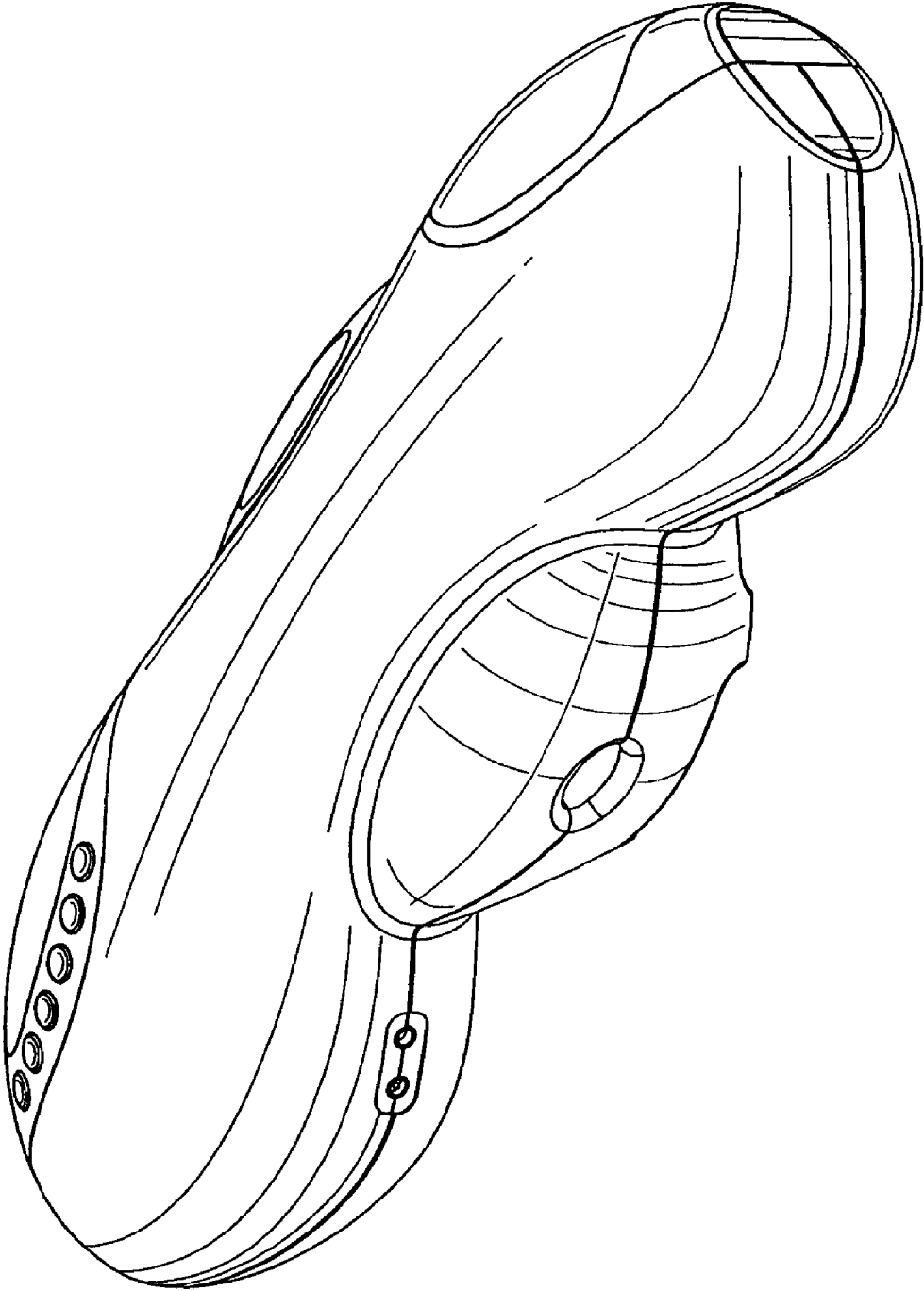


Fig. 5

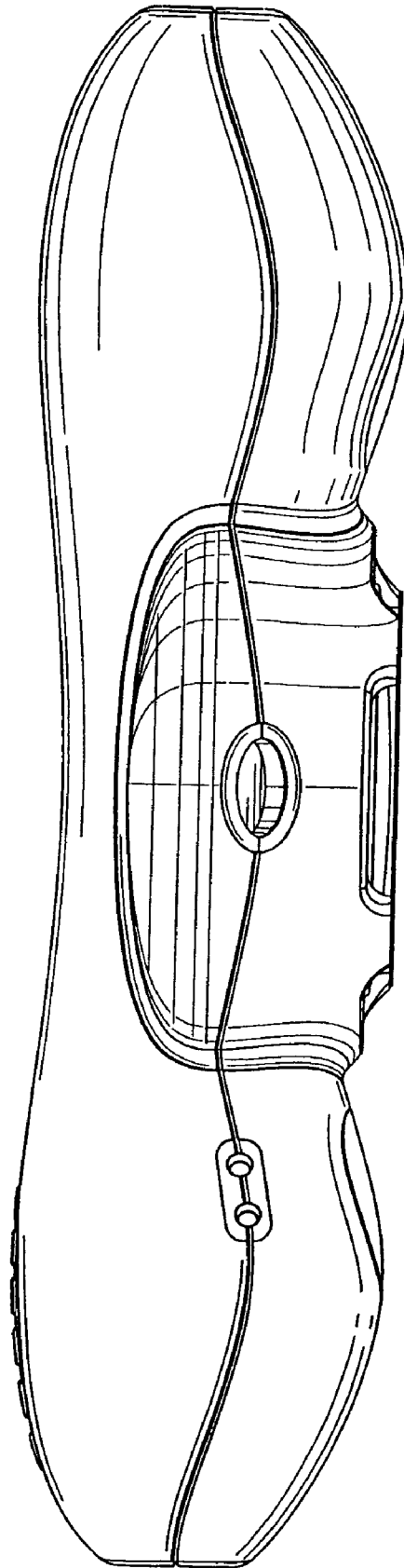


Fig. 6

