



US00D336574S

United States Patent [19]

[11] Patent Number: Des. 336,574

Rhodes

[45] Date of Patent: ** Jun. 22, 1993

[54] DOUBLE POST EARRING CAROUSEL

[76] Inventor: Flora B. Rhodes, 3929 Maple St.,
Ventura, Calif. 93003

[**] Term: 14 Years

[21] Appl. No.: 909,817

[22] Filed: Jul. 8, 1992

3,204,779	9/1965	Warner .	
3,997,050	12/1976	Patterson .	
4,058,356	11/1977	Michal .	
4,093,077	6/1978	Strasser .	
4,101,037	7/1978	Allesch .	
4,141,453	2/1979	Hanan .	
4,322,007	3/1982	Feibelman .	
4,420,084	12/1983	Whelan .	
4,424,904	1/1984	Applegate, Jr.	211/40
4,463,856	8/1984	Strasser .	
4,838,625	6/1989	Taylor .	
4,850,658	7/1989	Sandor .	

Related U.S. Application Data

[63] Continuation-in-part of Ser. No. 605,182, Oct. 29, 1990,
Pat. No. D. 329,341.

[52] U.S. Cl. D6/469; D6/464

[58] Field of Search D6/369, 449, 411-415,
D6/455, 457-461, 462-465, 467, 469; 211/40,
13, 163; 206/495, 566; D3/75

[56] References Cited

U.S. PATENT DOCUMENTS

D. 95,797	6/1935	Berger	D6/458 X
D. 122,170	8/1940	McCann	D6/458 X
D. 152,529	2/1949	Halpern	D6/415
D. 166,425	4/1952	Stolz	D6/415
D. 220,046	3/1971	Pascarella et al.	D6/458
D. 220,298	3/1971	Naglowky	D6/455 X
D. 241,192	8/1976	Salcer	D6/415
D. 290,196	6/1987	Miller	D6/415
2,565,700	8/1951	Schiller .	

OTHER PUBLICATIONS

Counter display fixtures catalog, item R10/3012.

Primary Examiner—Alan P. Douglas

Assistant Examiner—Jeffrey Asch

Attorney, Agent, or Firm—Kenneth J. Hovet

[57] CLAIM

The ornamental design for a double post earring carousel, as shown and described.

DESCRIPTION

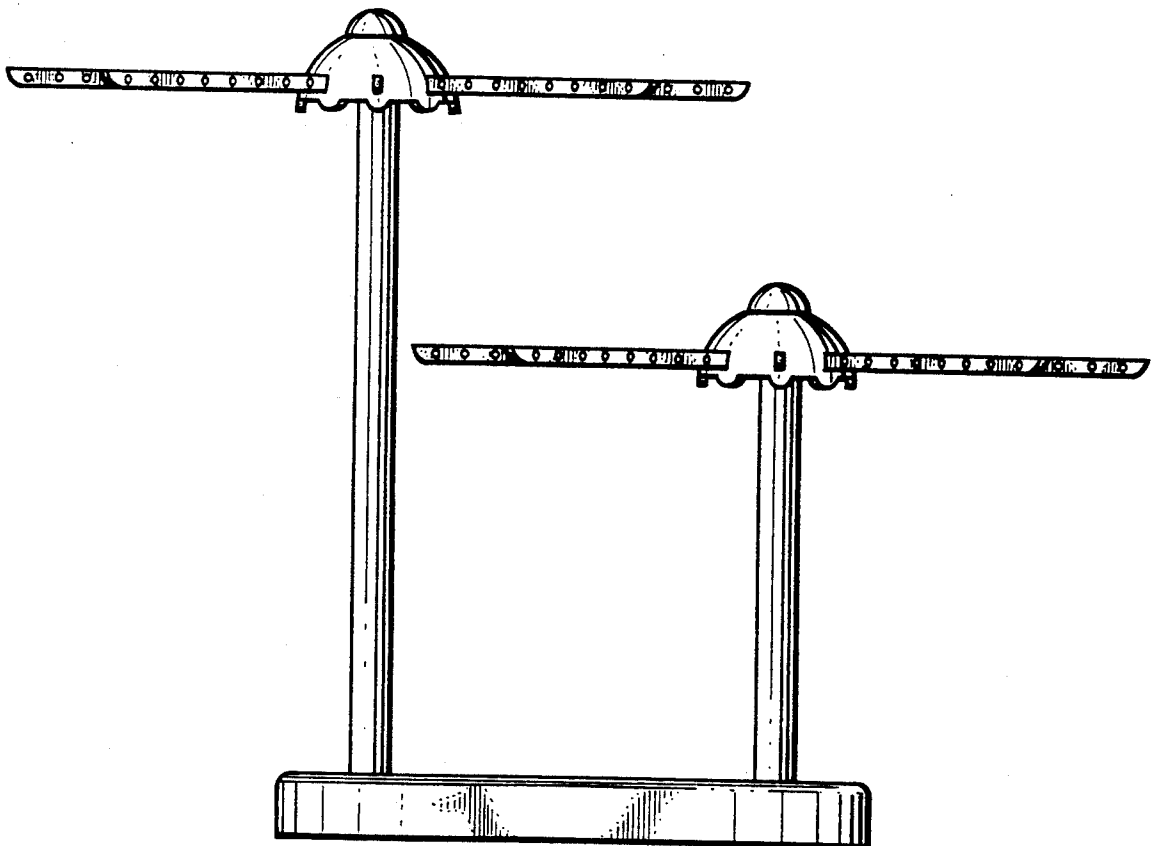
FIG. 1 is a side elevational view of a double post earring carousel showing my new design;

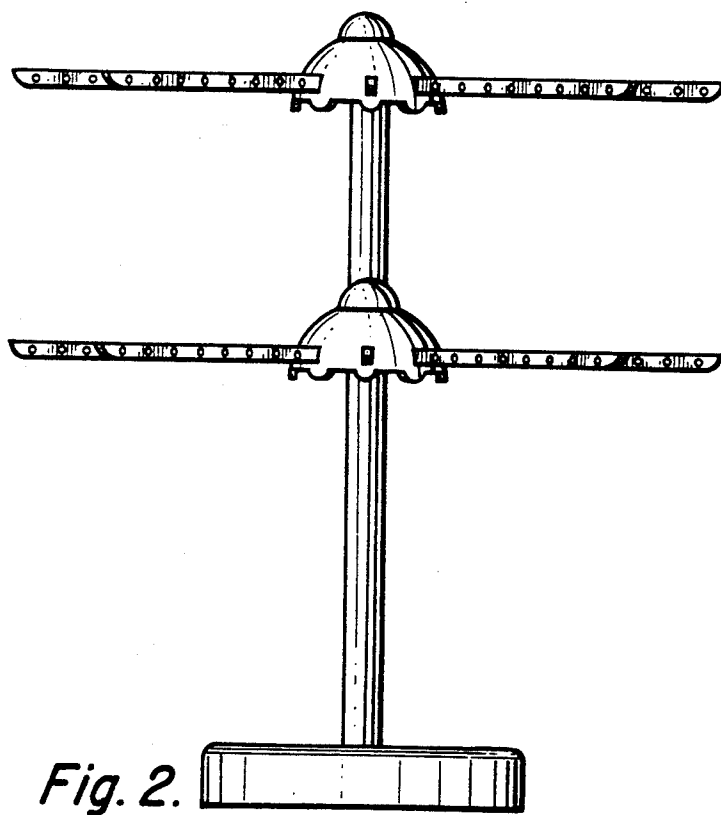
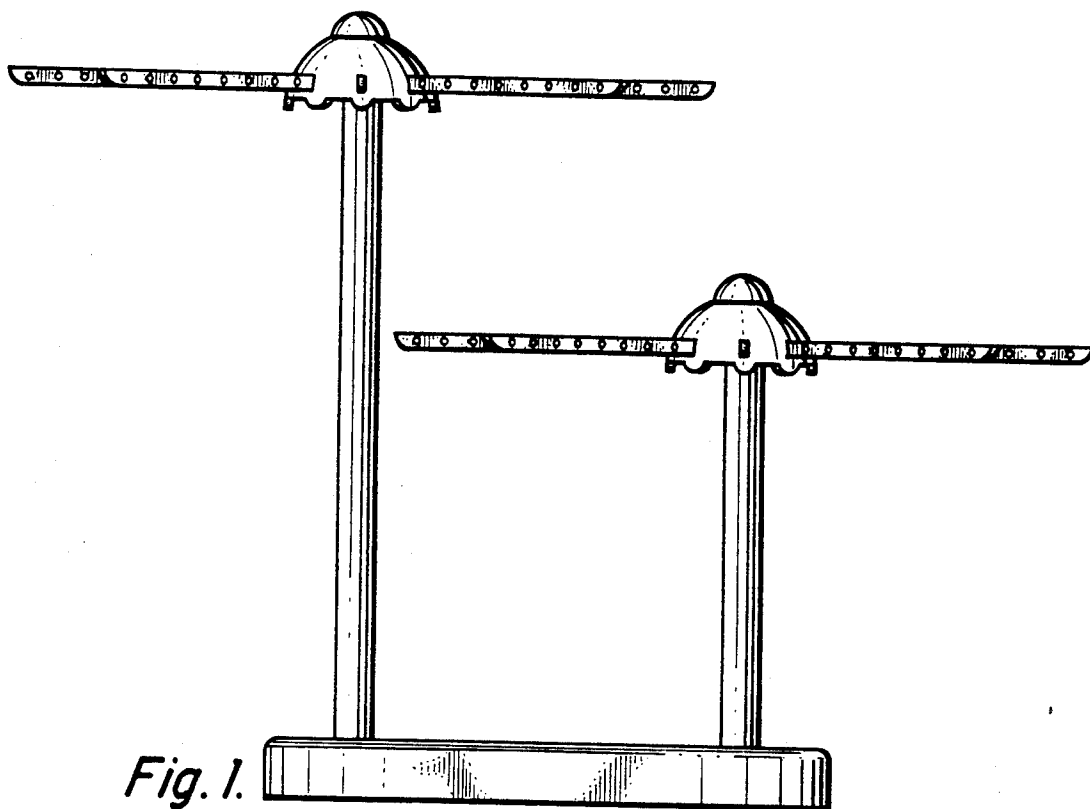
FIG. 2 is a front end elevational view thereof;

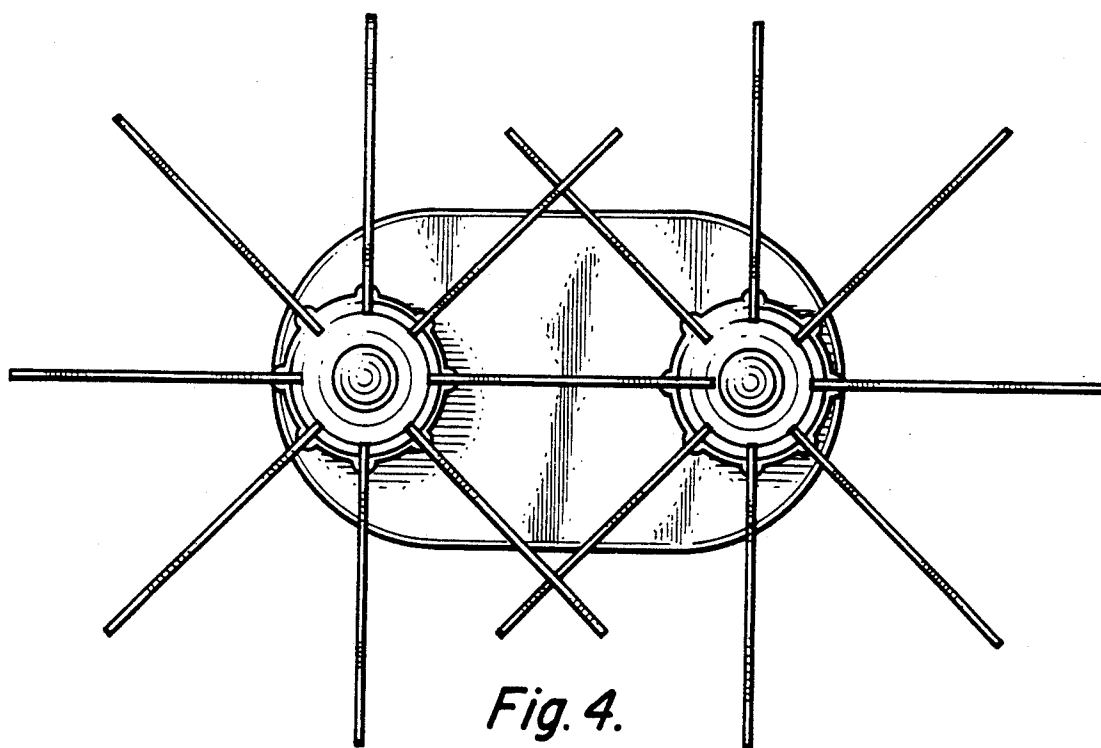
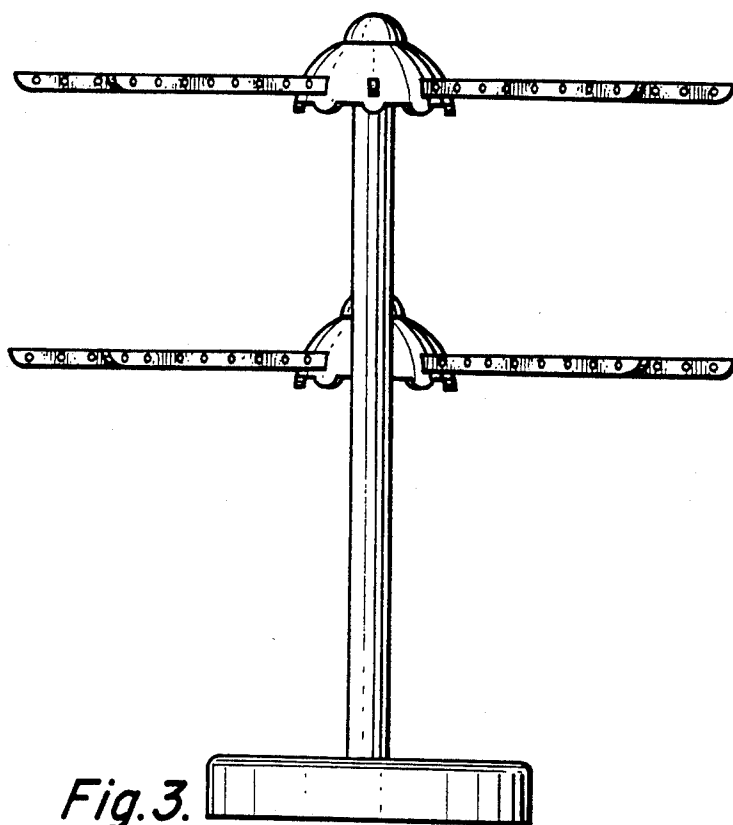
FIG. 3 is a rear end elevational view thereof;

FIG. 4 is a top plan view thereof; and,

FIG. 5 is a bottom plan view thereof.







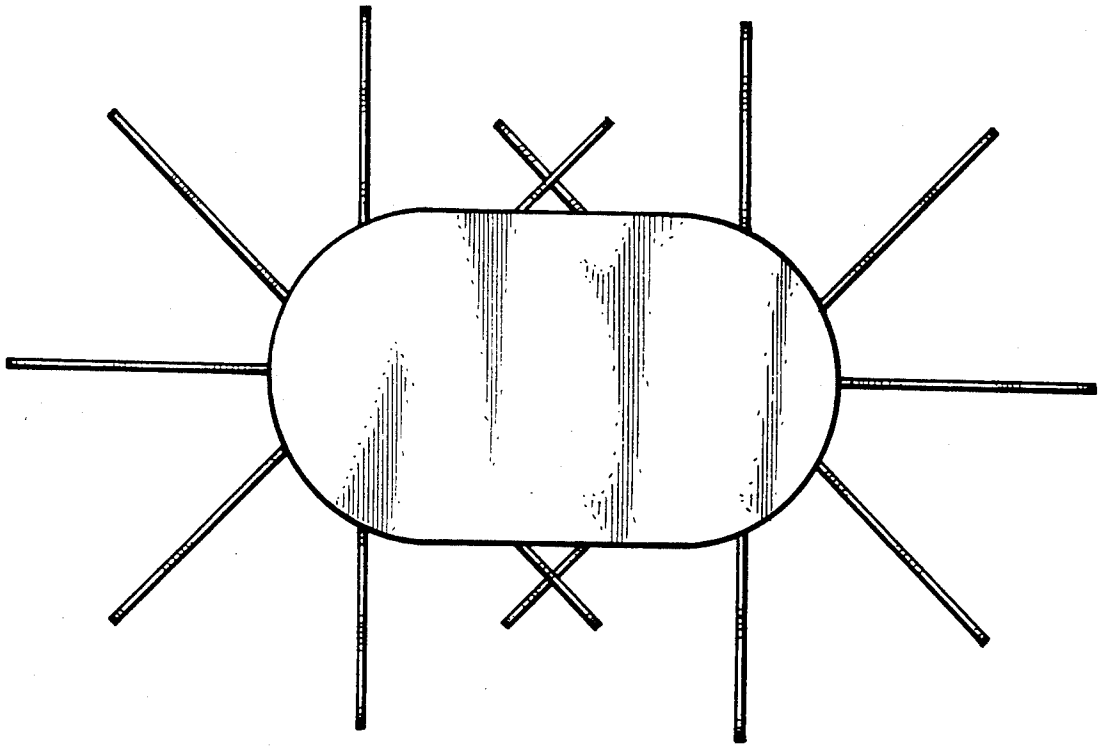


Fig. 5.