



US00D363476S

United States Patent [19]

[11] Patent Number: **Des. 363,476**

Oyama et al.

[45] Date of Patent: ****Oct. 24, 1995**

[54] **DISPLAY FACE OF A LIQUID CRYSTAL DISPLAY MODULE**

D. 354,483	1/1995	Yamazaki	D14/100 X
3,537,792	11/1970	Furniss et al.	353/DIG. 5 X
3,709,590	1/1973	Bisberg	353/DIG. 5 X
4,632,529	12/1986	Levin	353/122

[75] Inventors: **Hisashi Oyama; Hiroshi Okuno**, both of Nara, Japan

[73] Assignee: **Sharp Kabushiki Kaisha**, Osaka, Japan

Primary Examiner—Freda Nunn
Attorney, Agent, or Firm—Nixon & Vanderhye

[**] Term: **14 Years**

[57] CLAIM

[21] Appl. No.: **32,117**

The ornamental design for a display face of a liquid crystal display module, as shown and described.

[22] Filed: **Dec. 2, 1994**

[30] Foreign Application Priority Data

DESCRIPTION

Aug. 4, 1994 [JP] Japan 6-23712

[52] U.S. Cl. **D14/113; D16/235**

[58] Field of Search D14/100, 101, D14/106, 113, 124-129; D16/235; 178/18, 19; 345/104, 133, 156, 168, 173, 87, 901-905; 353/31, 122, DIG. 3, DIG. 5

FIG. 1 is a front elevational view of a display face of a liquid crystal display module according to our design; and,

FIG. 2 is a perspective view thereof wherein the liquid crystal display module is shown in broken lines for illustrative purposes only and forms no part of the claimed design the edges and the rear are also not part of the design.

[56] References Cited

U.S. PATENT DOCUMENTS

D. 339,574 9/1993 Althans et al. D14/113

1 Claim, 2 Drawing Sheets

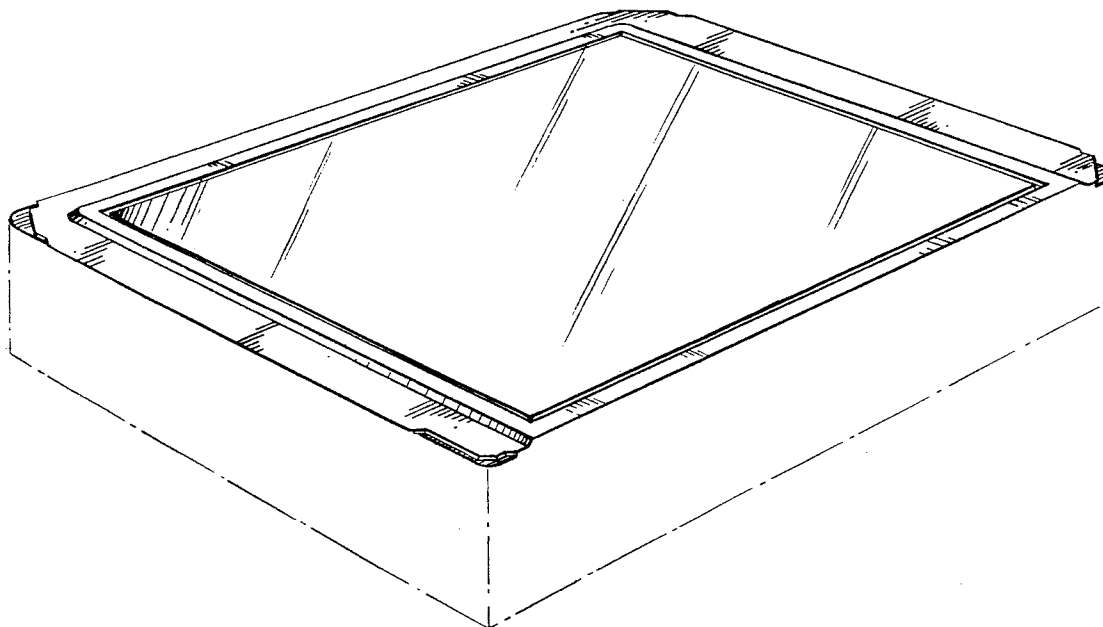
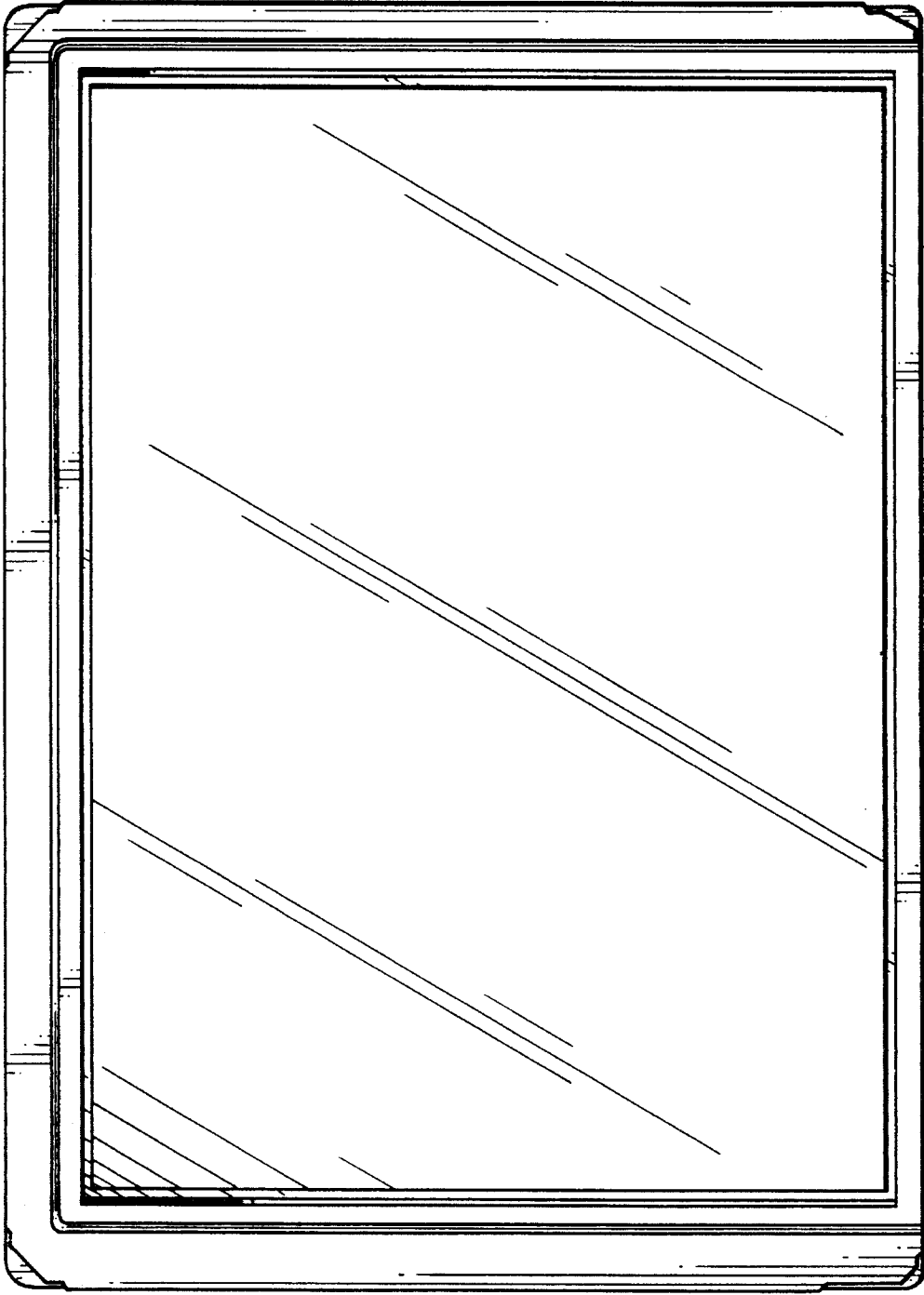


FIG. 1



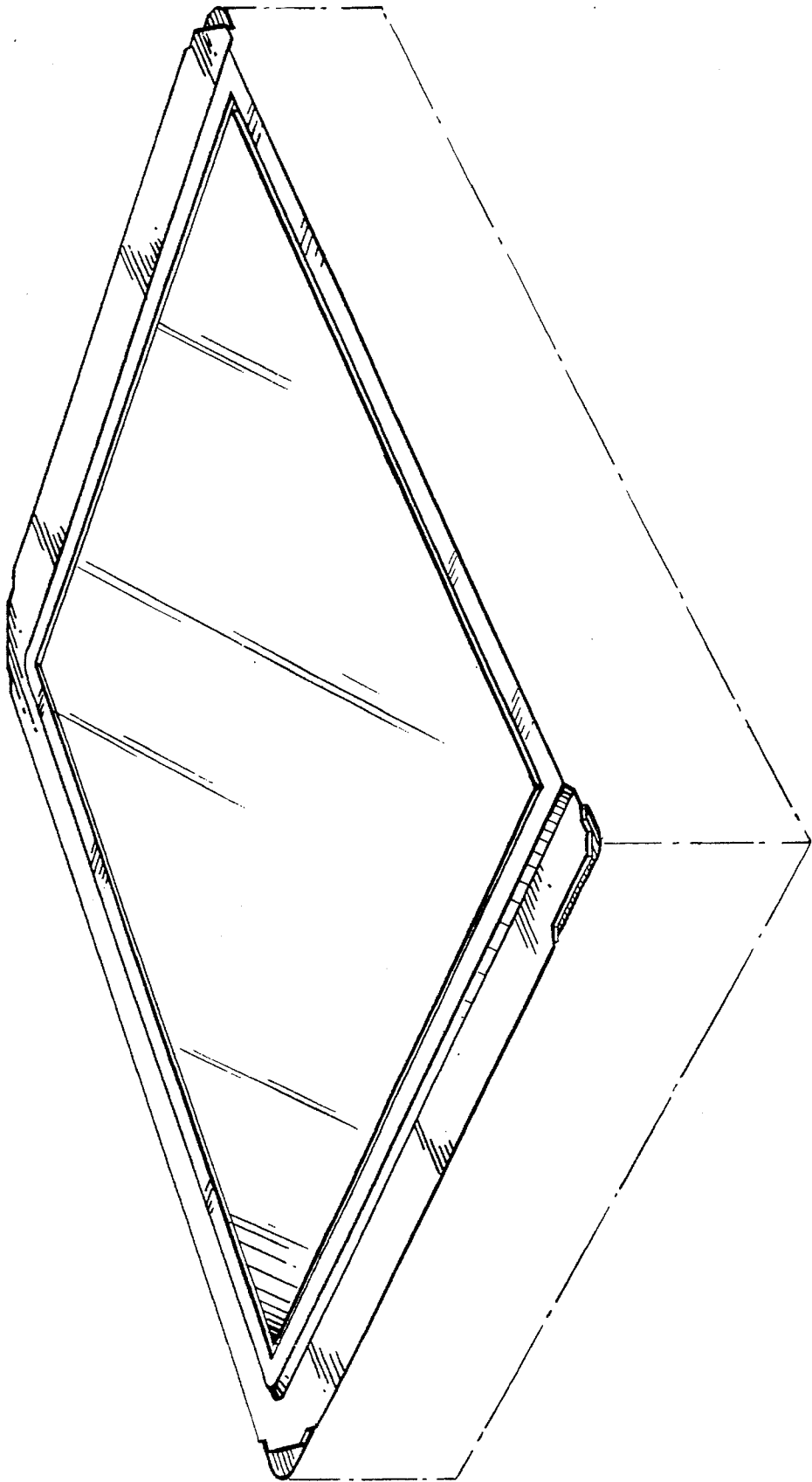


FIG. 2