

(19) World Intellectual Property Organization  
International Bureau



(43) International Publication Date  
6 May 2010 (06.05.2010)

(10) International Publication Number  
**WO 2010/050700 A3**

(51) International Patent Classification:  
*H04B 11/00* (2006.01)

(21) International Application Number:  
PCT/KR2009/006135

(22) International Filing Date:  
22 October 2009 (22.10.2009)

(25) Filing Language: English

(26) Publication Language: English

(30) Priority Data:  
2008143357 31 October 2008 (31.10.2008) RU  
10-2009-0098900 16 October 2009 (16.10.2009) KR

(71) Applicant (for all designated States except US): **SAM-SUNG ELECTRONICS CO., LTD.** [KR/KR]; 416, Maetan-dong, Yeongtong-gu, Suwon-si, Gyeonggi-do 442-742 (KR).

(72) Inventors: **JUNG, Hee-Won**; #246-1601, Hwanggol Ssangyong APT., 1052-2, Yeongtong-dong, Yeongtong-gu, Suwon-si, Gyeonggi-do 443-470 (KR). **PARK, Seung-Gun**; #110-802, Donga Solecity APT., Bojeong-dong, Giheung-gu, Yongin-si, Gyeonggi-do 446-940 (KR). **KO, Jun-Ho**; #203-101, Hwanggolmaeul 2-danji Sinmyeong APT., Yeongtong-dong, Yeongtong-gu, Suwon-si, Gyeonggi-do 443-470 (KR). **LEE, Sang-Mook**; #101-405, Woncheon 1-danji Jugong APT., Maetan-

dong, Yeongtong-gu, Suwon-si, Gyeonggi-do 443-370 (KR). **LEE, Gi-Sang**; #204-1103, Doosan Weve APT., Banwol-dong, Hwaseong-si, Gyeonggi-do 445-738 (KR). **ZHIDKOV, Sergey**; 137-17, Vorovskogo st., Izhevsk, 426063 (RU).

(74) Agent: **LEE, Keon-Joo**; Mihwa Bldg. 110-2, Myongryun-dong 4-ga, Chongro-gu, Seoul 110-524 (KR).

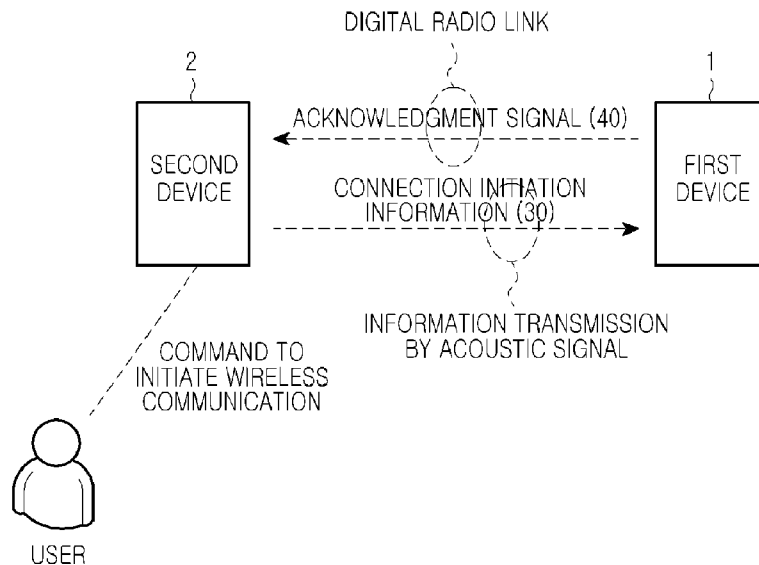
(81) Designated States (unless otherwise indicated, for every kind of national protection available): AE, AG, AL, AM, AO, AT, AU, AZ, BA, BB, BG, BH, BR, BW, BY, BZ, CA, CH, CL, CN, CO, CR, CU, CZ, DE, DK, DM, DO, DZ, EC, EE, EG, ES, FI, GB, GD, GE, GH, GM, GT, HN, HR, HU, ID, IL, IN, IS, JP, KE, KG, KM, KN, KP, KZ, LA, LC, LK, LR, LS, LT, LU, LY, MA, MD, ME, MG, MK, MN, MW, MX, MY, MZ, NA, NG, NI, NO, NZ, OM, PE, PG, PH, PL, PT, RO, RS, RU, SC, SD, SE, SG, SK, SL, SM, ST, SV, SY, TJ, TM, TN, TR, TT, TZ, UA, UG, US, UZ, VC, VN, ZA, ZM, ZW.

(84) Designated States (unless otherwise indicated, for every kind of regional protection available): ARIPO (BW, GH, GM, KE, LS, MW, MZ, NA, SD, SL, SZ, TZ, UG, ZM, ZW), Eurasian (AM, AZ, BY, KG, KZ, MD, RU, TJ, TM), European (AT, BE, BG, CH, CY, CZ, DE, DK, EE, ES, FI, FR, GB, GR, HR, HU, IE, IS, IT, LT, LU, LV, MC, MK, MT, NL, NO, PL, PT, RO, SE, SI, SK, SM,

[Continued on next page]

(54) Title: METHOD AND APPARATUS FOR WIRELESS COMMUNICATION USING AN ACOUSTIC SIGNAL

[Fig. 3]



(57) Abstract: An apparatus and method for wireless communication using an acoustic signal in a system including a first device including a loudspeaker and a second device including a microphone. The first device generates wireless communication information, converts the wireless communication information to an acoustic signal, and transmits the acoustic signal to the second device using the loudspeaker. The second device receives the acoustic signal using the microphone, extracts the wireless communication information from the acoustic signal, generates an acknowledgment signal according to the extracted wireless communication information, and transmits the acknowledgment signal to the first device on a wireless communication channel.

WO 2010/050700 A3



TR), OAPI (BF, BJ, CF, CG, CI, CM, GA, GN, GQ, GW, ML, MR, NE, SN, TD, TG).

— *before the expiration of the time limit for amending the claims and to be republished in the event of receipt of amendments (Rule 48.2(h))*

**Published:**

— *with international search report (Art. 21(3))*

**(88) Date of publication of the international search report:**

29 July 2010

## INTERNATIONAL SEARCH REPORT

International application No.  
**PCT/KR2009/006135****A. CLASSIFICATION OF SUBJECT MATTER****H04B 11/00(2006.01)i**

According to International Patent Classification (IPC) or to both national classification and IPC

**B. FIELDS SEARCHED**

Minimum documentation searched (classification system followed by classification symbols)

IPC 9: H04B, G04G, G10K

Documentation searched other than minimum documentation to the extent that such documents are included in the fields searched

Korean utility models and applications for utility models

Japanese utility models and applications for utility models

(Chinese Patents and application for patent)

Electronic data base consulted during the international search (name of data base and, where practicable, search terms used)

eKOMPASS(KIPO internal) &amp; Keywords: wireless, acoustic, signal, acknowledgement, communication

**C. DOCUMENTS CONSIDERED TO BE RELEVANT**

Category*	Citation of document, with indication, where appropriate, of the relevant passages	Relevant to claim No.
Y	JP 2001-148670 A (NIPPON TELEGR & TELEPH CORP.) 29 May 2001 See the abstract and claims 7-9.	1-35
Y	US 6392960 B1 (SELTZER et al.) 21 May 2002 See the abstract and claims 14-15.	1-35
A	JP 2001-100772 A (ETA SA FAB EBAUCHES) 13 April 2001 See the abstract and claim 13.	1-35

 Further documents are listed in the continuation of Box C. See patent family annex.

\* Special categories of cited documents:

"A" document defining the general state of the art which is not considered to be of particular relevance

"E" earlier application or patent but published on or after the international filing date

"L" document which may throw doubts on priority claim(s) or which is cited to establish the publication date of citation or other special reason (as specified)

"O" document referring to an oral disclosure, use, exhibition or other means

"P" document published prior to the international filing date but later than the priority date claimed

"T" later document published after the international filing date or priority date and not in conflict with the application but cited to understand the principle or theory underlying the invention

"X" document of particular relevance; the claimed invention cannot be considered novel or cannot be considered to involve an inventive step when the document is taken alone

"Y" document of particular relevance; the claimed invention cannot be considered to involve an inventive step when the document is combined with one or more other such documents, such combination being obvious to a person skilled in the art

"&amp;" document member of the same patent family

Date of the actual completion of the international search

17 MAY 2010 (17.05.2010)

Date of mailing of the international search report

**03 JUNE 2010 (03.06.2010)**

Name and mailing address of the ISA/KR

Korean Intellectual Property Office  
Government Complex-Daejeon, 139 Seonsa-ro, Seo-  
gu, Daejeon 302-701, Republic of Korea

Facsimile No. 82-42-472-7140

Authorized officer

SOHN, Hyun-Woong

Telephone No. 82-42-481-5973



## INTERNATIONAL SEARCH REPORT

Information on patent family members

International application No.

**PCT/KR2009/006135**

Patent document cited in search report	Publication date	Patent family member(s)	Publication date		
JP 2001-148670 A	29.05.2001	JP 03-621020 B2	16.02.2005		
		JP 03-668402 B2	06.07.2005		
		JP 03-808678 B2	16.08.2006		
		JP 2001-175271 A	29.06.2001		
		JP 2001-184597 A	06.07.2001		
		JP 2001-186093 A	06.07.2001		
		JP 2001-239485 A	04.09.2001		
		JP 2001-320337 A	16.11.2001		
		JP 2002-127062 A	08.05.2002		
		US 2006-0020467 A1	26.01.2006		
		US 2006-0153390 A1	13.07.2006		
		US 2009-0157406 A1	18.06.2009		
		US 6947893 B1	20.09.2005		
		US 7657435 B2	02.02.2010		
		US 6392960 B1	21.05.2002	None	
		JP 2001-100772 A	13.04.2001	AT 302432 T	15.09.2005
				AT 343267 T	15.11.2006
AU 2000-15070 A1	19.02.2001				
AU 2000-15070 B2	11.09.2003				
AU 2000-15071 A1	19.02.2001				
AU 2000-15071 B2	13.05.2004				
CA 2381149 A1	08.02.2001				
CA 2381149 C	25.10.2005				
CN 1143189 C	24.03.2004				
CN 1158793 C	21.07.2004				
CN 1367962 A	04.09.2002				
CN 1373864 A	09.10.2002				
DE 69926810 D1	22.09.2005				
DE 69926810 T2	08.06.2006				
DE 69933663 D1	30.11.2006				
EP 1075098 A1	07.02.2001				
EP 1075098 A9	07.02.2001				
EP 1075098 B1	18.10.2006				
EP 1206729 A1	22.05.2002				
EP 1206729 B1	17.08.2005				
EP 1206856 A1	22.05.2002				
HK 1049374 A1	21.01.2005				
HK 1049412 A1	22.04.2005				
JP 04-308469 B2	15.05.2009				
JP 2003-506692 A	18.02.2003				
JP 2003-506692 T	18.02.2003				
JP 2003-506917 A	18.02.2003				
JP 2003-506917 T	18.02.2003				
JP 4308469 B2	05.08.2009				
KR 10-0609191 B1	02.08.2006				
KR 10-0670439 B1	17.01.2007				
US 6747916 B1	08.06.2004				
US 6934521 B1	23.08.2005				

**INTERNATIONAL SEARCH REPORT**

Information on patent family members

International application No.

**PCT/KR2009/006135**

Patent document cited in search report	Publication date	Patent family member(s)	Publication date
		WO 01-09689 A1	08.02.2001
		WO 01-10064 A1	08.02.2001