



US00D806176S

(12) **United States Design Patent**  
**Peng**

(10) **Patent No.:** **US D806,176 S**

(45) **Date of Patent:** **\*\* Dec. 26, 2017**

- (54) **ELECTRIC SCOOTER**
- (71) Applicant: **Qian Peng**, Guangdong (CN)
- (72) Inventor: **Qian Peng**, Guangdong (CN)
- (\*\*) Term: **15 Years**
- (21) Appl. No.: **29/576,562**
- (22) Filed: **Sep. 5, 2016**
- (51) **LOC (10) Cl.** ..... **21-01**
- (52) **U.S. Cl.**  
USPC ..... **D21/423**
- (58) **Field of Classification Search**  
USPC ..... D21/419, 421, 423, 426-428, 435,  
D21/668-671, 760, 765, 771; D12/1, 8,  
D12/108, 111, 112, 113  
CPC . B62K 3/002; B62K 9/00; B62K 9/02; B62K  
13/00; B62K 2202/00  
See application file for complete search history.

D684,217 S *	6/2013	Hadley	.....	D21/423
D691,671 S *	10/2013	Chen	.....	D21/423
D692,963 S *	11/2013	Radtke	.....	D21/423
8,870,200 B2 *	10/2014	Chen	.....	B62B 3/001
				280/87.01
D717,881 S *	11/2014	Radtke	.....	D21/423
8,925,935 B2 *	1/2015	Powers	.....	B62K 3/002
				280/655.1
2002/0093161 A1 *	7/2002	Udwin	.....	B62K 3/002
				280/87.05
2013/0320648 A1 *	12/2013	Eckert	.....	B62K 3/002
				280/279

\* cited by examiner

*Primary Examiner* — Cynthia M Chin

(57) **CLAIM**

The ornamental design for an electric scooter, as shown.

**DESCRIPTION**

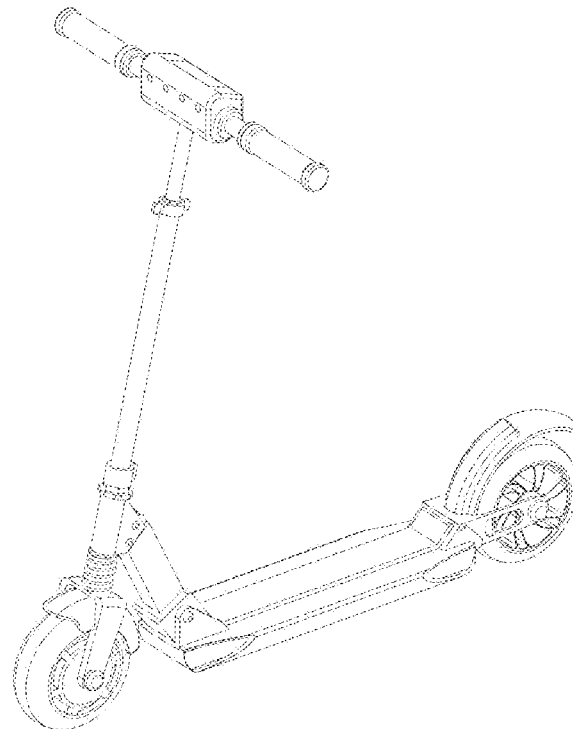
FIG. 1 is a front elevational view of an electric scooter showing my new design;  
 FIG. 2 is a rear elevational view thereof;  
 FIG. 3 is a left side view thereof;  
 FIG. 4 is a right side view thereof;  
 FIG. 5 is a top plan view thereof;  
 FIG. 6 is a bottom plan view thereof;  
 FIG. 7 is a perspective view thereof; and,  
 FIG. 8 is another perspective view thereof.

**1 Claim, 8 Drawing Sheets**

(56) **References Cited**

**U.S. PATENT DOCUMENTS**

D435,873 S *	1/2001	Lee	.....	D21/423
D438,912 S *	3/2001	Barrera	.....	D21/423
D439,623 S *	3/2001	Barrera	.....	D21/423
D446,259 S *	8/2001	Udwin	.....	D21/423
D447,187 S *	8/2001	Powers	.....	D21/423
D452,284 S *	12/2001	McGinnis	.....	D21/423
6,378,880 B1 *	4/2002	Lin	.....	B62K 3/002
				280/87.05
D654,963 S *	2/2012	Powers	.....	D21/423
D671,600 S *	11/2012	Horne	.....	D21/423



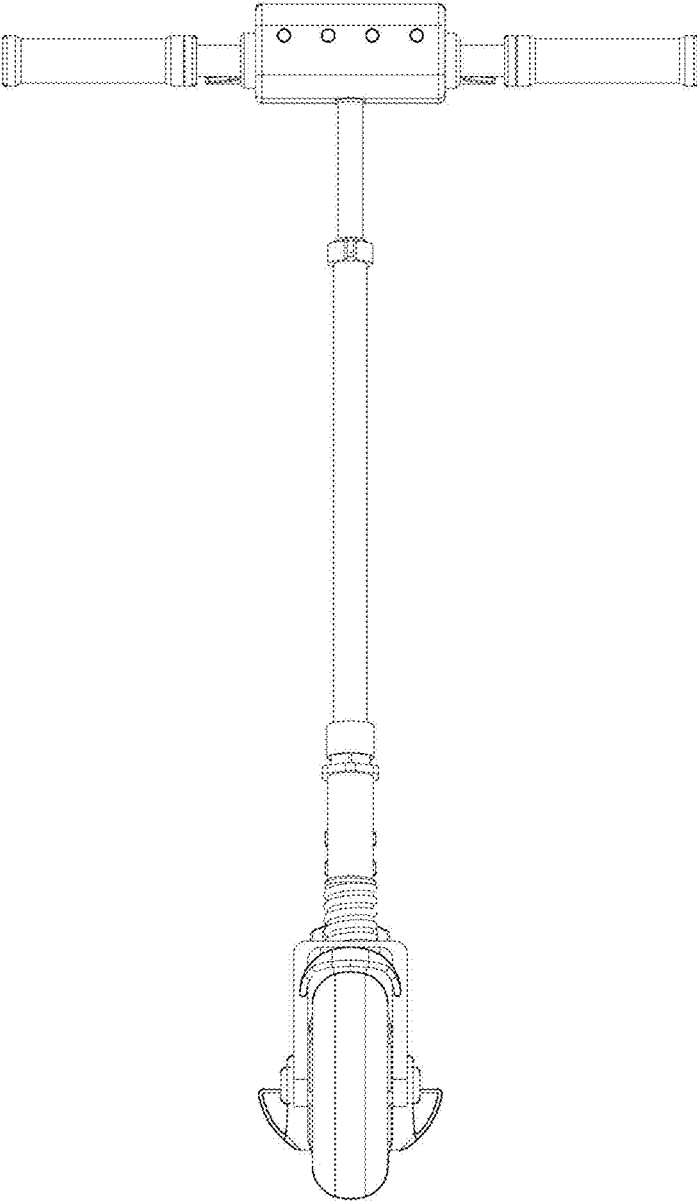


FIG. 1

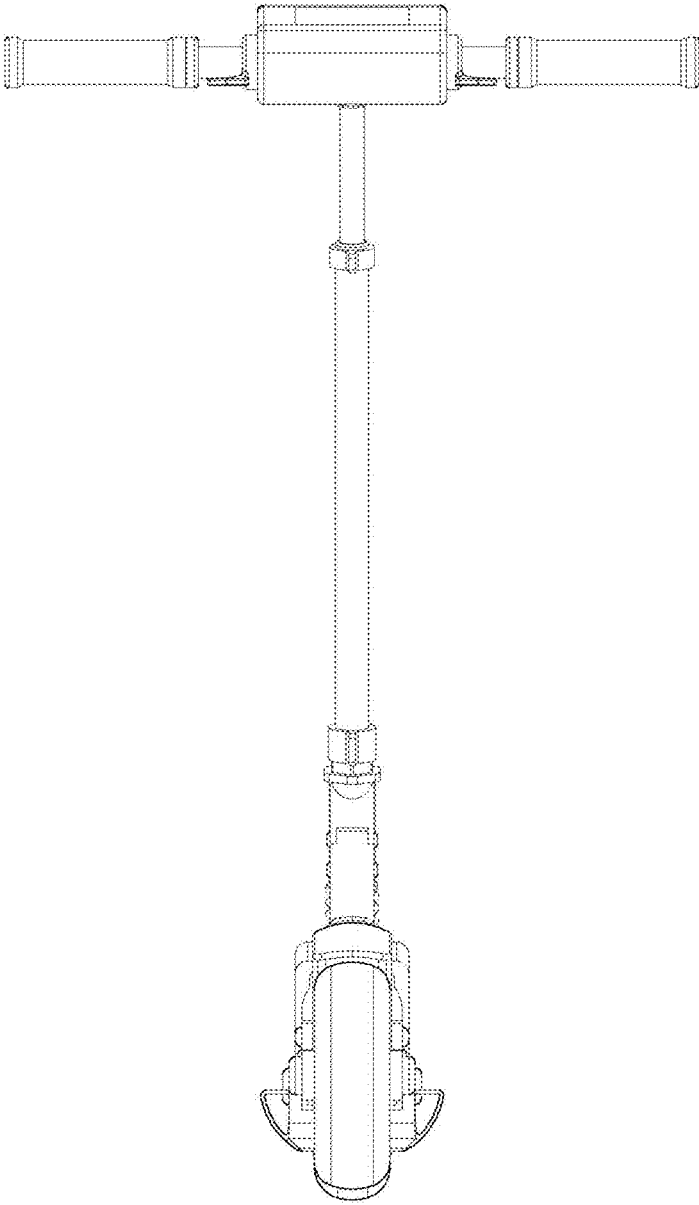


FIG. 2

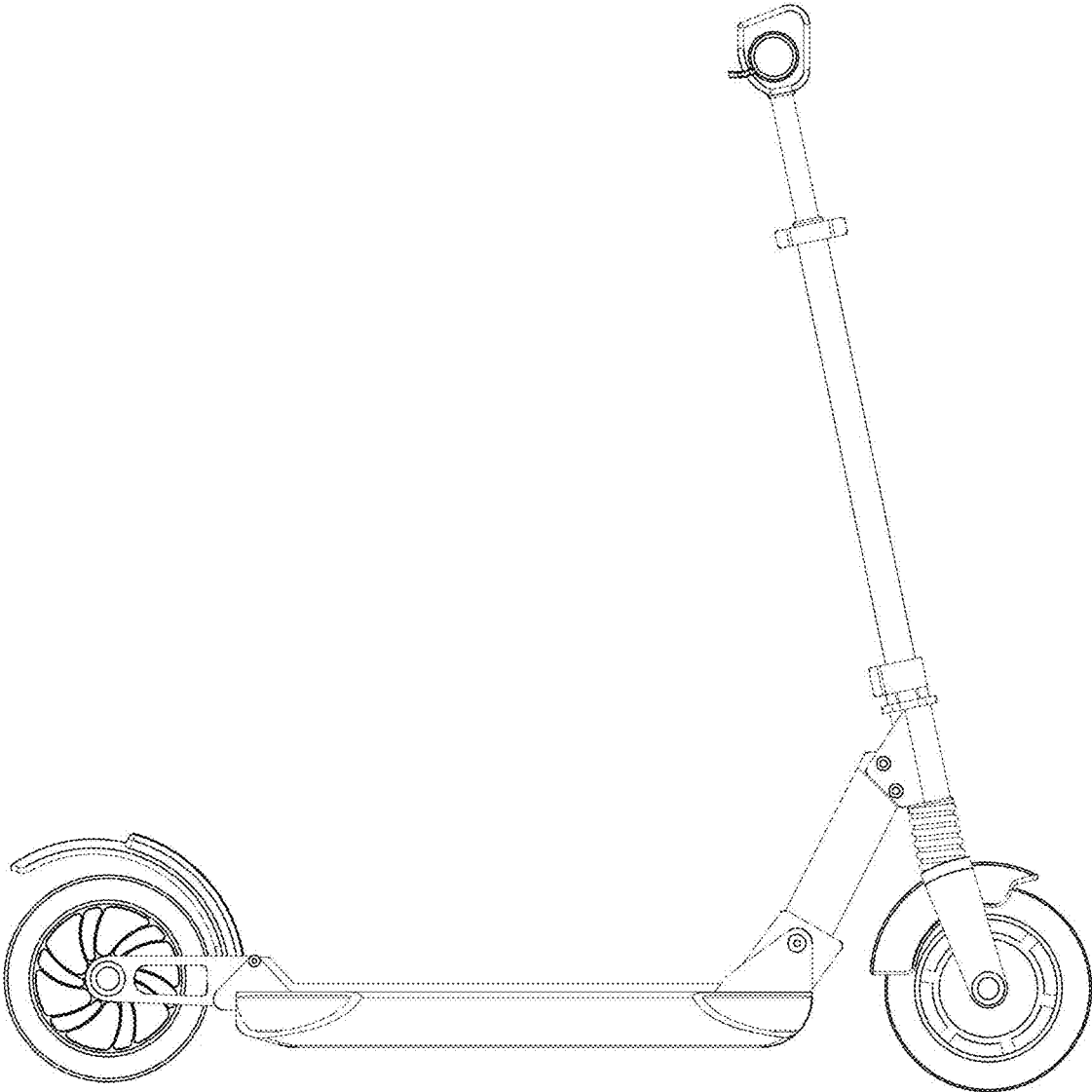


FIG. 3

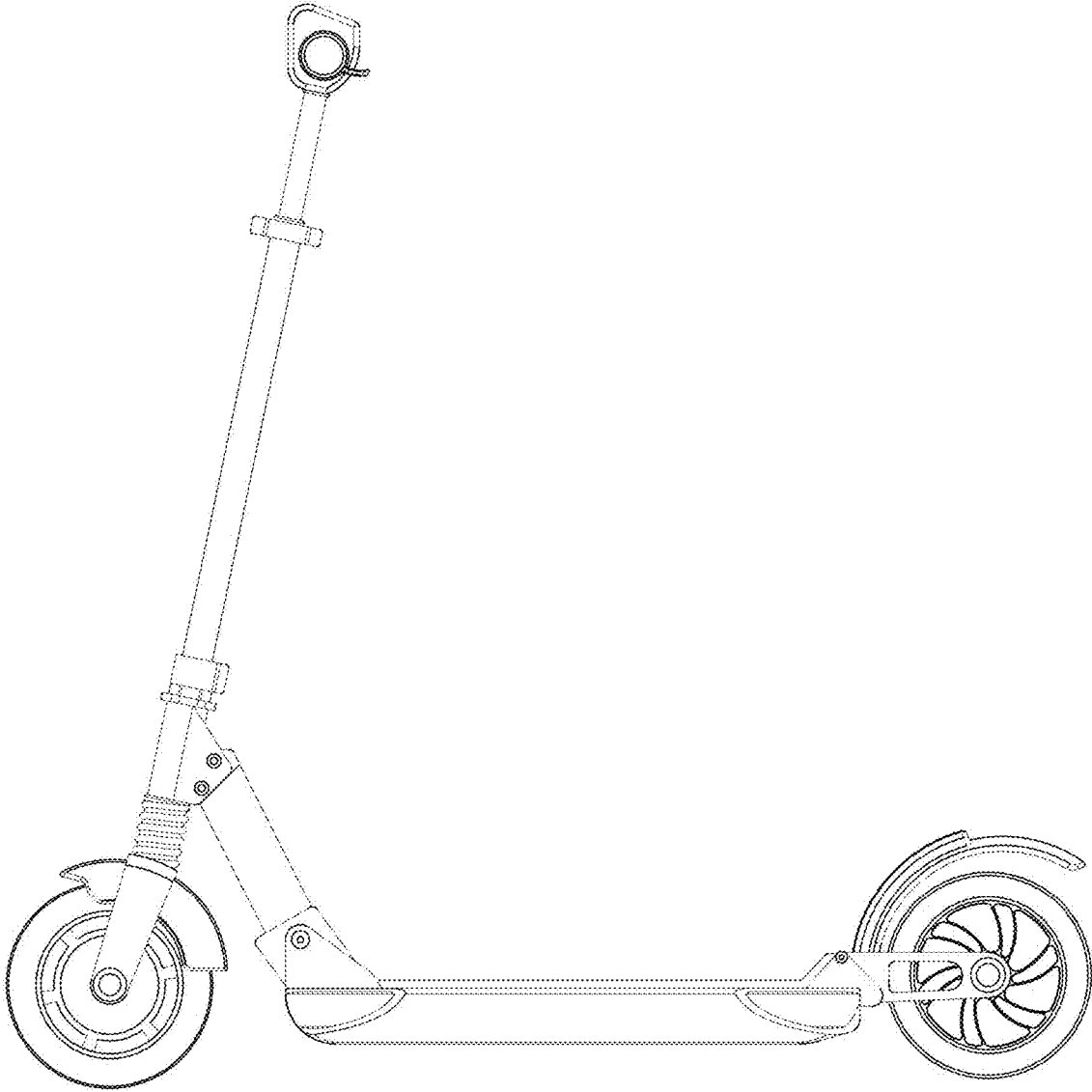


FIG. 4

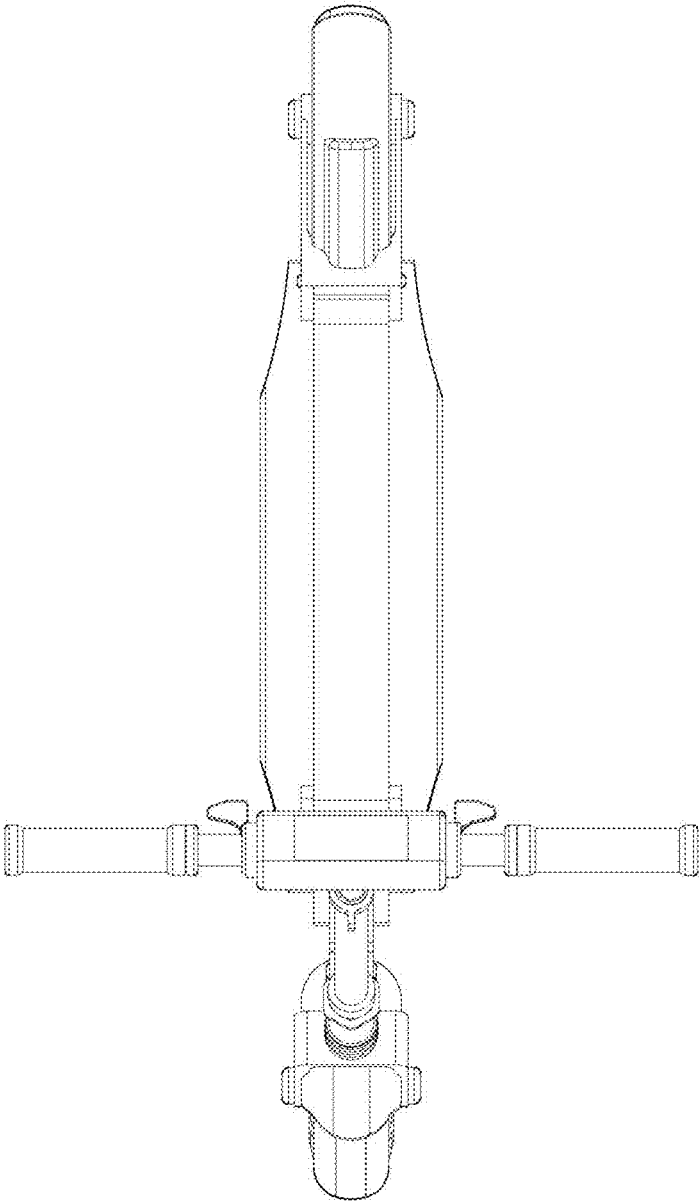


FIG. 5

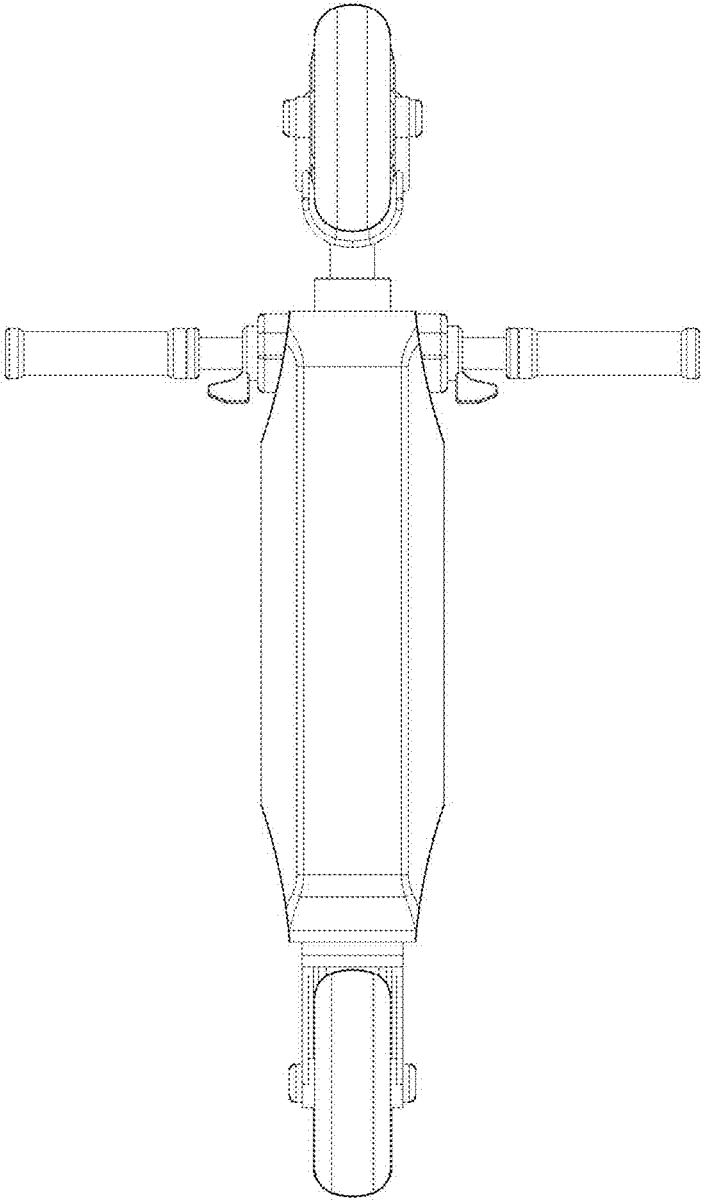


FIG. 6

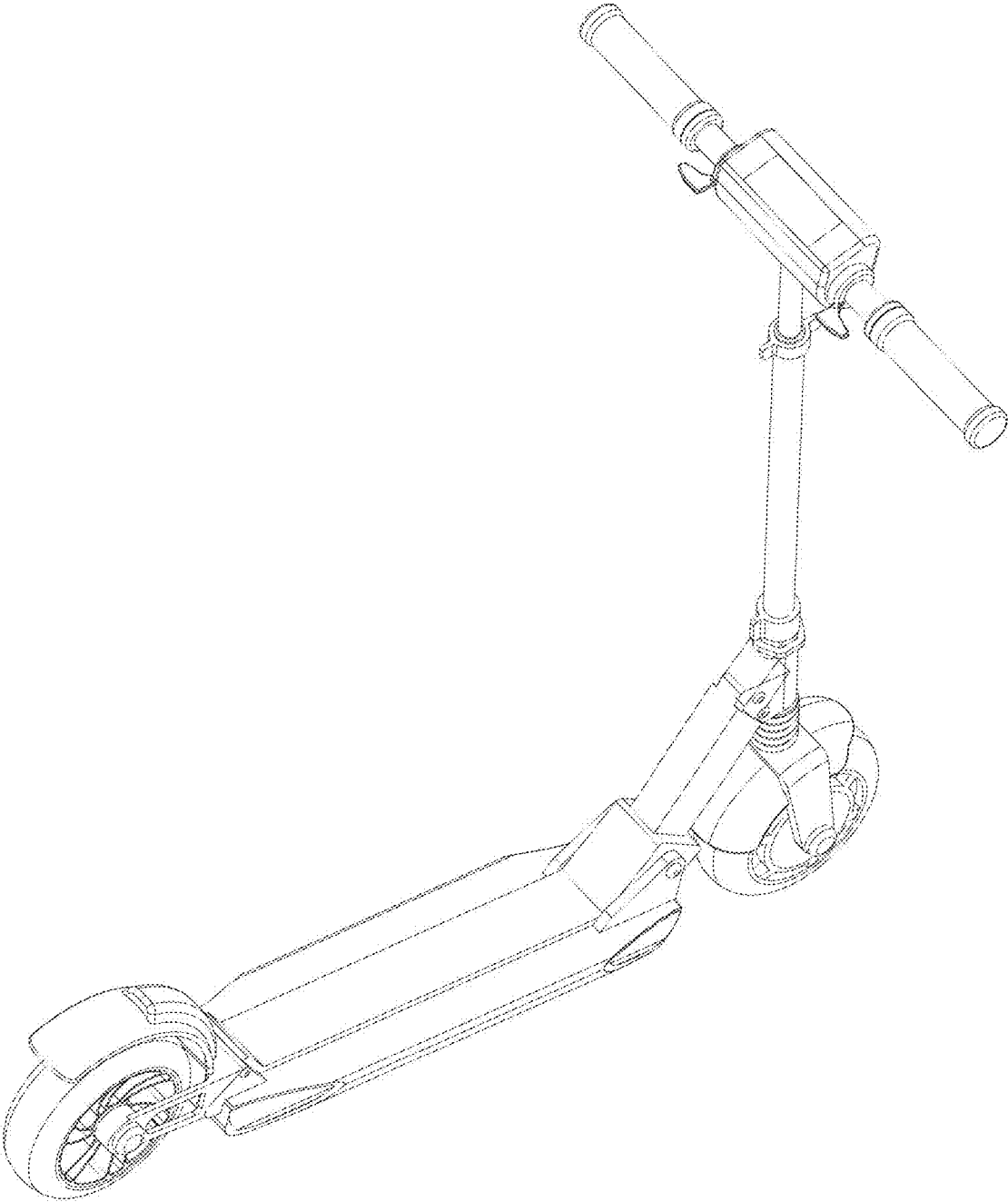


FIG. 7



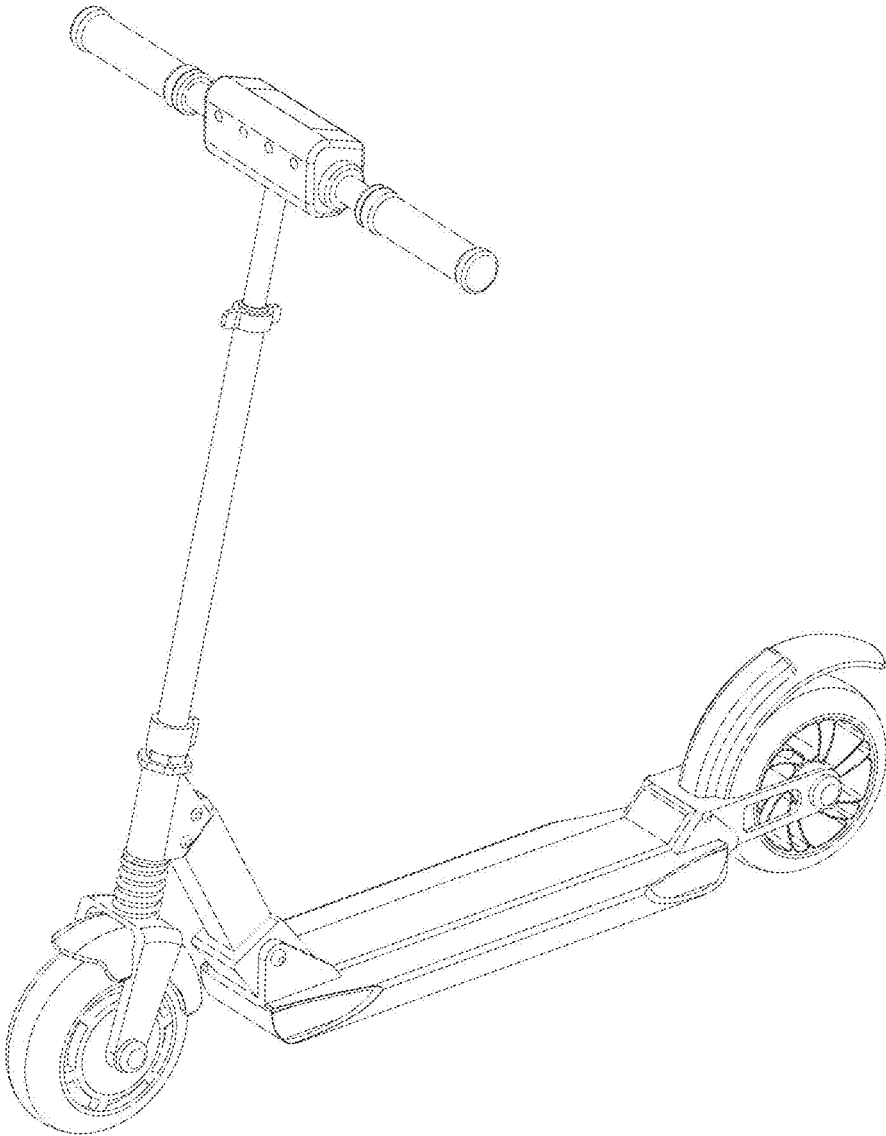


FIG. 8