



US00D793527S

(12) **United States Design Patent**
Zanger et al.

(10) **Patent No.:** **US D793,527 S**

(45) **Date of Patent:** **** Aug. 1, 2017**

(54) **FAUCET SPOUT**

(71) Applicant: **Global Marketing Enterprise (GME) Ltd.**, Tel Aviv (IL)

(72) Inventors: **Israel Zanger**, Tel Aviv (IL); **Zafrira Weisman Zanger**, Tel Aviv (IL)

(**) Term: **15 Years**

(21) Appl. No.: **29/567,561**

(22) Filed: **Jun. 10, 2016**

(30) **Foreign Application Priority Data**

Dec. 15, 2015 (IL) 57837

(51) **LOC (10) Cl.** **23-01**

(52) **U.S. Cl.**

USPC **D23/213; D23/255**

(58) **Field of Classification Search**

USPC D23/213, 255; 4/675-8; 239/428.5,

239/581.1, 582.1, 581.2; 261/DIG. 22

CPC E03C 1/084; E03C 1/0404; B05B 7/0425

See application file for complete search history.

(56) **References Cited**

U.S. PATENT DOCUMENTS

D287,747 S * 1/1987 Miller D23/255

D462,417 S * 9/2002 Wales D23/213

D545,403 S * 6/2007 Kemp D23/213
7,871,020 B2 * 1/2011 Nelson E03C 1/0404
137/801
D785,131 S * 4/2017 Cimino D23/200

* cited by examiner

Primary Examiner — Robin V Webster

(74) *Attorney, Agent, or Firm* — Haim M. Factor

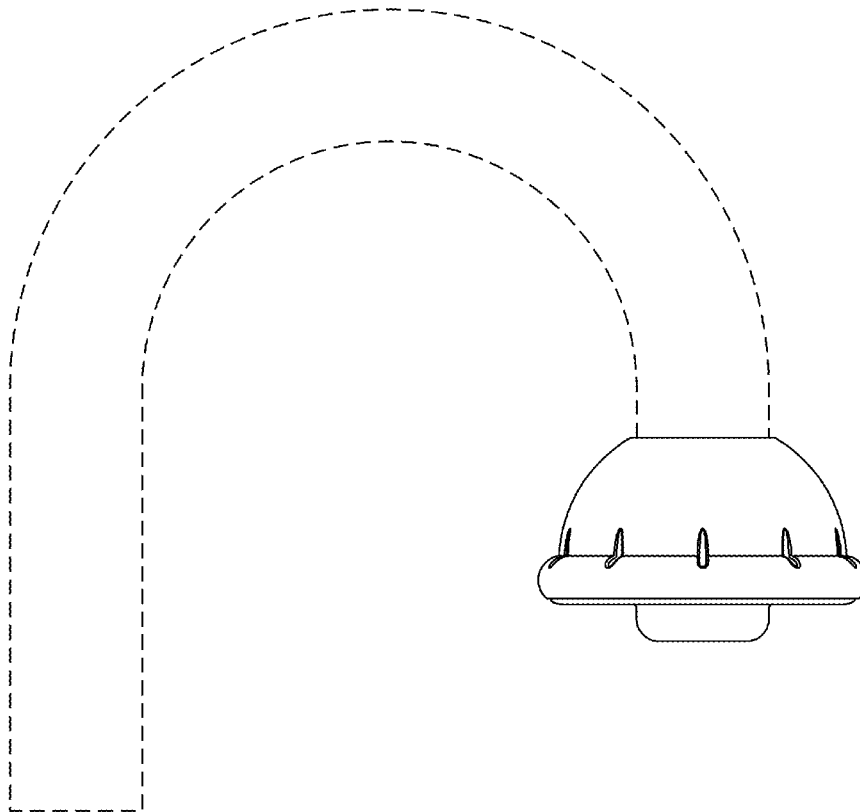
(57) **CLAIM**

The ornamental design for a faucet spout, as shown and described.

DESCRIPTION

FIG. 1 is a front view of a faucet spout showing my design; FIG. 2 is a back view thereof; FIG. 3 is a left side view thereof; FIG. 4 is a right side view thereof; FIG. 5 is a top view thereof; FIG. 6 is a bottom view thereof; and, FIG. 7 is side view of the faucet spout attached to a conduit. The dashed lines in FIG. 7 depict unclaimed portions of the faucet spout as being used. The dashed lines from no part of the claimed design.

1 Claim, 7 Drawing Sheets



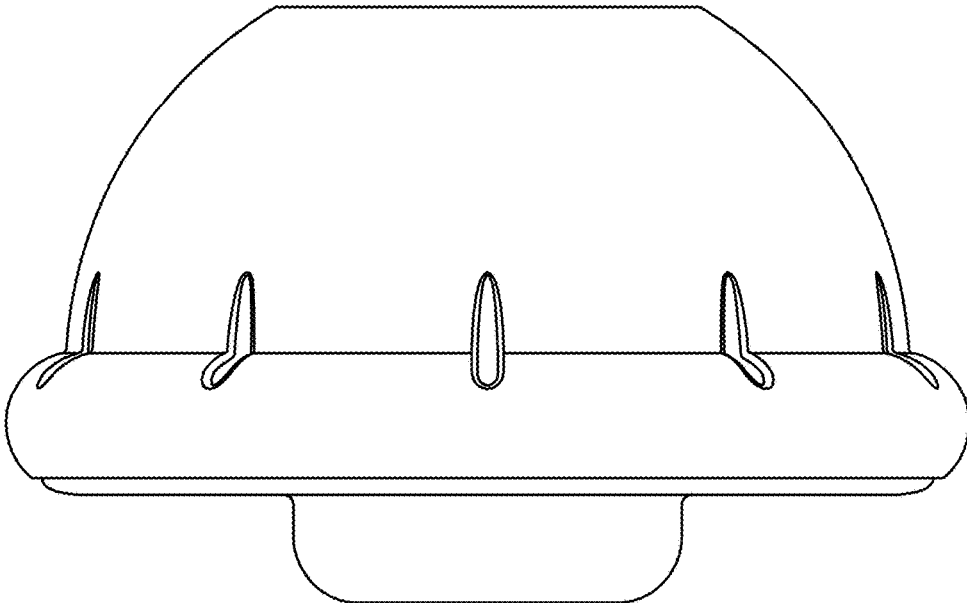


FIG 1

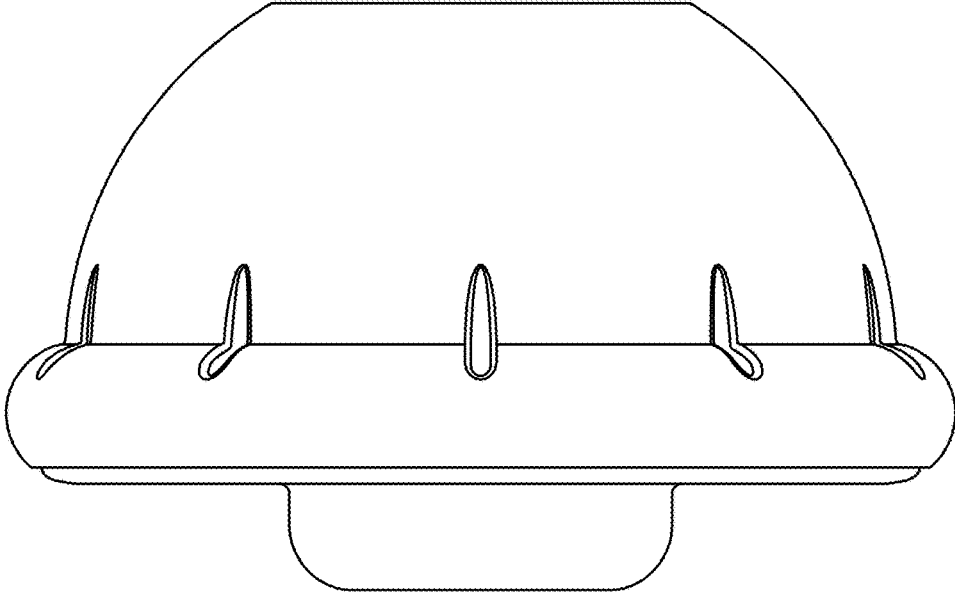


FIG 2

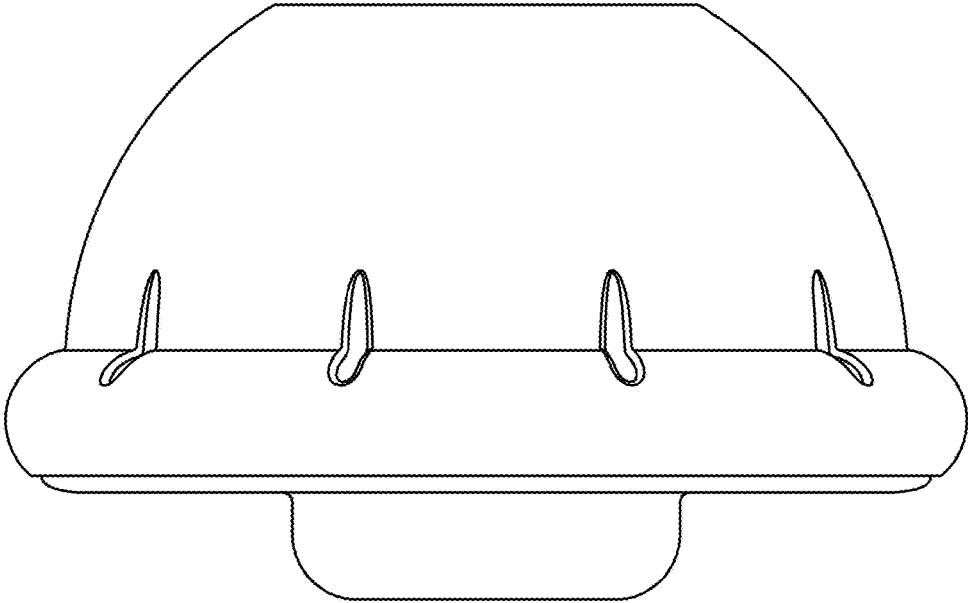


FIG 3

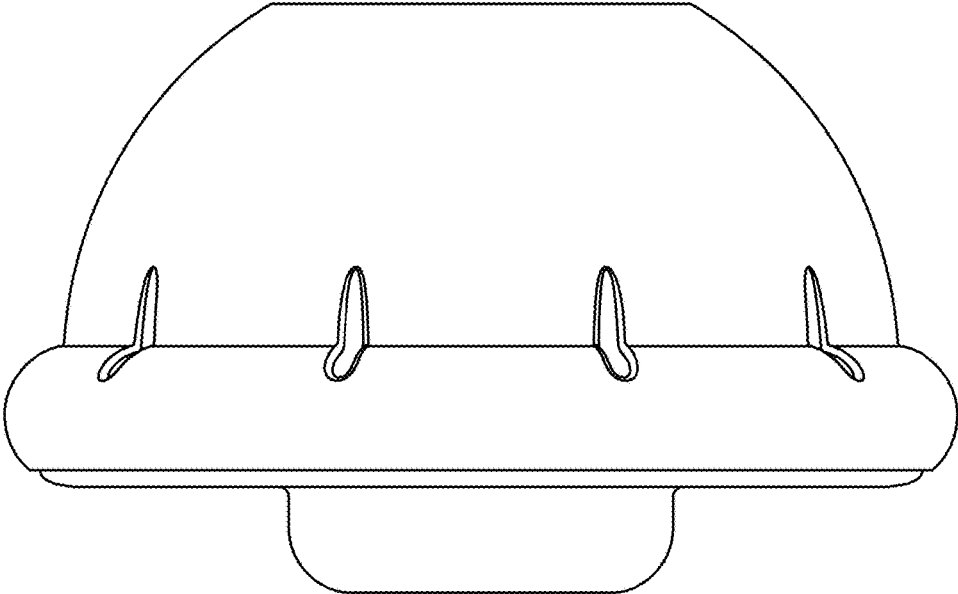


FIG 4

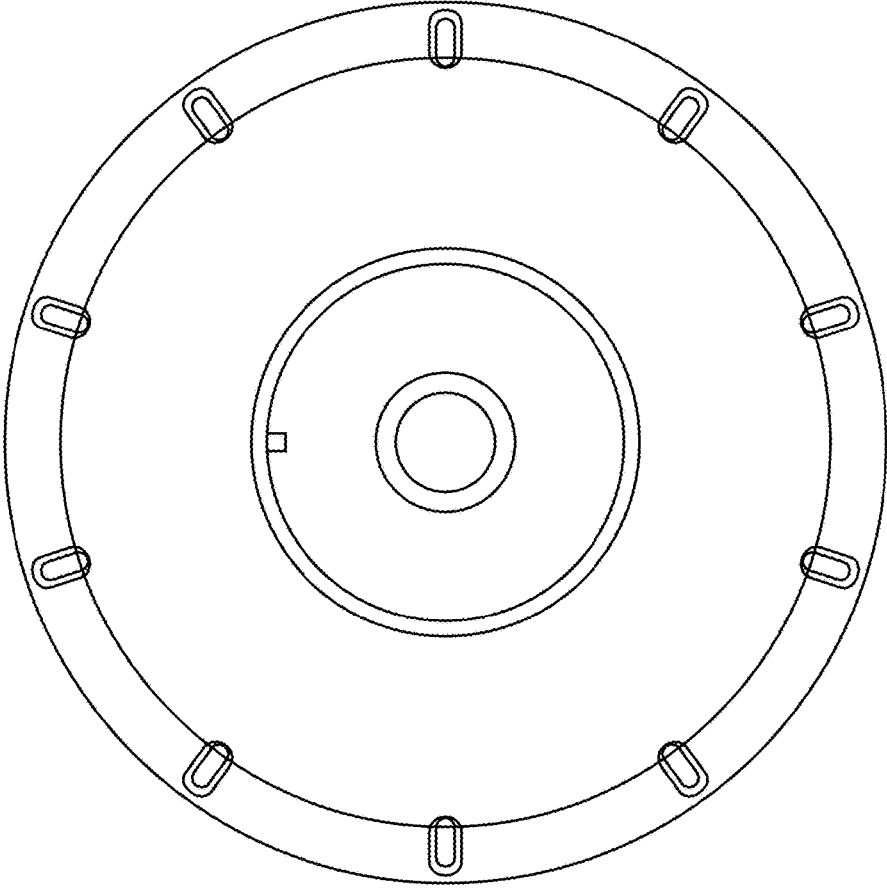


FIG 5

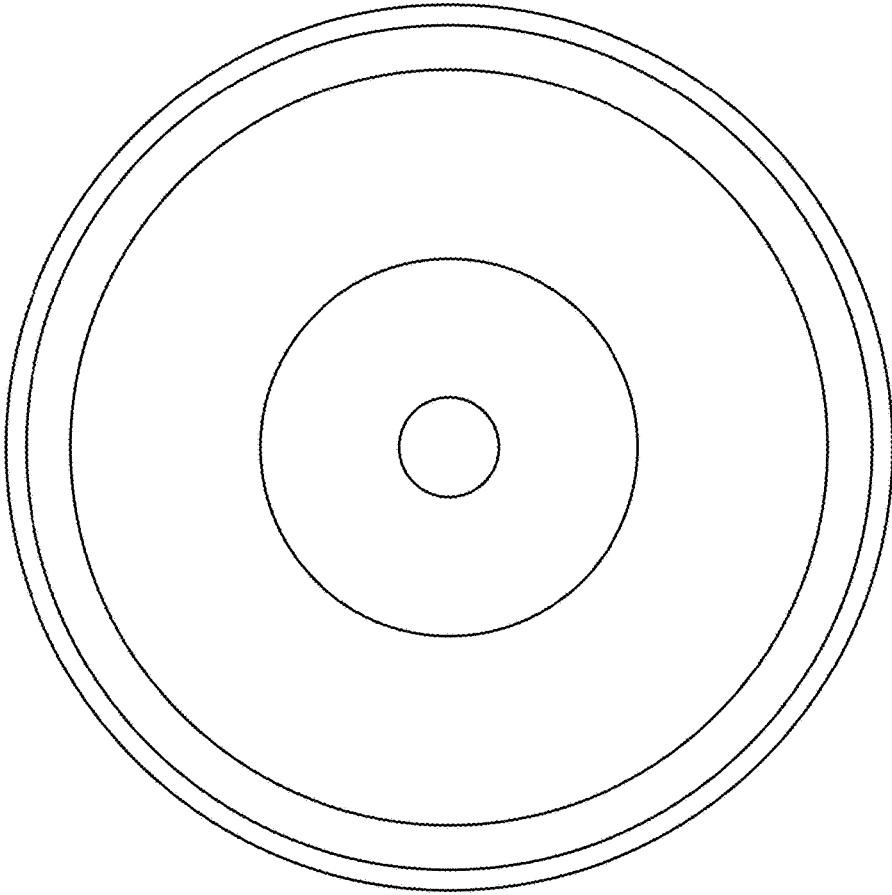


FIG 6

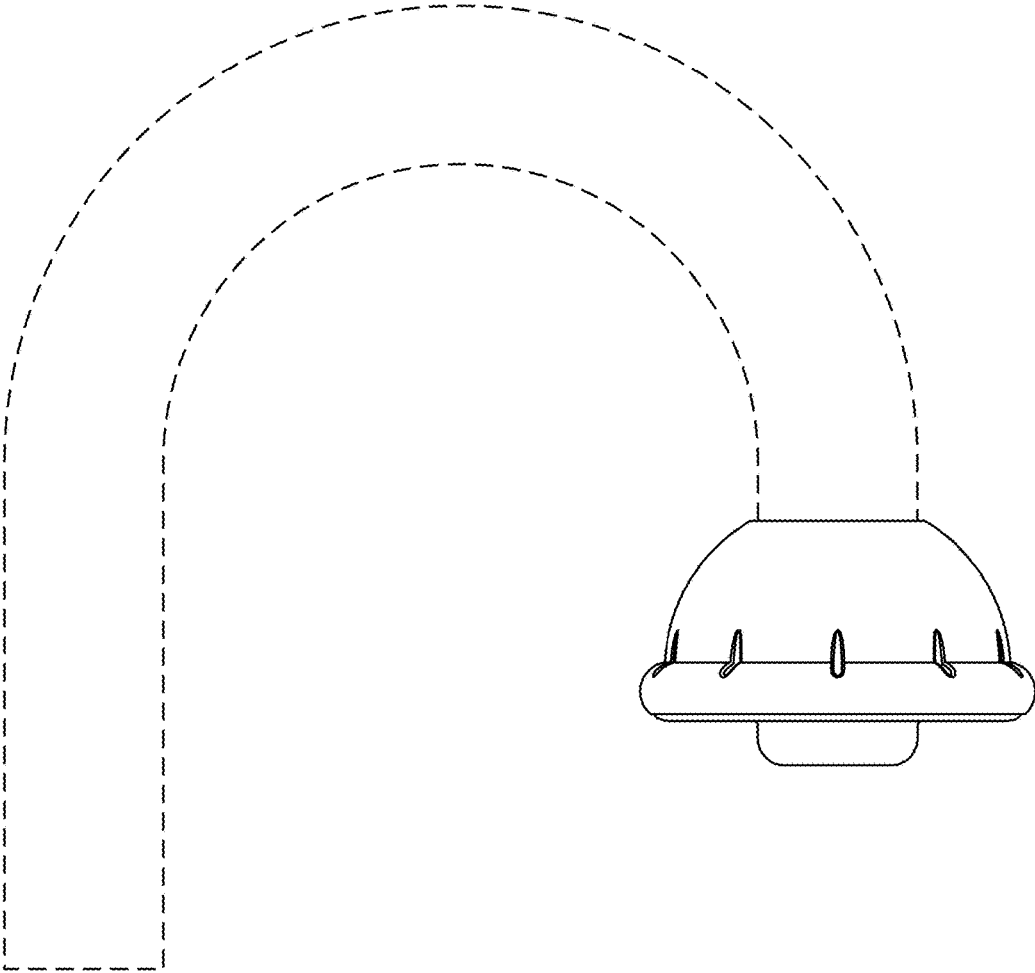


FIG 7