

# DESIGN.

No. 33,188.

Patented Sept. 11, 1900.

E. KÖHLER.  
TILE.

(Application filed June 28, 1900.)

FIG. 1.

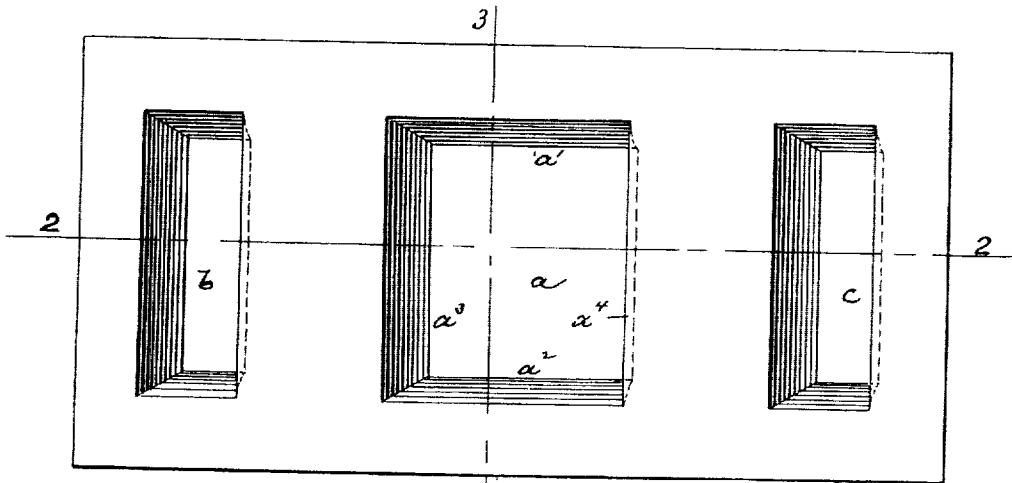


FIG. 2.

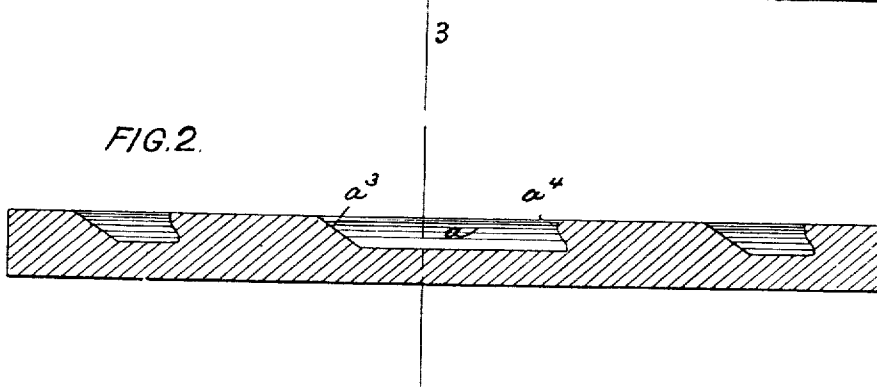
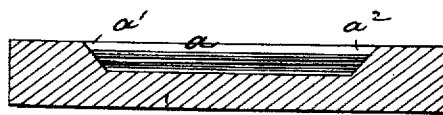


FIG. 3.



Witnesses:  
*John Becker.*  
*John Hickman.*

Inventor:  
*Emil Köhler*  
 by his attorneys  
*Boeder & Briscoe*

# UNITED STATES PATENT OFFICE.

EMIL KÖHLER, OF NEW YORK, N. Y., ASSIGNOR TO THE AMERICAN  
ENCAUSTIC TILING COMPANY, LIMITED, OF SAME PLACE.

## DESIGN FOR A TILE.

SPECIFICATION forming part of Design No. 33,188, dated September 11, 1900.

Application filed June 28, 1900. Serial No. 21,999. Term of patent 14 years.

*To all whom it may concern:*

Be it known that I, EMIL KÖHLER, a citizen  
of the United States, and a resident of New  
York city, county and State of New York,  
5 have invented and produced a new and original  
Design for Tiles, of which the following is  
a specification, reference being had to the ac-  
companying drawings, in which—

Figure 1 is a plan view of a tile showing my  
10 design; Fig. 2, a longitudinal section on line  
2 2, Fig. 1; and Fig. 3, a transverse section on  
line 3 3, Fig. 1.

The leading feature of the design consists  
of a tile having rectangular recesses  $a b c$  in  
15 one of its faces, each recess being of rectan-  
gular shape. Two parallel opposite sides of  
each recess are straight and are inclined out-  
wardly, as shown at  $a' a^2$ , Fig. 3. The third  
side  $a^3$  is also straight and inclined outwardly,

while the fourth side  $a^4$  is parallel to side  $a^3$  20  
and is curved and inclined inwardly, as shown  
in Fig. 2. Thus while the sides  $a' a^2$  slant in  
opposite directions and diverge from the base  
of the recess toward the rear of the face of  
the tile the sides  $a^3 a^4$  slant substantially in 25  
the same direction. The central recess  $a$  is  
shown to be square, and the outer recesses  $b c$   
are shown to be oblong.

What I claim is—

The design for a tile, substantially as herein 30  
shown and described.

Signed by me at New York city, county and  
State of New York, this 27th day of June, 1900.

EMIL KÖHLER.

Witnesses:

WILLIAM SCHULZ,  
F. v. BRIESEN.