



US00D929384S

(12) **United States Design Patent**
Park et al.

(10) **Patent No.:** **US D929,384 S**

(45) **Date of Patent:** **** Aug. 31, 2021**

- (54) **CASE FOR ELECTRONIC COMMUNICATIONS DEVICE**
- (71) Applicant: **Samsung Electronics Co., Ltd.,**
Suwon-si (KR)
- (72) Inventors: **Hyoung Shin Park,** Suwon-si (KR);
Chong-Yoon Chung, Suwon-si (KR);
Min Ah Koh, Suwon-si (KR)

- D705,721 S * 5/2014 Huang D13/103
- D709,484 S * 7/2014 Yoo D14/250
- D712,351 S * 9/2014 Zeng D13/108
- D762,204 S * 7/2016 Armstrong D14/250
- D776,105 S * 1/2017 Han D14/250
- D789,347 S * 6/2017 Zamudio D14/250
- D853,376 S * 7/2019 Jeong D14/250
- D860,933 S * 9/2019 Sun D13/108
- D861,665 S * 10/2019 Li D14/250

(Continued)

- (73) Assignee: **Samsung Electronics Co., Ltd.,**
Suwon-si (KR)

Primary Examiner — Carla J Wright
(74) *Attorney, Agent, or Firm* — NSIP Law

(**) Term: **15 Years**

(57) **CLAIM**

We claim the ornamental design for a case for electronic communications device, as shown and described.

(21) Appl. No.: **29/691,435**

(22) Filed: **May 16, 2019**

DESCRIPTION

(30) **Foreign Application Priority Data**

Dec. 21, 2018 (KR) 30-2018-0060849

(51) **LOC (13) Cl.** **14-03**

(52) **U.S. Cl.**

USPC **D14/250**

(58) **Field of Classification Search**

USPC D14/203.3–203.7, 439, 251–253, 447,
D14/217, 240, 238.1, 250, 440, 248;
D13/107–108, 103, 119; D3/201, 218,
D3/247, 249, 269, 273, 301, 303
CPC . H04B 1/3888; A45C 13/02; A45C 2011/002;
A45C 1/06; A45C 11/00; A45F 2005/026;
A45F 2200/0525; A45F 2200/0516;
H04M 1/0283; H04M 1/0202

See application file for complete search history.

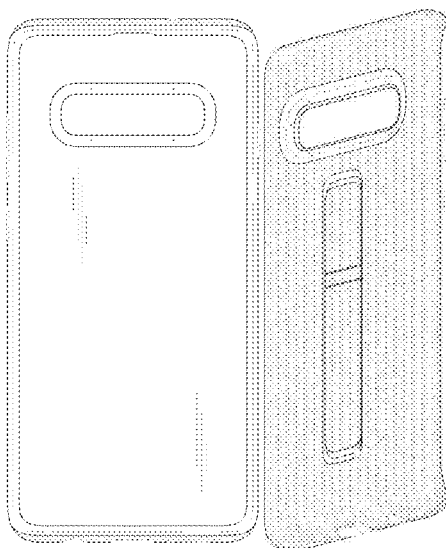
FIG. 1 is a front, right-side, and top perspective view of a case for electronic communications device showing our new design;
FIG. 2 is a front view thereof;
FIG. 3 is a rear view thereof;
FIG. 4 is a left-side view thereof;
FIG. 5 is a right-side view thereof;
FIG. 6 is a top view thereof;
FIG. 7 is a bottom view thereof;
FIG. 8 is a rear, left-side, and bottom perspective view thereof;
FIG. 9 is a left-side view thereof showing the top support stand in a deployed position; and,
FIG. 10 is a left-side view thereof showing the bottom support stand in a deployed position.
The evenly-dashed broken lines in the figures depict portions of the case for electronic device which form no part of the claimed design.
The dense stippled shading in the drawing figures illustrates the contour of the claimed design and does not depict surface ornamentation.

(56) **References Cited**

U.S. PATENT DOCUMENTS

- D648,332 S * 11/2011 Kim D14/248
- D659,691 S * 5/2012 Kim D14/250
- D691,123 S * 10/2013 Lay D14/250

1 Claim, 10 Drawing Sheets



(56)

References Cited

U.S. PATENT DOCUMENTS

D889,433 S * 7/2020 Yu D14/214
D898,667 S * 10/2020 Liu D13/108
D902,912 S * 11/2020 Kim D14/250
D912,035 S * 3/2021 Lee D14/250
D915,371 S * 4/2021 Cho D14/250
2012/0006950 A1* 1/2012 Vandiver F16M 11/105
248/176.3
2016/0278492 A1* 9/2016 Morszeck A45C 5/02
2018/0041237 A1* 2/2018 Mody H04B 1/3877
2019/0216195 A1* 7/2019 Stagge H04B 1/3888
2021/0059370 A1* 3/2021 Del Toro F16M 13/00

* cited by examiner

FIG. 1

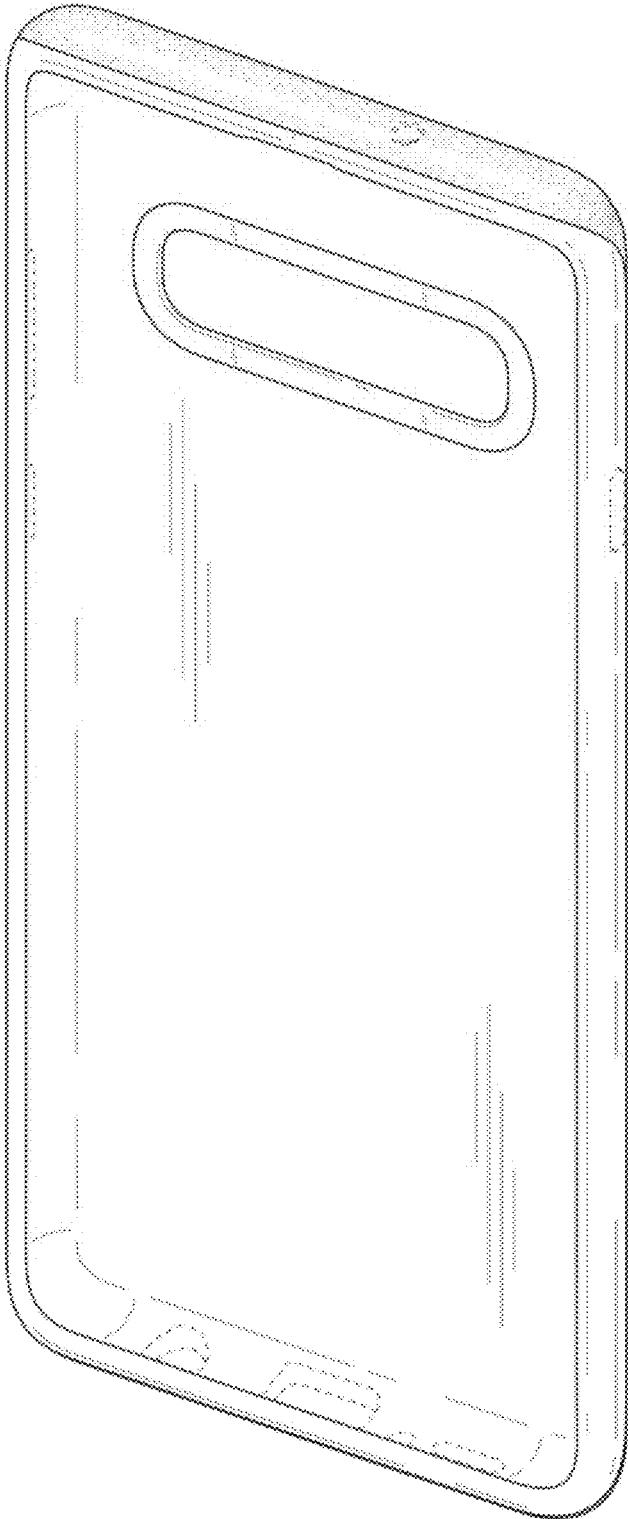


FIG. 2

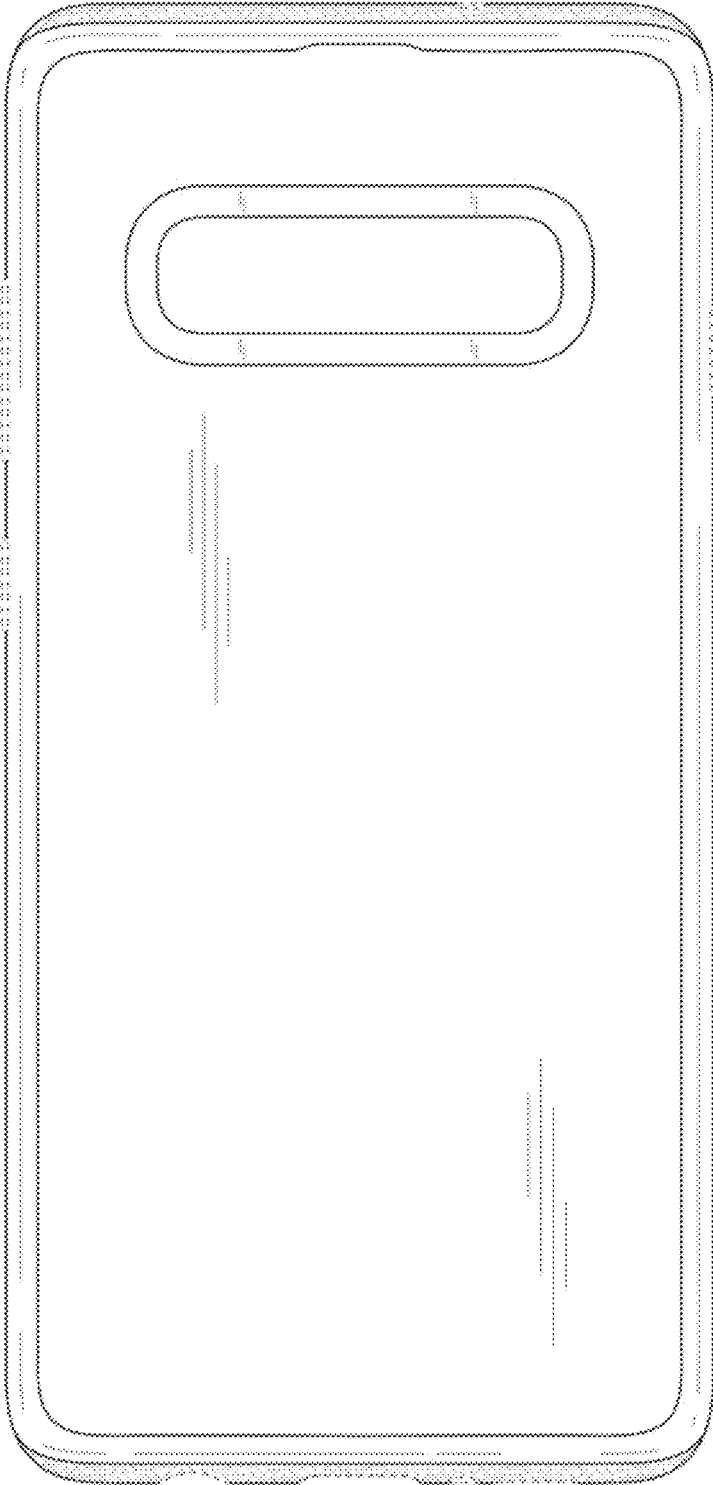


FIG. 3

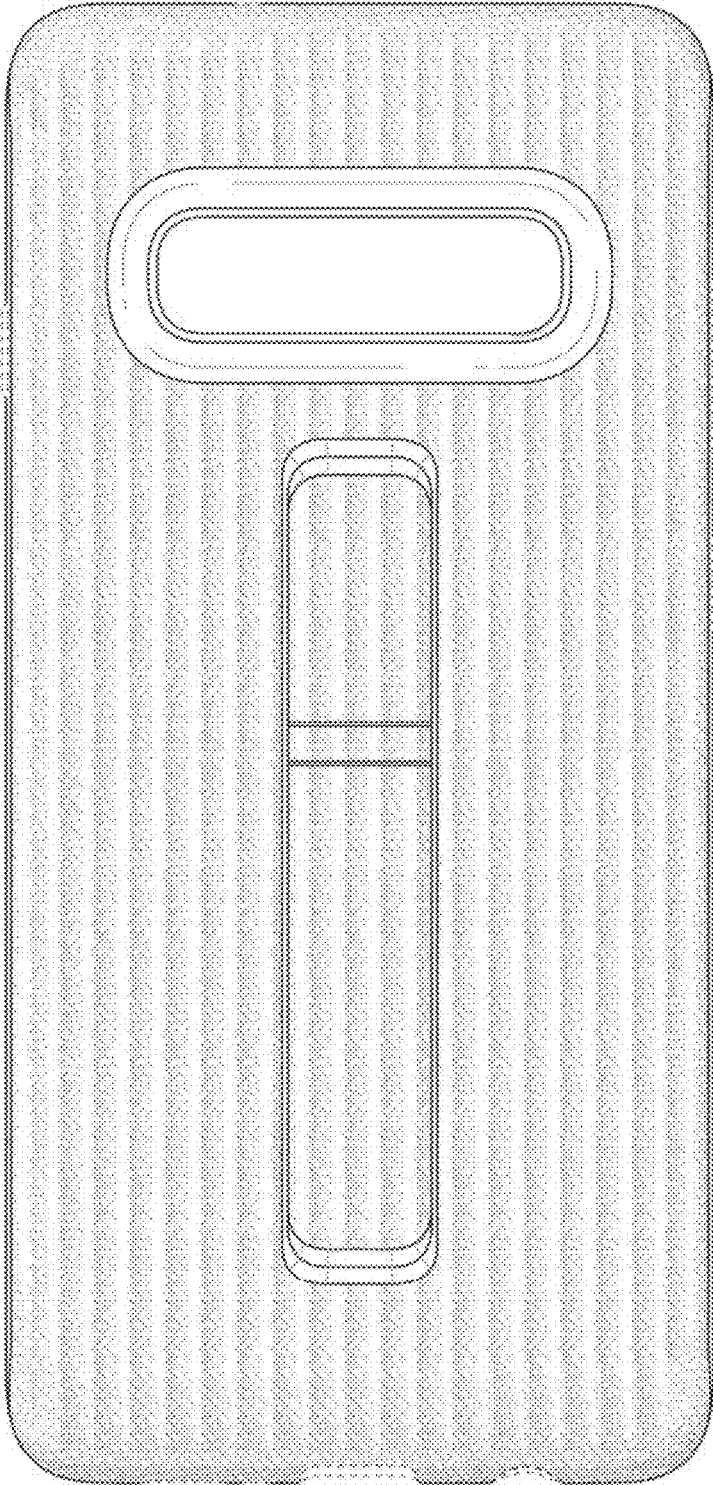


FIG. 4

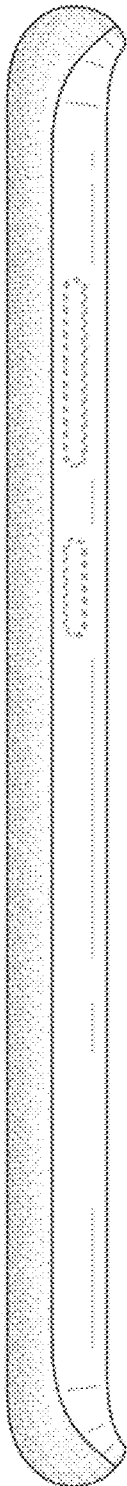


FIG. 5

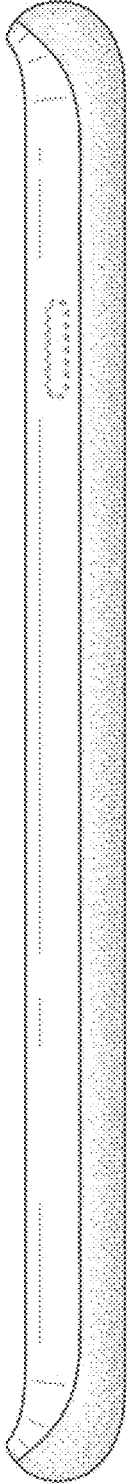


FIG. 6



FIG. 7



FIG. 8

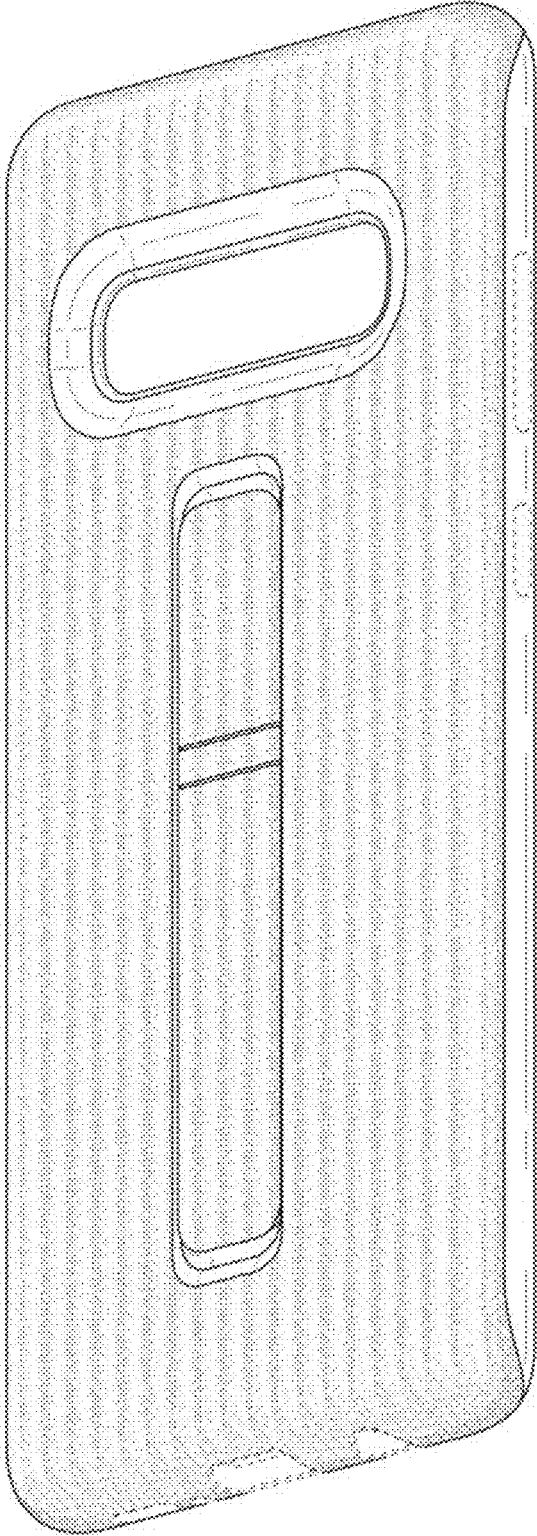


FIG. 9

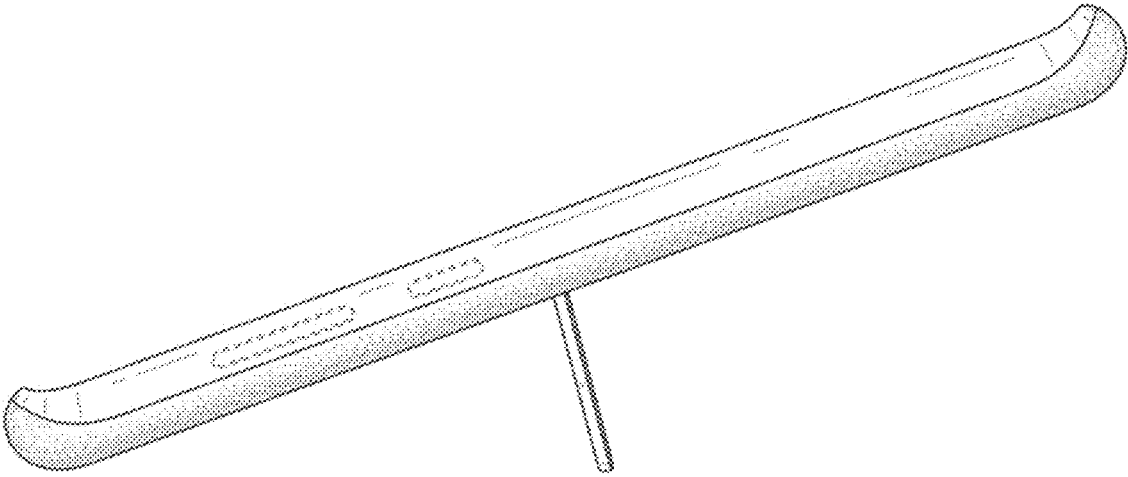


FIG. 10

