



(12) **United States Design Patent**
Rao

(10) **Patent No.:** **US D1,047,043 S**
(45) **Date of Patent:** **** Oct. 15, 2024**

(54) **GOLF BALL RETRIEVER**

FOREIGN PATENT DOCUMENTS

(71) Applicant: **Dongguan Jerui Sports Goods Co., Ltd.**, Dongguan (CN)

GB 6201769 * 4/2022

(72) Inventor: **Zuosi Rao**, Dongguan (CN)

OTHER PUBLICATIONS

(73) Assignee: **Dongguan Jerui Sports Goods Co., Ltd.**, Dongguan (CN)

“Golf Ball Retriever,” evidence of posting via customer question Mar. 27, 2021; retrieved from Internet Jun. 17, 2024; <https://www.golfdiscout.com/search-n-rescue-mini-hide-away-magic-gripper-ball-retriever> (Year: 2021).*

(**) Term: **15 Years**

(Continued)

(21) Appl. No.: **29/853,920**

Primary Examiner — Steven J Czyz

(22) Filed: **Sep. 20, 2022**

Assistant Examiner — Matthew O Williams

(30) **Foreign Application Priority Data**

(74) *Attorney, Agent, or Firm* — Birchwood IP

Apr. 1, 2022 (CN) 202230182266.8

(57) **CLAIM**

(51) **LOC (14) Cl.** **21-02**

The ornamental design for a golf ball retriever, as shown and described.

(52) **U.S. Cl.**

USPC **D21/793**; D21/759; D21/721

(58) **Field of Classification Search**

USPC D21/753, 754, 759, 793

CPC .. A63B 60/00; A63B 71/0036; A63B 71/0045

See application file for complete search history.

DESCRIPTION

(56) **References Cited**

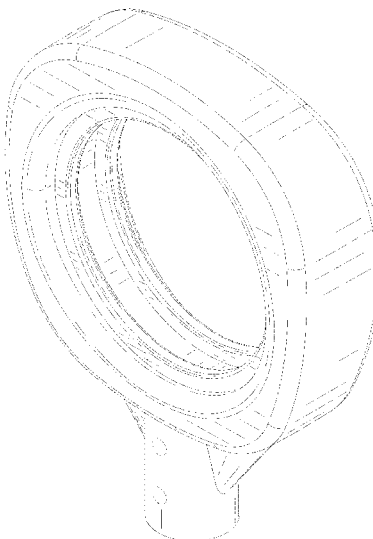
U.S. PATENT DOCUMENTS

D266,264	S	*	9/1982	West	D21/721
4,659,125	A	*	4/1987	Chuan	A63B 47/02
						403/104
4,733,681	A	*	3/1988	Lee	A63B 47/02
						D21/721
D306,058	S	*	2/1990	Blake	D21/721
5,184,859	A	*	2/1993	Nihra	A63B 47/02
						294/19.2
5,188,409	A	*	2/1993	Forey	A63B 57/00
						473/286
5,261,434	A	*	11/1993	Fodero	A63B 47/02
						403/329
D349,739	S	*	8/1994	Kahl, Jr.	D21/721

(Continued)

FIG. 1 is a front, top and right side perspective view of a golf ball retriever, showing my new design;
FIG. 2 is a rear, bottom and left side perspective view thereof;
FIG. 3 is a front view thereof;
FIG. 4 is a rear view thereof;
FIG. 5 is a left side view thereof;
FIG. 6 is a right side view thereof;
FIG. 7 is a top plan view thereof;
FIG. 8 is a bottom plan view thereof;
FIG. 9 is a perspective view of the golf ball retriever in a use state view; and,
FIG. 10 is another perspective view of the golf ball retriever in a use status.
The broken lines shown in the drawings illustrate portions of the golf ball retriever that form no part of the claimed design.

1 Claim, 10 Drawing Sheets



(56)

References Cited

U.S. PATENT DOCUMENTS

5,368,352 A * 11/1994 Juhas A63B 47/02
294/19.2
5,423,584 A * 6/1995 Pasternak A63B 47/02
403/104
10,213,657 B1 * 2/2019 Klevana A63B 47/02
2007/0066416 A1 * 3/2007 Trudeau A63B 57/357
473/219
2008/0191503 A1 * 8/2008 Spacone A63B 47/02
294/19.2
2015/0202766 A1 * 7/2015 Light A63B 47/02
16/429

OTHER PUBLICATIONS

“New JP Lann 15 Golf Ball Retriever—Orange,” reviewed online Apr. 19, 2021; retrieved from Internet Jun. 17, 2024; https://www.walmart.com/ip/New-JP-Lann-15-Golf-Ball-Retriever-Orange-Cup/127089928?wmlspartner=wlp&selectedSellerId=844&adid=2222222227127089928_844_148584345741_18632966389&wl0=&wl1=g&wl2 (Year: 2021).*

“Champkey Two Sided 12Ft Retriever,” posted to Amazon Apr. 18, 2022; retrieved from Internet Jun. 17, 2024; https://www.amazon.com/CHMAPKEY-Two-Sided-12Ft-Retriever-Version/dp/B09Y5NN7Z8/ref=asc_df_B09Y5NN7Z8/?tag=hyprod-20&linkCode=df0&hvadid=693769151255&hvpos=&hvnetw=g&hvrnd=1328834667116806582&hvpone= (Year: 2022).*

* cited by examiner

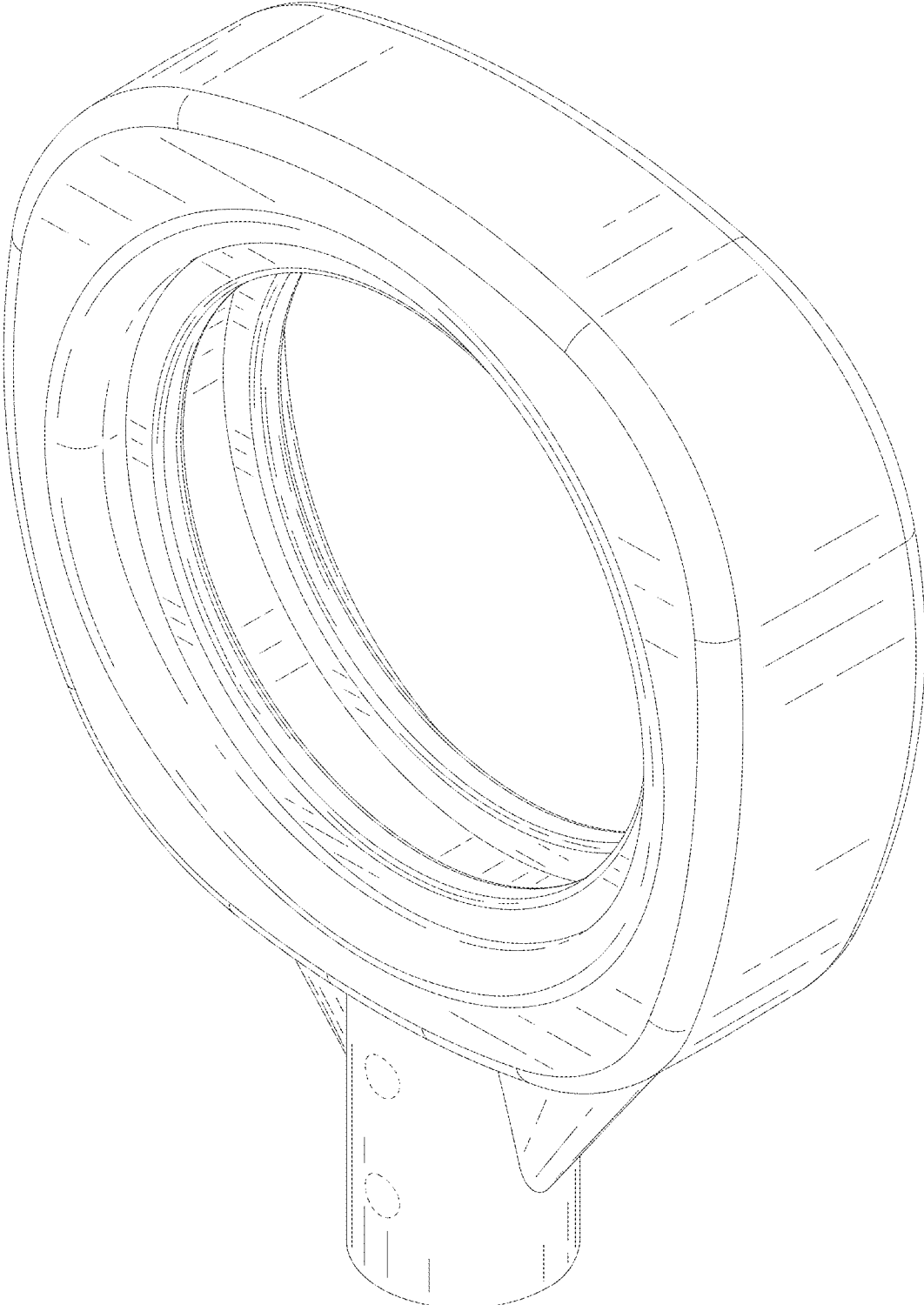


FIG. 1

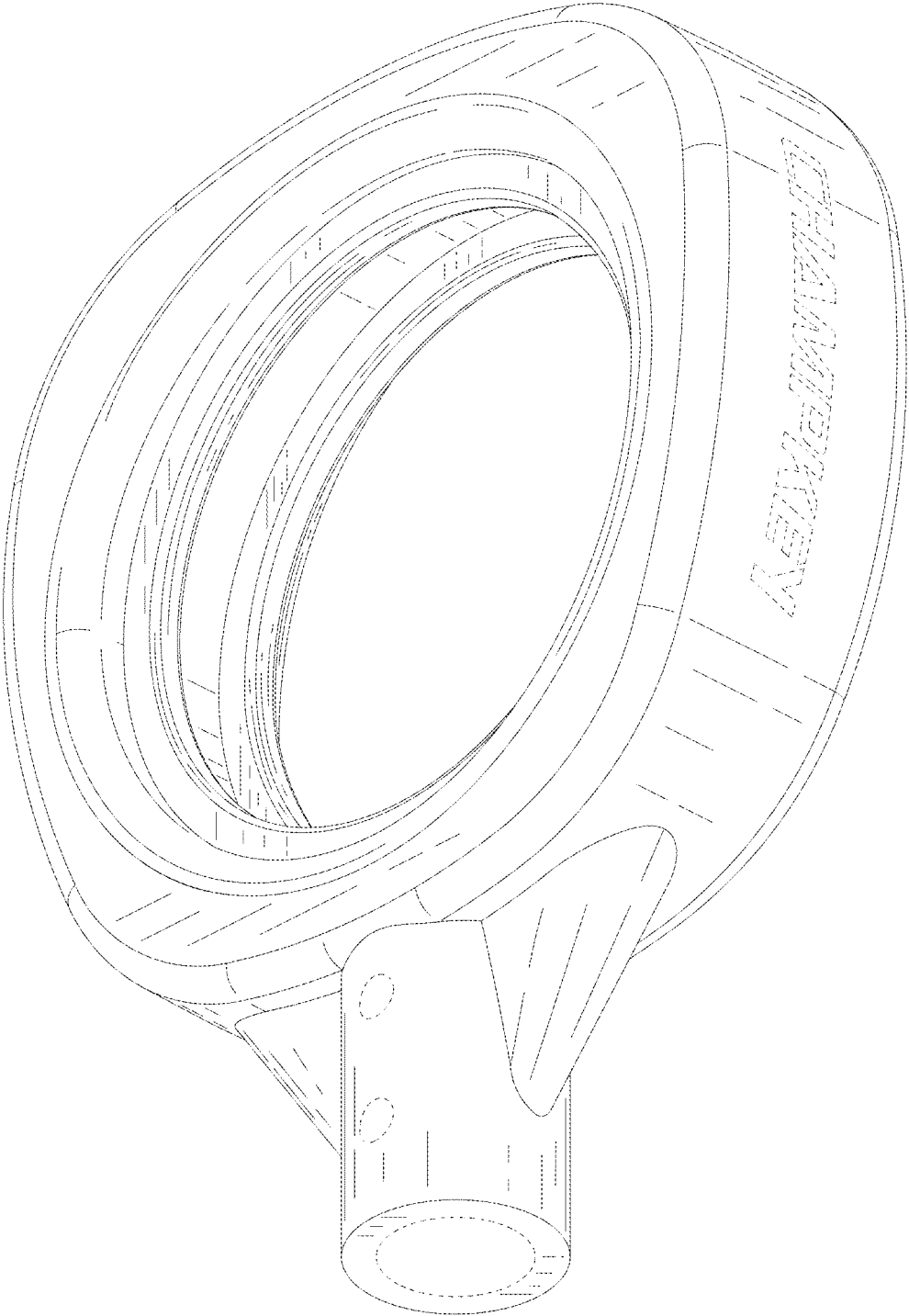


FIG. 2

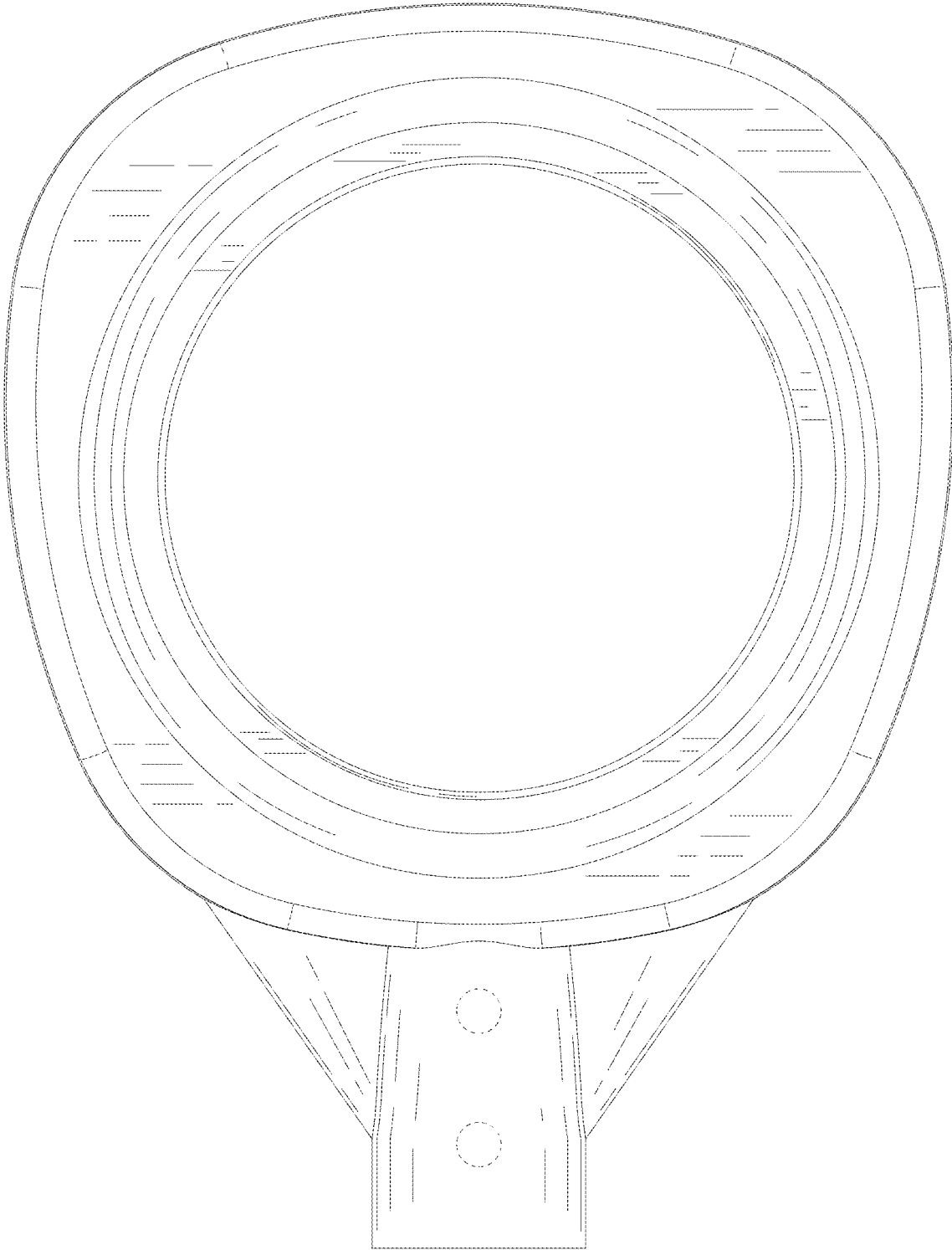


FIG. 3

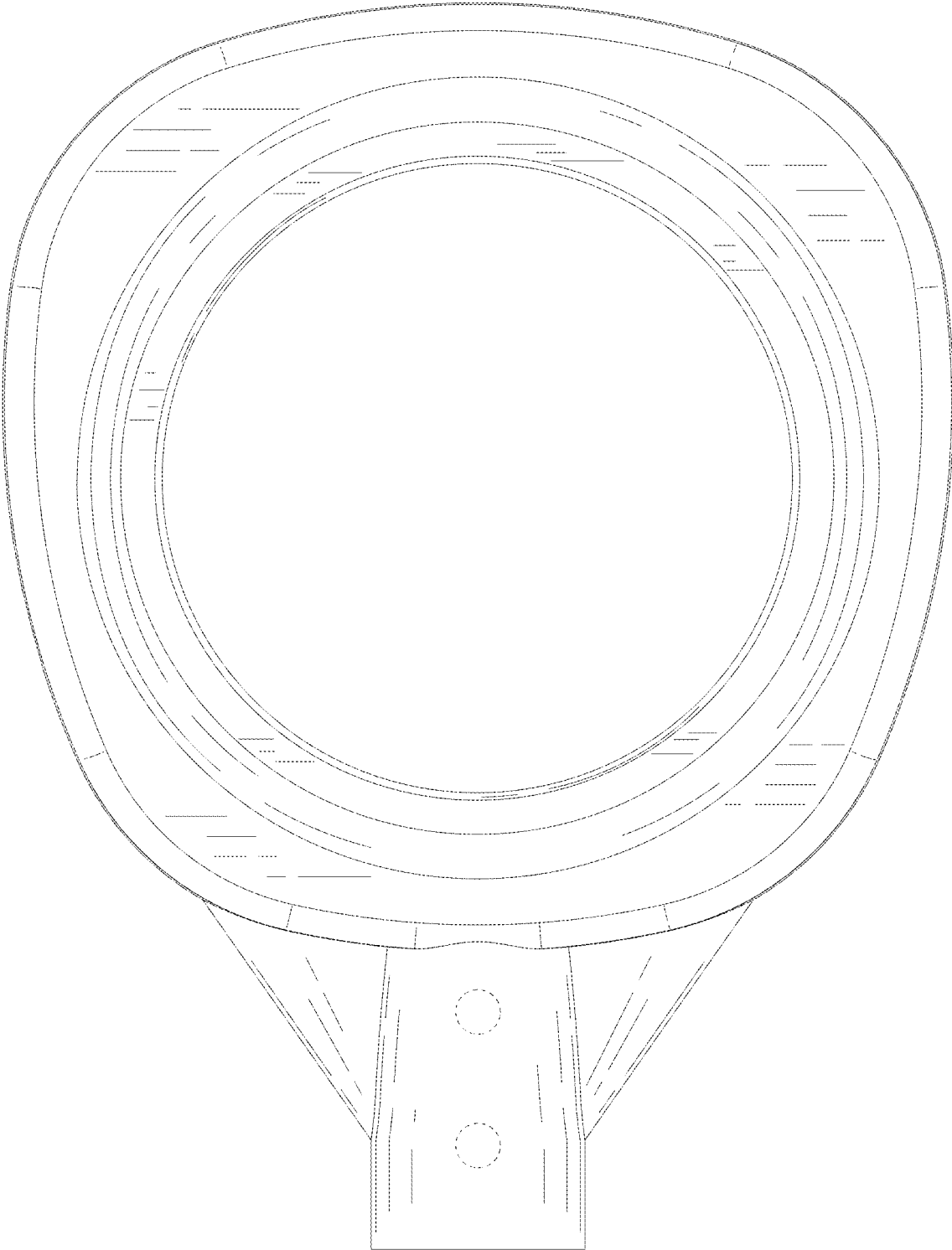


FIG. 4

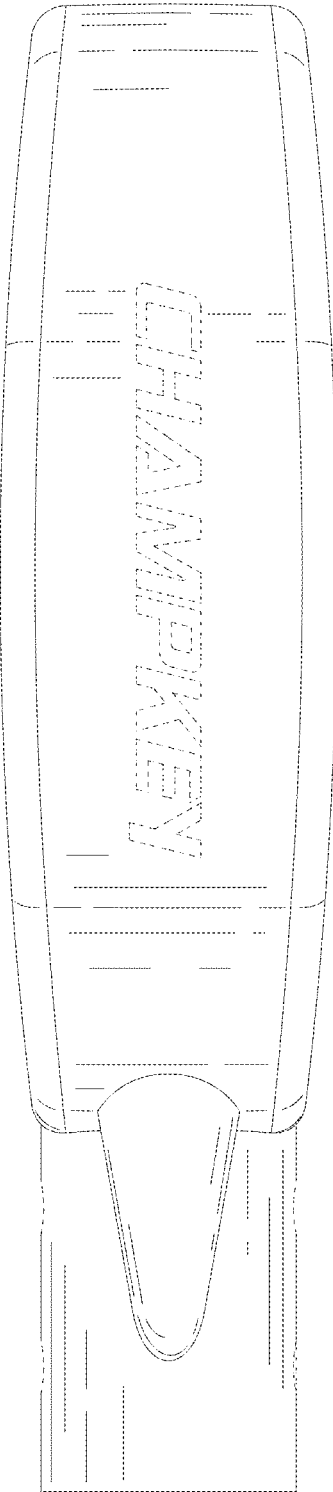


FIG. 5

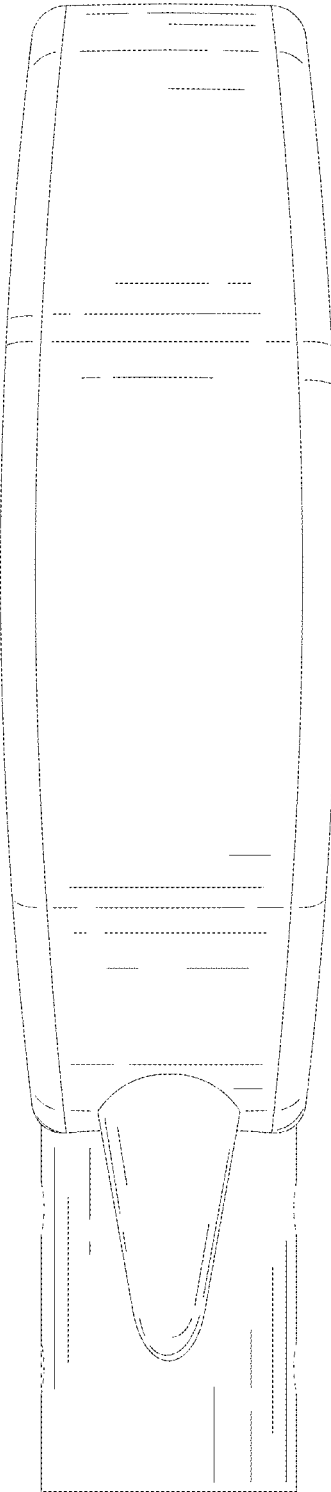


FIG. 6

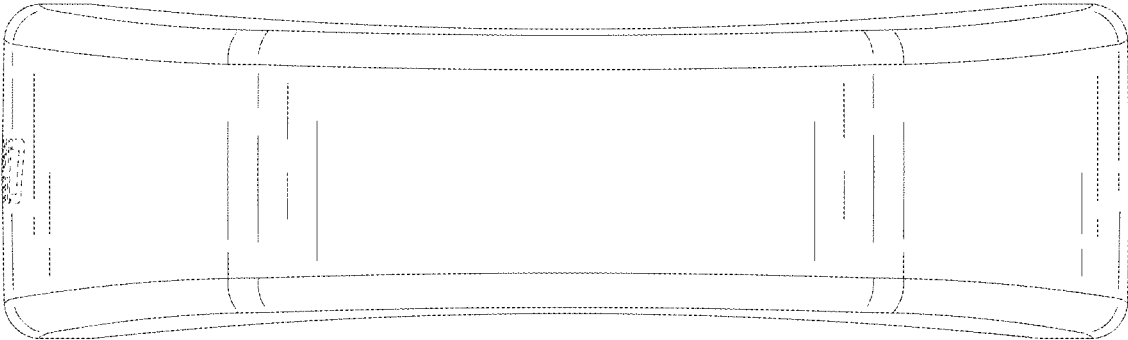


FIG. 7

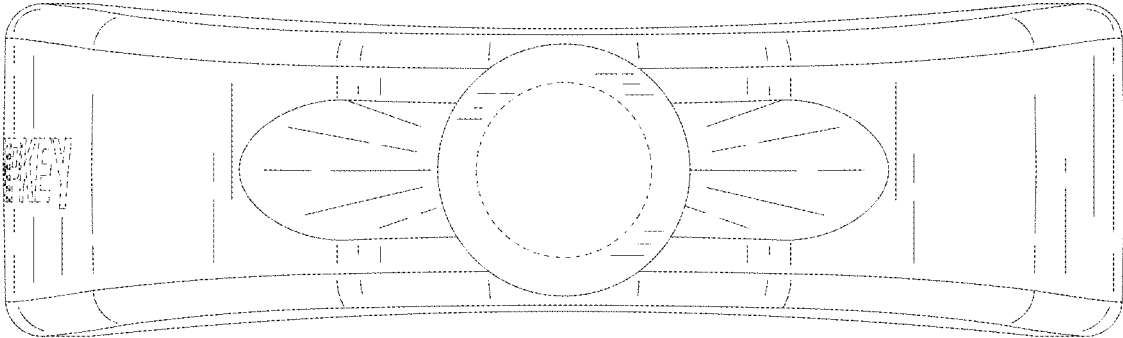


FIG. 8

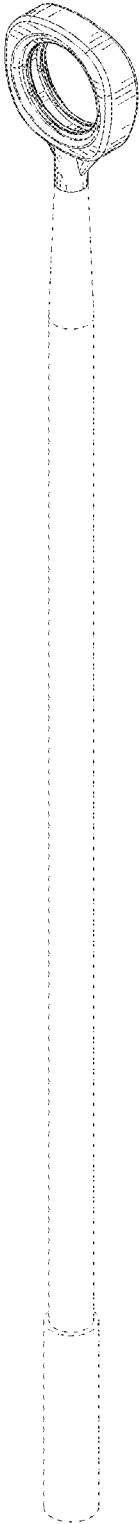


FIG. 9



FIG. 10