



- (51) International Patent Classification:  
*E04H 17/14* (2006.01)    *E04H 17/20* (2006.01)
- (21) International Application Number:  
PCT/GB2013/053316
- (22) International Filing Date:  
17 December 2013 (17.12.2013)
- (25) Filing Language: English
- (26) Publication Language: English
- (30) Priority Data:  
1222783.1    18 December 2012 (18.12.2012)    GB  
1312456.5    11 July 2013 (11.07.2013)    GB
- (72) Inventor; and
- (71) Applicant : DEMAREST, Vincent, Michael [GB/GB];  
11 Preston Crowmarsh, Wallingford, Oxfordshire OX10  
6SL (GB).
- (74) Agents: HALSTEAD, Richard et al.; Wynne-Jones, Laine  
& James LLP, Essex Place, 22 Rodney Road, Cheltenham,  
Gloucestershire GL50 1JJ (GB).
- (81) Designated States (unless otherwise indicated, for every  
kind of national protection available): AE, AG, AL, AM,  
AO, AT, AU, AZ, BA, BB, BG, BH, BN, BR, BW, BY,  
BZ, CA, CH, CL, CN, CO, CR, CU, CZ, DE, DK, DM,  
DO, DZ, EC, EE, EG, ES, FI, GB, GD, GE, GH, GM, GT,

HN, HR, HU, ID, IL, IN, IR, IS, JP, KE, KG, KN, KP, KR,  
KZ, LA, LC, LK, LR, LS, LT, LU, LY, MA, MD, ME,  
MG, MK, MN, MW, MX, MY, MZ, NA, NG, NI, NO, NZ,  
OM, PA, PE, PG, PH, PL, PT, QA, RO, RS, RU, RW, SA,  
SC, SD, SE, SG, SK, SL, SM, ST, SV, SY, TH, TJ, TM,  
TN, TR, TT, TZ, UA, UG, US, UZ, VC, VN, ZA, ZM,  
ZW.

(84) Designated States (unless otherwise indicated, for every  
kind of regional protection available): ARIPO (BW, GH,  
GM, KE, LR, LS, MW, MZ, NA, RW, SD, SL, SZ, TZ,  
UG, ZM, ZW), Eurasian (AM, AZ, BY, KG, KZ, RU, TJ,  
TM), European (AL, AT, BE, BG, CH, CY, CZ, DE, DK,  
EE, ES, FI, FR, GB, GR, HR, HU, IE, IS, IT, LT, LU, LV,  
MC, MK, MT, NL, NO, PL, PT, RO, RS, SE, SI, SK, SM,  
TR), OAPI (BF, BJ, CF, CG, CI, CM, GA, GN, GQ, GW,  
KM, ML, MR, NE, SN, TD, TG).

**Published:**

- with international search report (Art. 21(3))
- before the expiration of the time limit for amending the  
claims and to be republished in the event of receipt of  
amendments (Rule 48.2(h))

(88) Date of publication of the international search report:  
16 October 2014

(54) Title: IMPROVEMENTS IN AND RELATING TO FENCE POSTS

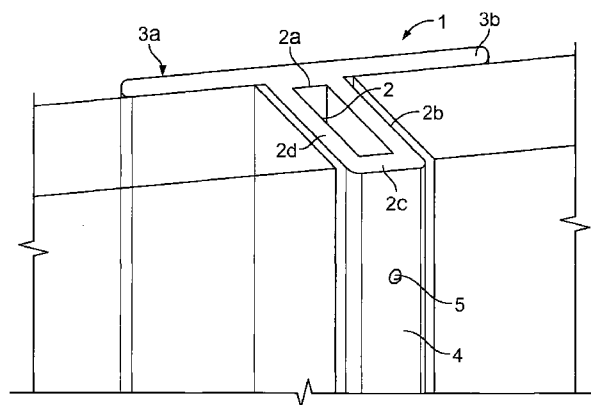


FIG. 1

(57) Abstract: An extruded fence post (1) is disclosed, for supporting a fence panel between a pair of such posts. The fence post (1) comprises a part tubular fence support (2) from which extends a pair of panel support plates (3a, 3b) for supporting respective edges of separate fence panels when in situ. The fence post also has a face portion (4) positioned remote from but generally parallel with the plane of the pair of panel support plates (3a, 3b). In use, the face portion (4) receives a fence panel retaining plate (6) securable thereto for capturing the panel between the support plate and the retaining plate. A plurality of posts (1) can be used to support a plurality of panels to form a fence. This extruded fence post (1) is advantageous in that there is no need to lift fence panels above pairs of pre-positioned fence posts when constructing the fence and when performing maintenance of the fence. The fence post further includes an extendable strut (15) that can be used to fix trellis or supply support of the post when installing a fence on sloped terrain.



INTERNATIONAL SEARCH REPORT

International application No  
PCT/GB2013/053316

A. CLASSIFICATION OF SUBJECT MATTER  
INV. E04H17/14 E04H17/20  
ADD.  
According to International Patent Classification (IPC) or to both national classification and IPC

B. FIELDS SEARCHED  
Minimum documentation searched (classification system followed by classification symbols)  
E04H

Documentation searched other than minimum documentation to the extent that such documents are included in the fields searched

Electronic data base consulted during the international search (name of data base and, where practicable, search terms used)  
EPO-Internal, WPI Data

C. DOCUMENTS CONSIDERED TO BE RELEVANT

Category*	Citation of document, with indication, where appropriate, of the relevant passages	Relevant to claim No.
Y	GB 2 402 140 A (RYAN JAMES [GB]) 1 December 2004 (2004-12-01)	1-14, 16-27, 29-32
A	figures 1,2 page 2, lines 13-21 page 3, line 22 - page 4, line 8 -----	15,28
X	GB 2 466 927 A (WILLIAMS NEIL [GB]) 14 July 2010 (2010-07-14)	1-8,21, 22,30-32
Y	figures 1,4 page 2, line 17 - page 3, line 24 page 4, line 7 - page 5, line 2	1-14, 16-27, 29-32
A	page 5, lines 10-12 -----	15,28
	-/--	

Further documents are listed in the continuation of Box C.

See patent family annex.

\* Special categories of cited documents :

- "A" document defining the general state of the art which is not considered to be of particular relevance
- "E" earlier application or patent but published on or after the international filing date
- "L" document which may throw doubts on priority claim(s) or which is cited to establish the publication date of another citation or other special reason (as specified)
- "O" document referring to an oral disclosure, use, exhibition or other means
- "P" document published prior to the international filing date but later than the priority date claimed

- "T" later document published after the international filing date or priority date and not in conflict with the application but cited to understand the principle or theory underlying the invention
- "X" document of particular relevance; the claimed invention cannot be considered novel or cannot be considered to involve an inventive step when the document is taken alone
- "Y" document of particular relevance; the claimed invention cannot be considered to involve an inventive step when the document is combined with one or more other such documents, such combination being obvious to a person skilled in the art
- "&" document member of the same patent family

Date of the actual completion of the international search  6 August 2014	Date of mailing of the international search report  21/08/2014
Name and mailing address of the ISA/ European Patent Office, P.B. 5818 Patentlaan 2 NL - 2280 HV Rijswijk Tel. (+31-70) 340-2040, Fax: (+31-70) 340-3016	Authorized officer  Schnedler, Marlon

## INTERNATIONAL SEARCH REPORT

 International application No  
 PCT/GB2013/053316

C(Continuation). DOCUMENTS CONSIDERED TO BE RELEVANT		
Category*	Citation of document, with indication, where appropriate, of the relevant passages	Relevant to claim No.
Y	US 6 612 551 B1 (ROY CHRISTOPHER H W [US]) 2 September 2003 (2003-09-02)	10-14, 16-20, 23-27,29
A	figures 5-9,20 column 10, line 58 - column 11, line 8 -----	15,28
Y	US 2005/279896 A1 (CALLIES GERALD E [US]) 22 December 2005 (2005-12-22) the whole document -----	17-20
Y	GB 2 466 778 A (ZAUN LTD [GB]) 7 July 2010 (2010-07-07)	1-14, 16-27, 29-32
A	figures 2,5 page 13, lines 7-19 -----	15,28

# INTERNATIONAL SEARCH REPORT

Information on patent family members

International application No

PCT/GB2013/053316

Patent document cited in search report	Publication date	Patent family member(s)	Publication date
GB 2402140	A	01-12-2004	NONE
GB 2466927	A	14-07-2010	NONE
US 6612551	B1	02-09-2003	NONE
US 2005279896	A1	22-12-2005	NONE
GB 2466778	A	07-07-2010	NONE