



(22) Date de dépôt/Filing Date: 2004/06/03
(41) Mise à la disp. pub./Open to Public Insp.: 2005/01/13
(62) Demande originale/Original Application: 2 524 495
(30) Priorités/Priorities: 2003/06/03 (US60/475,324);
2003/07/11 (US10/618,553); 2004/04/13 (US10/823,448)

(51) Cl.Int./Int.Cl. *C12N 15/113* (2010.01),
A61K 31/713 (2006.01), *A61K 47/48* (2006.01),
A61P 35/00 (2006.01), *C07H 21/00* (2006.01)

(71) Demandeurs/Applicants:
ELI LILLY AND COMPANY, US;
ISIS PHARMACEUTICALS, INC., US

(72) Inventeurs/Inventors:
BHAT, BALKRISHEN, US;
PATET, BHARVIN KUMAR, US;
SWAYZE, ERIC, US

(74) Agent: GOWLING LAFLEUR HENDERSON LLP

(54) Titre : MODULATION DE L'EXPRESSION DE SURVIVINE
(54) Title: MODULATION OF SURVIVIN EXPRESSION

(57) **Abrégé/Abstract:**

Compounds and compositions are provided for modulating the expression of survivin. The compounds, exemplified by those acting through an RNAi antisense mechanism of action, include double-stranded and single-stranded constructs, as well as siRNAs, canonical siRNAs, blunt-ended siRNAs and single-stranded antisense RNA compounds. Methods of using these compounds for modulation of survivin expression and for treatment of diseases associated with expression of survivin are provided.



ABSTRACT

Compounds and compositions are provided for modulating the expression of survivin. The compounds, exemplified by those acting through an RNAi antisense mechanism of action, include double-stranded and single-stranded constructs, as well as siRNAs, canonical siRNAs, blunt-ended siRNAs and single-stranded antisense RNA compounds. Methods of using these compounds for modulation of survivin expression and for treatment of diseases associated with expression of survivin are provided.

DEMANDES OU BREVETS VOLUMINEUX

**LA PRÉSENTE PARTIE DE CETTE DEMANDE OU CE BREVETS
COMPREND PLUS D'UN TOME.**

CECI EST LE TOME 1 DE 2

NOTE: Pour les tomes additionels, veuillez contacter le Bureau Canadien des Brevets.

JUMBO APPLICATIONS / PATENTS

**THIS SECTION OF THE APPLICATION / PATENT CONTAINS MORE
THAN ONE VOLUME.**

THIS IS VOLUME 1 OF 2

NOTE: For additional volumes please contact the Canadian Patent Office.

MODULATION OF SURVIVIN EXPRESSION

FIELD OF THE INVENTION

The present invention provides compositions and methods for modulating the
5 expression of survivin. In particular, this invention relates to antisense compounds, particularly
double-stranded oligonucleotides, specifically hybridizable with nucleic acids encoding human
survivin. Such oligonucleotides have been shown to modulate the expression of survivin.

BACKGROUND OF THE INVENTION

10 A hallmark feature of cancerous cells is uncontrolled proliferation. Among the
differences that have been discovered between tumor and normal cells is resistance to the
process of programmed cell death, also known as apoptosis (Ambrosini et al., *Nat. Med.*, 1997,
3, 917-921). Apoptosis is a process multicellular organisms have evolved to prevent
uncontrolled cell proliferation as well as to eliminate cells that have become sick, deleterious, or
15 are no longer necessary. The process of apoptosis involves a multistep cascade in which cells
are degraded from within through the concerted action of proteolytic enzymes and DNA
endonucleases, resulting in the formation of apoptotic bodies that are then removed by scavenger
cells. Research to date has shown that much of the intracellular degradation is carried out
through the action of the caspases, a family of proteolytic enzymes that cleave adjacent to
20 aspartate residues (Cohen, *Biochemistry Journal*, 1997, 326, 1-16).

The finding that most tumor cells display resistance to the apoptotic process has led to
the view that therapeutic strategies aimed at attenuating the resistance of tumor cells to apoptosis
could represent a novel means to halt the spread of neoplastic cells (Ambrosini et al., *Nat. Med.*,
1997, 3, 917-921). One of the mechanisms through which tumor cells are believed to acquire
25 resistance to apoptosis is by overexpression of survivin, a recently described member of the IAP
(inhibitor of apoptosis) caspase inhibitor family. To date, overexpression of survivin has been
detected in tumors of the lung, colon, pancreas, prostate, breast, stomach, non-Hodgkin's
lymphoma, and neuroblastoma (Adida et al., *Lancet*, 1998, 351, 882-883; Ambrosini et al., *Nat.*
Med., 1997, 3, 917-921; Lu et al., *Cancer Res.*, 1998, 58, 1808-1812). A more detailed analysis
30 has been performed in neuroblastoma where it was found that survivin overexpression
segregated with tumor histologies known to associate with poor prognosis (Adida et al., *Lancet*,
1998, 351, 882-883). Finally, Ambrosini et al. describe transfection of HeLa cells with an
expression vector containing a 708 nt fragment of the human cDNA encoding effector cell

protease receptor 1 (EPR-1), the coding sequence of which is complementary to the coding strand of survivin (Ambrosini et al., *J. Bio. Chem.*, 1998, 273, 11177-11182). This construct caused a reduction in cell viability.

Survivin has recently been found to play a role in cell cycle regulation. It has been found to be expressed in the G2/M phase of the cell cycle in a cycle-regulated manner, and associates with microtubules of the mitotic spindle. Disruption of this interaction results in loss of survivin's anti-apoptotic function and increased caspase-3 activity during mitosis. Caspase-3 is associated with apoptotic cell death. It is therefore believed that survivin may counteract a default induction of apoptosis in G2/M phase. It is believed that the overexpression of survivin in cancer may overcome this apoptotic checkpoint, allowing undesired survival and division of cancerous cells. The survivin antisense construct described by Ambrosini above was found to downregulate endogenous survivin in HeLa cells and to increase caspase-3-dependent apoptosis in cells in G2/M phase. Li et al., *Nature*, 1998, 396, 580-584.

In many species, introduction of double-stranded RNA (dsRNA) induces potent and specific gene silencing. This phenomenon occurs in both plants and animals and has roles in viral defense and transposon silencing mechanisms. (Jorgensen et al., *Plant Mol. Biol.*, 1996, 31, 957-973; Napoli et al., *Plant Cell*, 1990, 2, 279-289).

The first evidence that dsRNA could lead to gene silencing in animals came from work in the nematode, *Caenorhabditis elegans*, where it has been shown that feeding, soaking or injecting dsRNA (a mixture of both sense and antisense strands) results in much more efficient silencing than injection of either the sense or the antisense strands alone (Guo and Kemphues, *Cell*, 1995, 81, 611-620; Fire et al., *Nature* 391:806-811 (1998); Montgomery et al., *Proc. Natl. Acad. Sci. USA* 95:15502-15507 (1998); PCT International Publication W099/32619; (Fire et al., *Nature*, 1998, 391, 806-810; Timmons et al., *Gene*, 2001, 263, 103-112; Timmons and Fire, *Nature*, 1998, 395, 854). Since, the phenomenon has been demonstrated in a number of organisms, including *Drosophila melanogaster* (Kennerdell et al., *Cell* 95:1017-1026 (1998)); and embryonic mice (Wianny et al., *Nat. Cell Biol.* 2:70-75 (2000)).

This posttranscriptional gene silencing phenomenon has been termed "RNA interference" (RNAi) and has come to generally refer to the process of gene silencing involving dsRNA which leads to the sequence-specific reduction of gene expression via target mRNA degradation (Tuschl et al., *Genes Dev.*, 1999, 13, 3191-3197).

- 3 -

It has been demonstrated that 21- and 22-nt dsRNA fragments having 3' overhangs are the canonical sequence-specific mediators of RNAi. These fragments, which are termed short interfering RNAs (siRNAs), are generated by an RNase III-like processing reaction from longer dsRNA. Chemically synthesized siRNA also mediate efficient target RNA cleavage with the site
5 of cleavage located near the center of the region spanned by the guiding strand of the siRNA. (Elbashir et al., Nature, 2001, 411, 494-498). Characterization of the suppression of expression of endogenous and heterologous genes caused by the 21-23 nucleotide siRNAs has been investigated in several mammalian cell lines, including human embryonic kidney (293) and HeLa cells (Elbashir et al., Genes and Development, 2001, 15, 188-200).

10 Recently, it has been shown that single-stranded RNA oligomers (ssRNAi or asRNA) of antisense polarity can be potent inducers of gene silencing and that single-stranded oligomers are ultimately responsible for the RNAi phenomenon (Tijsterman et al., Science, 2002, 295, 694-697).

U.S. patents 5,898,031 and 6,107,094,
15 describe certain oligonucleotides having RNA-like properties. When hybridized with RNA, these oligonucleotides serve as substrates for a dsRNase enzyme with resultant cleavage of the RNA by the enzyme (Crooke, 2000; Crooke, 1999).

As a result of these advances in the understanding of apoptosis and the role that survivin expression is believed to play in conferring a growth advantage to a wide variety of tumor cell
20 types, there is a great desire to provide compositions of matter which can modulate the expression of survivin. It is greatly desired to provide methods of diagnosis and detection of nucleic acids encoding survivin in animals. It is also desired to provide methods of diagnosis and treatment of conditions arising from survivin expression. In addition, improved research kits and reagents for detection and study of nucleic acids encoding survivin are desired. Thus, the
25 present invention provides a class of novel inhibitors of survivin, compositions comprising these compounds, and methods of using the compounds.

SUMMARY OF THE INVENTION

The present invention is directed to oligomeric compounds, particularly single and
30 double-stranded antisense compounds, which are targeted to a nucleic acid encoding survivin, and which modulate the expression of survivin. In some embodiments the antisense compounds are oligonucleotides. In some embodiments, the oligonucleotides are RNAi oligonucleotides (which are predominantly RNA or RNA-like). In other embodiments, the oligonucleotides are

RNase H oligonucleotides (which are predominantly DNA or DNA-like). In still other embodiments, the oligonucleotides may be chemically modified. Pharmaceutical and other compositions comprising the antisense compounds of the invention are also provided. Further provided are methods of modulating the expression of survivin in cells or tissues comprising
5 contacting said cells or tissues with one or more of the antisense compounds or compositions of the invention. Further provided are methods of treating an animal, particularly a human, suspected of having or being prone to a disease or condition associated with expression of survivin by administering a therapeutically or prophylactically effective amount of one or more of the oligonucleotides or compositions of the invention. In another embodiment, the present
10 invention provides for the use of a compound of the invention in the manufacture of a medicament for the treatment of any and all conditions disclosed herein.

The disease or condition can be a hyperproliferative condition. In one embodiment, the hyperproliferative condition is cancer.

The oligomeric compounds of the present invention are inhibitors of survivin
15 expression or overexpression. Because these compounds inhibit the effects of survivin expression or overexpression, the compounds are useful in the treatment of disorders related to survivin activity. Thus, the compounds of the present invention are antineoplastic agents.

The present compounds are believed to be useful in treating carcinomas such as neoplasms of the central nervous system: glioblastoma multiforme, astrocytoma,
20 oligodendroglial tumors, ependymal and choroid plexus tumors, pineal tumors, neuronal tumors, medulloblastoma, schwannoma, meningioma, meningeal sarcoma; neoplasms of the eye: basal cell carcinoma, squamous cell carcinoma, melanoma, rhabdomyosarcoma, retinoblastoma; neoplasms of the endocrine glands: pituitary neoplasms, neoplasms of the thyroid, neoplasms of the adrenal cortex, neoplasms of the neuroendocrine system, neoplasms of the
25 gastroenteropancreatic endocrine system, neoplasms of the gonads; neoplasms of the head and neck: head and neck cancer, oral cavity, pharynx, larynx, odontogenic tumors; neoplasms of the thorax: large cell lung carcinoma, small cell lung carcinoma, non-small cell lung carcinoma, neoplasms of the thorax, malignant mesothelioma, thymomas, primary germ cell tumors of the thorax; neoplasms of the alimentary canal: neoplasms of the esophagus, neoplasms of the
30 stomach, neoplasms of the liver, neoplasms of the gallbladder, neoplasms of the exocrine pancreas, neoplasms of the small intestine, vermiform appendix and peritoneum, adenocarcinoma of the colon and rectum, neoplasms of the anus; neoplasms of the genitourinary tract: renal cell carcinoma, neoplasms of the renal pelvis and ureter, neoplasms of the bladder, neoplasms of the

urethra, neoplasms of the prostate, neoplasms of the penis, neoplasms of the testis; neoplasms of the female reproductive organs: neoplasms of the vulva and vagina, neoplasms of the cervix, adenocarcinoma of the uterine corpus, ovarian cancer, gynecologic sarcomas; neoplasms of the breast; neoplasms of the skin: basal cell carcinoma, squamous cell carcinoma, dermatofibrosarcoma, Merkel cell tumor; malignant melanoma; neoplasms of the bone and soft tissue: osteogenic sarcoma, malignant fibrous histiocytoma, chondrosarcoma, Ewing's sarcoma, primitive neuroectodermal tumor, angiosarcoma; neoplasms of the hematopoietic system: myelodysplastic syndromes, acute myeloid leukemia, chronic myeloid leukemia, acute lymphocytic leukemia, HTLV-1 and T-cell leukemia/lymphoma, chronic lymphocytic leukemia, hairy cell leukemia, Hodgkin's disease, non-Hodgkin's lymphomas, mast cell leukemia; and neoplasms of children: acute lymphoblastic leukemia, acute myelocytic leukemias, neuroblastoma, bone tumors, rhabdomyosarcoma, lymphomas, renal tumors.

Thus, in one embodiment, the present invention provides a method for the treatment of susceptible neoplasms comprising: administering to an animal, particularly a human, an effective amount of a single-stranded (ssRNA or ssRNAi or asRNA) or double-stranded (dsRNA or siRNA) oligonucleotide directed to survivin. The ssRNA or dsRNA oligonucleotide may be modified or unmodified. That is, the present invention provides for the use of a double-stranded RNA oligonucleotide targeted to survivin, or a pharmaceutical composition thereof, for the treatment of susceptible neoplasms.

In another aspect, the present invention provides for the use of a compound of an isolated double-stranded RNA oligonucleotide in the manufacture of a medicament for inhibiting survivin expression or overexpression. Thus, the present invention provides for the use of an isolated double-stranded RNA oligonucleotide targeted to survivin in the manufacture of a medicament for the treatment of susceptible neoplasms by means of the method described above.

The compounds of the present invention are especially useful for the treatment of pancreatic cancer, prostate cancer, colon cancer, breast cancer, lung cancer, bladder cancer, liver cancer, ovarian cancer, renal cancer, glioblastoma, and non-Hodgkins lymphoma.

Another embodiment of the present invention is a method of treating an animal, particularly a human, having a disease or condition characterized by a reduction in apoptosis comprising administering to the patient a therapeutically effective amount of antisense compound 8 to 80 nucleobases in length targeted to a nucleic acid molecule encoding human survivin so that expression of survivin is inhibited.

The present invention also provides a method of modulating apoptosis in a cell comprising contacting a cell with an antisense compound 8 to 80 nucleobases in length targeted to a nucleic acid molecule encoding human survivin so that apoptosis is modulated.

5 Still another embodiment of the invention is a method of modulating cytokinesis in a cell comprising contacting a cell with an antisense compound 8 to 80 nucleobases in length targeted to a nucleic acid molecule encoding human survivin so that cytokinesis is modulated.

The present invention also provides a method of modulating the cell cycle in a cell comprising contacting a cell with an antisense compound 8 to 80 nucleobases in length targeted to a nucleic acid molecule encoding human survivin so that the cell cycle is modulated.

10 In still another embodiment of the invention, there is provided a method of inhibiting the proliferation of cells comprising contacting cells with an effective amount of an antisense compound 8 to 80 nucleobases in length targeted to a nucleic acid molecule encoding human survivin, so that proliferation of the cells is inhibited. In one embodiment, the cells are cancer cells. The method may further comprise administering to the patient a chemotherapeutic agent.

15 In yet another embodiment, there is provided a method of modulating apoptosis of hyperproliferative cells comprising contacting the cells with an effective amount of an antisense compound 8 to 80 nucleobases in length targeted to a nucleic acid molecule encoding human survivin, so that apoptosis of cells is modulated. In one embodiment, the cells are hyperproliferative cells and apoptosis is enhanced by the antisense compound. In another
20 embodiment, the modulation of apoptosis is sensitization to an apoptotic stimulus. In one embodiment, the apoptotic stimulus is a cytotoxic chemotherapeutic agent. The method may further comprise contacting the cells with a chemotherapeutic agent.

DETAILED DESCRIPTION OF THE INVENTION

25 The present invention employs double and single-stranded oligomeric antisense compounds, particularly single or double-stranded oligonucleotides which are RNA or RNA-like and single-stranded oligonucleotides which are DNA or DNA-like for use in modulating the function of nucleic acid molecules encoding survivin, ultimately modulating the amount of survivin produced. This is accomplished by providing antisense compounds which specifically
30 hybridize with one or more nucleic acids encoding survivin. As used herein, the terms "target nucleic acid" and "nucleic acid encoding survivin" encompass DNA encoding survivin, RNA (including pre-mRNA and mRNA or portions thereof) transcribed from such DNA, and also cDNA derived from such RNA. The specific hybridization of an oligomeric compound with its

complementary sense-orientation target nucleic acid interferes with the normal function of the nucleic acid. This modulation of function of a target nucleic acid by compounds which specifically hybridize to it is generally referred to as "antisense," and such compounds can be described as being in the "antisense orientation" relative to the target.

5 The functions of DNA to be interfered with include replication and transcription. The functions of RNA to be interfered with include, for example, translocation of the RNA to the site of protein translation, translation of protein from the RNA, splicing of the RNA to yield one or more mRNA species, and catalytic activity which may be engaged in or facilitated by the RNA. The overall effect of such interference with target nucleic acid function is modulation of the
10 expression of survivin at the RNA and/or the protein level. In the context of the present invention, "modulation" means either an increase (stimulation) or a decrease (inhibition) in the expression. In the context of the present invention, inhibition is a desired form of modulation of gene expression and RNA, and in some embodiments mRNA, is a suitable target.

It is suitable to target specific nucleic acids for antisense. "Targeting" an antisense
15 compound to a particular nucleic acid, in the context of this invention, is a multistep process. The process usually begins with the identification of a nucleic acid sequence whose function is to be modulated. This may be, for example, a cellular gene (or mRNA transcribed from the gene) whose expression is associated with a particular disorder or disease state, or a nucleic acid molecule from an infectious agent. In the present invention, the target is a nucleic acid molecule
20 encoding survivin. The targeting process also includes determination of a site or sites within this gene for the antisense interaction to occur such that the desired effect, e.g., detection or modulation of expression of the mRNA and or protein, will result. Within the context of the present invention, one intragenic site is the region encompassing the translation initiation or termination codon of the open reading frame (ORF) of the gene. Since, as is known in the art,
25 the translation initiation codon is typically 5'-AUG (in transcribed mRNA molecules; 5'-ATG in the corresponding DNA molecule), the translation initiation codon is also referred to as the "AUG codon," the "start codon" or the "AUG start codon". A minority of genes have a translation initiation codon having the RNA sequence 5'-GUG, 5'-UUG and 5'-CUG, while the translation initiation codons 5'-AUA, 5'-ACG and 5'-CUG have been shown to function *in vivo*.
30 Thus, the terms "translation initiation codon" and "start codon" can encompass many codon sequences, even though the initiator amino acid in each instance is typically methionine (in eukaryotes) or formylmethionine (in prokaryotes). It is also known in the art that eukaryotic and prokaryotic genes may have two or more alternative start codons, any one of which may be

preferentially utilized for translation initiation in a particular cell type or tissue, or under a particular set of conditions. In the context of the invention, "start codon" and "translation initiation codon" refer to the codon or codons that are used *in vivo* to initiate translation of an mRNA molecule transcribed from a gene encoding survivin, regardless of the sequence(s) of such codons.

It is also known in the art that a translation termination codon (or "stop codon") of a gene may have one of three sequences, i.e., 5'-UAA, 5'-UAG or 5'-UGA (the corresponding DNA sequences are 5'-TAA, 5'-TAG and 5'-TGA, respectively). The terms "start codon region" and "translation initiation codon region" refer to a portion of such an mRNA or gene that encompasses from about 25 to about 50 contiguous nucleotides in either direction (i.e., 5' or 3') from a translation initiation codon. Similarly, the terms "stop codon region" and "translation termination codon region" refer to a portion of such an mRNA or gene that encompasses from about 25 to about 50 contiguous nucleotides in either direction (i.e., 5' or 3') from a translation termination codon.

The open reading frame (ORF) or "coding region," which is known in the art to refer to the region between the translation initiation codon and the translation termination codon, is also a region which may be targeted effectively. Other target regions include the 5' untranslated region (5'UTR), known in the art to refer to the portion of an mRNA in the 5' direction from the translation initiation codon, and thus including nucleotides between the 5' cap site and the translation initiation codon of an mRNA or corresponding nucleotides on the gene, and the 3' untranslated region (3'UTR), known in the art to refer to the portion of an mRNA in the 3' direction from the translation termination codon, and thus including nucleotides between the translation termination codon and 3' end of an mRNA or corresponding nucleotides on the gene. The 5' cap of an mRNA comprises an N7-methylated guanosine residue joined to the 5'-most residue of the mRNA via a 5'-5' triphosphate linkage. The 5' cap region of an mRNA is considered to include the 5' cap structure itself as well as the first 50 nucleotides adjacent to the cap. The 5' cap region may also be an effective target region.

Although some eukaryotic mRNA transcripts are directly translated, many contain one or more regions, known as "introns," which are excised from a transcript before it is translated. The remaining (and therefore translated) regions are known as "exons" and are spliced together to form a continuous mRNA sequence. mRNA splice sites, i.e., intron-exon junctions, may also be target regions, and are particularly useful in situations where aberrant splicing is implicated

in disease, or where an overproduction of a particular mRNA splice product is implicated in disease.

Once one or more target sites have been identified, antisense oligomeric compounds, typically an antisense oligonucleotide, are chosen which are sufficiently complementary to the target, i.e., hybridize sufficiently well and with sufficient specificity, to give the desired effect.

In the context of this invention, "hybridization" means hydrogen bonding, which may be Watson-Crick, Hoogsteen or reversed Hoogsteen hydrogen bonding, between complementary nucleoside or nucleotide bases. For example, adenine and thymine are complementary nucleobases which pair through the formation of hydrogen bonds. "Complementary," as used herein, refers to the capacity for precise pairing between two nucleotides. For example, if a nucleotide at a certain position of an oligonucleotide is capable of hydrogen bonding with a nucleotide at the same position of a DNA or RNA molecule, then the oligonucleotide and the DNA or RNA are considered to be complementary to each other at that position. The oligonucleotide and the DNA or RNA are complementary to each other when a sufficient number of corresponding positions in each molecule are occupied by nucleotides which can hydrogen bond with each other. Thus, "specifically hybridizable" and "complementary" are terms which are used to indicate a sufficient degree of complementarity or precise pairing such that stable and specific binding occurs between the oligonucleotide and the DNA or RNA target. It is understood in the art that the sequence of an antisense compound need not be 100% complementary to that of its target nucleic acid to be specifically hybridizable. An antisense compound is specifically hybridizable when binding of the compound to the target DNA or RNA molecule interferes with the normal function of the target DNA or RNA to cause a complete or partial loss of function, and there is a sufficient degree of complementarity to avoid non-specific binding of the antisense compound to non-target sequences under conditions in which specific binding is desired, i.e., under physiological conditions in the case of therapeutic treatment, or under conditions in which *in vitro* or *in vivo* assays are performed. Moreover, an oligonucleotide may hybridize over one or more segments such that intervening or adjacent segments are not involved in the hybridization event (e.g., a loop structure, mismatch or hairpin structure). The compounds of the present invention comprise at least 70%, at least 75%, at least 80%, at least 85%, at least 90%, at least 95%, at least 99%, or 100% sequence complementarity to a target region within the target nucleic acid sequence to which they are targeted. For example, an antisense compound in which 18 of 20 nucleobases of the antisense compound are complementary to a target region, and would therefore specifically hybridize, would represent 90

percent complementarity. In this example, the remaining noncomplementary nucleobases may be clustered or interspersed with complementary nucleobases and need not be contiguous to each other or to complementary nucleobases. As such, an antisense compound which is 18 nucleobases in length having 4 (four) noncomplementary nucleobases which are flanked by two regions of complete complementarity with the target nucleic acid would have 77.8% overall complementarity with the target nucleic acid and would thus fall within the scope of the present invention.

Percent complementarity of an antisense compound with a region of a target nucleic acid can be determined routinely using BLAST programs (basic local alignment search tools) and PowerBLAST programs known in the art (Altschul et al., *J. Mol. Biol.*, 1990, 215, 403-410; Zhang and Madden, *Genome Res.*, 1997, 7, 649-656). Percent homology, sequence identity or complementarity, can be determined by, for example, the Gap program (Wisconsin Sequence Analysis Package, Version 8 for Unix, Genetics Computer Group, University Research Park, Madison WI), using default settings, which uses the algorithm of Smith and Waterman (*Adv. Appl. Math.*, 1981, 2, 482-489). In some embodiments, homology, sequence identity or complementarity, between the antisense compound and target is between about 50% to about 60%. In some embodiments, homology, sequence identity or complementarity, is between about 60% to about 70%. In some embodiments, homology, sequence identity or complementarity, is between about 70% and about 80%. In some embodiments, homology, sequence identity or complementarity, is between about 80% and about 90%. In some embodiments, homology, sequence identity or complementarity, is about 90%, about 92%, about 94%, about 95%, about 96%, about 97%, about 98%, about 99% or about 100%.

Antisense compounds are commonly used as research reagents and diagnostics. For example, antisense oligonucleotides, which are able to inhibit gene expression with exquisite specificity, are often used by those of ordinary skill to elucidate the function of particular genes. Antisense compounds are also used, for example, to distinguish between functions of various members of a biological pathway. Antisense modulation has, therefore, been harnessed for research use.

Multiple mechanisms exist by which short synthetic oligonucleotides can be used to modulate gene expression in mammalian cells. A commonly exploited antisense mechanism is RNase H-dependent degradation of the targeted RNA. RNase H is a ubiquitously expressed endonuclease that recognizes antisense DNA-RNA heteroduplex, hydrolyzing the RNA strand. A further antisense mechanism involves the utilization of enzymes that catalyze the cleavage of

RNA-RNA duplexes. These reactions are catalyzed by a class of RNase enzymes including but not limited to RNase III and RNase L. The antisense mechanism known RNA interference (RNAi) is operative on RNA-RNA hybrids and the like.

Both RNase H-based antisense (usually using single-stranded compounds) and RNA interference
5 (usually using double-stranded compounds known as siRNAs) are antisense mechanisms, typically resulting in loss of target RNA function.

Optimized siRNA and RNase H-dependent oligomeric compounds behave similarly in terms of potency, maximal effects, specificity and duration of action, and efficiency. Moreover it has been shown that in general, activity of dsRNA constructs correlated with the activity of
10 RNase H-dependent single-stranded antisense compounds targeted to the same site. One major exception is that RNase H-dependent antisense compounds were generally active against target sites in pre-mRNA whereas siRNAs were not.

These data suggest that, in general, sites on the target RNA that were not active with RNase H-dependent oligonucleotides were similarly not good sites for siRNA. Conversely, a
15 significant degree of correlation between active RNase H oligonucleotides and siRNA was found, suggesting that if a site is available for hybridization to an RNase H oligonucleotide, then it is also available for hybridization and cleavage by the siRNA complex. Consequently, once suitable target sites have been determined by either antisense approach, these sites can be used to design constructs that operate by the alternative antisense mechanism (Vickers et al., 2003, *J.*
20 *Biol. Chem.* 278,7108). Moreover, once a site has been demonstrated as active for either an RNAi or an RNase H oligonucleotide, a single-stranded RNAi oligonucleotide (ssRNAi or asRNA) can be designed.

In some embodiments of the present invention, double-stranded antisense oligonucleotides are suitable. These double-stranded antisense oligonucleotides may be RNA or
25 RNA-like, and may be modified or unmodified, in that the oligonucleotide, if modified, retains the properties of forming an RNA:RNA hybrid and recruitment and (activation) of a dsRNase. In other embodiments, the single-stranded oligonucleotides(ssRNAi or asRNA) may be RNA-like.

In other embodiments of the present invention, single-stranded antisense oligonucleotides are suitable. In some embodiments, the single-stranded oligonucleotides may be "DNA-like", in
30 that the oligonucleotide has well characterized structural features, for example a plurality of unmodified 2' Hs or a stabilized backbone such as e.g., phosphorothioate, that is structurally suited for interaction with a target oligonucleotide and recruitment and (activation) of RNase H.

While oligonucleotides are one form of antisense compound, the present invention comprehends other oligomeric antisense compounds, including but not limited to oligonucleotide mimetics such as are described below. The compounds in accordance with this invention can comprise from about 8 to about 80 nucleobases. In another embodiment, the oligonucleotide is about 10 to 50 nucleotides in length. In yet another embodiment, the oligonucleotide is 12 to 30 nucleotides in length. In yet another embodiment, the oligonucleotide is 12 to 24 nucleotides in length. In yet another embodiment, the oligonucleotide is 19 to 23 nucleotides in length. Some embodiments comprise at least an 8-nucleobase portion of a sequence of an oligomeric compound which inhibits expression of survivin. dsRNA or siRNA molecules directed to survivin, and their use in inhibiting survivin mRNA expression, are also embodiments within the scope of the present invention.

The oligonucleotides of the present invention also include variants in which a different base is present at one or more of the nucleotide positions in the oligonucleotide. For example, if the first nucleotide is an adenosine, variants may be produced which contain thymidine (or uridine if RNA), guanosine or cytidine at this position. This may be done at any of the positions of the oligonucleotide. Thus, a 20-mer may comprise 60 variations (20 positions x 3 alternates at each position) in which the original nucleotide is substituted with any of the three alternate nucleotides. These oligonucleotides are then tested using the methods described herein to determine their ability to inhibit expression of survivin mRNA.

20 **Oligomeric Compounds**

In the context of the present invention, the term "oligomeric compound" refers to a polymeric structure capable of hybridizing to a region of a nucleic acid molecule. This term includes oligonucleotides, oligonucleosides, oligonucleotide analogs, oligonucleotide mimetics and chimeric combinations of these. Oligomeric compounds are routinely prepared linearly but can be joined or otherwise prepared to be circular and may also include branching. Oligomeric compounds can include double-stranded constructs such as, for example, two strands hybridized to form double-stranded compounds or a single strand with sufficient self complementarity to allow for hybridization and formation of a fully or partially double-stranded compound. In one embodiment of the invention, double-stranded antisense compounds encompass short interfering RNAs (siRNAs). As used herein, the term "siRNA" is defined as a double-stranded compound having a first and second strand and comprises a central complementary portion between said first and second strands and terminal portions that are optionally complementary between said first and second strands or with the target mRNA. Each strand may be from about 8 to about 80

nucleobases in length, 10 to 50 nucleobases in length, 12 to 30 nucleobases in length, 12 to 24 nucleobases in length or 19 to 23 nucleobases in length. The central complementary portion may be from about 8 to about 80 nucleobases in length, 10 to 50 nucleobases in length, 12 to 30 nucleobases in length, 12 to 24 nucleobases in length or 19 to 23 nucleobases in length. The terminal portions can be from 1 to 6 nucleobases in length. The siRNAs may also have no terminal portions. The two strands of an siRNA can be linked internally leaving free 3' or 5' termini or can be linked to form a continuous hairpin structure or loop. The hairpin structure may contain an overhang on either the 5' or 3' terminus producing an extension of single-stranded character.

10 In one embodiment of the invention, double-stranded antisense compounds are canonical siRNAs. As used herein, the term "canonical siRNA" is defined as a double-stranded oligomeric compound having a first strand and a second strand each strand being 21 nucleobases in length with the strands being complementary over 19 nucleobases and having on each 3' termini of each strand a deoxy thymidine dimer (dTdT) which in the double-stranded compound acts as a 3' overhang.

15 In another embodiment, the double-stranded antisense compounds are blunt-ended siRNAs. As used herein the term "blunt-ended siRNA" is defined as an siRNA having no terminal overhangs. That is, at least one end of the double-stranded compound is blunt. siRNAs whether canonical or blunt act to elicit dsRNAse enzymes and trigger the recruitment or activation of the RNAi antisense mechanism. In a further embodiment, single-stranded RNAi (ssRNAi) compounds that act via the RNAi antisense mechanism are contemplated.

20 Further modifications can be made to the double-stranded compounds and may include conjugate groups attached to one of the termini, selected nucleobase positions, sugar positions or to one of the internucleoside linkages. Alternatively, the two strands can be linked via a non-nucleic acid moiety or linker group. When formed from only one strand, dsRNA can take the form of a self-complementary hairpin-type molecule that doubles back on itself to form a duplex. Thus, the dsRNAs can be fully or partially double-stranded. When formed from two strands, or a single strand that takes the form of a self-complementary hairpin-type molecule doubled back on itself to form a duplex, the two strands (or duplex-forming regions of a single strand) are complementary RNA strands that base pair in Watson-Crick fashion.

30 In general an oligomeric compound comprises a backbone of momeric subunits joined linking groups where each linked momeric subunit is directly or indirectly attached to a heterocyclic base moiety. Oligomeric compounds may also include monomeric subunits that are

not linked to a heterocyclic base moiety thereby providing abasic sites. Any one of the repeated units making up an oligomeric compound can be modified giving rise to a variety of motifs including hemimers, gapmers and chimeras.

As is known in the art, a nucleoside comprises a sugar moiety attached to a heterocyclic base moiety. The two most common classes of such heterocyclic bases are purines and pyrimidines. Nucleotides are nucleosides that further include a phosphate group covalently linked to the sugar portion of the nucleoside. For those nucleosides that include a pentofuranosyl sugar, the phosphate group can be linked to either the 2', 3' or 5' hydroxyl moiety of the sugar giving the more common 3', 5'-internucleoside linkage or the not so common 2', 5'-internucleoside linkage. In forming oligonucleotides, the phosphate groups covalently link the sugar moieties of adjacent nucleosides. The respective ends can be joined to form a circular structure by hybridization or by formation of a covalent bond. In addition, linear compounds may have internal nucleobase complementarity and may therefore fold in a manner as to produce a fully or partially double-stranded compound. Within oligonucleotides, the phosphate groups are commonly referred to as forming the internucleoside linkage or in conjunction with the sugar ring form the backbone of the oligonucleotide. The normal internucleoside linkage that comprises the backbone of RNA and DNA is a 3' to 5' phosphodiester linkage. However, open linear structures are generally desired.

In the context of this invention, the term "oligonucleotide" refers to an oligomer or polymer of ribonucleic acid (RNA) or deoxyribonucleic acid (DNA) or mimetics thereof. This term includes oligonucleotides composed of naturally-occurring nucleobases, sugars and covalent internucleoside linkages, as well as oligonucleotide analogs or chemically modified oligonucleotides that have one or more non-naturally occurring portions which function in a similar manner. Such modified or substituted oligonucleotides are suitable over the naturally occurring forms because of desirable properties such as, for example, enhanced cellular uptake, enhanced affinity for a nucleic acid target and enhanced nuclease stability.

In the context of this invention, the term "oligonucleoside" refers to a sequence of nucleosides that are joined by internucleoside linkages that do not have phosphorus atoms. Internucleoside linkages of this type include short chain alkyl, cycloalkyl, mixed heteroatom alkyl, mixed heteroatom cycloalkyl, one or more short chain heteroatomic linkers and one or more short chain heterocyclic linkers. These internucleoside linkages include but are not limited to siloxane, sulfide, sulfoxide, sulfone, acetyl, formacetyl, thioformacetyl, methylene formacetyl,

- 15 -

thioformacetyl, alken, sulfamate; methyleneimino, methylenehydrazino, sulfonate, sulfonamide, amide and others having mixed N, O, S and CH₂ component parts.

Representative United States patents that teach the preparation of the above oligonucleosides include, but are not limited to, U.S.: 5,034,506; 5,166,315; 5,185,444; 5,214,134; 5,216,141; 5,235,033; 5,264,562; 5,264,564; 5,405,938; 5,434,257; 5,466,677; 5,470,967; 5,489,677; 5,541,307; 5,561,225; 5,596,086; 5,602,240; 5,610,289; 5,602,240; 5,608,046; 5,610,289; 5,618,704; 5,623,070; 5,663,312; 5,633,360; 5,677,437; 5,792,608; 5,646,269 and 5,677,439.

Further included in the present invention are antisense oligomeric compounds including antisense oligonucleotides, external guide sequence (EGS) oligonucleotides, alternate splicers, and other oligomeric compounds which hybridize to at least a portion of the target nucleic acid. As such, these antisense oligomeric compounds may be introduced in the form of single-stranded, double-stranded, circular or hairpin oligomeric compounds and may contain structural elements such as internal or terminal bulges, mismatches or loops. In general, nucleic acids (including oligonucleotides) may be described as "DNA-like" (i.e., having 2'-deoxy sugars and, generally, T rather than U bases) or "RNA-like" (i.e., having 2'-hydroxyl or 2'-modified sugars and, generally U rather than T bases). Once introduced to a system, the oligomeric compounds of the invention may elicit the action of one or more enzymes or structural proteins to effect modification of the target nucleic acid.

The oligomeric compounds in accordance with this invention can comprise from about 8 to about 80 nucleobases (i.e. from about 8 to about 80 linked nucleobases and/or monomeric subunits). One of ordinary skill in the art will appreciate that the invention embodies oligomeric compounds of 8, 9, 10, 11, 12, 13, 14, 15, 16, 17, 18, 19, 20, 21, 22, 23, 24, 25, 26, 27, 28, 29, 30, 31, 32, 33, 34, 35, 36, 37, 38, 39, 40, 41, 42, 43, 44, 45, 46, 47, 48, 49, 50, 51, 52, 53, 54, 55, 56, 57, 58, 59, 60, 61, 62, 63, 64, 65, 66, 67, 68, 69, 70, 71, 72, 73, 74, 75, 76, 77, 78, 79, or 80 nucleobases in length.

In one embodiment, the oligomeric compounds of the invention are 10 to 50 nucleobases in length. One having ordinary skill in the art will appreciate that this embodies oligomeric compounds of 12, 13, 14, 15, 16, 17, 18, 19, 20, 21, 22, 23, 24, 25, 26, 27, 28, 29, 30, 31, 32, 33, 34, 35, 36, 37, 38, 39, 40, 41, 42, 43, 44, 45, 46, 47, 48, 49, or 50 nucleobases in length.

In another embodiment, the oligomeric compounds of the invention are 12 to 30 nucleobases in length. One having ordinary skill in the art will appreciate that this embodies

oligomeric compounds of 12, 13, 14, 15, 16, 17, 18, 19, 20, 21, 22, 23, 24, 25, 26, 27, 28, 29, or 30 nucleobases in length.

In a further embodiment, the oligomeric compounds of the invention are 12 to 24 nucleobases in length. One having ordinary skill in the art will appreciate that this embodies
5 oligomeric compounds of 12, 13, 14, 15, 16, 17, 18, 19, 20, 21, 22, 23 or 24 nucleobases in length.

In another embodiment, the oligomeric compounds of the invention are 19 to 23 nucleobases in length. One having ordinary skill in the art will appreciate that this embodies oligomeric compounds of 19, 20, 21, 22 or 23 nucleobases in length.

10 One particularly length for oligomeric compounds is from about 12 to about 30 nucleobases. Another particularly length is from about 12 to about 24 nucleobases. A further particularly suitable length is from about 19 to about 23 nucleobases.

Chimeric oligomeric compounds

It is not necessary for all positions in a oligomeric compound to be uniformly modified,
15 and in fact more than one of the aforementioned modifications may be incorporated in a single oligomeric compound or even at a single monomeric subunit such as a nucleoside within a oligomeric compound. The present invention also includes oligomeric compounds which are chimeric oligomeric compounds. "Chimeric" oligomeric compounds or "chimeras," in the context of this invention, are oligomeric compounds containing two or more chemically distinct
20 regions, each made up of at least one monomer unit, i.e., a nucleotide in the case of a nucleic acid based oligomer.

Chimeric oligomeric compounds typically contain at least one region modified so as to confer increased resistance to nuclease degradation, increased cellular uptake, alteration of charge, and/or increased binding affinity for the target nucleic acid. An additional region of the
25 oligomeric compound may serve as a substrate for enzymes capable of cleaving RNA:DNA or RNA:RNA hybrids. By way of example, RNase H is a cellular endonuclease which cleaves the RNA strand of an RNA:DNA duplex. Activation of RNase H, therefore, results in cleavage of the RNA target, thereby greatly enhancing the efficiency of inhibition of gene expression. Consequently, comparable results can often be obtained with shorter oligomeric compounds
30 when chimeras are used, compared to for example phosphorothioate deoxyoligonucleotides hybridizing to the same target region. Cleavage of the RNA target can be routinely detected by gel electrophoresis and, if necessary, associated nucleic acid hybridization techniques known in

- 17 -

the art. Similar observations are made for chimeras that form RNA:RNA hybrids and are substrates for dsRNases.

Chimeric oligomeric compounds of the invention may be formed as composite structures of two or more oligonucleotides, oligonucleotide analogs, oligonucleosides and/or oligonucleotide mimetics as described above. Routinely used chimeric compounds include but are not limited to hybrids, hemimers, gapmers, inverted gapmers and blockmers wherein the various point modifications and or regions are selected from native or modified DNA and RNA type units and or mimetic type subunits such as for example locked nucleic acids (LNA) (which encompasses ENATM as described below), peptide nucleic acids (PNA), morpholinos, and others. These are described below. Representative United States patents that teach the preparation of such hybrid structures include, but are not limited to, U.S.: 5,013,830; 5,149,797; 5,220,007; 5,256,775; 5,366,878; 5,403,711; 5,491,133; 5,565,350; 5,623,065; 5,652,355; 5,652,356; and 5,700,922.

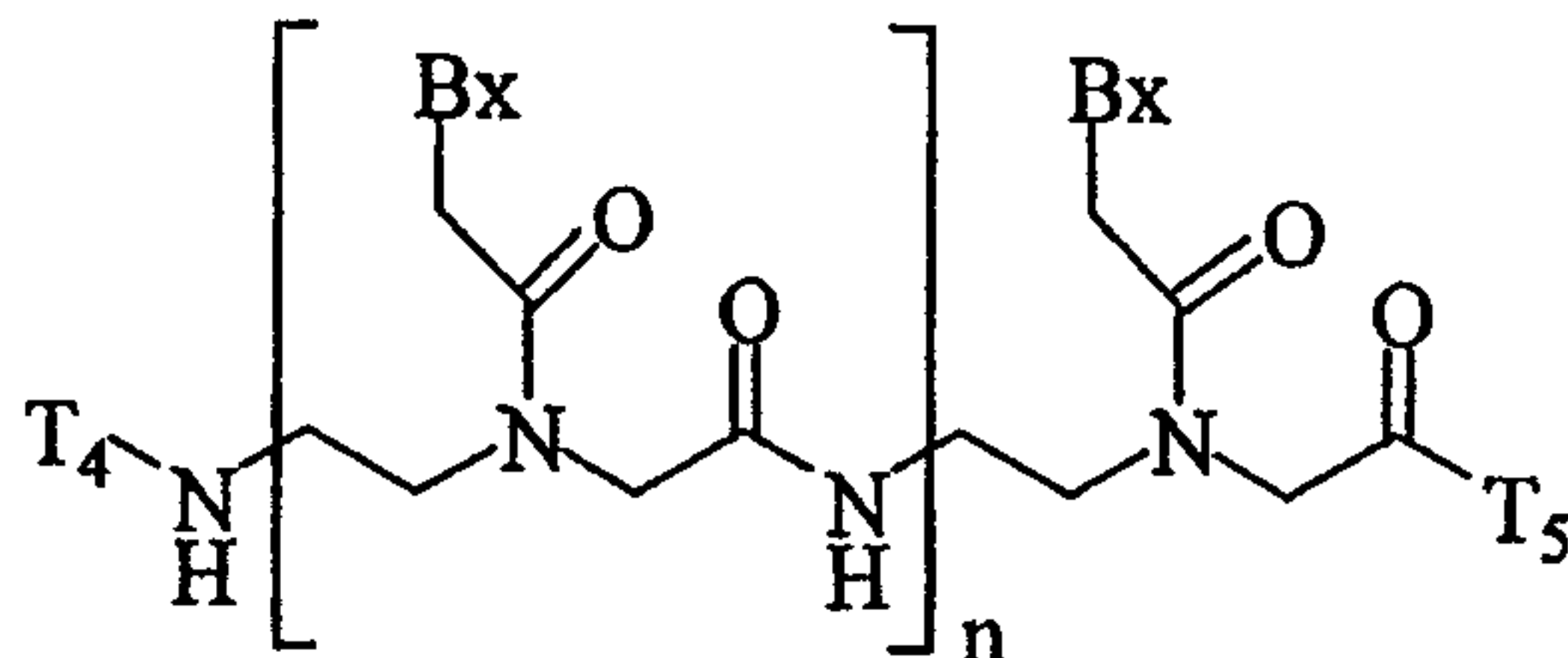
Oligomer Mimetics

Another group of oligomeric compounds amenable to the present invention includes oligonucleotide mimetics. The term mimetic as it is applied to oligonucleotides is intended to include oligomeric compounds wherein the furanose ring or the furanose ring and the internucleotide linkage are replaced with novel groups, replacement of only the furanose ring is also referred to in the art as being a sugar surrogate. The heterocyclic base moiety or a modified heterocyclic base moiety is maintained for hybridization with an appropriate target nucleic acid.

One such oligomeric compound, an oligonucleotide mimetic that has been shown to have excellent hybridization properties, is referred to as a peptide nucleic acid (PNA). PNAs have favorable hybridization properties, high biological stability and are electrostatically neutral molecules. In one recent study PNAs were used to correct aberrant splicing in a transgenic mouse model (Sazani *et al.*, *Nat. Biotechnol.*, 2002, 20, 1228-1233). In PNA oligomeric compounds, the sugar-backbone of an oligonucleotide is replaced with an amide containing backbone, in particular an aminoethylglycine backbone. The nucleobases are bound directly or indirectly (-C(=O)-CH₂- as shown below) to aza nitrogen atoms of the amide portion of the backbone. Representative United States patents that teach the preparation of PNA oligomeric compounds include, but are not limited to, U.S.: 5,539,082; 5,714,331; and 5,719,262.

PNAs can be obtained commercially from Applied Biosystems (Foster City, CA, USA).

Numerous modifications have been made to the basic PNA backbone since it was introduced in 1991 by Nielsen and coworkers (Nielsen *et al.*, *Science*, 1991, 254, 1497-1500). The basic structure is shown below:



5 wherein

Bx is a heterocyclic base moiety;

T₄ is hydrogen, an amino protecting group, -C(O)R₅, substituted or unsubstituted C₁-C₁₀ alkyl, substituted or unsubstituted C₂-C₁₀ alkenyl, substituted or unsubstituted C₂-C₁₀ alkynyl, alkylsulfonyl, arylsulfonyl, a chemical functional group, a reporter group, a conjugate group, a D or L α-amino acid linked via the α-carboxyl group or optionally through the ω-carboxyl group when the amino acid is aspartic acid or glutamic acid or a peptide derived from D, L or mixed D and L amino acids linked through a carboxyl group, wherein the substituent groups are selected from hydroxyl, amino, alkoxy, carboxy, benzyl, phenyl, nitro, thiol, thioalkoxy, halogen, alkyl, aryl, alkenyl and alkynyl;

15 T₅ is -OH, -N(Z₁)Z₂, R₅, D or L α-amino acid linked via the α-amino group or optionally through the ω-amino group when the amino acid is lysine or ornithine or a peptide derived from D, L or mixed D and L amino acids linked through an amino group, a chemical functional group, a reporter group or a conjugate group;

Z₁ is hydrogen, C₁-C₆ alkyl, or an amino protecting group;

20 Z₂ is hydrogen, C₁-C₆ alkyl, an amino protecting group, -C(=O)-(CH₂)_n-J-Z₃, a D or L α-amino acid linked via the α-carboxyl group or optionally through the ω-carboxyl group when the amino acid is aspartic acid or glutamic acid or a peptide derived from D, L or mixed D and L amino acids linked through a carboxyl group;

25 Z₃ is hydrogen, an amino protecting group, -C₁-C₆ alkyl, -C(=O)-CH₃, benzyl, benzoyl, or -(CH₂)_n-N(H)Z₁;

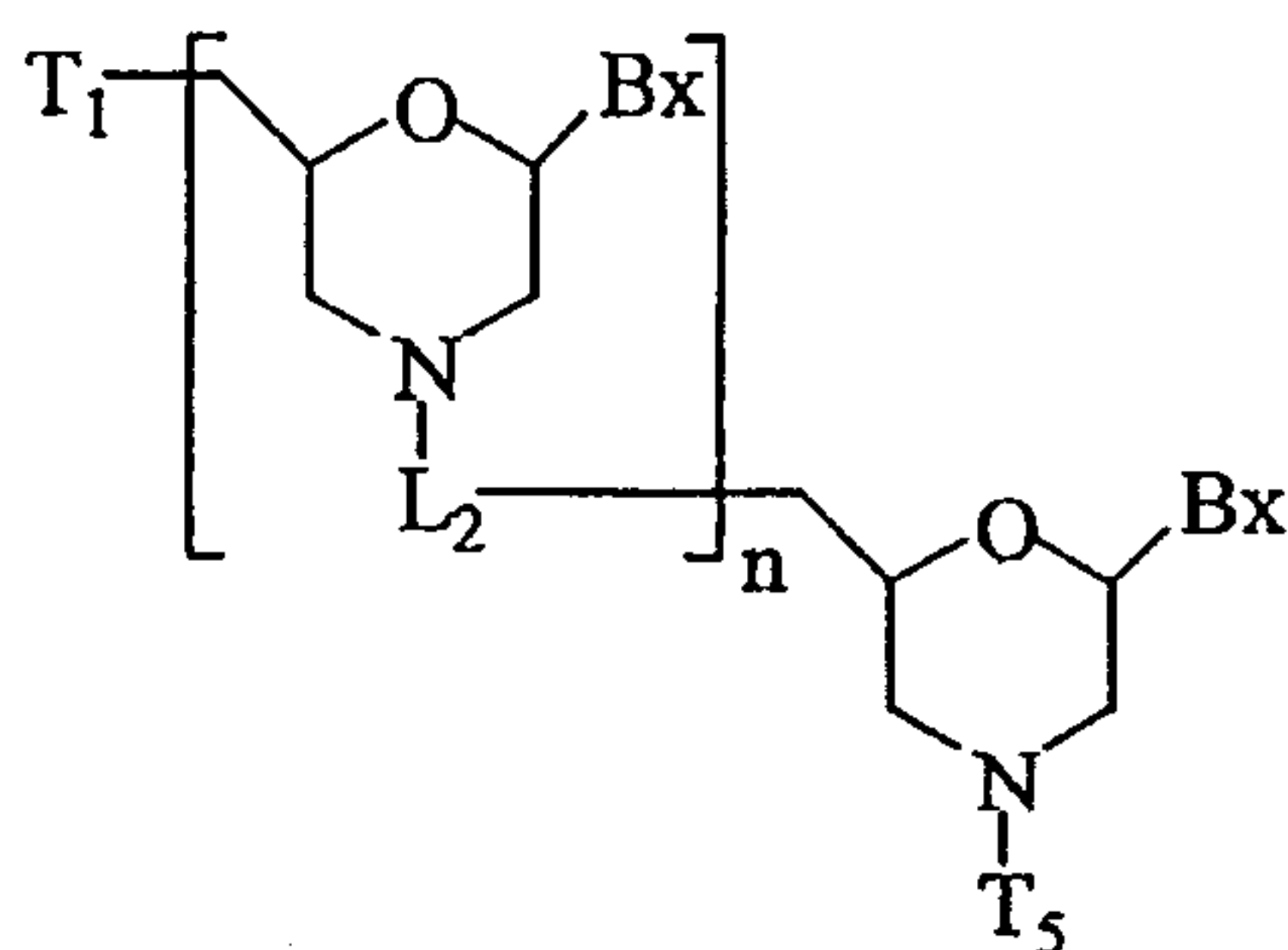
each J is O, S or NH;

R₅ is a carbonyl protecting group; and

n is from 7 to about 79.

Another class of oligonucleotide mimetic that has been studied is based on linked morpholino units (morpholino nucleic acid) having heterocyclic bases attached to the morpholino ring. A number of linking groups have been reported that link the morpholino monomeric units in a morpholino nucleic acid. One class of linking groups have been selected to give a non-ionic oligomeric compound. The non-ionic morpholino-based oligomeric compounds are less likely to have undesired interactions with cellular proteins. Morpholino-based oligomeric compounds are non-ionic mimics of oligonucleotides which are less likely to form undesired interactions with cellular proteins (Dwaine A. Braasch and David R. Corey, *Biochemistry*, 2002, 41(14), 4503-4510). Morpholino-based oligomeric compounds have been studied in zebrafish embryos (see: *Genesis*, volume 30, issue 3, 2001 and Heasman, J., *Dev. Biol.*, 2002, 243, 209-214). Further studies of morpholino-based oligomeric compounds have also been reported (see: Nasevicius *et al.*, *Nat. Genet.*, 2000, 26, 216-220; and Lacerra *et al.*, *Proc. Natl. Acad. Sci.*, 2000, 97, 9591-9596). Morpholino-based oligomeric compounds are disclosed in United States Patent 5,034,506, issued July 23, 1991. The morpholino class of oligomeric compounds have been prepared having a variety of different linking groups joining the monomeric subunits.

Morpholino nucleic acids have been prepared having a variety of different linking groups (L_2) joining the monomeric subunits. The basic formula is shown below:



wherein

T_1 is hydrogen, hydroxyl, a protected hydroxyl, a linked nucleoside or a linked oligomeric compound;

T_5 is hydrogen or a phosphate, phosphate derivative, a linked nucleoside or a linked oligomeric compound; and

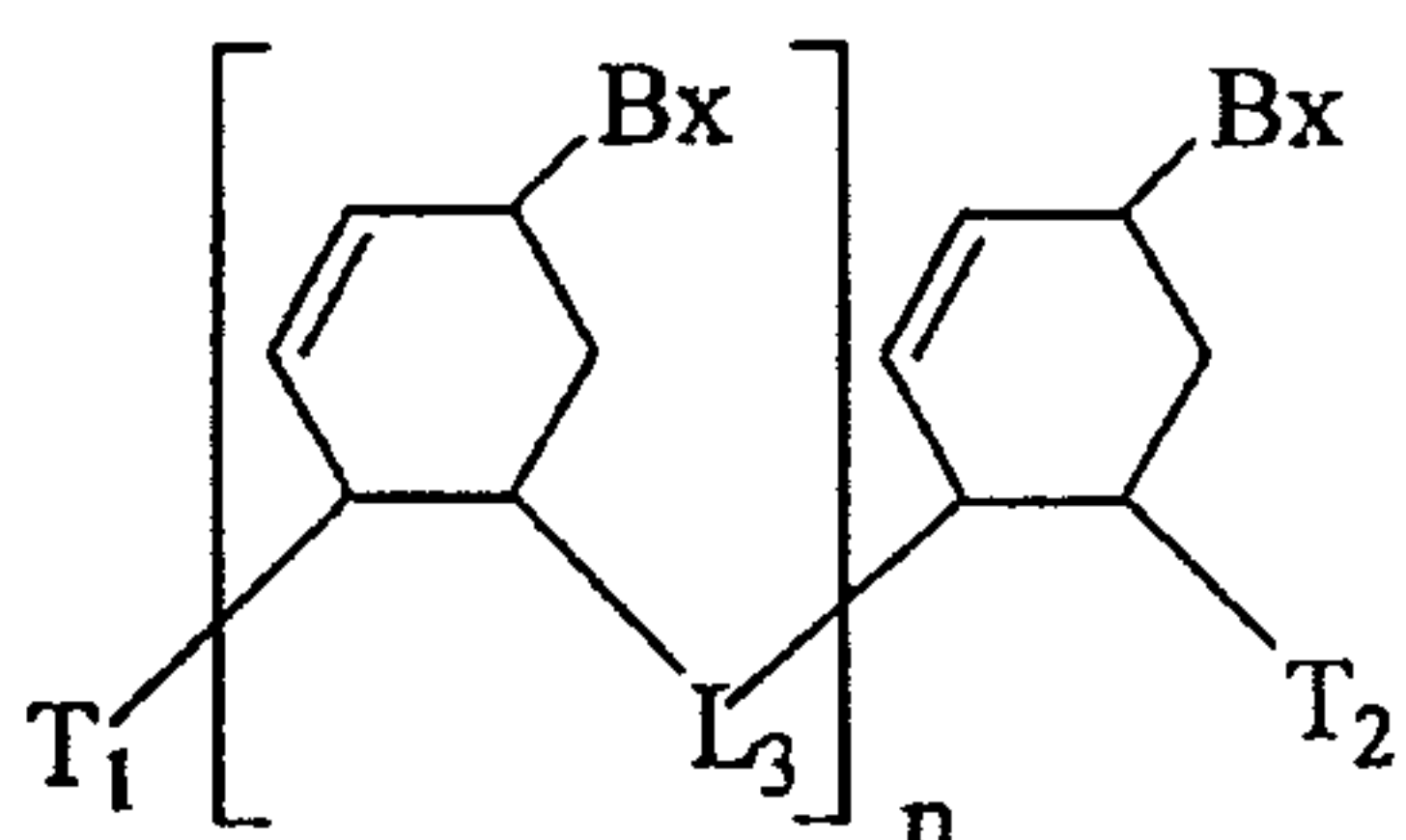
L_2 is a linking group which can be varied from chiral to achiral from charged to neutral (US Patent 5,166,315 discloses linkages including $-O-P(=O)(N(CH_3)_2)-O-$; US Patent 5,034,506 discloses achiral intermorpholino linkages such as for example: $-S(=O)-X-$ where X is NH , NCH_3 , O, S, or CH_2 ; $-C(=Y)-O-$ where Y is O or S; $-S(=O)(OH)-CH_2-$; $-S(=O)(OH)-N(R)-CH_2-$

where R is H or CH₃; and US Patent 5,185,444 discloses phosphorus containing chiral intermorpholino linkages such as for example: -P(=O)(-X)-O- where X is F, CH₂R, S-CH₂R or NR₁R₂ and each R, R₁ and R₂ is H, CH₃ or some other moiety that doesn't interfere with the base specific hydrogen bonding; and

5 n is from 7 to about 79.

A further class of oligonucleotide mimetic is referred to as cyclohexenyl nucleic acids (CeNA). The furanose ring normally present in an DNA/RNA molecule is replaced with a cyclohexenyl ring. CeNA DMT protected phosphoramidite monomers have been prepared and used for oligomeric compound synthesis following classical phosphoramidite chemistry. Fully
10 modified CeNA oligomeric compounds and oligonucleotides having specific positions modified with CeNA have been prepared and studied (see Wang *et al.*, *J. Am. Chem. Soc.*, 2000, 122, 8595-8602). In general the incorporation of CeNA monomers into a DNA chain increases its stability of a DNA/RNA hybrid. CeNA oligoadenylates formed complexes with RNA and DNA complements with similar stability to the native complexes. The study of incorporating CeNA
15 structures into natural nucleic acid structures was shown by NMR and circular dichroism to proceed with easy conformational adaptation. Furthermore the incorporation of CeNA into a sequence targeting RNA was stable to serum and able to activate E. Coli RNase resulting in cleavage of the target RNA strand.

The general formula of CeNA is shown below:



20

wherein

each Bx is a heterocyclic base moiety;

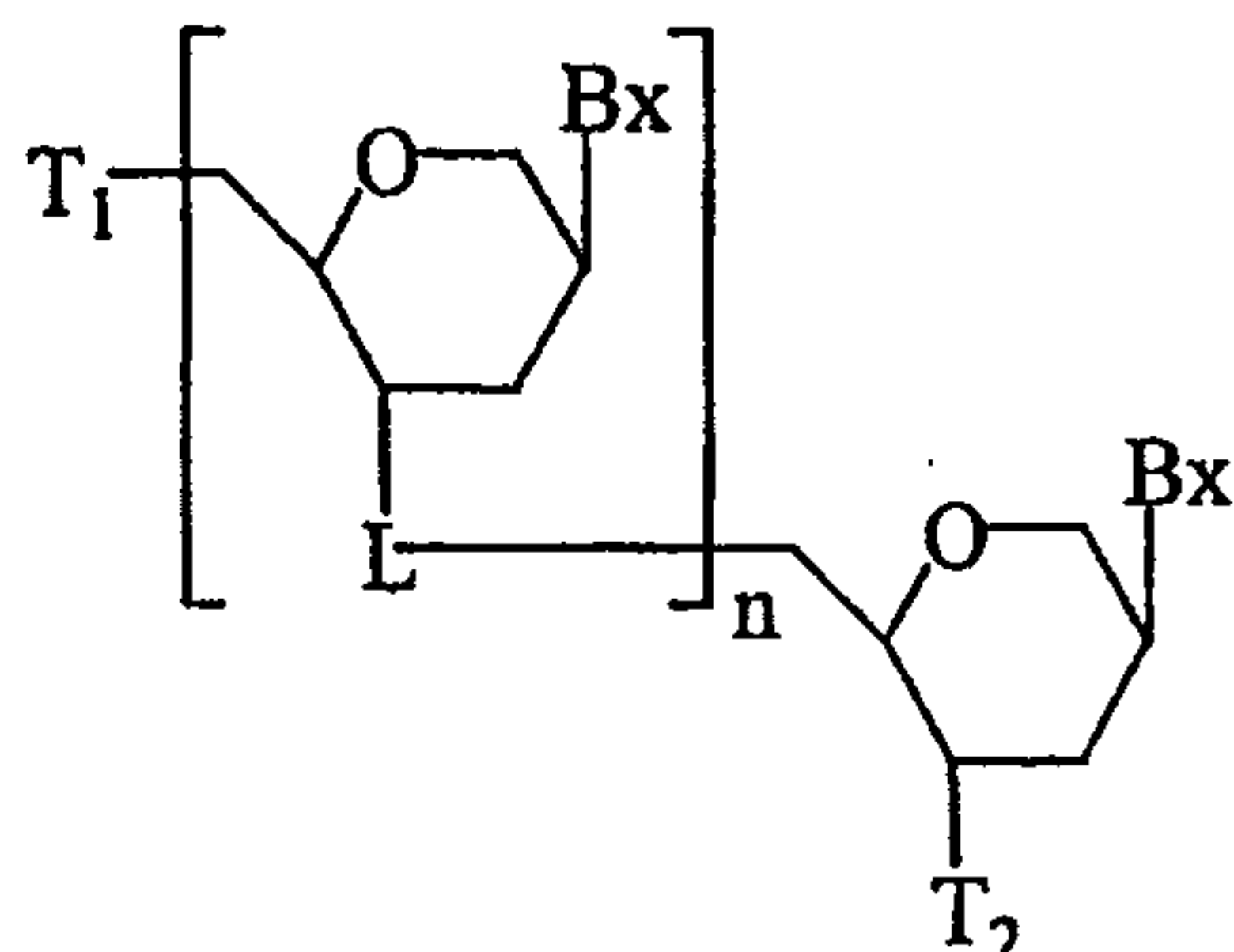
L₃ is an inter cyclohexenyl linkage such as for example a phosphodiester or a phosphorothioate linkage;

25

T₁ is hydrogen, hydroxyl, a protected hydroxyl, a linked nucleoside or a linked oligomeric compound; and

T₂ is hydrogen or a phosphate, phosphate derivative, a linked nucleoside or a linked oligomeric compound.

Another class of oligonucleotide mimetic (anhydrohexitol nucleic acid) can be prepared from one or more anhydrohexitol nucleosides (see, Wouters and Herdewijn, *Bioorg. Med. Chem. Lett.*, 1999, 9, 1563-1566) and would have the general formula:



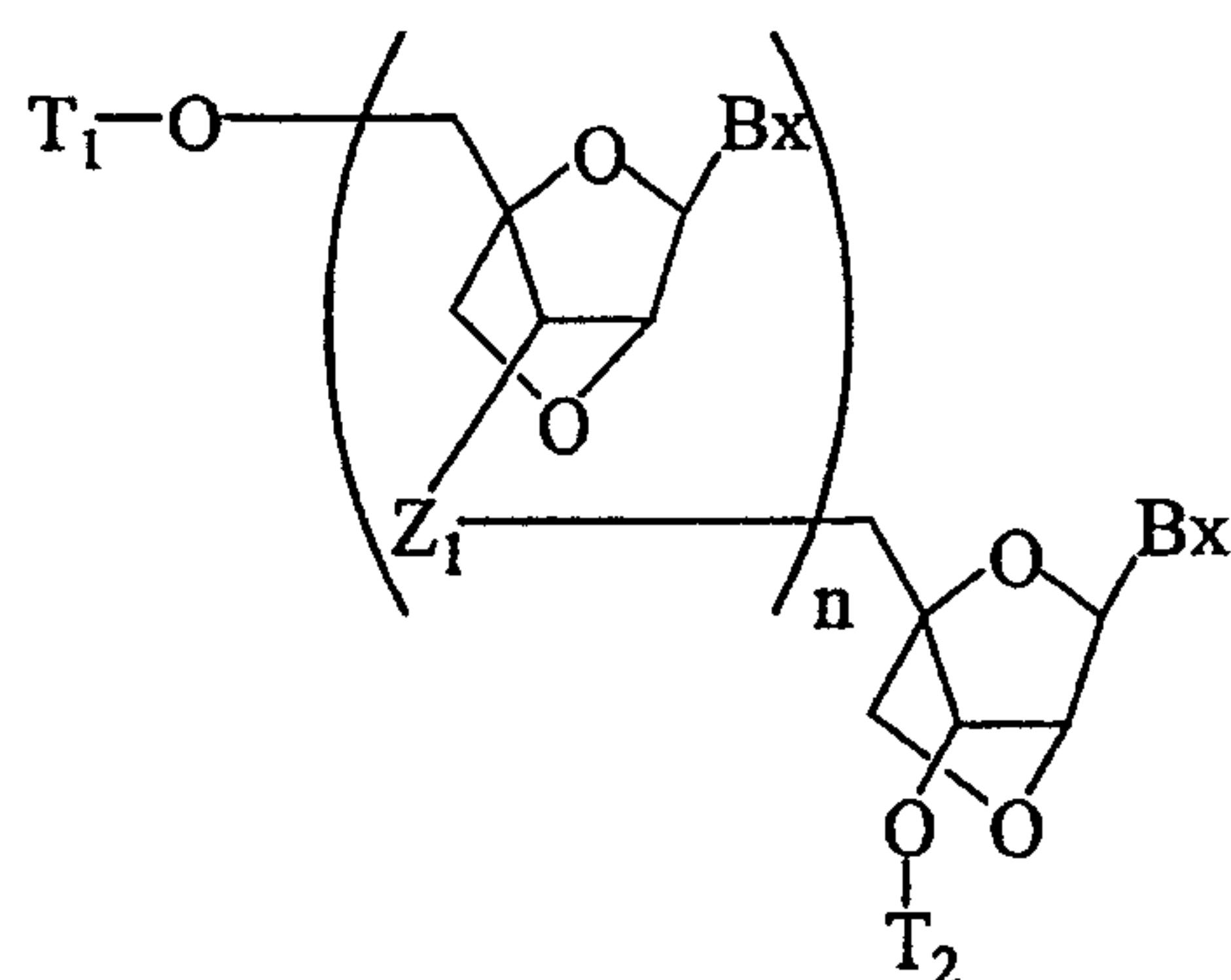
5 each Bx is a heterocyclic base moiety;

L is an inter anhydrohexitol linkage such as for example a phosphodiester or a phosphorothioate linkage;

T₁ is hydrogen, hydroxyl, a protected hydroxyl, a linked nucleoside or a linked oligomeric compound; and

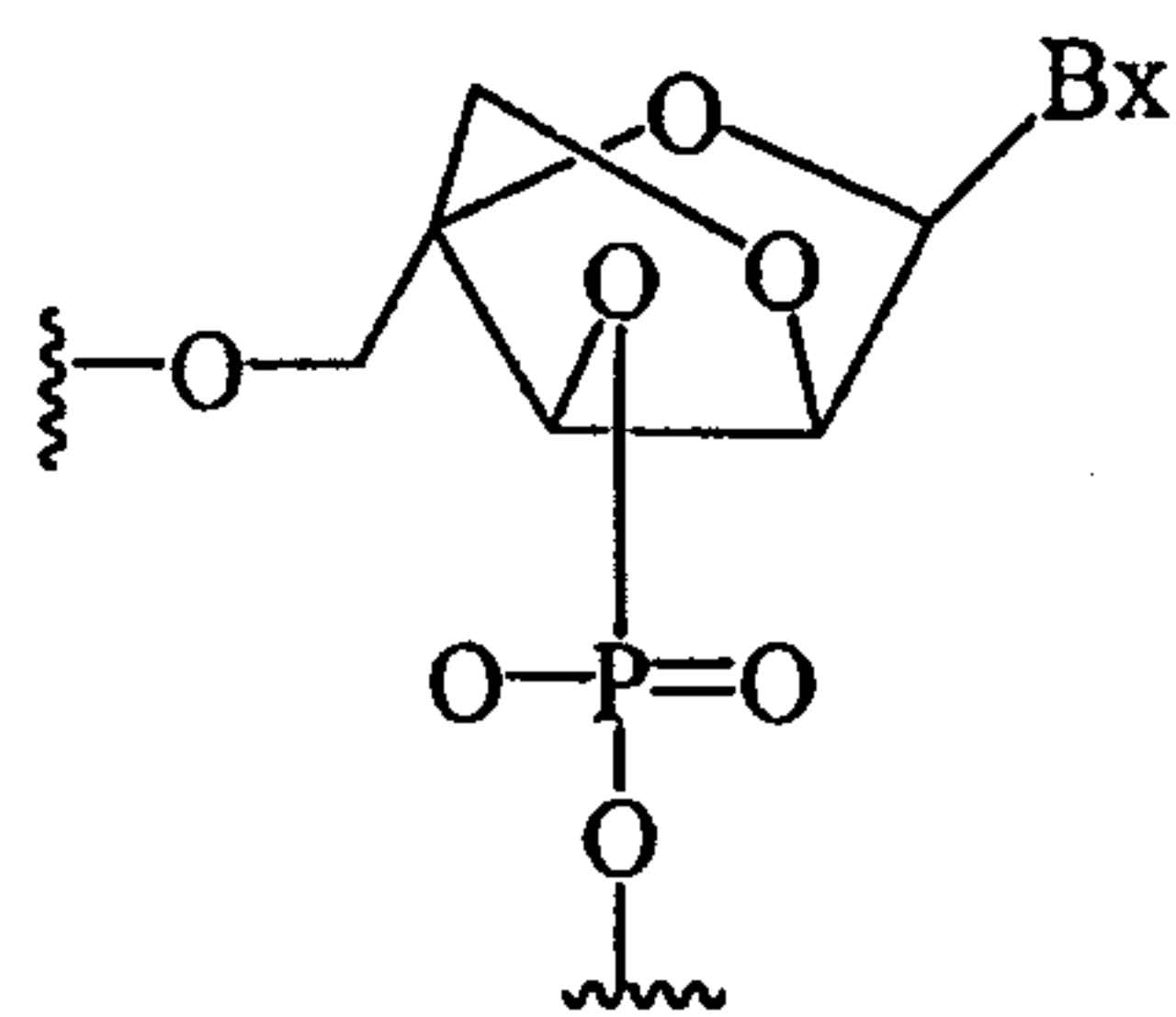
10 T₂ is hydrogen or a phosphate, phosphate derivative, a linked nucleoside or a linked oligomeric compound.

A further modification includes bicyclic sugar moieties such as "Locked Nucleic Acids" (LNAs) in which the 2'-hydroxyl group of the ribosyl sugar ring is linked to the 4' carbon atom of the sugar ring thereby forming a 2'-C,4'-C-oxymethylene linkage to form the bicyclic sugar moiety (reviewed in Elayadi *et al.*, *Curr. Opinion Invens. Drugs*, 2001, 2, 558-561; Braasch *et al.*, *Chem. Biol.*, 2001, 8 1-7; and Orum *et al.*, *Curr. Opinion Mol. Ther.*, 2001, 3, 239-243; see also U.S. Patents: 6,268,490 and 6,670,461). The linkage can be a (-CH₂)_x group bridging the 2' oxygen atom and the 4' carbon atom, wherein if x = 1 the term LNA is used, if x = 2 the term ENATM is used (Singh *et al.*, *Chem. Commun.*, 1998, 4, 455-456; ENATM: Morita *et al.*,
 15 *Bioorganic Medicinal Chemistry*, 2003, 11, 2211-2226). Thus, "ENATM" is one non limiting example of an LNA. LNA and other bicyclic sugar analogs display very high duplex thermal stabilities with complementary DNA and RNA (T_m = +3 to +10 C), stability towards 3'-exonucleolytic degradation and good solubility properties. LNAs are commercially available from ProLigo (Paris, France and Boulder, CO, USA). The basic structure of an LNA having a
 25 single CH₂ linkage in the bicyclic ring system is shown below. This is merely illustrative of one type of LNA.



wherein each T_1 and T_2 is, independently, hydrogen, a hydroxyl protecting group, a linked nucleoside or a linked oligomeric compound, and each Z_1 is an internucleoside linking group such as for example phosphodiester or phosphorothioate.

- 5 An isomer of LNA that has also been studied is alpha-L-LNA which has been shown to have superior stability against a 3'-exonuclease (Frieden *et al.*, *Nucleic Acids Research*, 2003, 21, 6365-6372). The alpha-L-LNA's were incorporated into antisense gapmers and chimeras that showed potent antisense activity. The structure of alpha-L-LNA is shown below:



- 10 Another similar bicyclic sugar moiety that has been prepared and studied has the bridge going from the 3'-hydroxyl group via a single methylene group to the 4' carbon atom of the sugar ring thereby forming a 3'-C,4'-C-oxymethylene linkage (see U.S. Patent, 6,043,060).

- The conformations of LNAs determined by 2D NMR spectroscopy have shown that the locked orientation of the LNA nucleotides, both in single-stranded LNA and in duplexes,
 15 constrains the phosphate backbone in such a way as to introduce a higher population of the N-type conformation (Petersen *et al.*, *J. Mol. Recognit.*, 2000, 13, 44-53). These conformations are associated with improved stacking of the nucleobases (Wengel *et al.*, *Nucleosides Nucleotides*, 1999, 18, 1365-1370).

- LNA has been shown to form exceedingly stable LNA:LNA duplexes (Koshkin *et al.*, *J. Am. Chem. Soc.*, 1998, 120, 13252-13253). LNA:LNA hybridization was shown to be the most thermally stable nucleic acid type duplex system, and the RNA-mimicking character of LNA
 20 was established at the duplex level. Introduction of three (3) LNA monomers (T or A)

significantly increased melting points ($T_m = +15/+11$) toward DNA complements. The universality of LNA-mediated hybridization has been stressed by the formation of exceedingly stable LNA:LNA duplexes. The RNA-mimicking of LNA was reflected with regard to the N-type conformational restriction of the monomers and to the secondary structure of the LNA:RNA duplex.

LNAs also form duplexes with complementary DNA, RNA or LNA with high thermal affinities. Circular dichroism (CD) spectra show that duplexes involving fully modified LNA (esp. LNA:RNA) structurally resemble an A-form RNA:RNA duplex. Nuclear magnetic resonance (NMR) examination of an LNA:DNA duplex confirmed the 3'-endo conformation of an LNA monomer. Recognition of double-stranded DNA has also been demonstrated suggesting strand invasion by LNA. Studies of mismatched sequences show that LNAs obey the Watson-Crick base pairing rules with generally improved selectivity compared to the corresponding unmodified reference strands. DN/LNA chimeras have been shown to efficiently inhibit gene expression when targeted to a variety of regions (5'-untranslated region, region of the start codon or coding region) within the luciferase mRNA (Braasch *et al.*, *Nucleic Acids Research*, 2002, 30, 5160-5167).

Novel types of LNA-oligomeric compounds, as well as the LNAs, are useful in a wide range of diagnostic and therapeutic applications. Among these are antisense applications, PCR applications, strand-displacement oligomers, substrates for nucleic acid polymerases and generally as nucleotide-based drugs.

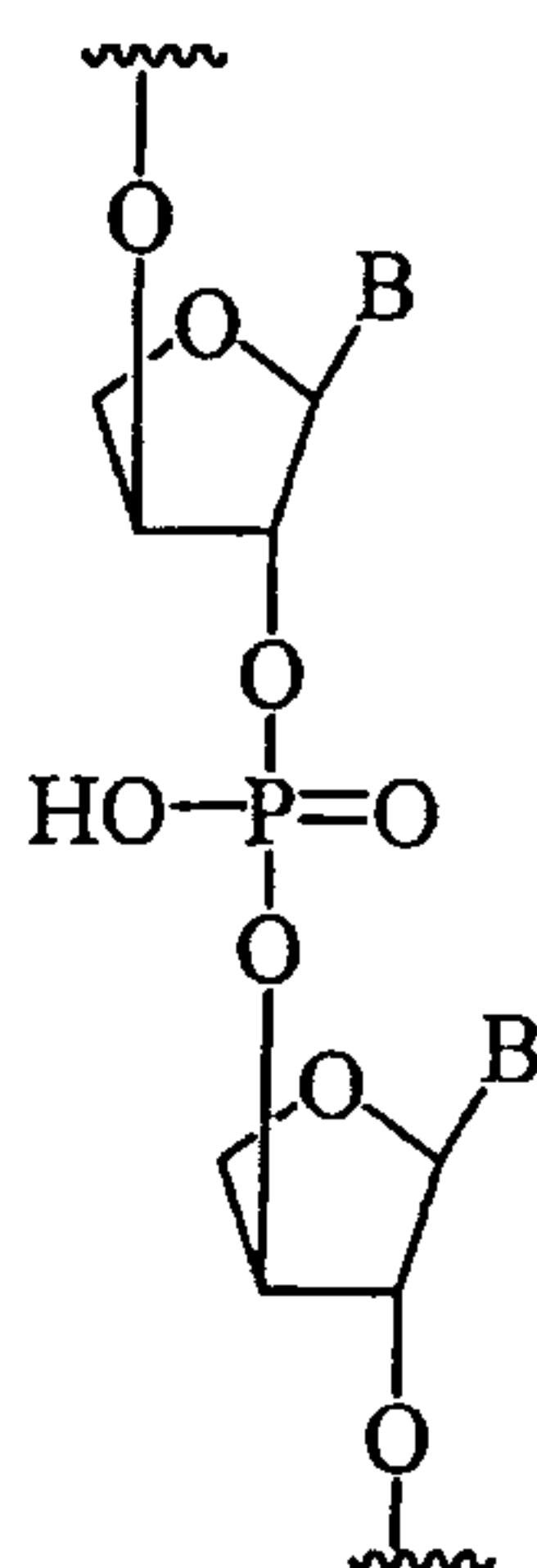
Potent and nontoxic antisense oligonucleotides containing LNAs have been described (Wahlestedt *et al.*, *Proc. Natl. Acad. Sci. U. S. A.*, 2000, 97, 5633-5638.) The authors have demonstrated that LNAs confer several desired properties to antisense compounds. LNA/DNA copolymers were not degraded readily in blood serum and cell extracts. LNA/DNA copolymers exhibited potent antisense activity in assay systems as disparate as G-protein-coupled receptor signaling in living rat brain and detection of reporter genes in *Escherichia coli*. Lipofectin-mediated efficient delivery of LNA into living human breast cancer cells has also been accomplished. Further successful *in vivo* studies involving LNA's have shown knock-down of the rat delta opioid receptor without toxicity (Wahlestedt *et al.*, *Proc. Natl. Acad. Sci.*, 2000, 97, 5633-5638) and in another study showed a blockage of the translation of the large subunit of RNA polymerase II (Fluiter *et al.*, *Nucleic Acids Res.*, 2003, 31, 953-962).

The synthesis and preparation of the LNA monomers adenine, cytosine, guanine, 5-methyl-cytosine, thymine and uracil, along with their oligomerization, and nucleic acid

recognition properties have been described (Koshkin et al., *Tetrahedron*, 1998, 54, 3607-3630). LNAs and preparation thereof are also described in WO 98/39352 and WO 99/14226.

The first analogs of LNA, phosphorothioate-LNA and 2'-thio-LNAs, have also been prepared (Kumar et al., *Bioorg. Med. Chem. Lett.*, 1998, 8, 2219-2222). Preparation of locked
 5 nucleoside analogs containing oligodeoxyribonucleotide duplexes as substrates for nucleic acid polymerases has also been described (Wengel et al., PCT International Application WO03/020739; and WO99/14226). Furthermore, synthesis of 2'-amino-LNA, a novel conformationally restricted high-affinity oligonucleotide analog with a handle has been described in the art (Singh et al., *J. Org. Chem.*, 1998, 63, 10035-10039). In addition, 2'-amino-
 10 and 2'-methylamino-LNA's have been prepared and the thermal stability of their duplexes with complementary RNA and DNA strands has been previously reported.

Another oligonucleotide mimetic amenable to the present invention that has been prepared and studied is threose nucleic acid. This oligonucleotide mimetic is based on threose nucleosides instead of ribose nucleosides and has the general structure shown below:



15

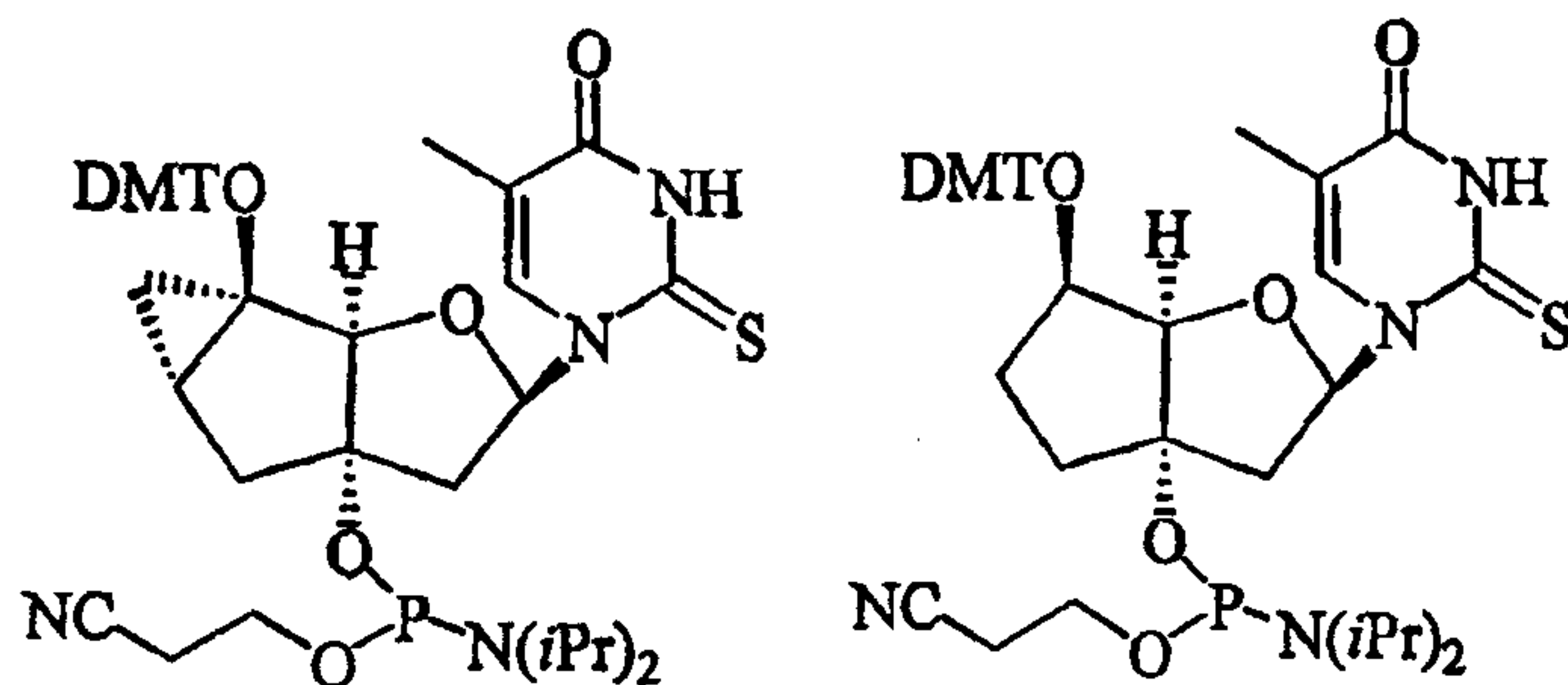
Initial interest in (3',2')-alpha-L-threose nucleic acid (TNA) was directed to the question of whether a DNA polymerase existed that would copy the TNA. It was found that certain DNA polymerases are able to copy limited stretches of a TNA template (reported in *C&EN/January 13, 2003*).

20

In another study it was determined that TNA is capable of antiparallel Watson-Crick base pairing with complementary DNA, RNA and TNA oligonucleotides (Chaput *et al.*, *J. Am. Chem. Soc.*, 2003, 125, 856-857).

In one study (3',2')-alpha-L-threose nucleic acid was prepared and compared to the 2' and 3' amidate analogs (Wu *et al.*, *Organic Letters*, 2002, 4(8), 1279-1282). The amidate
 25 analogs were shown to bind to RNA and DNA with comparable strength to that of RNA/DNA.

Further oligonucleotide mimetics have been prepared to include bicyclic and tricyclic nucleoside analogs having the formulas (amidite monomers shown):

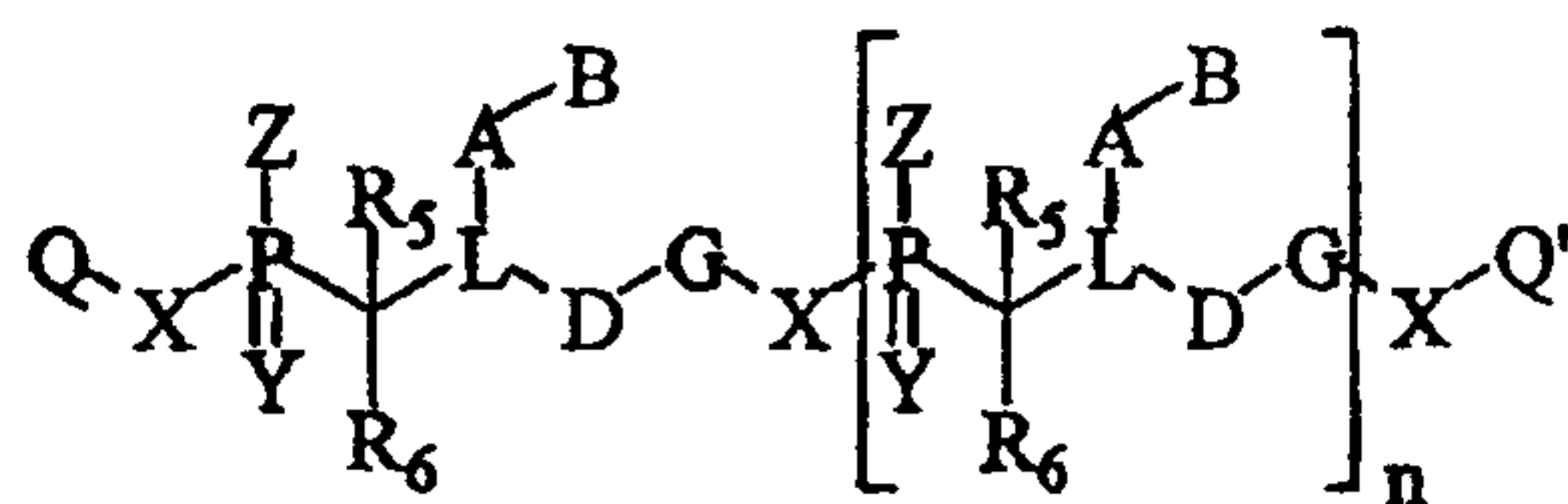


- 5 (see Steffens *et al.*, *Helv. Chim. Acta*, 1997, 80, 2426-2439; Steffens *et al.*, *J. Am. Chem. Soc.*, 1999, 121, 3249-3255; Renneberg *et al.*, *J. Am. Chem. Soc.*, 2002, 124, 5993-6002; and Renneberg *et al.*, *Nucleic acids res.*, 2002, 30, 2751-2757). These modified nucleoside analogs have been oligomerized using the phosphoramidite approach and the resulting oligomeric compounds containing tricyclic nucleoside analogs have shown increased thermal stabilities
- 10 (Tm's) when hybridized to DNA, RNA and itself. Oligomeric compounds containing bicyclic nucleoside analogs have shown thermal stabilities approaching that of DNA duplexes.

Another class of oligonucleotide mimetic is referred to as phosphonomonoester nucleic acids which incorporate a phosphorus group in the backbone. This class of oligonucleotide mimetic is reported to have useful physical and biological and pharmacological properties in the

15 areas of inhibiting gene expression (antisense oligonucleotides, ribozymes, sense oligonucleotides and triplex-forming oligonucleotides), as probes for the detection of nucleic acids and as auxiliaries for use in molecular biology.

The general formula (for definitions of Markush variables see: United States Patents 5,874,553 and 6,127,346) is shown below.



20

Further oligonucleotide mimetics amenable to the present invention have been prepared wherein a cyclobutyl ring replaces the naturally occurring furanosyl ring.

Modified Internucleoside Linkages

Specific examples of antisense oligomeric compounds useful in this invention include

25 oligonucleotides containing modified e.g. non-naturally occurring internucleoside linkages. As

defined in this specification, oligonucleotides having modified internucleoside linkages include internucleoside linkages that retain a phosphorus atom and internucleoside linkages that do not have a phosphorus atom. For the purposes of this specification, and as sometimes referenced in the art, modified oligonucleotides that do not have a phosphorus atom in their internucleoside backbone can also be considered to be oligonucleosides.

Modified oligonucleotide backbones containing a phosphorus atom therein include, for example, phosphorothioates, chiral phosphorothioates, phosphorodithioates, phosphotriesters, aminoalkylphosphotriesters, methyl and other alkyl phosphonates including 3'-alkylene phosphonates, 5'-alkylene phosphonates and chiral phosphonates, phosphinates, phosphoramidates including 3'-amino phosphoramidate and aminoalkylphosphoramidates, thionophosphoramidates, thionoalkylphosphonates, thionoalkylphosphotriesters, phosphonoacetate and thiophosphonoacetate (see Sheehan *et al.*, *Nucleic Acids Research*, 2003, 31(14), 4109-4118 and Dellinger *et al.*, *J. Am. Chem. Soc.*, 2003, 125, 940-950), selenophosphates and boranophosphates having normal 3'-5' linkages, 2'-5' linked analogs of these, and those having inverted polarity wherein one or more internucleotide linkages is a 3' to 3', 5' to 5' or 2' to 2' linkage. One phosphorus containing modified internucleoside linkage is the phosphorothioate internucleoside linkage, which is linked in a 3'-5' linkage. Oligonucleotides having inverted polarity comprise a single 3' to 3' linkage at the 3'-most internucleotide linkage i.e. a single inverted nucleoside residue which may be abasic (the nucleobase is missing or has a hydroxyl group in place thereof). Various salts, mixed salts and free acid forms are also included.

N3'-P5'-phosphoramidates have been reported to exhibit both a high affinity towards a complementary RNA strand and nuclease resistance (Gryaznov *et al.*, *J. Am. Chem. Soc.*, 1994, 116, 3143-3144). N3'-P5'-phosphoramidates have been studied with some success *in vivo* to specifically down regulate the expression of the *c-myc* gene (Skorski *et al.*, *Proc. Natl. Acad. Sci.*, 1997, 94, 3966-3971; and Faira *et al.*, *Nat. Biotechnol.*, 2001, 19, 40-44).

Representative United States patents that teach the preparation of the above phosphorus-containing linkages include, but are not limited to, U.S.: 3,687,808; 4,469,863; 4,476,301; 5,023,243; 5,177,196; 5,188,897; 5,264,423; 5,276,019; 5,278,302; 5,286,717; 5,321,131; 5,399,676; 5,405,939; 5,453,496; 5,455,233; 5,466,677; 5,476,925; 5,519,126; 5,536,821; 5,541,306; 5,550,111; 5,563,253; 5,571,799; 5,587,361; 5,194,599; 5,565,555; 5,527,899; 5,721,218; 5,672,697 and 5,625,050.

In some embodiments of the invention, oligomeric compounds have one or more phosphorothioate and/or heteroatom internucleoside linkages, in particular -CH₂-NH-O-CH₂-, -CH₂-N(CH₃)-O-CH₂- (known as a methylene (methylimino) or MMI backbone), -CH₂-O-N(CH₃)-CH₂-, -CH₂-N(CH₃)-N(CH₃)-CH₂- and -O-N(CH₃)-CH₂-CH₂- (wherein the native phosphodiester internucleotide linkage is represented as -O-P(=O)(OH)-O-CH₂-). The MMI type internucleoside linkages are disclosed in the above referenced U.S. patent 5,489,677. Amide internucleoside linkages are disclosed in the above referenced U.S. patent 5,602,240.

Modified oligonucleotide backbones that do not include a phosphorus atom therein have backbones that are formed by short chain alkyl or cycloalkyl internucleoside linkages, mixed heteroatom and alkyl or cycloalkyl internucleoside linkages, or one or more short chain heteroatomic or heterocyclic internucleoside linkages. These include those having morpholino linkages (formed in part from the sugar portion of a nucleoside); siloxane backbones; sulfide, sulfoxide and sulfone backbones; formacetyl and thioformacetyl backbones; methylene formacetyl and thioformacetyl backbones; riboacetyl backbones; alkene containing backbones; sulfamate backbones; methyleneimino and methylenehydrazino backbones; sulfonate and sulfonamide backbones; amide backbones; and others having mixed N, O, S and CH₂ component parts.

Representative United States patents that teach the preparation of the above oligonucleosides include, but are not limited to, U.S.: 5,034,506; 5,166,315; 5,185,444; 5,214,134; 5,216,141; 5,235,033; 5,264,562; 5,264,564; 5,405,938; 5,434,257; 5,466,677; 5,470,967; 5,489,677; 5,541,307; 5,561,225; 5,596,086; 5,602,240; 5,610,289; 5,602,240; 5,608,046; 5,610,289; 5,618,704; 5,623,070; 5,663,312; 5,633,360; 5,677,437; 5,792,608; 5,646,269 and 5,677,439.

Modified sugars

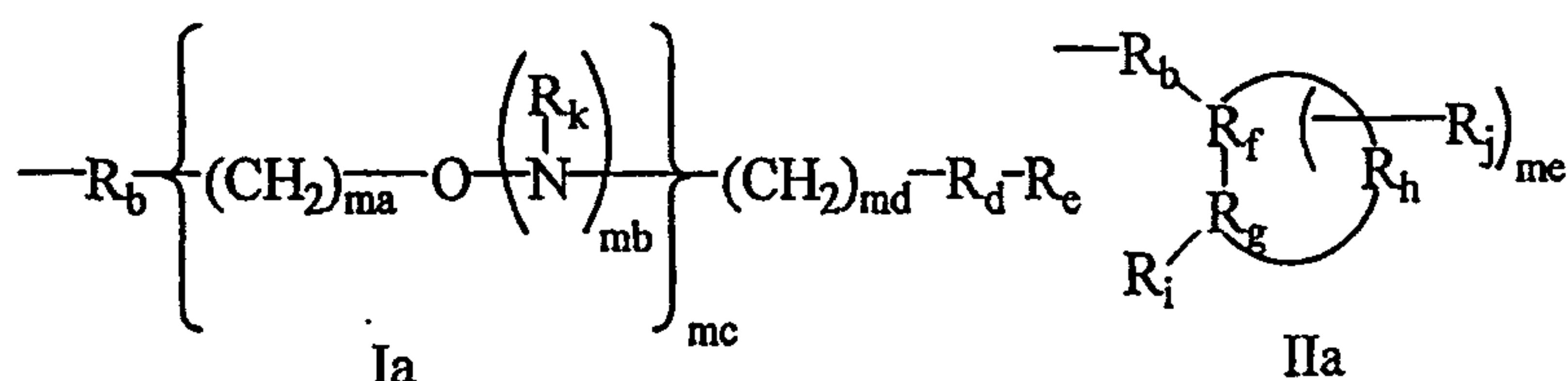
Oligomeric compounds of the invention may also contain one or more substituted or other wise modified sugar moieties. Ribosyl and related sugar moieties are routinely modified at any reactive position not involved in linking. Thus a suitable position for a sugar substituent group is the 2'-position not usually used in the native 3' to 5'-internucleoside linkage. Other suitable positions are the 3' and the 5'-termini. 3'-sugar positions are open to modification when the linkage between two adjacent sugar units is a 2', 5'-linkage. Sugar substituent groups include: OH; F; O-, S-, or N-alkyl; O-, S-, or N-alkenyl; O-, S- or N-alkynyl; or O-alkyl-O-alkyl, wherein the alkyl, alkenyl and alkynyl may be substituted or unsubstituted C₁ to C₁₀ alkyl or C₂ to C₁₀ alkenyl and alkynyl. Particularly

suitable are $O((CH_2)_nO)_mCH_3$, $O(CH_2)_nOCH_3$, $O(CH_2)_nNH_2$, $O(CH_2)_nCH_3$, $O(CH_2)_nONH_2$, and $O(CH_2)_nON((CH_2)_nCH_3)_2$, where n and m are from 1 to about 10. Other suitable oligonucleotides comprise a sugar substituent group selected from: C_1 to C_{10} lower alkyl, substituted lower alkyl, alkenyl, alkynyl, alkaryl, aralkyl, O-alkaryl or O-aralkyl, SH, SCH_3 , OCN, Cl, Br, CN, CF_3 , OCF_3 , $SOCH_3$, SO_2CH_3 , ONO_2 , NO_2 , N_3 , NH_2 , heterocycloalkyl, heterocycloalkaryl, aminoalkylamino, polyalkylamino, substituted silyl, an RNA cleaving group, a reporter group, an intercalator, a group for improving the pharmacokinetic properties of an oligonucleotide, or a group for improving the pharmacodynamic properties of an oligonucleotide, and other substituents having similar properties.

One modification includes 2'-methoxyethoxy (2'-O- $CH_2CH_2OCH_3$, also known as 2'-O-(2-methoxyethyl) or 2'-MOE) (Martin *et al.*, *Helv. Chim. Acta*, 1995, 78, 486-504) i.e., an alkoxyalkoxy group. Further modifications includes 2'-dimethylaminoethoxy, i.e., a $O(CH_2)_2ON(CH_3)_2$ group, also known as 2'-DMAOE, as described in examples hereinbelow, 2'-dimethylaminoethoxyethoxy (also known in the art as 2'-O-dimethyl-amino-ethoxy-ethyl or 2'-DMAEOE), i.e., 2'-O- $(CH_2)_2O-(CH_2)_2N(CH_3)_2$, and N-methylacetamide (also referred to as NMA, 2'-O- $CH_2-C(=O)-N(H)CH_3$.)

Other sugar substituent groups include methoxy (-O- CH_3), aminopropoxy (-O $CH_2CH_2CH_2NH_2$), allyl (- $CH_2-CH=CH_2$), -O-allyl (-O- $CH_2-CH=CH_2$) and fluoro (F). 2'-Sugar substituent groups may be in the arabino (up) position or ribo (down) position. One 2'-arabino modification is 2'-F (see: Loc *et al.*, *Biochemistry*, 2002, 41, 3457-3467). Similar modifications may also be made at other positions on the oligomeric compound, particularly the 3' position of the sugar on the 3' terminal nucleoside or in 2'-5' linked oligonucleotides and the 5' position of 5' terminal nucleotide. Oligomeric compounds may also have sugar mimetics such as cyclobutyl moieties in place of the pentofuranosyl sugar. Representative United States patents that teach the preparation of such modified sugar structures include, but are not limited to, U.S.: 4,981,957; 5,118,800; 5,319,080; 5,359,044; 5,393,878; 5,446,137; 5,466,786; 5,514,785; 5,519,134; 5,567,811; 5,576,427; 5,591,722; 5,597,909; 5,610,300; 5,627,053; 5,639,873; 5,646,265; 5,658,873; 5,670,633; 5,792,747; 5,700,920; and 6,147,200.

Further representative sugar substituent groups include groups of formula I_a or II_a:



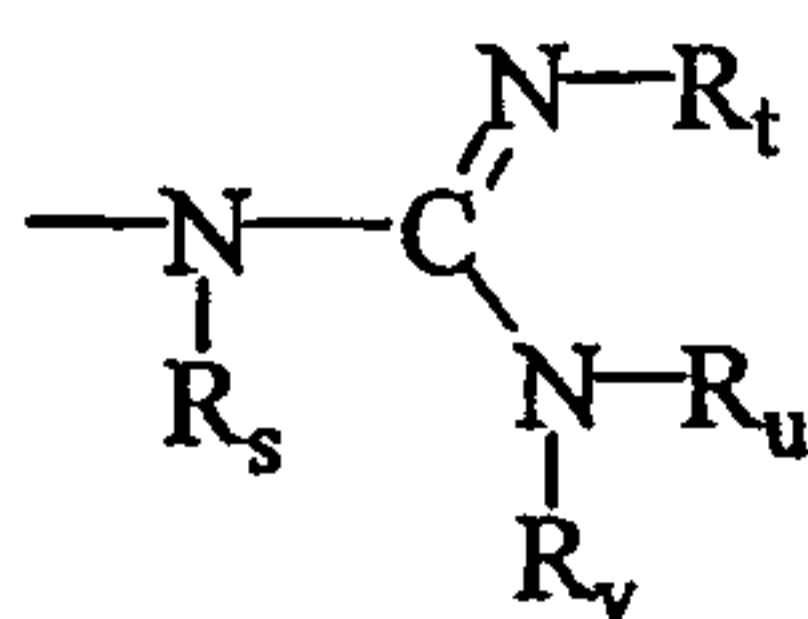
wherein:

R_b is O, S or NH;

R_d is a single bond, O, S or C(=O);

5 R_e is C₁-C₁₀ alkyl, N(R_k)(R_m), N(R_k)(R_n), N=C(R_p)(R_q), N=C(R_p)(R_r) or has formula

III_a;



III_a

R_p and R_q are each independently hydrogen or C₁-C₁₀ alkyl;

R_r is -R_x-R_y;

10 each R_s , R_t , R_u and R_v is, independently, hydrogen, C(O)R_w, substituted or unsubstituted C₁-C₁₀ alkyl, substituted or unsubstituted C₂-C₁₀ alkenyl, substituted or unsubstituted C₂-C₁₀ alkynyl, alkylsulfonyl, arylsulfonyl, a chemical functional group or a conjugate group, wherein the substituent groups are selected from hydroxyl, amino, alkoxy, carboxy, benzyl, phenyl, nitro, thiol, thioalkoxy, halogen, alkyl, aryl, alkenyl and alkynyl;

15 or optionally, R_u and R_v , together form a phthalimido moiety with the nitrogen atom to which they are attached;

each R_w is, independently, substituted or unsubstituted C₁-C₁₀ alkyl, trifluoromethyl, cyanoethoxy, methoxy, ethoxy, t-butoxy, allyloxy, 9-fluorenylmethoxy, 2-(trimethylsilyl)-ethoxy, 2,2,2-trichloroethoxy, benzyloxy, butyryl, iso-butyryl, phenyl or aryl;

20 R_k is hydrogen, a nitrogen protecting group or -R_x-R_y;

R_x is a bond or a linking moiety;

R_y is a chemical functional group, a conjugate group or a solid support medium;

25 each R_m and R_n is, independently, H, a nitrogen protecting group, substituted or unsubstituted C₁-C₁₀ alkyl, substituted or unsubstituted C₂-C₁₀ alkenyl, substituted or unsubstituted C₂-C₁₀ alkynyl, wherein the substituent groups are selected from hydroxyl, amino, alkoxy, carboxy, benzyl, phenyl, nitro, thiol, thioalkoxy, halogen, alkyl, aryl, alkenyl, alkynyl; NH₃⁺, N(R_u)(R_v), guanidino and acyl where said acyl is an acid amide or an ester;

or R_k and R_m , together, are a nitrogen protecting group, are joined in a ring structure that optionally includes an additional heteroatom selected from N and O or are a chemical functional group;

R_i is OR_z , SR_z , or $N(R_z)_2$;

5 each R_z is, independently, H, C_1 - C_8 alkyl, C_1 - C_8 haloalkyl, $C(=NH)N(H)R_u$, $C(=O)N(H)R_u$ or $OC(=O)N(H)R_u$;

R_f , R_g and R_h comprise a ring system having from about 4 to about 7 carbon atoms or having from about 3 to about 6 carbon atoms and 1 or 2 heteroatoms wherein said heteroatoms are selected from oxygen, nitrogen and sulfur and wherein said ring system is aliphatic,
10 unsaturated aliphatic, aromatic, or saturated or unsaturated heterocyclic;

R_j is alkyl or haloalkyl having 1 to about 10 carbon atoms, alkenyl having 2 to about 10 carbon atoms, alkynyl having 2 to about 10 carbon atoms, aryl having 6 to about 14 carbon atoms, $N(R_k)(R_m)OR_k$, halo, SR_k or CN;

ma is 1 to about 10;

15 each mb is, independently, 0 or 1;

mc is 0 or an integer from 1 to 10;

md is an integer from 1 to 10;

me is from 0, 1 or 2; and

provided that when mc is 0, md is greater than 1.

20 Representative substituent groups of Formula I are disclosed in United States Patent No. 6,172,209, entitled "Capped 2'-Oxyethoxy Oligonucleotides,".

Representative cyclic substituent groups of Formula II are disclosed in United States Patent No. 6,271,358, entitled "RNA Targeted 2'-Oligomeric compounds that are
25 Conformationally Preorganized,".

Sugar substituent groups include $O((CH_2)_nO)_mCH_3$, $O(CH_2)_nOCH_3$, $O(CH_2)_nNH_2$, $O(CH_2)_nCH_3$, $O(CH_2)_nONH_2$, and $O(CH_2)_nON((CH_2)_nCH_3)_2$, where n and m are from 1 to about 10.

30 Representative guanidino substituent groups that are shown in formula III are disclosed in United States Patent No. 6,593,466, entitled "Functionalized Oligomers", filed July 7, 1999.

Representative acetamido substituent groups are disclosed in United States Patent 6,147,200.

Representative dimethylaminoethoxyethyl substituent groups are disclosed in International Publication No. WO00/08044895, entitled "2'-O-Dimethylaminoethoxyethyl-Oligomeric compounds".

The oligomeric compounds of the invention may also comprise two or more of the same, or chemically distinct, sugar, base, and internucleoside linkage modifications in any combination. The term "chemically distinct" as used herein means different chemical entities whether entirely or partially distinct. For example, an oligomeric compound may comprise a 2'-fluoro and 2'-MOE modification. These two modifications are considered to be chemically distinct entities located within the same molecule.

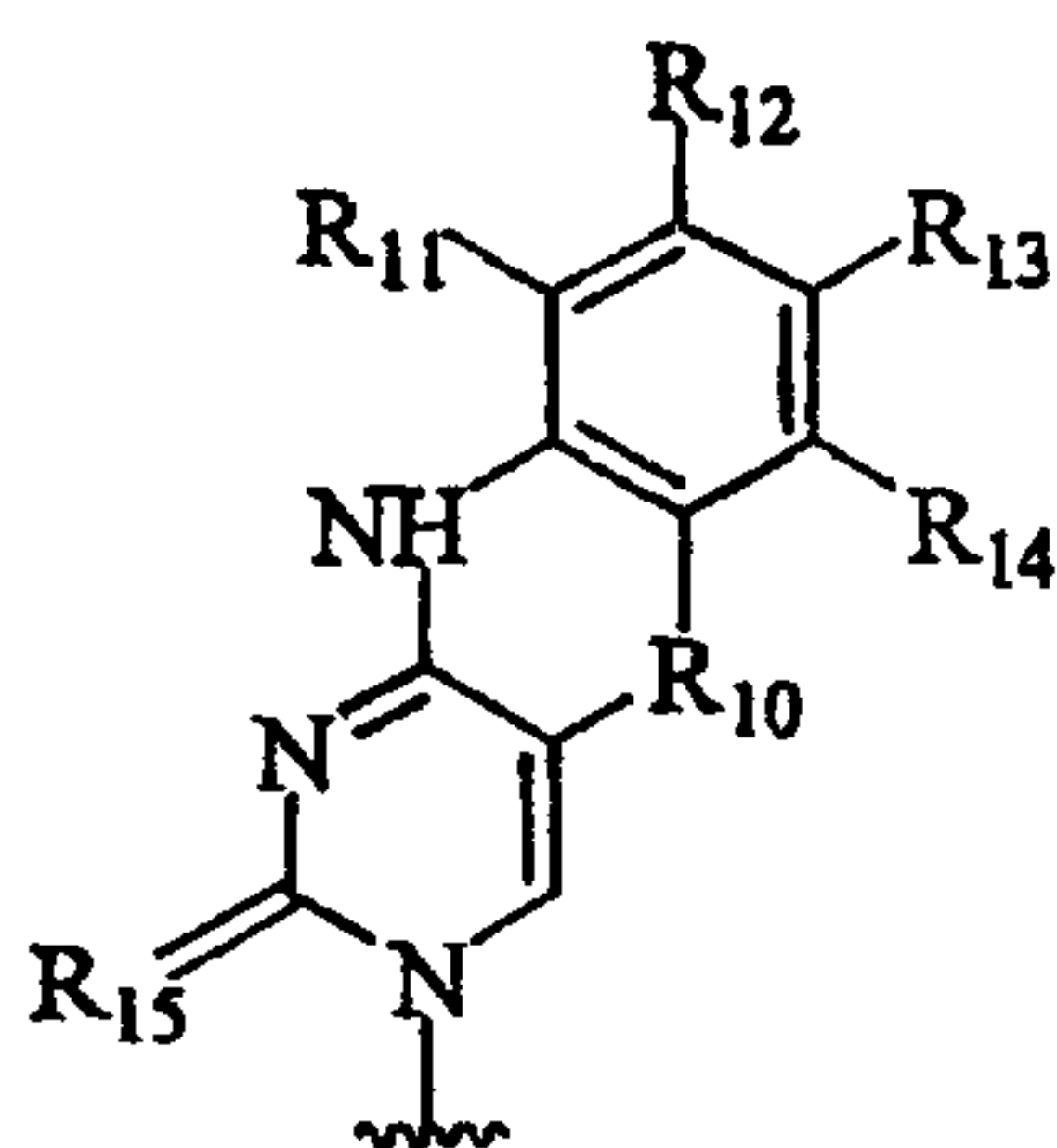
10 Modified Nucleobases/Naturally occurring nucleobases

Oligomeric compounds may also include nucleobase (often referred to in the art simply as "base" or "heterocyclic base moiety") modifications or substitutions. As used herein, "unmodified" or "natural" nucleobases include the purine bases adenine (A) and guanine (G), and the pyrimidine bases thymine (T), cytosine (C) and uracil (U). Modified nucleobases also referred herein as heterocyclic base moieties include other synthetic and natural nucleobases such as 5-methylcytosine (5-me-C), 5-hydroxymethyl cytosine, xanthine, hypoxanthine, 2-aminoadenine, 6-methyl and other alkyl derivatives of adenine and guanine, 2-propyl and other alkyl derivatives of adenine and guanine, 2-thiouracil, 2-thiothymine and 2-thiocytosine, 5-halouracil and cytosine, 5-propynyl ($-C\equiv C-CH_3$) uracil and cytosine and other alkynyl derivatives of pyrimidine bases, 6-azo uracil, cytosine and thymine, 5-uracil (pseudouracil), 4-thiouracil, 8-halo, 8-amino, 8-thiol, 8-thioalkyl, 8-hydroxyl and other 8-substituted adenines and guanines, 5-halo particularly 5-bromo, 5-trifluoromethyl and other 5-substituted uracils and cytosines, 7-methylguanine and 7-methyladenine, 2-F-adenine, 2-amino-adenine, 8-azaguanine and 8-azaadenine, 7-deazaguanine and 7-deazaadenine and 3-deazaguanine and 3-deazaadenine.

Heterocyclic base moieties may also include those in which the purine or pyrimidine base is replaced with other heterocycles, for example 7-deaza-adenine, 7-deazaguanosine, 2-aminopyridine and 2-pyridone. Further nucleobases include those disclosed in United States Patent No. 3,687,808, those disclosed in *The Concise Encyclopedia Of Polymer Science And Engineering*, pages 858-859, Kroschwitz, J.I., ed. John Wiley & Sons, 1990, those disclosed by Englisch et al., *Angewandte Chemie*, International Edition, 1991, 30, 613, and those disclosed by Sanghvi, Y.S., Chapter 15, *Antisense Research and Applications*, pages 289-302, Crooke, S.T. and Lebleu, B., ed., CRC Press, 1993. Certain of these nucleobases are particularly useful for increasing the binding affinity of the oligomeric compounds of the invention. These include 5-

substituted pyrimidines, 6-azapyrimidines and N-2, N-6 and O-6 substituted purines, including 2-aminopropyladenine, 5-propynyluracil and 5-propynylcytosine. 5-methylcytosine substitutions have been shown to increase nucleic acid duplex stability by 0.6-1.2°C (Sanghvi, Y.S., Crooke, S.T. and Lebleu, B., eds., *Antisense Research and Applications*, CRC Press, Boca Raton, 1993, pp. 276-278) and are presently suitable base substitutions, even more particularly when combined with 2'-O-methoxyethyl sugar modifications.

Oligomeric compounds of the present invention can also include polycyclic heterocyclic compounds in place of one or more heterocyclic base moieties. A number of tricyclic heterocyclic compounds have been previously reported. These compounds are routinely used in antisense applications to increase the binding properties of the modified strand to a target strand. The most studied modifications are targeted to guanosines hence they have been termed G-clamps or cytidine analogs. Many of these polycyclic heterocyclic compounds have the general formula:



Representative cytosine analogs that make 3 hydrogen bonds with a guanosine in a second strand include 1,3-diazaphenoxazine-2-one ($R_{10} = O$, $R_{11} - R_{14} = H$) (Kurchavov, *et al.*, *Nucleosides and Nucleotides*, 1997, 16, 1837-1846), 1,3-diazaphenothiazine-2-one ($R_{10} = S$, $R_{11} - R_{14} = H$), (Lin, K.-Y.; Jones, R. J.; Matteucci, M. J. *Am. Chem. Soc.* 1995, 117, 3873-3874) and 6,7,8,9-tetrafluoro-1,3-diazaphenoxazine-2-one ($R_{10} = O$, $R_{11} - R_{14} = F$) (Wang, J.; Lin, K.-Y., Matteucci, M. *Tetrahedron Lett.* 1998, 39, 8385-8388). Incorporated into oligonucleotides these base modifications were shown to hybridize with complementary guanine and the latter was also shown to hybridize with adenine and to enhance helical thermal stability by extended stacking interactions (also see U.S. Patent Application entitled "Modified Peptide Nucleic Acids" filed May 24, 2002, Publication number 2003-0207804; and U.S. Patent Application entitled "Nuclease Resistant Chimeric Oligonucleotides" filed May 24, 2002, Publication number 2003-0175906).

Further helix-stabilizing properties have been observed when a cytosine analog/substitute has an aminoethoxy moiety attached to the rigid 1,3-diazaphenoxazine-2-one

scaffold ($R_{10} = O$, $R_{11} = -O-(CH_2)_2-NH_2$, $R_{12-14} = H$) (Lin, K.-Y.; Matteucci, M. J. Am. Chem. Soc. 1998, 120, 8531-8532). Binding studies demonstrated that a single incorporation could enhance the binding affinity of a model oligonucleotide to its complementary target DNA or RNA with a ΔT_m of up to 18° relative to 5-methyl cytosine ($dC5^{mc}$), which is the highest known
5 affinity enhancement for a single modification, yet. On the other hand, the gain in helical stability does not compromise the specificity of the oligonucleotides. The T_m data indicate an even greater discrimination between the perfect match and mismatched sequences compared to $dC5^{mc}$. It was suggested that the tethered amino group serves as an additional hydrogen bond donor to interact with the Hoogsteen face, namely the O6, of a complementary guanine thereby
10 forming 4 hydrogen bonds. This means that the increased affinity of G-clamp is mediated by the combination of extended base stacking and additional specific hydrogen bonding.

Further tricyclic heterocyclic compounds and methods of using them that are amenable to the present invention are disclosed in United States Patent 6,028,183 and United States Patent 6,007,992.

15 The enhanced binding affinity of the phenoxazine derivatives together with their uncompromised sequence specificity makes them valuable nucleobase analogs for the development of more potent antisense-based drugs. In fact, promising data have been derived from *in vitro* experiments demonstrating that heptanucleotides containing phenoxazine substitutions are capable to activate RNaseH, enhance cellular uptake and exhibit an increased
20 antisense activity (Lin, K.-Y.; Matteucci, M. J. Am. Chem. Soc. 1998, 120, 8531-8532). The activity enhancement was even more pronounced in case of G-clamp, as a single substitution was shown to significantly improve the *in vitro* potency of a 20mer 2'-deoxyphosphorothioate oligonucleotides (Flanagan, W. M.; Wolf, J.J.; Olson, P.; Grant, D.; Lin, K.-Y.; Wagner, R. W.;
25 Matteucci, M. Proc. Natl. Acad. Sci. USA, 1999, 96, 3513-3518). Nevertheless, to optimize oligonucleotide design and to better understand the impact of these heterocyclic modifications on the biological activity, it is important to evaluate their effect on the nuclease stability of the oligomers.

Further modified polycyclic heterocyclic compounds useful as heterocyclic bases are disclosed in but not limited to, the above noted U.S. 3,687,808, as well as U.S.: 4,845,205;
30 5,130,302; 5,134,066; 5,175,273; 5,367,066; 5,432,272; 5,434,257; 5,457,187; 5,459,255; 5,484,908; 5,502,177; 5,525,711; 5,552,540; 5,587,469; 5,594,121, 5,596,091; 5,614,617; 5,645,985; 5,646,269; 5,750,692; 5,830,653; 5,763,588; 6,005,096; and 5,681,941, and Unites

States Publication No. 2003-0158403 filed November 28, 2001.

Conjugates

Oligomeric compounds used in the compositions of the present invention can also be
5 modified to have one or more moieties or conjugates for enhancing the activity, cellular
distribution or cellular uptake of the resulting oligomeric compounds. In one embodiment such
modified oligomeric compounds are prepared by covalently attaching conjugate groups to
functional groups such as hydroxyl or amino groups. Conjugate groups of the invention include
intercalators, reporter molecules, polyamines, polyamides, polyethylene glycols, polyethers,
10 groups that enhance the pharmacodynamic properties of oligomers, and groups that enhance the
pharmacokinetic properties of oligomers. Typical conjugate groups include cholesterols, lipids,
phospholipids, biotin, phenazine, folate, phenanthridine, anthraquinone, acridine, fluoresceins,
rhodamines, coumarins, and dyes such as including Cy3 and Alexa. Groups that enhance the
pharmacodynamic properties, in the context of this invention, include groups that improve
15 oligomer uptake, enhance oligomer resistance to degradation, and/or strengthen sequence-
specific hybridization with RNA. Groups that enhance the pharmacokinetic properties, in the
context of this invention, include groups that improve oligomer uptake, distribution, metabolism
or excretion. Representative conjugate groups are disclosed in International Patent Application
PCT/US92/09196, filed October 23, 1992.

20

Conjugate moieties include but are not limited to lipid moieties such as a cholesterol
moiety (Letsinger et al., *Proc. Natl. Acad. Sci. USA*, 1989, 86, 6553-6556), cholic acid
(Manoharan et al., *Bioorg. Med. Chem. Lett.*, 1994, 4, 1053-1060), a thioether, e.g., hexyl-S-
tritylthiol (Manoharan et al., *Ann. N.Y. Acad. Sci.*, 1992, 660, 306-309; Manoharan et al., *Bioorg.*
25 *Med. Chem. Lett.*, 1993, 3, 2765-2770), a thiocholesterol (Oberhauser et al., *Nucl. Acids Res.*,
1992, 20, 533-538), an aliphatic chain, e.g., dodecandiol or undecyl residues (Saison-Behmoaras
et al., *EMBO J.*, 1991, 10, 1111-1118; Kabanov et al., *FEBS Lett.*, 1990, 259, 327-330;
Svinarchuk et al., *Biochimie*, 1993, 75, 49-54), a phospholipid, e.g., di-hexadecyl-rac-glycerol or
triethylammonium 1,2-di-O-hexadecyl-rac-glycero-3-H-phosphonate (Manoharan et al.,
30 *Tetrahedron Lett.*, 1995, 36, 3651-3654; Shea et al., *Nucl. Acids Res.*, 1990, 18, 3777-3783), a
polyamine or a polyethylene glycol chain (Manoharan et al., *Nucleosides & Nucleotides*, 1995,
14, 969-973), or adamantane acetic acid (Manoharan et al., *Tetrahedron Lett.*, 1995, 36, 3651-
3654), a palmityl moiety (Mishra et al., *Biochim. Biophys. Acta*, 1995, 1264, 229-237), or an

octadecylamine or hexylamino-carbonyl-oxysterol moiety (Crooke et al., *J. Pharmacol. Exp. Ther.*, 1996, 277, 923-937).

The oligomeric compounds of the invention may also be conjugated to active drug substances, for example, aspirin, warfarin, phenylbutazone, ibuprofen, suprofen, fenbufen, ketoprofen, (S)-(+)-pranoprofen, carprofen, dansylsarcosine, 2,3,5-triiodobenzoic acid, flufenamic acid, folic acid, a benzothiadiazide, chlorothiazide, a diazepam, indomethacin, a barbiturate, a cephalosporin, a sulfa drug, an antidiabetic, an antibacterial or an antibiotic. Oligonucleotide-drug conjugates and their preparation are described in United States Patent Patent No. 6,656,730 (filed June 15, 1999).

10

Representative United States patents that teach the preparation of such oligonucleotide conjugates include, but are not limited to, U.S.: 4,828,979; 4,948,882; 5,218,105; 5,525,465; 5,541,313; 5,545,730; 5,552,538; 5,578,717; 5,580,731; 5,580,731; 5,591,584; 5,109,124; 5,118,802; 5,138,045; 5,414,077; 5,486,603; 5,512,439; 5,578,718; 5,608,046; 4,587,044; 4,605,735; 4,667,025; 4,762,779; 4,789,737; 4,824,941; 4,835,263; 4,876,335; 4,904,582; 4,958,013; 5,082,830; 5,112,963; 5,214,136; 5,082,830; 5,112,963; 5,214,136; 5,245,022; 5,254,469; 5,258,506; 5,262,536; 5,272,250; 5,292,873; 5,317,098; 5,371,241; 5,391,723; 5,416,203; 5,451,463; 5,510,475; 5,512,667; 5,514,785; 5,565,552; 5,567,810; 5,574,142; 5,585,481; 5,587,371; 5,595,726; 5,597,696; 5,599,923; 5,599,928 and 5,688,941.

20

Oligomeric compounds used in the compositions of the present invention can also be modified to have one or more stabilizing groups that are generally attached to one or both termini of single-stranded oligomeric compounds or to one or more of the 3' or 5' termini of either strand of a double-stranded compound to enhance properties such as for example nuclease stability. Included in stabilizing groups are cap structures. By "cap structure or terminal cap moiety" is meant chemical modifications, which have been incorporated at either terminus of oligonucleotides (see for example Wincott et al., WO 97/26270).

25

These terminal modifications protect the oligomeric compounds having terminal nucleic acid molecules from exonuclease degradation, and can help in delivery and/or localization within a cell. The cap can be present at the 5'-terminus (5'-cap) or at the 3'-terminus (3'-cap) or can be present on both termini. This cap structure is not to be confused with the inverted methylguanosine "5' cap" present at the 5' end of native mRNA molecules. In non-limiting examples, the 5'-cap includes inverted abasic residue (moiety), 4',5'-methylene nucleotide; 1-

30

(beta-D-erythrofuransyl) nucleotide, 4'-thio nucleotide, carbocyclic nucleotide; 1,5-anhydrohexitol nucleotide; L-nucleotides; alpha-nucleotides; modified base nucleotide; phosphorodithioate linkage; threo-pentofuransyl nucleotide; acyclic 3',4'-seco nucleotide; acyclic 3,4-dihydroxybutyl nucleotide; acyclic 3,5-dihydroxypentyl nucleotide, 3'-3'-inverted nucleotide moiety; 3'-3'-inverted abasic moiety; 3'-2'-inverted nucleotide moiety; 3'-2'-inverted abasic moiety; 1,4-butanediol phosphate; 3'-phosphoramidate; hexylphosphate; aminohexyl phosphate; 3'-phosphate; 3'-phosphorothioate; phosphorodithioate; or bridging or non-bridging methylphosphonate moiety (for more details see Wincott et al., International PCT publication No. WO 97/26270).

3'-cap structures of the present invention include, for example 4',5'-methylene nucleotide; 1-(beta-D-erythrofuransyl) nucleotide; 4'-thio nucleotide, carbocyclic nucleotide; 5'-amino-alkyl phosphate; 1,3-diamino-2-propyl phosphate, 3-aminopropyl phosphate; 6-aminohexyl phosphate; 1,2-aminododecyl phosphate; hydroxypropyl phosphate; 1,5-anhydrohexitol nucleotide; L-nucleotide; alpha-nucleotide; modified base nucleotide; phosphorodithioate; threo-pentofuransyl nucleotide; acyclic 3',4'-seco nucleotide; 3,4-dihydroxybutyl nucleotide; 3,5-dihydroxypentyl nucleotide, 5'-5'-inverted nucleotide moiety; 5'-5'-inverted abasic moiety; 5'-phosphoramidate; 5'-phosphorothioate; 1,4-butanediol phosphate; 5'-amino; bridging and/or non-bridging 5'-phosphoramidate, phosphorothioate and/or phosphorodithioate, bridging or non-bridging methylphosphonate and 5'-mercapto moieties (for more details see Beaucage and Tyer, 1993, Tetrahedron 49, 1925; incorporated by reference herein).

Further 3' and 5'-stabilizing groups that can be used to cap one or both ends of an oligomeric compound to impart nuclease stability include those disclosed in WO 03/004602 published on January 16, 2003.

3'-Endo Modifications

The terms used to describe the conformational geometry of homoduplex nucleic acids are "A Form" for RNA and "B Form" for DNA. The respective conformational geometry for RNA and DNA duplexes was determined from X-ray diffraction analysis of nucleic acid fibers (Arnott and Hukins, *Biochem. Biophys. Res. Comm.*, 1970, 47, 1504.) In general, RNA:RNA duplexes are more stable and have higher melting temperatures (T_m 's) than DNA:DNA duplexes (Sanger et al., *Principles of Nucleic Acid Structure*, 1984, Springer-Verlag; New York, NY.; Lesnik et al., *Biochemistry*, 1995, 34, 10807-10815; Conte et al., *Nucleic Acids Res.*, 1997, 25, 2627-2634). The increased stability of RNA has been attributed to several structural features, most notably the improved base stacking interactions that result from an A-form geometry

(Searle et al., *Nucleic Acids Res.*, 1993, 21, 2051-2056). The presence of the 2' hydroxyl in RNA biases the sugar toward a C3' endo pucker, i.e., also designated as Northern pucker, which causes the duplex to favor the A-form geometry. In addition, the 2' hydroxyl groups of RNA can form a network of water mediated hydrogen bonds that help stabilize the RNA duplex (Egli et al., *Biochemistry*, 1996, 35, 8489-8494). On the other hand, deoxy nucleic acids prefer a C2' endo sugar pucker, i.e., also known as Southern pucker, which is thought to impart a less stable B-form geometry (Sanger, W. (1984) *Principles of Nucleic Acid Structure*, Springer-Verlag, New York, NY). As used herein, B-form geometry is inclusive of both C2'-endo pucker and O4'-endo pucker. This is consistent with Berger, et al., *Nucleic Acids Research*, 1998, 26, 2473-2480, who pointed out that in considering the furanose conformations which give rise to B-form duplexes consideration should also be given to a O4'-endo pucker contribution.

DNA:RNA hybrid duplexes, however, are usually less stable than pure RNA:RNA duplexes, and depending on their sequence may be either more or less stable than DNA:DNA duplexes (Searle et al., *Nucleic Acids Res.*, 1993, 21, 2051-2056). The structure of a hybrid duplex is intermediate between A- and B-form geometries, which may result in poor stacking interactions (Lane et al., *Eur. J. Biochem.*, 1993, 215, 297-306; Fedoroff et al., *J. Mol. Biol.*, 1993, 233, 509-523; Gonzalez et al., *Biochemistry*, 1995, 34, 4969-4982; Horton et al., *J. Mol. Biol.*, 1996, 264, 521-533). The stability of the duplex formed between a target RNA and a synthetic sequence is central to therapies such as but not limited to antisense mechanisms including RNase H, RNAi or any mechanisms that require the binding of a oligomeric compound to an RNA target strand. In the case of antisense, effective inhibition of the mRNA requires that the antisense compound have a sufficiently high binding affinity with the mRNA. Otherwise the desired interaction between the oligomeric antisense compound and target mRNA strand will occur infrequently, resulting in decreased efficacy.

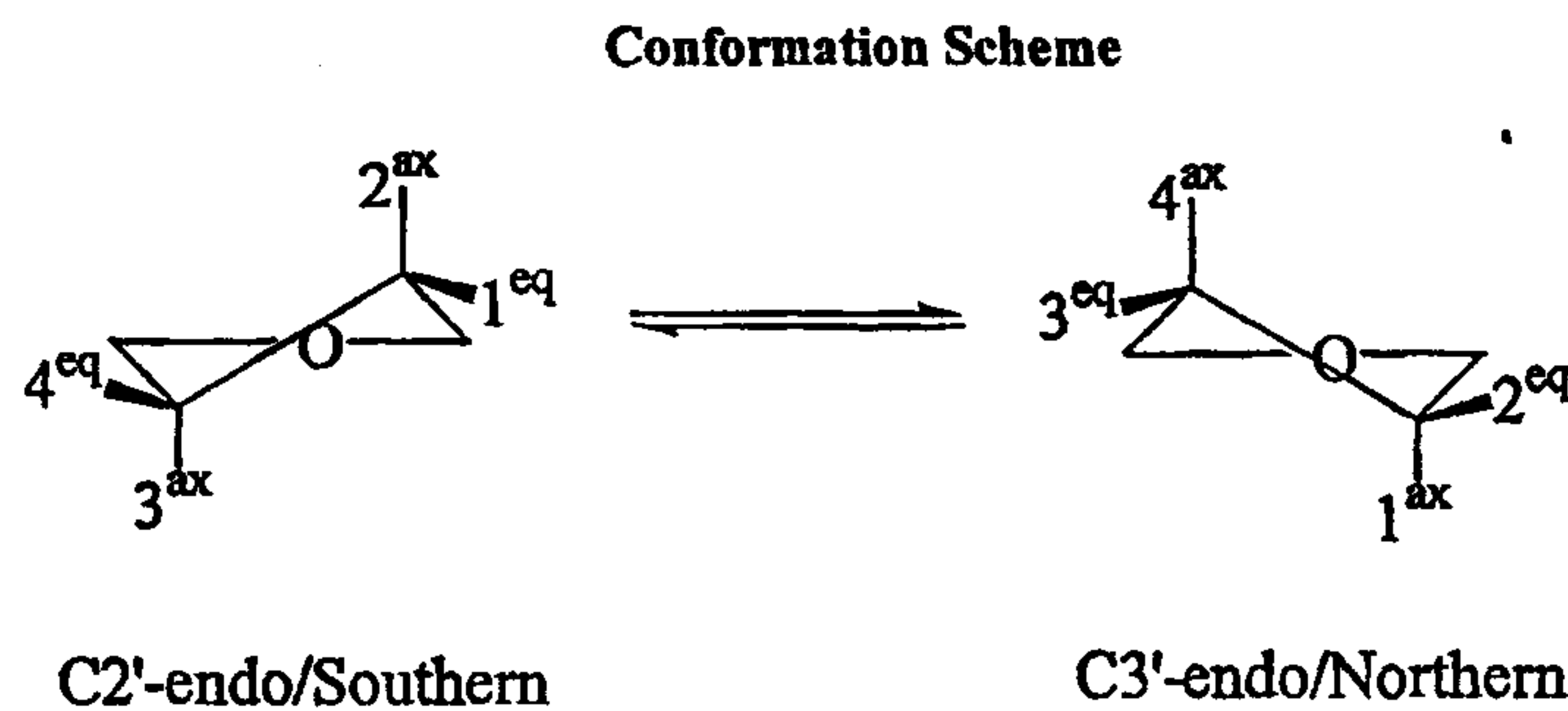
One routinely used method of modifying the sugar puckering is the substitution of the sugar at the 2'-position with a substituent group that influences the sugar geometry. The influence on ring conformation is dependant on the nature of the substituent at the 2'-position. A number of different substituents have been studied to determine their sugar puckering effect. For example, 2'-halogens have been studied showing that the 2'-fluoro derivative exhibits the largest population (65%) of the C3'-endo form, and the 2'-iodo exhibits the lowest population (7%). The populations of adenosine (2'-OH) versus deoxyadenosine (2'-H) are 36% and 19%, respectively. Furthermore, the effect of the 2'-fluoro group of adenosine dimers (2'-deoxy-2'-fluoroadenosine -

2'-deoxy-2'-fluoro-adenosine) is further correlated to the stabilization of the stacked conformation.

As expected, the relative duplex stability can be enhanced by replacement of 2'-OH groups with 2'-F groups thereby increasing the C3'-endo population. It is assumed that the highly polar nature of the 2'-F bond and the extreme preference for C3'-endo puckering may stabilize the stacked conformation in an A-form duplex. Data from UV hypochromicity, circular dichroism, and ¹H NMR also indicate that the degree of stacking decreases as the electronegativity of the halo substituent decreases. Furthermore, steric bulk at the 2'-position of the sugar moiety is better accommodated in an A-form duplex than a B-form duplex. Thus, a 2'-substituent on the 3'-terminus of a dinucleoside monophosphate is thought to exert a number of effects on the stacking conformation: steric repulsion, furanose puckering preference, electrostatic repulsion, hydrophobic attraction, and hydrogen bonding capabilities. These substituent effects are thought to be determined by the molecular size, electronegativity, and hydrophobicity of the substituent. Melting temperatures of complementary strands is also increased with the 2'-substituted adenosine diphosphates. It is not clear whether the 3'-endo preference of the conformation or the presence of the substituent is responsible for the increased binding. However, greater overlap of adjacent bases (stacking) can be achieved with the 3'-endo conformation.

In one aspect of the present invention oligomeric compounds include nucleosides synthetically modified to induce a 3'-endo sugar conformation. A nucleoside can incorporate synthetic modifications of the heterocyclic base, the sugar moiety or both to induce a desired 3'-endo sugar conformation. These modified nucleosides are used to mimic RNA-like nucleosides so that particular properties of an oligomeric compound can be enhanced while maintaining the desirable 3'-endo conformational geometry. There is an apparent preference for an RNA type duplex (A form helix, predominantly 3'-endo) as a requirement (e.g. trigger) of the RNA interference machinery which is supported in part by the fact that duplexes composed of 2'-deoxy-2'-F-nucleosides appear efficient in triggering an RNAi response in the *C. elegans* system. Properties that are enhanced by using more stable 3'-endo nucleosides include, but aren't limited to, modulation of pharmacokinetic properties through modification of protein binding, protein off-rate, absorption and clearance; modulation of nuclease stability as well as chemical stability; modulation of the binding affinity and specificity of the oligomer (affinity and specificity for enzymes as well as for complementary sequences); and increasing efficacy of RNA cleavage. The present invention provides oligomeric compounds that can act as triggers of the RNAi

pathway having one or more nucleosides modified in such a way as to favor a C3'-endo type conformation.



5

Nucleoside conformation is influenced by various factors including substitution at the 2', 3' or 4'-positions of the pentofuranosyl sugar. Electronegative substituents generally prefer the axial positions, while sterically demanding substituents generally prefer the equatorial positions (Principles of Nucleic Acid Structure, Wolfgang Sanger, 1984, Springer-Verlag.) Modification of the 2' position to favor the 3'-endo conformation can be achieved while maintaining the 2'-OH as a recognition element (Gallo et al., *Tetrahedron* (2001), 57, 5707-5713. Harry-O'kuru et al., *J. Org. Chem.*, (1997), 62(6), 1754-1759 and Tang et al., *J. Org. Chem.* (1999), 64, 747-754).

15

Alternatively, preference for the 3'-endo conformation can be achieved by deletion of the 2'-OH as exemplified by 2'-deoxy-2'-F-nucleosides (Kawasaki et al., *J. Med. Chem.* (1993), 36, 831-841), which adopts the 3'-endo conformation positioning the electronegative fluorine atom in the axial position. Other modifications of the ribose ring, for example substitution at the 4'-position to give 4'-F modified nucleosides (Guillerm et al., *Bioorganic and Medicinal Chemistry Letters* (1995), 5, 1455-1460 and Owen et al., *J. Org. Chem.* (1976), 41, 3010-3017), or for example modification to yield methanocarba nucleoside analogs (Jacobson et al., *J. Med. Chem. Lett.* (2000), 43, 2196-2203 and Lee et al., *Bioorganic and Medicinal Chemistry Letters* (2001), 11, 1333-1337) also induce preference for the 3'-endo conformation. Along similar lines, oligomeric compounds which trigger an RNAi response might be composed of one or more nucleosides modified in such a way that conformation is locked into a C3'-endo type conformation, i.e. Locked Nucleic Acid (LNA, Singh et al, *Chem. Commun.* (1998), 4, 455-456), and ethylene bridged Nucleic Acids (ENATM, Morita et al, *Bioorganic & Medicinal Chemistry Letters* (2002), 12, 73-76.)

20

25

30

The preferred conformation of modified nucleosides and their oligomers can be estimated by various methods such as molecular dynamics calculations, nuclear magnetic

resonance spectroscopy and CD measurements. Hence, modifications predicted to induce RNA-like conformations, A-form duplex geometry in an oligomeric context, are selected for use in the modified oligonucleotides of the present invention. The synthesis of numerous of the modified nucleosides amenable to the present invention are known in the art (see for example, Chemistry of Nucleosides and Nucleotides Vol 1-3, ed. Leroy B. Townsend, 1988, Plenum press., and the examples section below.)

In one aspect, the present invention is directed to oligomeric compounds that are prepared having enhanced properties, compared to native RNA, against nucleic acid targets. In designing enhanced oligomeric compounds, a target is identified and an oligomeric compound is selected having an effective length and sequence that is complementary to a portion of the target sequence. Each nucleoside of the selected sequence is scrutinized for possible enhancing modifications. One modification would be the replacement of one or more RNA nucleosides with nucleosides that have the same 3'-endo conformational geometry but, in addition, an enhancing property. Such modifications can enhance chemical and nuclease stability relative to native RNA while at the same time being much cheaper and easier to synthesize and/or incorporate into an oligonucleotide. The selected oligomeric compound sequence can be further divided into regions and the nucleosides of each region evaluated for enhancing modifications that can be the result of a chimeric configuration. Consideration is also given to the 5' and 3'-termini as there are often advantageous modifications that can be made to one or more of the terminal nucleosides. The oligomeric compounds of the present invention may include at least one 5'-modified phosphate group on a single strand or on at least one 5'-position phosphate of a double-stranded sequence or sequences. Further modifications are also considered such as internucleoside linkages, conjugate groups, substitute sugars or bases, substitution of one or more nucleosides with nucleoside mimetics and any other modification that can enhance the affinity of the selected sequence for its intended target.

One synthetic 2'-modification that imparts increased nuclease resistance and a very high binding affinity to nucleotides is the 2-methoxyethoxy (2'-MOE, 2'-OCH₂CH₂OCH₃) side chain (Baker *et al.*, *J. Biol. Chem.*, 1997, 272, 11944-12000). One of the immediate advantages of the 2'-MOE substitution is the improvement in binding affinity, which is greater than many similar 2' modifications such as *O*-methyl, *O*-propyl, and *O*-aminopropyl. Oligomers having the 2'-*O*-methoxyethyl substituent also have been shown to be antisense inhibitors of gene expression with promising features for *in vivo* use (Martin, P., *Helv. Chim. Acta*, 1995, 78, 486-504; Altmann *et al.*, *Chimia*, 1996, 50, 168-176; Altmann *et al.*, *Biochem. Soc. Trans.*, 1996, 24, 630-

637; and Altmann *et al.*, *Nucleosides Nucleotides*, 1997, 16, 917-926). Relative to DNA, the oligomers having the 2'-MOE modification displayed improved RNA affinity and higher nuclease resistance. Chimeric oligomers having 2'-MOE substituents in the wing nucleosides and an internal region of deoxy-phosphorothioate nucleotides (also termed a gapped oligomer or gapmer) have shown effective reduction in the growth of tumors in animal models at low doses. 2'-MOE substituted oligomers have also shown outstanding promise as antisense compounds in several disease states. One such MOE substituted oligomer is approved for the treatment of CMV retinitis.

Most of the 2'-MOE substituents display a *gauche* conformation around the C-C bond of the ethyl linker. However, in two cases, a *trans* conformation around the C-C bond is observed. The lattice interactions in the crystal include packing of duplexes against each other via their minor grooves. Therefore, for some residues, the conformation of the 2'-O-substituent is affected by contacts to an adjacent duplex. In general, variations in the conformation of the substituents (*e.g.* g^+ or g^- around the C-C bonds) create a range of interactions between substituents, both inter-strand, across the minor groove, and intra-strand. At one location, atoms of substituents from two residues are in van der Waals contact across the minor groove. Similarly, a close contact occurs between atoms of substituents from two adjacent intra-strand residues.

Previously determined crystal structures of A-DNA duplexes were for those that incorporated isolated 2'-O-methyl T residues. In the crystal structure noted above for the 2'-MOE substituents, a conserved hydration pattern has been observed for the 2'-MOE residues. A single water molecule is seen located between O2', O3' and the methoxy oxygen atom of the substituent, forming contacts to all three of between 2.9 and 3.4 Å. In addition, oxygen atoms of substituents are involved in several other hydrogen bonding contacts. For example, the methoxy oxygen atom of a particular 2'-O-substituent forms a hydrogen bond to N3 of an adenosine from the opposite strand via a bridging water molecule.

In several cases a water molecule is trapped between the oxygen atoms O2', O3' and OC' of modified nucleosides. 2'-MOE substituents with *trans* conformation around the C-C bond of the ethylene glycol linker are associated with close contacts between OC' and N2 of a guanosine from the opposite strand, and, water-mediated, between OC' and N3(G). When combined with the available thermodynamic data for duplexes containing 2'-MOE modified strands, this crystal structure allows for further detailed structure-stability analysis of other modifications.

In extending the crystallographic structure studies, molecular modeling experiments were performed to study further enhanced binding affinity of oligonucleotides having 2'-O-modifications. The computer simulations were conducted on compounds of SEQ ID NO: 10, above, having 2'-O-modifications located at each of the nucleosides of the oligonucleotide. The
5 simulations were performed with the oligonucleotide in aqueous solution using the AMBER force field method (Cornell *et al.*, *J. Am. Chem. Soc.*, 1995, 117, 5179-5197)(modeling software package from UCSF, San Francisco, CA). The calculations were performed on an Indigo2 SGI machine (Silicon Graphics, Mountain View, CA).

Another 2'-sugar substituent group that gives a 3'-endo sugar conformational geometry
10 is the 2'-OMe group. 2'-Substitution of guanosine, cytidine, and uridine dinucleoside phosphates with the 2'-OMe group showed enhanced stacking effects with respect to the corresponding native (2'-OH) species leading to the conclusion that the sugar is adopting a C3'-endo conformation. In this case, it is believed that the hydrophobic attractive forces of the methyl
15 group tend to overcome the destabilizing effects of its steric bulk.

The ability of oligonucleotides to bind to their complementary target strands is
15 compared by determining the melting temperature (T_m) of the hybridization complex of the oligonucleotide and its complementary strand. The melting temperature (T_m), a characteristic physical property of double helices, denotes the temperature (in degrees centigrade) at which
20 50% helical (hybridized) versus coil (unhybridized) forms are present. T_m is measured by using the UV spectrum to determine the formation and breakdown (melting) of the hybridization complex. Base stacking, which occurs during hybridization, is accompanied by a reduction in
25 UV absorption (hypochromicity). Consequently, a reduction in UV absorption indicates a higher T_m . The higher the T_m , the greater the strength of the bonds between the strands.

Freier and Altmann, *Nucleic Acids Research*, (1997) 25:4429-4443, have previously
25 published a study on the influence of structural modifications of oligonucleotides on the stability of their duplexes with target RNA. In this study, the authors reviewed a series of oligonucleotides containing more than 200 different modifications that had been synthesized and assessed for their hybridization affinity and T_m . Sugar modifications studied included
30 substitutions on the 2'-position of the sugar, 3'-substitution, replacement of the 4'-oxygen, the use of bicyclic sugars, and four member ring replacements. Several nucleobase modifications were also studied including substitutions at the 5, or 6 position of thymine, modifications of
pyrimidine heterocycle and modifications of the purine heterocycle. Modified internucleoside

linkages were also studied including neutral, phosphorus and non-phosphorus containing internucleoside linkages.

Increasing the percentage of C3'-endo sugars in a modified oligonucleotide targeted to an RNA target strand should preorganize this strand for binding to RNA. Of the several sugar
5 modifications that have been reported and studied in the literature, the incorporation of electronegative substituents such as 2'-fluoro or 2'-alkoxy shift the sugar conformation towards the 3' endo (northern) pucker conformation. This preorganizes an oligonucleotide that incorporates such modifications to have an A-form conformational geometry. This A-form conformation results in increased binding affinity of the oligonucleotide to a target RNA strand.

10 In addition, for 2'-substituents containing an ethylene glycol motif, a *gauche* interaction between the oxygen atoms around the O-C-C-O torsion of the side chain may have a stabilizing effect on the duplex (Freier *ibid.*). Such *gauche* interactions have been observed experimentally for a number of years (Wolfe *et al.*, *Acc. Chem. Res.*, 1972, 5, 102; Abe *et al.*, *J. Am. Chem. Soc.*, 1976, 98, 468). This *gauche* effect may result in a configuration of the side chain that is
15 favorable for duplex formation. The exact nature of this stabilizing configuration has not yet been explained. While we do not want to be bound by theory, it may be that holding the O-C-C-O torsion in a single *gauche* configuration, rather than a more random distribution seen in an alkyl side chain, provides an entropic advantage for duplex formation.

Representative 2'-substituent groups amenable to the present invention that give A-form
20 conformational properties (3'-endo) to the resultant duplexes include 2'-O-alkyl, 2'-O-substituted alkyl and 2'-fluoro substituent groups. Suitable for the substituent groups are various alkyl and aryl ethers and thioethers, amines and monoalkyl and dialkyl substituted amines. It is further intended that multiple modifications can be made to one or more of the oligomeric compounds of the invention at multiple sites of one or more monomeric subunits (nucleosides are suitable) and
25 or internucleoside linkages to enhance properties such as but not limited to activity in a selected application

Ring structures of the invention for inclusion as a 2'-O modification include cyclohexyl, cyclopentyl and phenyl rings as well as heterocyclic rings having spacial footprints similar to cyclohexyl, cyclopentyl and phenyl rings. 2'-O-substituent groups of the invention included but
30 are not limited to 2'-O-(trans 2-methoxy cyclohexyl), 2'-O-(trans 2-methoxy cyclopentyl), 2'-O-(trans 2-ureido cyclohexyl) and 2'-O-(trans 2-methoxyphenyl).

Chemistries Defined

Unless otherwise defined herein, alkyl means C₁-C₁₂, C₁-C₈, or C₁-C₆, straight or (where possible) branched chain aliphatic hydrocarbyl.

Unless otherwise defined herein, heteroalkyl means C₁-C₁₂, C₁-C₈, or C₁-C₆, straight or (where possible) branched chain aliphatic hydrocarbyl containing at least one, or about 1 to about 3, hetero atoms in the chain, including the terminal portion of the chain. Heteroatoms include N, O and S.

Unless otherwise defined herein, cycloalkyl means C₃-C₁₂, C₃-C₈, or C₃-C₆, aliphatic hydrocarbyl ring.

Unless otherwise defined herein, alkenyl means C₂-C₁₂, C₂-C₈, or C₂-C₆ alkenyl, which may be straight or (where possible) branched hydrocarbyl moiety, which contains at least one carbon-carbon double bond.

Unless otherwise defined herein, alkynyl means C₂-C₁₂, C₂-C₈, or C₂-C₆ alkynyl, which may be straight or (where possible) branched hydrocarbyl moiety, which contains at least one carbon-carbon triple bond.

Unless otherwise defined herein, heterocycloalkyl means a ring moiety containing at least three ring members, at least one of which is carbon, and of which 1, 2 or three ring members are other than carbon. The number of carbon atoms can vary from 1 to about 12, from 1 to about 6, and the total number of ring members can vary from three to about 15, or from about 3 to about 8. Ring heteroatoms are N, O and S. Heterocycloalkyl groups include morpholino, thiomorpholino, piperidinyl, piperazinyl, homopiperidinyl, homopiperazinyl, homomorpholino, homothiomorpholino, pyrrolidinyl, tetrahydrooxazolyl, tetrahydroimidazolyl, tetrahydrothiazolyl, tetrahydroisoxazolyl, tetrahydropyrazolyl, furanyl, pyranal, and tetrahydroisothiazolyl.

Unless otherwise defined herein, aryl means any hydrocarbon ring structure containing at least one aryl ring. Aryl rings have about 6 to about 20 ring carbons. Aryl rings also include phenyl, naphthyl, anthracenyl, and phenanthrenyl.

Unless otherwise defined herein, hetaryl means a ring moiety containing at least one fully unsaturated ring, the ring consisting of carbon and non-carbon atoms. The ring system can contain about 1 to about 4 rings. The number of carbon atoms can vary from 1 to about 12, or from 1 to about 6, and the total number of ring members can vary from three to about 15, or from about 3 to about 8. Ring heteroatoms are N, O and S. Hetaryl moieties include pyrazolyl,

thiophenyl, pyridyl, imidazolyl, tetrazolyl, pyridyl, pyrimidinyl, purinyl, quinazolinyl, quinoxalinyl, benzimidazolyl, benzothiophenyl, etc.

Unless otherwise defined herein, where a moiety is defined as a compound moiety, such as hetarylalkyl (hetaryl and alkyl), aralkyl (aryl and alkyl), etc., each of the sub-moieties is as
5 defined herein.

Unless otherwise defined herein, an electron withdrawing group is a group, such as the cyano or isocyanato group that draws electronic charge away from the carbon to which it is attached. Other electron withdrawing groups of note include those whose electronegativities exceed that of carbon, for example halogen, nitro, or phenyl substituted in the ortho- or para-
10 position with one or more cyano, isothiocyanato, nitro or halo groups.

Unless otherwise defined herein, the terms halogen and halo have their ordinary meanings. Halo (halogen) substituents are F, Cl, Br, and I.

The aforementioned optional substituents are, unless otherwise herein defined, suitable substituents depending upon desired properties. Included are halogens (F, Cl, Br, I), alkyl, alkenyl, and alkynyl moieties, NO₂, NH₃ (substituted and unsubstituted), acid moieties (e.g. -
15 CO₂H, -OSO₃H₂, etc.), heterocycloalkyl moieties, hetaryl moieties, aryl moieties, etc.

In all the preceding formulae, the squiggle (~) indicates a bond to an oxygen or sulfur of the 5'-phosphate. Phosphate protecting groups include those described in US Patents No. US 5,760,209, US 5,614,621, US 6,051,699, US 6,020,475, US 6,326,478, US 6,169,177, US
20 6,121,437, US 6,465,628.

Oligomer Synthesis

Oligomerization of modified and unmodified nucleosides is performed according to literature procedures for DNA (Protocols for Oligonucleotides and Analogs, Ed. Agrawal (1993),
25 Humana Press) and/or RNA (Scaringe, Methods (2001), 23, 206-217. Gait et al., Applications of Chemically synthesized RNA in RNA:Protein Interactions, Ed. Smith (1998), 1-36. Gallo et al., Tetrahedron (2001), 57, 5707-5713) synthesis as appropriate. In addition specific protocols for the synthesis of oligomeric compounds of the invention are illustrated in the examples below.

The oligomeric compounds used in accordance with this invention may be conveniently
30 and routinely made through the well-known technique of solid phase synthesis. Equipment for such synthesis is sold by several vendors including, for example, Applied Biosystems (Foster City, CA). Any other means for such synthesis known in the art may additionally or

alternatively be employed. It is well known to use similar techniques to prepare oligonucleotides such as the phosphorothioates and alkylated derivatives.

The oligomeric compounds of the invention may also be admixed, encapsulated, conjugated or otherwise associated with other molecules, molecule structures or mixtures of compounds, as for example, liposomes, receptor targeted molecules, oral, rectal, topical or other formulations, for assisting in uptake, distribution and/or absorption. Representative United States patents that teach the preparation of such uptake, distribution and/or absorption assisting formulations include, but are not limited to, U.S. Patents 5,108,921; 5,354,844; 5,416,016; 5,459,127; 5,521,291; 5,543,158; 5,547,932; 5,583,020; 5,591,721; 4,426,330; 4,534,899; 10 5,013,556; 5,108,921; 5,213,804; 5,227,170; 5,264,221; 5,356,633; 5,395,619; 5,416,016; 5,417,978; 5,462,854; 5,469,854; 5,512,295; 5,527,528; 5,534,259; 5,543,152; 5,556,948; 5,580,575; and 5,595,756.

Salts, prodrugs and bioequivalents:

The oligomeric compounds of the invention encompass any pharmaceutically acceptable salts, esters, or salts of such esters, or any other compound which, upon administration to an animal including a human, is capable of providing (directly or indirectly) the biologically active metabolite or residue thereof. Accordingly, for example, the disclosure is also drawn to prodrugs and pharmaceutically acceptable salts of the compounds of the invention, pharmaceutically acceptable salts of such prodrugs, and other bioequivalents.

The term "prodrug" indicates a therapeutic agent that is prepared in an inactive or less active form that is converted to an active form (i.e., drug) within the body or cells thereof by the action of endogenous enzymes or other chemicals and/or conditions. In particular, prodrug versions of the oligonucleotides of the invention are prepared as SATE ((S-acetyl-2-thioethyl) phosphate) derivatives according to the methods disclosed in WO 93/24510 to Gosselin et al., 25 published December 9, 1993 or in WO 94/26764 to Imbach et al.

The term "pharmaceutically acceptable salts" refers to physiologically and pharmaceutically acceptable salts of the compounds of the invention: i.e., salts that retain the desired biological activity of the parent compound and do not impart undesired toxicological effects thereto.

Pharmaceutically acceptable base addition salts are formed with metals or amines, such as alkali and alkaline earth metals or organic amines. Examples of metals used as cations are sodium, potassium, magnesium, calcium, and the like. Examples of suitable amines are N,N'-dibenzylethylenediamine, chlorprocaine, choline, diethanolamine, dicyclohexylamine,

ethylenediamine, N-methylglucamine, and procaine (see, for example, Berge et al., "Pharmaceutical Salts," *J. of Pharma Sci.*, 1977, 66, 1-19). The base addition salts of said acidic compounds are prepared by contacting the free acid form with a sufficient amount of the desired base to produce the salt in the conventional manner. The free acid form may be regenerated by contacting the salt form with an acid and isolating the free acid in the conventional manner. The free acid forms differ from their respective salt forms somewhat in certain physical properties such as solubility in polar solvents, but otherwise the salts are equivalent to their respective free acid for purposes of the present invention. As used herein, a "pharmaceutical addition salt" includes a pharmaceutically acceptable salt of an acid form of one of the components of the compositions of the invention. These include organic or inorganic acid salts of the amines. Acid salts are the hydrochlorides, acetates, salicylates, nitrates and phosphates. Other suitable pharmaceutically acceptable salts are well known to those skilled in the art and include basic salts of a variety of inorganic and organic acids, such as, for example, with inorganic acids, such as for example hydrochloric acid, hydrobromic acid, sulfuric acid or phosphoric acid; with organic carboxylic, sulfonic, sulfo or phospho acids or N-substituted sulfamic acids, for example acetic acid, propionic acid, glycolic acid, succinic acid, maleic acid, hydroxymaleic acid, methylmaleic acid, fumaric acid, malic acid, tartaric acid, lactic acid, oxalic acid, gluconic acid, glucaric acid, glucuronic acid, citric acid, benzoic acid, cinnamic acid, mandelic acid, salicylic acid, 4-aminosalicylic acid, 2-phenoxybenzoic acid, 2-acetoxybenzoic acid, embonic acid, nicotinic acid or isonicotinic acid; and with amino acids, such as the 20 alpha-amino acids involved in the synthesis of proteins in nature, for example glutamic acid or aspartic acid, and also with phenylacetic acid, methanesulfonic acid, ethanesulfonic acid, 2-hydroxyethanesulfonic acid, ethane-1,2-disulfonic acid, benzenesulfonic acid, 4-methylbenzenesulfonic acid, naphthalene-2-sulfonic acid, naphthalene-1,5-disulfonic acid, 2- or 3-phosphoglycerate, glucose-6-phosphate, N-cyclohexylsulfamic acid (with the formation of cyclamates), or with other acid organic compounds, such as ascorbic acid. Pharmaceutically acceptable salts of compounds may also be prepared with a pharmaceutically acceptable cation. Suitable pharmaceutically acceptable cations are well known to those skilled in the art and include alkaline, alkaline earth, ammonium and quaternary ammonium cations. Carbonates or hydrogen carbonates are also possible.

For oligonucleotides, examples of pharmaceutically acceptable salts include but are not limited to (a) salts formed with cations such as sodium, potassium, ammonium, magnesium, calcium, polyamines such as spermine and spermidine, etc.; (b) acid addition salts formed with

inorganic acids, for example hydrochloric acid, hydrobromic acid, sulfuric acid, phosphoric acid, nitric acid and the like; (c) salts formed with organic acids such as, for example, acetic acid, oxalic acid, tartaric acid, succinic acid, maleic acid, fumaric acid, gluconic acid, citric acid, malic acid, ascorbic acid, benzoic acid, tannic acid, palmitic acid, alginic acid, polyglutamic acid, naphthalenesulfonic acid, methanesulfonic acid, p-toluenesulfonic acid, naphthalenedisulfonic acid, polygalacturonic acid, and the like; and (d) salts formed from elemental anions such as chlorine, bromine, and iodine. In one embodiment, double-stranded oligomeric compounds are provided as sodium salts.

As used herein, the term "patient" refers to a mammal that is afflicted with one or more disorders associated with survivin expression or overexpression. It will be understood that the most suitable patient is a human. It is also understood that this invention relates specifically to the inhibition of mammalian survivin expression or overexpression.

It is recognized that one skilled in the art may affect the disorders associated with survivin expression or overexpression by treating a patient presently afflicted with the disorders with an effective amount of the compound of the present invention. Thus, the terms "treatment" and "treating" are intended to refer to all processes wherein there may be a slowing, interrupting, arresting, controlling, or stopping of the progression of the disorders described herein, but does not necessarily indicate a total elimination of all symptoms.

As used herein, the term "effective amount" or "therapeutically effective amount" of a compound of the present invention refers to an amount that is effective in treating or preventing the disorders described herein.

The oligomeric compounds of the present invention can be utilized for diagnostics, therapeutics, prophylaxis and as research reagents and kits. For therapeutics, a patient, such as a human, suspected of having a disease or disorder which can be treated by modulating the expression of survivin is treated by administering antisense compounds in accordance with this invention. The compounds of the invention can be utilized in pharmaceutical compositions by adding an effective amount of an antisense compound to a suitable pharmaceutically acceptable diluent or carrier. Use of the antisense compounds and methods of the invention may also be useful prophylactically, e.g., to prevent or delay infection, inflammation or tumor formation, for example.

The present invention also includes pharmaceutical compositions and formulations which include oligomeric compounds of the invention. The pharmaceutical compositions of the present invention may be administered in a number of ways depending upon whether local or

systemic treatment is desired and upon the area to be treated. Administration may be topical (including ophthalmic and to mucous membranes including vaginal and rectal delivery), pulmonary, e.g., by inhalation or insufflation of powders or aerosols, including by nebulizer; intratracheal, intranasal, epidermal, intradermal and transdermal, oral or parenteral. Parenteral administration includes intravenous, intraarterial, subcutaneous, intraperitoneal or intramuscular injection, drip or infusion; or intracranial, e.g., intrathecal or intraventricular, administration. Oligonucleotides with at least one 2'-O-methoxyethyl modification are believed to be particularly useful for oral administration.

Pharmaceutical compositions and formulations for topical administration may include transdermal patches, ointments, lotions, creams, gels, drops, suppositories, sprays, liquids and powders. Conventional pharmaceutical carriers, aqueous, powder or oily bases, thickeners and the like may be necessary or desirable. Coated condoms, gloves and the like may also be useful.

Compositions and formulations for oral administration include powders or granules, suspensions or solutions in water or non-aqueous media, capsules, sachets or tablets. Thickeners, flavoring agents, diluents, emulsifiers, dispersing aids or binders may be desirable. Compositions for oral administration also include pulsatile delivery compositions and bioadhesive composition as described in copending U.S. Patent Publication No. 2003-0124196 filed August 22, 2001, and 2003-0083286 filed August 22, 2001.

Oral administration for treatment of the disorders is described herein.

However, oral administration is not the only route. For example, the intravenous route may be desirable as a matter of convenience or to avoid potential complications related to oral administration. When a compound of the present invention is administered through the intravenous route, an intravenous bolus or slow infusion may be desired.

Compositions and formulations for parenteral, intrathecal or intraventricular administration may include sterile aqueous solutions which may also contain buffers, diluents and other suitable additives such as, but not limited to, penetration enhancers, carrier compounds and other pharmaceutically acceptable carriers or excipients.

Pharmaceutical compositions and/or formulations comprising the oligomeric compounds of the present invention may also include penetration enhancers in order to enhance the alimentary delivery of the oligonucleotides. Penetration enhancers may be classified as belonging to one of five broad categories, i.e., fatty acids, bile salts, chelating agents, surfactants and non-surfactants (Lee et al., *Critical Reviews in Therapeutic Drug Carrier Systems*, 1991, 8, 91-192; Muranishi, *Critical Reviews in Therapeutic Drug Carrier Systems*, 1990, 7:1, 1-33).

One or more penetration enhancers from one or more of these broad categories may be included. Various fatty acids and their derivatives which act as penetration enhancers include, for example, oleic acid, lauric acid (C12), capric acid (C10), myristic acid, palmitic acid, stearic acid, linoleic acid, linolenic acid, dicaprinate, tricaprinate, ricinoleate, monoolein (a.k.a. 1-monooleoyl-rac-
5 glycerol), dilaurin, caprylic acid, arachidonic acid, glyceryl 1-monocaprate, 1-dodecylazacycloheptan-2-one, acylcarnitines, acylcholines, mono- and di-glycerides and physiologically acceptable salts thereof (i.e., oleate, laurate, caprate, myristate, palmitate, stearate, linoleate, etc.) (Lee et al., *Critical Reviews in Therapeutic Drug Carrier Systems*, 1991, 8:2, 91-192; Muranishi, *Critical Reviews in Therapeutic Drug Carrier Systems*, 1990, 7:1, 1-33;
10 El-Hariri et al., *J. Pharm. Pharmacol.*, 1992, 44, 651-654). Examples of some fatty acids are sodium caprate and sodium laurate, used singly or in combination at concentrations of 0.5 to 5%.

Various natural bile salts, and their synthetic derivatives, act as penetration enhancers. Thus, the term "bile salt" includes any of the naturally occurring components of bile as well as any of their synthetic derivatives. Examples of bile salts are chenodeoxycholic acid (CDCA)
15 and/or ursodeoxycholic acid (UDCA), generally used at concentrations of 0.5 to 2%.

Complex formulations comprising one or more penetration enhancers may be used. For example, bile salts may be used in combination with fatty acids to make complex formulations. Suitable combinations include CDCA combined with sodium caprate or sodium laurate (generally 0.5 to 5%).

20 Chelating agents include, but are not limited to, disodium ethylenediaminetetraacetate (EDTA), citric acid, salicylates (e.g., sodium salicylate, 5-methoxysalicylate and homovanilate), N-acyl derivatives of collagen, laureth-9 and N-amino acyl derivatives of beta-diketones (enamines)(Lee et al., *Critical Reviews in Therapeutic Drug Carrier Systems*, 1991, 8:2, 92-192; Muranishi, *Critical Reviews in Therapeutic Drug Carrier Systems*, 1990, 7:1, 1-33; Buur et al., *J.*
25 *Control Rel.*, 1990, 14, 43-51). Chelating agents have the added advantage of also serving as DNase inhibitors.

Surfactants include, for example, sodium lauryl sulfate, polyoxyethylene-9-lauryl ether and polyoxyethylene-20-cetyl ether (Lee et al., *Critical Reviews in Therapeutic Drug Carrier Systems*, 1991, 8:2, 92-191); and perfluorochemical emulsions, such as FC-43 (Takahashi et al.,
30 *J. Pharm. Pharmacol.*, 1988, 40, 252-257).

Non-surfactants include, for example, unsaturated cyclic ureas, 1-alkyl- and 1-alkenylazacyclo-alkanone derivatives (Lee et al., *Critical Reviews in Therapeutic Drug Carrier Systems*, 1991, 8:2, 92-191); and non-steroidal anti-inflammatory agents such as

diclofenac sodium, indomethacin and phenylbutazone (Yamashita et al., *J. Pharm. Pharmacol.*, 1987, 39, 621-626).

A "pharmaceutically acceptable carrier" (excipient) is a pharmaceutically acceptable solvent, suspending agent or any other pharmacologically inert vehicle for delivering one or more nucleic acids to an animal. The pharmaceutically acceptable carrier may be liquid or solid and is selected with the planned manner of administration in mind so as to provide for the desired bulk, consistency, etc., when combined with a nucleic acid and the other components of a given pharmaceutical composition. Typical pharmaceutically acceptable carriers include, but are not limited to, binding agents (e.g., pregelatinized maize starch, polyvinylpyrrolidone or hydroxypropyl methylcellulose, etc.); fillers (e.g., lactose and other sugars, microcrystalline cellulose, pectin, gelatin, calcium sulfate, ethyl cellulose, polyacrylates or calcium hydrogen phosphate, etc.); lubricants (e.g., magnesium stearate, talc, silica, colloidal silicon dioxide, stearic acid, metallic stearates, hydrogenated vegetable oils, corn starch, polyethylene glycols, sodium benzoate, sodium acetate, etc.); disintegrates (e.g., starch, sodium starch glycolate, etc.); or wetting agents (e.g., sodium lauryl sulphate, etc.). Sustained release oral delivery systems and/or enteric coatings for orally administered dosage forms are described in U.S. Patents 4,704,295; 4,556,552; 4,309,406; and 4,309,404.

The compositions of the present invention may additionally contain other adjunct components conventionally found in pharmaceutical compositions, at their art-established usage levels. Thus, for example, the compositions may contain additional compatible pharmaceutically-active materials such as, e.g., antipruritics, astringents, local anesthetics or anti-inflammatory agents, or may contain additional materials useful in physically formulating various dosage forms of the composition of present invention, such as dyes, flavoring agents, preservatives, antioxidants, opacifiers, thickening agents and stabilizers. However, such materials, when added, should not unduly interfere with the biological activities of the components of the compositions of the invention.

Regardless of the method by which the oligomeric compounds of the invention are introduced into a patient, colloidal dispersion systems may be used as delivery vehicles to enhance the *in vivo* stability of the compounds and/or to target the compounds to a particular organ, tissue or cell type. Colloidal dispersion systems include, but are not limited to, macromolecule complexes, nanocapsules, microspheres, beads and lipid-based systems including oil-in-water emulsions, micelles, mixed micelles, liposomes and lipid:oligonucleotide complexes of uncharacterized structure. One colloidal dispersion system is a plurality of liposomes.

Liposomes are microscopic spheres having an aqueous core surrounded by one or more outer layer(s) made up of lipids arranged in a bilayer configuration (see, generally, Chonn et al., *Current Op. Biotech.*, 1995, 6, 698-708).

Certain embodiments of the invention provide for liposomes and other compositions one or more other chemotherapeutic agents which function by a non-antisense mechanism. Examples of such chemotherapeutic agents include but are not limited to daunorubicin, daunomycin, dactinomycin, doxorubicin, epirubicin, idarubicin, esorubicin, bleomycin, mafosfamide, ifosfamide, cytosine arabinoside, bis-chloroethylnitrosurea, busulfan, mitomycin C, actinomycin D, mithramycin, prednisone, hydroxyprogesterone, testosterone, tamoxifen, dacarbazine, procarbazine, hexamethylmelamine, pentamethylmelamine, mitoxantrone, amsacrine, chlorambucil, methylcyclohexylnitrosurea, nitrogen mustards, melphalan, cyclophosphamide, 6-mercaptopurine, 6-thioguanine, cytarabine, 5-azacytidine, hydroxyurea, deoxycoformycin, 4-hydroxyperoxycyclophosphoramide, 5-fluorouracil (5-FU), 5-fluorodeoxyuridine (5-FUdR), methotrexate (MTX), colchicine, taxol, vincristine, vinblastine, etoposide (VP-16), trimetrexate, irinotecan, topotecan, gemcitabine, teniposide, cisplatin, carboplatin and diethylstilbestrol (DES). See, generally, *The Merck Manual of Diagnosis and Therapy*, 15th Ed. 1987, pp. 1206-1228, Berkow et al., eds., Rahway, N.J. When used with the compounds of the invention, such chemotherapeutic agents may be used individually (e.g., 5-FU and oligonucleotide), sequentially (e.g., 5-FU and oligonucleotide for a period of time followed by MTX and oligonucleotide), or in combination with one or more other such chemotherapeutic agents (e.g., 5-FU, MTX and oligonucleotide, or 5-FU, radiotherapy and oligonucleotide).

Anti-inflammatory drugs, including but not limited to nonsteroidal anti-inflammatory drugs and corticosteroids, and antiviral drugs, including but not limited to ribivirin, vidarabine, acyclovir and ganciclovir, may also be combined in compositions of the invention. See, generally, *The Merck Manual of Diagnosis and Therapy*, 15th Ed., Berkow et al., eds., 1987, Rahway, N.J., pages 2499-2506 and 46-49, respectively). Other non-antisense chemotherapeutic agents are also within the scope of this invention. Two or more combined compounds may be used together or sequentially.

The formulation of therapeutic compositions and their subsequent administration is believed to be within the skill of those in the art. Dosing is dependent on severity and responsiveness of the disease state to be treated, with the course of treatment lasting from several days to several months, or until a cure is effected or a diminution of the disease state is achieved. Optimal dosing schedules can be calculated from measurements of drug accumulation in the

body of the patient. Persons of ordinary skill can easily determine optimum dosages, dosing methodologies and repetition rates. Optimum dosages may vary depending on the relative potency of individual oligonucleotides, and can generally be estimated based on EC₅₀s found to be effective in *in vitro* and *in vivo* animal models. In general, dosage is from 0.01 µg to 100 g per kg of body weight, and may be given once or more daily, weekly, monthly or yearly. Persons of ordinary skill in the art can easily estimate repetition rates for dosing based on measured residence times and concentrations of the drug in bodily fluids or tissues. Following successful treatment, it may be desirable to have the patient undergo maintenance therapy to prevent the recurrence of the disease state, wherein the oligonucleotide is administered in maintenance doses, ranging from 0.01 µg to 100 g per kg of body weight, once or more daily, weekly, monthly, or yearly. For double-stranded compounds, the dose must be calculated to account for the increased nucleic acid load of the second strand (as with compounds comprising two separate strands) or the additional nucleic acid length (as with self complementary single strands having double-stranded regions).

Double-stranded compounds can be introduced into cells in a number of different ways. For example, the double-stranded compounds can be administered by microinjection; bombardment by microparticles covered by the double-stranded compounds; soaking the cells in a solution of the double-stranded compounds; electroporation of cells in the presence of the double-stranded compounds; liposome-mediated delivery of double-stranded compounds; transfection mediated by chemicals such as calcium phosphate, cationic lipids, etc.; viral infection; transformation; and the like. The double-stranded compounds can be introduced along with components that enhance RNA uptake by the cells, stabilize the annealed strands, or otherwise increase the inhibition of function of the target polynucleotide sequence. In the case of a cell culture or tissue expoant, the cells are conveniently incubated in a solution containing the double-stranded compounds, or subjected to lipid-mediated transformation.

Determination of the optimal amounts of double-stranded compounds to be administered to human or animal patients for the prevention or treatment of pathologies associated with survivin expression or overexpression, as well as methods of administering therapeutic or pharmaceutical compositions comprising such double-stranded oligonucleotides, is within the skill of those in the pharmaceutical art. Dosing of a human or animal patient is dependent on the nature of the symptom, condition, or disease; the nature of the infected cell or tissue; the patient's condition; body weight; general health; sex; diet; time, duration, and route of administration; rates of absorption, distribution, metabolism, and excretion of the double-

stranded compounds; combination with other drugs; severity of the pathology; and the responsiveness of the disease state being treated. The amount of double-stranded compounds administered also depends on the nature of the target polynucleotide sequence or region thereof, and the nature of the double-stranded compounds, and can readily be optimized to obtain the
5 desired level of effectiveness. The course of treatment can last from several days to several weeks or several months, or until a cure is effected or an acceptable diminution or prevention of the disease state is achieved. Optimal dosing schedules can be calculated from measurements of drug accumulation in the body of the patient in conjunction with the effectiveness of the treatment. Persons of ordinary skill can easily determine optimum dosages, dosing
10 methodologies, and repetition rates.

While the embodiments of the invention have been described with specificity in accordance with certain of the embodiments, the following examples serve only to illustrate the invention and are not intended to limit the same.

15 EXAMPLES

Example 1: Nucleoside phosphoramidites for oligonucleotide synthesis deoxy and 2'-alkoxy amidites

2'-Deoxy and 2'-methoxy beta-cyanoethyl-diisopropyl phosphoramidites were purchased from commercial sources (e.g. Chemgenes, Needham, MA or Glen Research, Inc. Sterling, VA).
20 Other 2'-O-alkoxy substituted nucleoside amidites are prepared as described in U.S. Patent 5,506,351. For oligonucleotides synthesized using 2'-alkoxy amidites, the standard cycle for unmodified oligonucleotides was utilized, except the wait step after pulse delivery of tetrazole and base was increased to 360 seconds.

Oligonucleotides containing 5-methyl-2'-deoxycytidine (5-Me-C) nucleotides were
25 synthesized according to published methods (Sanghvi, et. al., *Nucleic Acids Research*, 1993, 21, 3197-3203) using commercially available phosphoramidites (Glen Research, Sterling VA or ChemGenes, Needham, MA).

2'-Fluoro amidites

2'-Fluorodeoxyadenosine amidites

30 2'-fluoro oligonucleotides were synthesized as described previously (Kawasaki, et. al., *J. Med. Chem.*, 1993, 36, 831-841) and U. S. Patent 5,670,633.

Briefly, the protected nucleoside N6-benzoyl-2'-deoxy-2'-fluoroadenosine was synthesized utilizing commercially available 9-beta-D-arabinofuranosyladenine as starting material and by

modifying literature procedures whereby the 2'-alpha-fluoro atom was introduced by a S_N2-displacement of a 2'-beta-trityl group. Thus N6-benzoyl-9-beta-D-arabinofuranosyladenine was selectively protected in moderate yield as the 3',5'-ditetrahydropyranyl (THP) intermediate. Deprotection of the THP and N6-benzoyl groups was accomplished using standard
5 methodologies and standard methods were used to obtain the 5'-dimethoxytrityl-(DMT) and 5'-DMT-3'-phosphoramidite intermediates.

2'-Fluorodeoxyguanosine

The synthesis of 2'-deoxy-2'-fluoroguanosine was accomplished using tetraisopropylidisiloxanyl (TPDS) protected 9-beta-D-arabinofuranosylguanine as starting
10 material, and conversion to the intermediate diisobutyrylarabinofuranosylguanine. Deprotection of the TPDS group was followed by protection of the hydroxyl group with THP to give diisobutyryl di-THP protected arabinofuranosylguanine.

Selective O-deacylation and triflation was followed by treatment of the crude product with fluoride, then deprotection of the THP groups. Standard methodologies were used to obtain
15 the 5'-DMT- and 5'-DMT-3'-phosphoramidites.

2'-Fluorouridine

Synthesis of 2'-deoxy-2'-fluorouridine was accomplished by the modification of a literature procedure in which 2,2'-anhydro-1-beta-D-arabinofuranosyluracil was treated with 70% hydrogen fluoride-pyridine. Standard procedures were used to obtain the 5'-DMT and 5'-
20 DMT-3'phosphoramidites.

2'-Fluorodeoxycytidine

2'-deoxy-2'-fluorocytidine was synthesized via amination of 2'-deoxy-2'-fluorouridine, followed by selective protection to give N4-benzoyl-2'-deoxy-2'-fluorocytidine. Standard procedures were used to obtain the 5'-DMT and 5'-DMT-3'phosphoramidites.

2'-O-(2-Methoxyethyl) modified amidites

2'-O-Methoxyethyl-substituted nucleoside amidites were prepared as follows, or alternatively, as per the methods of Martin, P., *Helvetica Chimica Acta*, 1995, 78, 486-504.

2,2'-Anhydro(1-(beta-D-arabinofuranosyl)-5-methyluridine)

5-Methyluridine (ribosylthymine, commercially available through Yamasa, Choshi,
30 Japan) (72.0 g, 0.279 M), diphenylcarbonate (90.0 g, 0.420 M) and sodium bicarbonate (2.0 g, 0.024 M) were added to DMF (300 mL). The mixture was heated to reflux, with stirring, allowing the evolved carbon dioxide gas to be released in a controlled manner. After 1 hour, the slightly darkened solution was concentrated under reduced pressure. The resulting syrup was

poured into diethylether (2.5 L), with stirring. The product formed a gum. The ether was decanted and the residue was dissolved in a minimum amount of methanol (ca. 400 mL). The solution was poured into fresh ether (2.5 L) to yield a stiff gum. The ether was decanted and the gum was dried in a vacuum oven (60°C at 1 mm Hg for 24 h) to give a solid that was crushed to a light tan powder (57 g, 85% crude yield). The NMR spectrum was consistent with the structure, contaminated with phenol as its sodium salt (ca. 5%). The material was used as is for further reactions (or it can be purified further by column chromatography using a gradient of methanol in ethyl acetate (10-25%) to give a white solid, mp 222-4°C).

2'-O-Methoxyethyl-5-methyluridine

2,2'-Anhydro-5-methyluridine (195 g, 0.81 M), tris(2-methoxyethyl)borate (231 g, 0.98 M) and 2-methoxyethanol (1.2 L) were added to a 2 L stainless steel pressure vessel and placed in a pre-heated oil bath at 160°C. After heating for 48 hours at 155-160°C, the vessel was opened and the solution evaporated to dryness and triturated with MeOH (200 mL). The residue was suspended in hot acetone (1 L). The insoluble salts were filtered, washed with acetone (150 mL) and the filtrate evaporated. The residue (280 g) was dissolved in CH₃CN (600 mL) and evaporated. A silica gel column (3 kg) was packed in CH₂Cl₂/Acetone/MeOH (20:5:3) containing 0.5% Et₃NH. The residue was dissolved in CH₂Cl₂ (250 mL) and adsorbed onto silica (150 g) prior to loading onto the column. The product was eluted with the packing solvent to give 160 g (63%) of product. Additional material was obtained by reworking impure fractions.

2'-O-Methoxyethyl-5'-O-dimethoxytrityl-5-methyluridine

2'-O-Methoxyethyl-5-methyluridine (160 g, 0.506 M) was co-evaporated with pyridine (250 mL) and the dried residue dissolved in pyridine (1.3 L). A first aliquot of dimethoxytrityl chloride (94.3 g, 0.278 M) was added and the mixture stirred at room temperature for one hour. A second aliquot of dimethoxytrityl chloride (94.3 g, 0.278 M) was added and the reaction stirred for an additional one hour. Methanol (170 mL) was then added to stop the reaction. HPLC showed the presence of approximately 70% product. The solvent was evaporated and triturated with CH₃CN (200 mL). The residue was dissolved in CHCl₃ (1.5 L) and extracted with 2x500 mL of saturated NaHCO₃ and 2x500 mL of saturated NaCl. The organic phase was dried over Na₂SO₄, filtered and evaporated. 275 g of residue was obtained. The residue was purified on a 3.5 kg silica gel column, packed and eluted with EtOAc/Hexane/Acetone (5:5:1) containing 0.5% Et₃NH. The pure fractions were evaporated to give 164 g of product. Approximately 20 g additional was obtained from the impure fractions to give a total yield of 183 g (57%).

- 57 -

3'-O-Acetyl-2'-O-methoxyethyl-5'-O-dimethoxytrityl-5-methyluridine

2'-O-Methoxyethyl-5'-O-dimethoxytrityl-5-methyluridine (106 g, 0.167 M), DMF/pyridine (750 mL of a 3:1 mixture prepared from 562 mL of DMF and 188 mL of pyridine) and acetic anhydride (24.38 mL, 0.258 M) were combined and stirred at room temperature for 24 hours. The reaction was monitored by tlc by first quenching the tlc sample with the addition of MeOH. Upon completion of the reaction, as judged by tlc, MeOH (50 mL) was added and the mixture evaporated at 35°C. The residue was dissolved in CHCl₃ (800 mL) and extracted with 2x200 mL of saturated sodium bicarbonate and 2x200 mL of saturated NaCl. The water layers were back extracted with 200 mL of CHCl₃. The combined organics were dried with sodium sulfate and evaporated to give 122 g of residue (approx. 90% product). The residue was purified on a 3.5 kg silica gel column and eluted using EtOAc/Hexane(4:1). Pure product fractions were evaporated to yield 96 g (84%). An additional 1.5 g was recovered from later fractions.

3'-O-Acetyl-2'-O-methoxyethyl-5'-O-dimethoxytrityl-5-methyl-4-triazoleuridine

A first solution was prepared by dissolving 3'-O-acetyl-2'-O-methoxyethyl-5'-O-dimethoxytrityl-5-methyluridine (96 g, 0.144 M) in CH₃CN (700 mL) and set aside.

Triethylamine (189 mL, 1.44 M) was added to a solution of triazole (90 g, 1.3 M) in CH₃CN (1 L), cooled to -5°C and stirred for 0.5 hours using an overhead stirrer. POCl₃ was added dropwise, over a 30 minute period, to the stirred solution maintained at 0-10°C, and the resulting mixture stirred for an additional 2 hours. The first solution was added dropwise, over a 45 minute period, to the latter solution. The resulting reaction mixture was stored overnight in a cold room. Salts were filtered from the reaction mixture and the solution was evaporated. The residue was dissolved in EtOAc (1 L) and the insoluble solids were removed by filtration. The filtrate was washed with 1x300 mL of NaHCO₃ and 2x300 mL of saturated NaCl, dried over sodium sulfate and evaporated. The residue was triturated with EtOAc to give the title compound.

2'-O-Methoxyethyl-5'-O-dimethoxytrityl-5-methylcytidine

A solution of 3'-O-acetyl-2'-O-methoxyethyl-5'-O-dimethoxytrityl-5-methyl-4-triazoleuridine (103 g, 0.141 M) in dioxane (500 mL) and NH₄OH (30 mL) was stirred at room temperature for 2 hours. The dioxane solution was evaporated and the residue azeotroped with MeOH (2x200 mL). The residue was dissolved in MeOH (300 mL) and transferred to a 2 liter stainless steel pressure vessel. MeOH (400 mL) saturated with NH₃ gas was added and the vessel heated to 100°C for 2 hours (tlc showed complete conversion). The vessel contents were

evaporated to dryness and the residue was dissolved in EtOAc (500 mL) and washed once with saturated NaCl (200 mL). The organics were dried over sodium sulfate and the solvent was evaporated to give 85 g (95%) of the title compound.

N4-Benzoyl-2'-O-methoxyethyl-5'-O-dimethoxytrityl-5-methylcytidine

5 2'-O-Methoxyethyl-5'-O-dimethoxytrityl-5-methylcytidine (85 g, 0.134 M) was dissolved in DMF (800 mL) and benzoic anhydride (37.2 g, 0.165 M) was added with stirring. After stirring for 3 hours, tlc showed the reaction to be approximately 95% complete. The solvent was evaporated and the residue azeotroped with MeOH (200 mL). The residue was dissolved in CHCl₃ (700 mL) and extracted with saturated NaHCO₃ (2x300 mL) and saturated
10 NaCl (2x300 mL), dried over MgSO₄ and evaporated to give a residue (96 g). The residue was chromatographed on a 1.5 kg silica column using EtOAc/Hexane (1:1) containing 0.5% Et₃NH as the eluting solvent. The pure product fractions were evaporated to give 90 g (90%) of the title compound.

N4-Benzoyl-2'-O-methoxyethyl-5'-O-dimethoxytrityl-5-methylcytidine-3'-amidite

15 N4-Benzoyl-2'-O-methoxyethyl-5'-O-dimethoxytrityl-5-methylcytidine (74 g, 0.10 M) was dissolved in CH₂Cl₂ (1 L). Tetrazole diisopropylamine (7.1 g) and 2-cyanoethoxy-tetra(isopropyl)phosphite (40.5 mL, 0.123 M) were added with stirring, under a nitrogen atmosphere. The resulting mixture was stirred for 20 hours at room temperature (tlc showed the reaction to be 95% complete). The reaction mixture was extracted with saturated NaHCO₃ (1x300 mL) and
20 saturated NaCl (3x300 mL). The aqueous washes were back-extracted with CH₂Cl₂ (300 mL), and the extracts were combined, dried over MgSO₄ and concentrated. The residue obtained was chromatographed on a 1.5 kg silica column using EtOAc/Hexane (3:1) as the eluting solvent. The pure fractions were combined to give 90.6 g (87%) of the title compound.

2'-(Aminoxyethyl) nucleoside amidites and 2'-(dimethylaminoxyethyl) nucleoside amidites

25 Aminoxyethyl and dimethylaminoxyethyl amidites are prepared as per the methods of United States patent 6,127,533.

Example 2: Oligonucleotide synthesis

30 Unsubstituted and substituted phosphodiester (P=O) oligonucleotides were synthesized on an automated DNA synthesizer (Applied Biosystems* model 380B) using standard phosphoramidite chemistry with oxidation by iodine.

* Trade-mark

Phosphorothioates (P=S) were synthesized as for the phosphodiester oligonucleotides except the standard oxidation bottle was replaced by 0.2 M solution of 3H-1,2-benzodithiole-3-one 1,1-dioxide in acetonitrile for the stepwise thiation of the phosphite linkages. The thiation wait step was increased to 68 sec and was followed by the capping step. After cleavage from the CPG column and deblocking in concentrated ammonium hydroxide at 55°C (18 hours), the oligonucleotides were purified by precipitating twice with 2.5 volumes of ethanol from a 0.5 M NaCl solution. Phosphinate oligonucleotides are prepared as described in U.S. Patent 5,508,270.

Alkyl phosphonate oligonucleotides are prepared as described in U.S. Patent 4,469,863.

3'-Deoxy-3'-methylene phosphonate oligonucleotides are prepared as described in U.S. Patents 5,610,289 or 5,625,050.

Phosphoramidite oligonucleotides are prepared as described in U.S. Patent, 5,256,775 or U.S. Patent 5,366,878.

Alkylphosphonothioate oligonucleotides are prepared as described in published PCT applications PCT/US94/00902 and PCT/US93/06976 (published as WO 94/17093 and WO 94/02499, respectively). 3'-Deoxy-3'-amino phosphoramidate oligonucleotides are prepared as described in U.S. Patent 5,476,925.

Phosphotriester oligonucleotides are prepared as described in U.S. Patent 5,023,243.

Borano phosphate oligonucleotides are prepared as described in U.S. Patents 5,130,302 and 5,177,198.

4-Ribonucleoside and 2'-deoxy-4'-ribonucleoside compositions may be made by the method taught by Naka et al., *J. Am. Chem. Soc.* 122:7233-7243, 2000 and U.S. Patent No. 5,639,873.

Example 3: Oligonucleoside synthesis

Methylenemethylimino linked oligonucleosides, also identified as MMI linked oligonucleosides, methylenedimethylhydrazo linked oligonucleosides, also identified as MDH linked oligonucleosides, and methylenecarbonylamino linked oligonucleosides, also identified as amide-3 linked oligonucleosides, and methyleneaminocarbonyl linked oligonucleosides, also identified as amide-4 linked oligonucleosides, as well as mixed backbone compounds having, for

instance, alternating MMI and P=O or P=S linkages are prepared as described in U.S. Patents 5,378,825, 5,386,023, 5,489,677, 5,602,240 and 5,610,289.

The oligomeric compounds of the invention may also comprise mixed linkages in which any number of two or more types of linkages are present in any order and at any position within the oligomeric compound, for example the 5' half of the compound comprising phosphorothioate linkages and the the 3' half comprising phosphodiester linkages. These are referred to as mixed phosphorothioate and phosphodiester linkages

Formacetal and thioformacetal linked oligonucleosides are prepared as described in U.S. Patents 5,264,562 and 5,264,564.

Ethylene oxide linked oligonucleosides are prepared as described in U.S. Patent 5,223,618.

Example 4: PNA synthesis

Peptide nucleic acids (PNAs) are prepared in accordance with any of the various procedures referred to in Peptide Nucleic Acids (PNA): Synthesis, Properties and Potential Applications, *Bioorganic & Medicinal Chemistry*, 1996, 4, 5-23. They may also be prepared in accordance with U.S. Patents 5,539,082, 5,700,922, and 5,719,262 . reference.

Example 5: Synthesis of chimeric oligonucleotides

Chimeric oligonucleotides, oligonucleosides or mixed oligonucleotides/oligonucleosides of the invention can be of several different types. These include a first type wherein the "gap" segment of linked nucleosides is positioned between 5' and 3' "wing" segments of linked nucleosides and a second "open end" type wherein the "gap" segment is located at either the 3' or the 5' terminus of the oligomeric compound. Oligonucleotides of the first type are also known in the art as "gapmers" or gapped oligonucleotides. Oligonucleotides of the second type are also known in the art as "hemimers" or "wingmers".

Double-stranded compounds of the invention can be of several types including but not limited to, siRNAs, canonical siRNAs, blunt-ended siRNAs or hairpins. Single-stranded compounds of the invention which elicit the RNAi antisense mechanism are also within the scope of the invention. These include, but are not limited to, ssRNAi and antisense RNA (asRNA).

(2'-O-Me)-(2'-deoxy)-(2'-O-Me)chimeric phosphorothioate oligonucleotides

Chimeric oligonucleotides having 2'-O-alkyl phosphorothioate and 2'-deoxy phosphorothioate oligonucleotide segments are synthesized using an Applied Biosystems automated DNA synthesizer Model 380B, as above. Oligonucleotides are synthesized using the automated synthesizer and 2'-deoxy-5'-dimethoxytrityl-3'-O-phosphoramidite for the DNA portion and 5'-dimethoxytrityl-2'-O-methyl-3'-O-phosphoramidite for the 2'-MOE modified nucleotides. The standard synthesis cycle is modified by increasing the wait step after the delivery of tetrazole and base to 600 s repeated four times for RNA and twice for 2'-O-methyl. The fully protected oligonucleotide is cleaved from the support and the phosphate group is deprotected in 3:1 Ammonia/Ethanol at room temperature overnight then lyophilized to dryness. Treatment in methanolic ammonia for 24 hours at room temperature is then done to deprotect all bases and sample was again lyophilized to dryness. The pellet is resuspended in 1M TBAF in THF for 24 hours at room temperature to deprotect the 2' positions. The reaction is then quenched with 1M TEAA and the sample is then reduced to 1/2 volume by rotovac before being desalted on a G25 size exclusion column. The oligo recovered is then analyzed spectrophotometrically for yield and for purity by capillary electrophoresis and by mass spectrometry.

(2'-O-(2-Methoxyethyl))-(2'-deoxy)-(2'-O-(Methoxyethyl))chimeric phosphorothioate oligonucleotides

(2'-O-(2-methoxyethyl))-(2'-deoxy)-(2'-O-(methoxyethyl))chimeric phosphorothioate oligonucleotides were prepared as per the procedure above for the 2'-O-methyl chimeric oligonucleotide, with the substitution of 2'-O-(methoxyethyl) amidites for the 2'-O-methyl amidites.

(2'-O-(2-Methoxyethyl)Phosphodiester)-(2'-deoxy Phosphorothioate)-(2'-O-(2-Methoxyethyl) Phosphodiester) chimeric oligonucleotides

(2'-O-(2-methoxyethyl phosphodiester)-(2'-deoxy phosphorothioate)-(2'-O-(methoxyethyl) phosphodiester) chimeric oligonucleotides are prepared as per the above procedure for the 2'-O-methyl chimeric oligonucleotide with the substitution of 2'-O-(methoxyethyl) amidites for the 2'-O-methyl amidites, oxidization with iodine to generate the phosphodiester internucleotide linkages within the wing portions of the chimeric structures and sulfurization utilizing 3,4-dihydro-1,2-benzodithiole-3-one 1,1-dioxide (Beaucage Reagent) to generate the phosphorothioate internucleotide linkages for the center gap.

Other chimeric oligonucleotides, chimeric oligonucleosides and mixed chimeric oligonucleotides/oligonucleosides are synthesized according to U. S. Patent 5,623,065.

RNA Synthesis

5 In general, RNA synthesis chemistry is based on the selective incorporation of various protecting groups at strategic intermediary reactions. Although one of ordinary skill in the art will understand the use of protecting groups in organic synthesis, a useful class of protecting groups includes silyl ethers. In particular bulky silyl ethers are used to protect the 5'-hydroxyl in combination with an acid-labile orthoester protecting group on the 2'-hydroxyl. This set of
10 protecting groups is then used with standard solid-phase synthesis technology. It is important to lastly remove the acid labile orthoester protecting group after all other synthetic steps. Moreover, the early use of the silyl protecting groups during synthesis ensures facile removal when desired, without undesired deprotection of 2' hydroxyl.

Following this procedure for the sequential protection of the 5'-hydroxyl in combination
15 with protection of the 2'-hydroxyl by protecting groups that are differentially removed and are differentially chemically labile, RNA oligonucleotides were synthesized.

RNA oligonucleotides are synthesized in a stepwise fashion. Each nucleotide is added sequentially (3'- to 5'-direction) to a solid support-bound oligonucleotide. The first nucleoside at the 3'-end of the chain is covalently attached to a solid support. The nucleotide precursor, a
20 ribonucleoside phosphoramidite, and activator are added, coupling the second base onto the 5'-end of the first nucleoside. The support is washed and any unreacted 5'-hydroxyl groups are capped with acetic anhydride to yield 5'-acetyl moieties. The linkage is then oxidized to the more stable and ultimately desired P(V) linkage. At the end of the nucleotide addition cycle, the 5'-silyl group is cleaved with fluoride. The cycle is repeated for each subsequent nucleotide.

25 Following synthesis, the methyl protecting groups on the phosphates are cleaved in 30 minutes utilizing 1 M disodium-2-carbamoyl-2-cyanoethylene-1,1-dithiolate trihydrate (S_2Na_2) in DMF. The deprotection solution is washed from the solid support-bound oligonucleotide using water. The support is then treated with 40% methylamine in water for 10 minutes at 55 °C. This releases the RNA oligonucleotides into solution, deprotects the exocyclic amines, and modifies
30 the 2'- groups. The oligonucleotides can be analyzed by anion exchange HPLC at this stage.

The 2'-orthoester groups are the last protecting groups to be removed. The ethylene glycol monoacetate orthoester protecting group developed by Dharmacon Research, Inc. (Lafayette, CO), is one example of a useful orthoester protecting group which, has the following

important properties. It is stable to the conditions of nucleoside phosphoramidite synthesis and oligonucleotide synthesis. However, after oligonucleotide synthesis the oligonucleotide is treated with methylamine which not only cleaves the oligonucleotide from the solid support but also removes the acetyl groups from the orthoesters. The resulting 2-ethyl-hydroxyl substituents on the orthoester are less electron withdrawing than the acetylated precursor. As a result, the modified orthoester becomes more labile to acid-catalyzed hydrolysis. Specifically, the rate of cleavage is approximately 10 times faster after the acetyl groups are removed. Therefore, this orthoester possesses sufficient stability in order to be compatible with oligonucleotide synthesis and yet, when subsequently modified, permits deprotection to be carried out under relatively mild aqueous conditions compatible with the final RNA oligonucleotide product.

Additionally, methods of RNA synthesis are well known in the art (Scaringe, S. A. Ph.D. Thesis, University of Colorado, 1996; Scaringe, S. A., et al., *J. Am. Chem. Soc.*, 1998, *120*, 11820-11821; Matteucci, M. D. and Caruthers, M. H. *J. Am. Chem. Soc.*, 1981, *103*, 3185-3191; Beaucage, S. L. and Caruthers, M. H. *Tetrahedron Lett.*, 1981, *22*, 1859-1862; Dahl, B. J., et al., *Acta Chem. Scand.*, 1990, *44*, 639-641; Reddy, M. P., et al., *Tetrahedron Lett.*, 1994, *25*, 4311-4314; Wincott, F. et al., *Nucleic Acids Res.*, 1995, *23*, 2677-2684; Griffin, B. E., et al., *Tetrahedron*, 1967, *23*, 2301-2313; Griffin, B. E., et al., *Tetrahedron*, 1967, *23*, 2315-2331).

RNA antisense compounds (RNA oligonucleotides, whether single or double stranded) of the present invention can be synthesized by the methods herein or purchased from Dharmacon Research, Inc (Lafayette, CO). Once synthesized, complementary RNA antisense compounds can then be annealed by methods known in the art to form double-stranded (duplexed) antisense compounds. For example, duplexes can be formed by combining 30 μ l of each of the complementary strands of RNA oligonucleotides (50 μ M RNA oligonucleotide solution) and 15 μ l of 5X annealing buffer (100 mM potassium acetate, 30 mM HEPES-KOH pH 7.4, 2 mM magnesium acetate) followed by heating for 1 minute at 90°C, then 1 hour at 37°C. The resulting duplexed antisense compounds can be used in kits, assays, screens, or other methods to investigate the role of a target nucleic acid, or for diagnostic or therapeutic purposes.

Example 6: Oligonucleotide isolation

After cleavage from the controlled pore glass column (Applied Biosystems) and deblocking in concentrated ammonium hydroxide at 55°C for 18 hours, the oligonucleotides or oligonucleosides are purified by precipitation twice out of 0.5 M NaCl with 2.5 volumes ethanol. Synthesized oligonucleotides were analyzed by polyacrylamide gel electrophoresis on denaturing

gels and judged to be at least 85% full length material. The relative amounts of phosphorothioate and phosphodiester linkages obtained in synthesis were periodically checked by ^{31}P nuclear magnetic resonance spectroscopy, and for some studies oligonucleotides were purified by HPLC, as described by Chiang et al., *J. Biol. Chem.* 1991, 266, 18162-18171.

5 Results obtained with HPLC-purified material were similar to those obtained with non-HPLC purified material.

Example 7: Oligonucleotide synthesis - 96 well plate format

Oligonucleotides were synthesized via solid phase P(III) phosphoramidite chemistry on an automated synthesizer capable of assembling 96 sequences simultaneously in a standard 96 well format. Phosphodiester internucleotide linkages were afforded by oxidation with aqueous iodine. Phosphorothioate internucleotide linkages were generated by sulfurization utilizing 3,4-dihydro-2H-benzothiole-3-one 1,1-dioxide (Beaucage Reagent) in anhydrous acetonitrile. Standard base-protected beta-cyanoethyl-diisopropyl phosphoramidites were purchased from commercial vendors (e.g. PE-Applied Biosystems, Foster City, CA, or Pharmacia, Piscataway, NJ). Non-standard nucleosides are synthesized as per known literature or patented methods. They are utilized as base protected beta-cyanoethyl-diisopropyl phosphoramidites.

10
15

Oligonucleotides were cleaved from support and deprotected with concentrated NH_4OH at elevated temperature (55-60°C) for 12-16 hours and the released product then dried in vacuo. The dried product was then re-suspended in sterile water to afford a master plate from which all analytical and test plate samples are then diluted utilizing robotic pipettors.

20

Example 8: Oligonucleotide analysis - 96 well plate format

The concentration of oligonucleotide in each well was assessed by dilution of samples and UV absorption spectroscopy. The full-length integrity of the individual products was evaluated by capillary electrophoresis (CE) in either the 96 well format (Beckman P/ACEJ MDQ) or, for individually prepared samples, on a commercial CE apparatus (e.g., Beckman P/ACEJ 5000, ABI 270). Base and backbone composition was confirmed by mass analysis of the compounds utilizing electrospray-mass spectroscopy. All assay test plates were diluted from the master plate using single and multi-channel robotic pipettors. Plates were judged to be acceptable if at least 85% of the compounds on the plate were at least 85% full length.

25
30

* Trade-mark

Example 9: Cell culture and oligonucleotide treatment

The effect of antisense compounds on target nucleic acid expression can be tested in any of a variety of cell types provided that the target nucleic acid is present at measurable levels. This can be routinely determined using, for example, PCR or Northern blot analysis. The following cell types are provided for illustrative purposes, but other cell types can be routinely used.

MCF7:

The human breast carcinoma cell line MCF-7 was obtained from the American Type Culture Collection (Manassas, VA). MCF-7 cells were routinely cultured in DMEM low glucose (Invitrogen Life Technologies, Carlsbad, CA) supplemented with 10% fetal calf serum (Invitrogen Life Technologies, Carlsbad, CA). Cells were routinely passaged by trypsinization and dilution when they reached about 90% confluence. Cells were seeded into 96-well plates (Falcon-Primaria #3872) at a density of about 7000 cells/well for use in RT-PCR analysis. For Northern blotting or other analyses, cells may be seeded onto 100 mm or other standard tissue culture plates and treated similarly, using appropriate volumes of medium and oligonucleotide.

HeLa cells:

The human epitheloid carcinoma cell line HeLa was obtained from the American Tissue Type Culture Collection (Manassas, VA). HeLa cells were routinely cultured in DMEM, high glucose (Invitrogen Corporation, Carlsbad, CA) supplemented with 10% fetal bovine serum (Invitrogen Corporation, Carlsbad, CA). Cells were routinely passaged by trypsinization and dilution when they reached approximately 90% confluence. Cells were seeded into 24-well plates (Falcon-Primaria #3846) at a density of approximately 50,000 cells/well or in 96-well plates at a density of approximately 5,000 cells/well for use in RT-PCR analysis. For Northern blotting or other analyses, cells were harvested when they reached approximately 90% confluence.

U-87 MG cells:

The human glioblastoma U-87 MG cell line was obtained from the American Type Culture Collection (Manassas, VA). U-87 MG cells were cultured in DMEM (Invitrogen Life Technologies, Carlsbad, CA) supplemented with 10% fetal bovine serum (Invitrogen Life Technologies, Carlsbad, CA) and antibiotics. Cells were routinely passaged by trypsinization and dilution when they reached appropriate confluence. Cells were seeded into 96-well plates (Falcon-Primaria #3872) at a density of about 10,000 cells/well for use in RT-PCR analysis.

For Northern blotting or other analyses, cells may be seeded onto 100 mm or other standard tissue culture plates and treated similarly, using appropriate volumes of medium and oligonucleotide. For Northern blotting or other analyses, cells may be seeded onto 100 mm or other standard tissue culture plates and treated similarly, using appropriate volumes of medium and oligonucleotide.

HUVEC cells:

HUVEC were obtained from ATCC and routinely cultured in EBM (Clonetics Corp, Walkersille, MD) supplemented with SingleQuots supplements. Cells were routinely passaged by trypsinization and dilution when they reached 90% confluence were maintained for up to 15 passages. For cells grown in 96-well plates (10,000 cells/well), wells were washed once with 200 μ L OPTI-MEM-1™ reduced-serum medium (Gibco BRL) and then treated with 130 μ L of OPTI-MEM-1™ containing 12 μ g/mL LIPOFECTIN™ (Gibco BRL) and the desired double-stranded compounds at a final concentration of 25 nM. After 5 hours of treatment, the medium was replaced with fresh medium. Cells were harvested 16 hours after dsRNA treatment, at which time RNA was isolated and target reduction measured by RT-PCR.

Treatment with oligomeric compounds:

When cells reached 80% confluency, they were treated with oligonucleotide. For cells grown in 96-well plates, wells were washed once with 200 μ L OPTI-MEMJ-1 reduced-serum medium (Gibco BRL) and then treated with 130 μ L of OPTI-MEM-1 containing 3.75 μ g/mL LIPOFECTINJ (Gibco BRL) and the desired oligonucleotide at a final concentration of 150 nM. For dsRNA compounds, 2 x 130 μ L of OPTI-MEM-1 was used. After 4 hours of treatment, the medium was replaced with fresh medium. Cells were harvested 16 hours after oligonucleotide treatment. The concentration of oligonucleotide used varies from cell line to cell line. To determine the optimal oligonucleotide concentration for a particular cell line, the cells are treated with a positive control oligonucleotide at a range of concentrations. For human cells the positive control RNase H oligonucleotide is ISIS 13920, TCCGTCATCGCTCCTCAGGG, SEQ ID NO: 1, a 2'-O-methoxyethyl gapmer (2'-O-methoxyethyls shown in bold) with a phosphorothioate backbone which is targeted to human H-ras. For mouse or rat cells the positive control oligonucleotide is ISIS 15770, ATGCATTCTGCCCCAAGGA, SEQ ID NO: 2, a 2'-O-methoxyethyl gapmer (2'-O-methoxyethyls shown in bold) with a phosphorothioate backbone which is targeted to both mouse and rat c-raf. The concentration of positive control oligonucleotide that results in 80% inhibition of H-ras (for ISIS 13920) or c-raf (for ISIS 15770) mRNA is then utilized as the screening concentration for new oligonucleotides in subsequent

* Trade-mark

experiments for that cell line. If 80% inhibition is not achieved, the lowest concentration of positive control oligonucleotide that results in 60% inhibition of H-ras or c-raf mRNA is then utilized as the oligonucleotide screening concentration in subsequent experiments for that cell line. If 60% inhibition is not achieved, that particular cell line is deemed as unsuitable for oligonucleotide transfection experiments.

Example 10: Analysis of oligonucleotide inhibition of survivin expression

Antisense modulation of survivin expression can be assayed in a variety of ways known in the art. For example, survivin mRNA levels can be quantitated by, e.g., Northern blot analysis, competitive polymerase chain reaction (PCR), or real-time PCR (RT-PCR). Real-time quantitative PCR is presently preferred. RNA analysis can be performed on total cellular RNA or poly(A)+ mRNA. Methods of RNA isolation are taught in, for example, Ausubel, F.M. et al., *Current Protocols in Molecular Biology*, Volume 1, pp. 4.1.1-4.2.9 and 4.5.1-4.5.3, John Wiley & Sons, Inc., 1993. Northern blot analysis is routine in the art and is taught in, for example, Ausubel, F.M. et al., *Current Protocols in Molecular Biology*, Volume 1, pp. 4.2.1-4.2.9, John Wiley & Sons, Inc., 1996. Real-time quantitative (PCR) can be conveniently accomplished using the commercially available ABI PRISM^{*} 7700 Sequence Detection System, available from PE-Applied Biosystems, Foster City, CA and used according to manufacturer's instructions. Other methods of PCR are also known in the art.

Survivin protein levels can be quantitated in a variety of ways well known in the art, such as immunoprecipitation, Western blot analysis (immunoblotting), ELISA or fluorescence-activated cell sorting (FACS). Antibodies directed to survivin can be identified and obtained from a variety of sources, such as the MSRS catalog of antibodies (Aerie Corporation, Birmingham, MI), or can be prepared via conventional antibody generation methods. Methods for preparation of polyclonal antisera are taught in, for example, Ausubel, F.M. et al., *Current Protocols in Molecular Biology*, Volume 2, pp. 11.12.1-11.12.9, John Wiley & Sons, Inc., 1997. Preparation of monoclonal antibodies is taught in, for example, Ausubel, F.M. et al., *Current Protocols in Molecular Biology*, Volume 2, pp. 11.4.1-11.11.5, John Wiley & Sons, Inc., 1997.

Immunoprecipitation methods are standard in the art and can be found at, for example, Ausubel, F.M. et al., *Current Protocols in Molecular Biology*, Volume 2, pp. 10.16.1-10.16.11, John Wiley & Sons, Inc., 1998. Western blot (immunoblot) analysis is standard in the art and can be found at, for example, Ausubel, F.M. et al., *Current Protocols in Molecular Biology*, Volume 2, pp. 10.8.1-10.8.21, John Wiley & Sons, Inc., 1997. Enzyme-linked immunosorbent

* Trade-mark

assays (ELISA) are standard in the art and can be found at, for example, Ausubel, F.M. et al., *Current Protocols in Molecular Biology*, Volume 2, pp. 11.2.1-11.2.22, John Wiley & Sons, Inc., 1991.

5 **Example 11: Poly(A)+ mRNA isolation**

Poly(A)+ mRNA was isolated according to Miura et al., *Clin. Chem.*, 1996, 42, 1758-1764. Other methods for poly(A)+ mRNA isolation are taught in, for example, Ausubel, F.M. et al., *Current Protocols in Molecular Biology*, Volume 1, pp. 4.5.1-4.5.3, John Wiley & Sons, Inc., 1993. Briefly, for cells grown on 96-well plates, growth medium was removed from the cells and each well was washed with 200 μ L cold PBS. 60 μ L lysis buffer (10 mM Tris-HCl, pH 7.6, 1 mM EDTA, 0.5 M NaCl, 0.5% NP-40, 20 mM vanadyl-ribonucleoside complex) was added to each well, the plate was gently agitated and then incubated at room temperature for five minutes. 55 μ L of lysate was transferred to Oligo d(T) coated 96-well plates (AGCT Inc., Irvine CA). Plates were incubated for 60 minutes at room temperature, washed 3 times with 200 μ L of wash
10 buffer (10 mM Tris-HCl pH 7.6, 1 mM EDTA, 0.3 M NaCl). After the final wash, the plate was blotted on paper towels to remove excess wash buffer and then air-dried for 5 minutes. 60 μ L of elution buffer (5 mM Tris-HCl pH 7.6), preheated to 70°C was added to each well, the plate was incubated on a 90°C hot plate for 5 minutes, and the eluate was then transferred to a fresh 96-well plate.

20 Cells grown on 100 mm or other standard plates may be treated similarly, using appropriate volumes of all solutions.

Example 12: Total RNA isolation

Total mRNA was isolated using an RNEASY* 96 kit and buffers purchased from
25 Qiagen, Inc. (Valencia, CA) following the manufacturer's recommended procedures. Briefly, for cells grown on 96-well plates, growth medium was removed from the cells and each well was washed with 200 μ L cold PBS. 100 μ L Buffer RLT was added to each well and the plate vigorously agitated for 20 seconds. 100 μ L of 70% ethanol was then added to each well and the contents mixed by pipetting three times up and down. The samples were then transferred to the
30 RNEASY 96 well plate attached to a QIAVAC* manifold fitted with a waste collection tray and attached to a vacuum source. Vacuum was applied for 15 seconds. 1 mL of Buffer RW1 was added to each well of the RNEASY 96 plate and the vacuum again applied for 15 seconds. 1 mL of Buffer RPE was then added to each well of the RNEASY 96 plate and the vacuum applied for

* Trade-mark

a period of 15 seconds. The Buffer RPE wash was then repeated and the vacuum was applied for an additional 10 minutes. The plate was then removed from the QIAVAC manifold and blotted dry on paper towels. The plate was then re-attached to the QIAVAC manifold fitted with a collection tube rack containing 1.2 mL collection tubes. RNA was then eluted by pipetting 60
5 μ L water into each well, incubating 1 minute, and then applying the vacuum for 30 seconds. The elution step was repeated with an additional 60 μ L water.

Example 13: Real-time quantitative PCR analysis of survivin mRNA levels

Quantitation of survivin mRNA levels was determined by real-time quantitative PCR
10 using the ABI PRISM 7700 Sequence Detection System (PE-Applied Biosystems, Foster City, CA) according to manufacturer's instructions. This is a closed-tube, non-gel-based, fluorescence detection system which allows high-throughput quantitation of polymerase chain reaction (PCR) products in real-time. As opposed to standard PCR, in which amplification products are quantitated after the PCR is completed, products in real-time quantitative PCR are quantitated as
15 they accumulate. This is accomplished by including in the PCR reaction an oligonucleotide probe that anneals specifically between the forward and reverse PCR primers, and contains two fluorescent dyes. A reporter dye (e.g., JOE or FAM, obtained from either Operon Technologies Inc., Alameda, CA or PE-Applied Biosystems, Foster City, CA) is attached to the 5' end of the probe and a quencher dye (e.g., TAMRA, obtained from either Operon Technologies Inc.,
20 Alameda, CA or PE-Applied Biosystems, Foster City, CA) is attached to the 3' end of the probe. When the probe and dyes are intact, reporter dye emission is quenched by the proximity of the 3' quencher dye. During amplification, annealing of the probe to the target sequence creates a substrate that can be cleaved by the 5'-exonuclease activity of Taq polymerase. During the extension phase of the PCR amplification cycle, cleavage of the probe by Taq polymerase
25 releases the reporter dye from the remainder of the probe (and hence from the quencher moiety) and a sequence-specific fluorescent signal is generated. With each cycle, additional reporter dye molecules are cleaved from their respective probes, and the fluorescence intensity is monitored at regular (six-second) intervals by laser optics built into the ABI PRISM 7700 Sequence Detection System. In each assay, a series of parallel reactions containing serial dilutions of
30 mRNA from untreated control samples generates a standard curve that is used to quantitate the percent inhibition after antisense oligonucleotide treatment of test samples.

PCR reagents were obtained from PE-Applied Biosystems, Foster City, CA. RT-PCR reactions were carried out by adding 25 μ L PCR cocktail (1x TAQMAN buffer A, 5.5 mM

MgCl₂, 300 μM each of dATP, dCTP and dGTP, 600 μM of dUTP, 100 nM each of forward primer, reverse primer, and probe, 20 Units RNase inhibitor, 1.25 Units AMPLITAQ GOLD, and 12.5 Units MuLV reverse transcriptase) to 96 well plates containing 25 μL poly(A) mRNA solution. The RT reaction was carried out by incubation for 30 minutes at 48°C. Following a 10
 5 minute incubation at 95°C to activate the AMPLITAQ GOLD, 40 cycles of a two-step PCR protocol were carried out: 95°C for 15 seconds (denaturation) followed by 60°C for 1.5 minutes (annealing/extension). Probes and primers to human survivin were designed to hybridize to a human survivin sequence, using published sequence information (GenBank accession number U75285, incorporated herein as SEQ ID NO:3). For human survivin the PCR primers were:
 10 forward primer: AAGGACCACCGCATCTCTACA (SEQ ID NO: 4)
 reverse primer: CCAAGTCTGGCTCGTTCTCAGT (SEQ ID NO: 5) and the PCR probe was: FAM-CGAGGCTGGCTTCATCCACTGCC-TAMRA (SEQ ID NO: 6) where FAM* (PE-Applied Biosystems, Foster City, CA) is the fluorescent reporter dye) and TAMRA* (PE-Applied Biosystems, Foster City, CA) is the quencher dye. For human GAPDH the PCR primers were:
 15 forward primer: GAAGGTGAAGGTCGGAGTC (SEQ ID NO: 7)
 reverse primer: GAAGATGGTGATGGGATTTC (SEQ ID NO: 8) and the PCR probe was: 5' JOE-CAAGCTTCCCGTTCTCAGCC-TAMRA 3' (SEQ ID NO: 9) where JOE (PE-Applied Biosystems, Foster City, CA) is the fluorescent reporter dye) and TAMRA (PE-Applied Biosystems, Foster City, CA) is the quencher dye.

20

Example 14: Western blot analysis of survivin protein levels

Western blot analysis (immunoblot analysis) is carried out using standard methods. Cells are harvested 16-20 hours after oligonucleotide treatment, washed once with PBS, suspended in Laemmli buffer (100 μl/well), boiled for 5 minutes and loaded on a 16% SDS-PAGE gel. Gels
 25 are run for 1.5 hours at 150 V, and transferred to membrane for western blotting. Appropriate primary antibody directed to survivin is used, with a radiolabelled or fluorescently labeled secondary antibody directed against the primary antibody species. Bands are visualized using a PHOSPHORIMAGER™ (Molecular Dynamics, Sunnyvale, CA).

30 **Example 15: Design and screening of double-stranded antisense compounds (siRNAs) targeting survivin**

In accordance with the present invention, a series of double-stranded oligomeric compounds (siRNAs) comprising the antisense compounds of the present invention and their

* Trade-mark

complements can be designed to target survivin. The nucleobase sequence of the antisense strand of the duplex comprises at least a portion of an oligonucleotide targeted to survivin as described herein. The ends of the strands may be modified by the addition of one or more natural or modified nucleobases to form an overhang. The sense strand of the dsRNA is then
 5 designed and synthesized as the complement of the antisense strand and may also contain modifications or additions to either terminus. For example, in one embodiment, both strands of the dsRNA duplex would be complementary over the central nucleobases, each having overhangs at one or both termini.

For example, a duplex comprising an antisense strand having the sequence:

10 CGAGAGGCGGACGGGACCG (SEQ ID NO: 10) and having a two-nucleobase overhang of deoxythymidine(dT) would have the following structure:

```

cgagaggcggacgggaccgTT   Antisense (SEQ ID NO:11)
TTgctctccgctgccctggc   Complement (SEQ ID NO:12)
  
```

15 As shown, this double-stranded compound represents a canonical siRNA.

In another embodiment, a duplex comprising an antisense strand having the same sequence CGAGAGGCGGACGGGACCG (SEQ ID NO: 10) may be prepared with blunt ends (no single-stranded overhang) as shown:

```

20 cgagaggcggacgggaccg   Antisense (SEQ IDNO:10)
    gctctccgctgccctggc   Complement (SEQ ID NO: 13)
  
```

As shown, this double-stranded compound represents a blunt-ended siRNA.

RNA strands of the duplex can be synthesized by methods disclosed herein or purchased from Dharmacon Research Inc., (Lafayette, CO). Once synthesized, the complementary strands
 25 are annealed. The single strands are aliquoted and diluted to a concentration of 50 uM. Once diluted, 30 uL of each strand is combined with 15uL of a 5X solution of annealing buffer. The final concentration of said buffer is 100 mM potassium acetate, 30 mM HEPES-KOH pH 7.4, and 2mM magnesium acetate. The final volume is 75 uL. This solution is incubated for 1 minute
 30 at 90°C and then centrifuged for 15 seconds. The tube is allowed to sit for 1 hour at 37°C at which time the dsRNA duplexes are used in experimentation. The final concentration of the dsRNA duplex is 20 uM. This solution can be stored frozen (-20°C) and freeze-thawed up to 5 times.

Once prepared, the duplexed antisense compounds (siRNAs) are evaluated for their ability to modulate survivin expression according to the protocols described herein.

35 *Cell Culture Conditions, Determination of IC₅₀ Values for dsRNAs In Vitro*

IC50

In vitro IC₅₀ values for dsRNAs of the present invention can be determined by contacting *in vitro* varying concentrations of dsRNAs and appropriate cell lines, tissues, or organs exhibiting pathologies associated with survivin expression or overexpression, and determining the quantitative effect(s) of these dsRNAs at such concentrations on parameters including, but not limited to, various steps, stages, or aspects of survivin pathology or pathogenesis. Representative parameters that can be studied include, for example, translation of survivin mRNAs or survivin protein synthesis; effect on surrogate markers; or any other parameter that is indicative of potential dsRNA therapeutic effectiveness that can be conveniently measured *in vitro*.

Given the state of the art, it should be possible for one of ordinary skill to either adapt currently existing cell-based assays, or develop completely novel *in vitro* assays, to determine IC₅₀ values for the dsRNAs disclosed herein without undue experimentation.

Western blots:

For western blot analysis, cells are plated in 10 cm tissue culture dishes (Falcon, #3003) at a density of 7.5×10^5 cells/dish. For RT-PCR analysis, 96-well plates (Corning Incorporated, #3596) are plated with 1×10^4 cells/well. Lipofectin (GIBCO/Invitrogen) transfection reagent is used at a concentration of 3ul/ ml OPTIMEM reduced serum medium (Gibco/Invitrogen)/100nM siRNA duplex. Lipofectin reagent is incubated with OPTIMEM medium for 30 minutes prior to the addition of siRNA. The desired amount of siRNA is added and mixed. Further 1:1 dilutions are performed in OPTIMEM. Cells are washed twice with 1X phosphate buffered saline and then treated with the siRNA/Lipofectin mixture in OPTIMEM. After a 4 hr incubation period, OPTIMEM medium is replaced with complete growth medium. Cells are harvested after additional 16-20 hrs for Western blot or RT-PCR analysis.

At the end of the incubation period culture medium is removed and cells are washed twice with PBS. Cells are lysed in RIPA buffer (20 mM Tris-HCl, pH 7.4, 5 mM EDTA, 50 mM NaCl, 10 mM Sodium Pyrophosphate, 50 mM Sodium Fluoride, and 1% Nonidet P40) plus Complete™ Mini protease inhibitor tablets (Roche, #1836153) and 1 mM Sodium orthovanadate (Sigma) by directly adding buffer to the plate. Lysates are collected by scrapping, transferred to microfuge tubes and cleared from the cellular debris by centrifugation at 14,000 rpm for 30 minutes at 4°C. Protein concentrations are determined using BCA protein assay reagents (Pierce). Total cellular protein is subjected to SDS-PAGE and transferred onto Immobilon-P* membranes (Millipore, #IPVH091). Membranes are probed with primary antibodies to survivin

* Trade-mark

(R&D Systems, #AF886) and to β -Actin (Sigma, #A5441). Horseradish peroxidase linked Anti-rabbit Ig, and anti-mouse Ig, antibodies (Pharmacia) are used as secondary antibodies. Antigen-antibody complexes are visualized by incubation of membrane in SuperSignal West Pico chemiluminescence reagents (Pierce) for 5 minutes followed by capturing of the chemiluminescence using Fluor-S^{*} imager (Biorad) equipped with the cool CCD camera. The protein bands of interest for each sample are quantified using Quantity One software (Biorad). The percentage inhibition for each samples are calculated by comparing the survivin/Actin protein ratio for the sample to survivin/Actin protein ratio for the untreated control. The IC₅₀ is derived from the non-linear regression analysis of the percentage inhibition data using GraphPad^{*} Prism software (GraphPad Software).

RNA isolation:

Total RNA is isolated using RNeasy[®] 96 kit according to recommended protocol (Qiagen). Briefly, cells are washed with 200 μ l PBS after removal of growth medium. Following washing, 100 μ l buffer RLT is added, plate is shaken vigorously for about 20 seconds. To each well 100 μ l 70% ethanol are added and mixed by pipetting up and down three times. Samples are then applied into the wells of the RNeasy 96 plate placed in the QIAvac top base of the QIAvac⁺ 96 manifold, which is attached to a vacuum source. Vacuum is applied for 30 seconds or until transfer is complete. To each well 80 μ l of DNase I incubation mix (20 mM Tris-HCl, pH 8.4, 2 mM MgCl₂, 50 mM KCl and 225 Units/ml DNase I from Invitrogen) is added and incubated at room temperature for 30 minutes. Buffer RW1 (1 ml/well) is added and the vacuum is applied for 30 seconds. Buffer RPE (1 ml/well) is added to each well and vacuum is applied for 30 seconds. Washing steps with buffer RW1 and RPE1 are repeated once more. The plate is then removed from the manifold and blotted dry on paper towels. The plate is placed back in the QIAvac manifold and the vacuum is applied for 10 minutes. To elute RNA 30 μ l of RNase-free water is added directly onto the membrane of each well, incubated for 1 minutes and vacuum is applied for 30 seconds. In order to maximize the recovery of total RNA the elution step is repeated with additional 30 μ l/well RNase-free water.

Quantitation of surviving:

Quantitation of survivin and GAPDH mRNA levels is determined by real-time quantitative RT-PCR using the ABI PRISM[®] 7900 Sequence Detection System (Applied Biosystems). RT-PCR reactions are carried out by adding 15 μ l of TaqMan⁺ One Step PCR Master Mix (Applied Biosystems, #4309169) reagents (containing 100 nM each of forward primer and reverse primer, and 200 nM probe) to 96-well plates with 10 μ l total RNA. For

* Trade-mark

human survivin, the forward PCR primer is: 5'GCACCACTTCCAGGGTTTATTC3' (SEQ ID NO: 186), and the reverse primer is: 5'TCTCCTTTCCTAAGACATTGCTAAGG3' (SEQ ID NO: 187). The survivin TaqMan® probe used is 5'(FAM)TGGTGCCACCAGCCTTCCTGTG3' (SEQ ID NO: 188) (Biosearch Technologies, Inc.). This primer-probe set, designed to SEQ ID No 14 was used for all experiments in Examples 15 to the end. For human GAPDH, TaqMan GAPDH Control Reagent Kit is used (Applied Biosystems, #402869). The percentage inhibition for each samples are calculated by comparing the survivin/GAPDH mRNA ratio for the sample to survivin/GAPDH mRNA ratio for the untreated control. The IC₅₀ is derived from the non-linear regression analysis of the percentage inhibition data using GraphPad Prism software (GraphPad Software).

Example 16: Design of phenotypic assays and *in vivo* studies for the use of survivin inhibitors

Phenotypic assays

Once active oligomeric compounds targeting survivin have been identified by the methods disclosed herein, the compounds are further investigated in one or more phenotypic assays, each having measurable endpoints predictive of efficacy in the treatment of a particular disease state or condition.

Phenotypic assays, kits and reagents for their use are well known to those skilled in the art and are herein used to investigate the role and/or association of survivin in health and disease. Representative phenotypic assays, which can be purchased from any one of several commercial vendors, include those for determining cell viability, cytotoxicity, proliferation or cell survival (Molecular Probes, Eugene, OR; PerkinElmer, Boston, MA), protein-based assays including enzymatic assays (Panvera, LLC, Madison, WI; BD Biosciences, Franklin Lakes, NJ; Oncogene Research Products, San Diego, CA), cell regulation, signal transduction, inflammation, oxidative processes and apoptosis (Assay Designs Inc., Ann Arbor, MI), triglyceride accumulation (Sigma-Aldrich, St. Louis, MO), angiogenesis assays, tube formation assays, cytokine and hormone assays and metabolic assays (Chemicon International Inc., Temecula, CA; Amersham Biosciences, Piscataway, NJ).

In one non-limiting example, cells determined to be appropriate for a particular phenotypic assay (i.e., MCF-7 cells selected for breast cancer studies; adipocytes for obesity studies) are treated with survivin inhibitors identified from the *in vitro* studies as well as control compounds at optimal concentrations which are determined by the methods described above. At

the end of the treatment period, treated and untreated cells are analyzed by one or more methods specific for the assay to determine phenotypic outcomes and endpoints.

Phenotypic endpoints include changes in cell morphology over time or treatment dose as well as changes in levels of cellular components such as proteins, lipids, nucleic acids,
5 hormones, saccharides or metals. Measurements of cellular status which include pH, stage of the cell cycle, intake or excretion of biological indicators by the cell, are also endpoints of interest.

Analysis of the genotype of the cell (measurement of the expression of one or more of the genes of the cell) after treatment is also used as an indicator of the efficacy or potency of the survivin inhibitors. Hallmark genes, or those genes suspected to be associated with a specific
10 disease state, condition, or phenotype, are measured in both treated and untreated cells.

Example 17: Modulation of Human survivin expression by double-stranded RNA (dsRNA)

In accordance with the present invention, a series of double-stranded oligomeric compounds comprising the antisense compounds of the present invention and their complements
15 thereof, were designed to target survivin mRNA. The sense strand of the dsRNA is designed and synthesized as the reverse complement of the antisense strand, a list of which is shown in Table 1. The oligomeric compounds were evaluated in HeLa cells. Culture methods used for HeLa cells are found, for example, at www.atcc.org.

For cells grown in 96-well plates, wells were washed once with 200 μ L OPTI-MEM-1™
20 reduced-serum medium (Gibco BRL) and then treated with 130 μ L of OPTI-MEM-1™ containing 12 μ g/mL LIPOFECTIN™ (Gibco BRL) and the desired dsRNA at a final concentration of 25 nM. After 5 hours of treatment, the medium was replaced with fresh medium. Cells were harvested 16 hours after dsRNA treatment, at which time RNA was isolated and target reduction measured by RT-PCR as described above.

25 The antisense sequences of the dsRNA oligomeric compounds are shown in Table 1. Prior to treatment of the HeLa cells, the dsRNA oligomers were generated by annealing the antisense and sense strands according to the method outlined in Example 16. Target sites are indicated by the first (5' most) nucleotide number, as given in the sequence source reference (Genbank accession no. NM_001168.1, incorporated herein as SEQ ID NO: 14), to which the
30 antisense strand of the dsRNA oligonucleotide binds.

All compounds in Table 1 are dsRNAs, 20 nucleotides in length with the antisense strand listed first (top strand) in the 5' to 3' orientation, and the sense strand listed second (bottom strand), also in the 5' to 3' orientation. All nucleosides are ribose and backbone linkages are

phosphate (P=O). "Target site" refers to the 5'-most position of the target region on the survivin mRNA to which the antisense strand is targeted. As such, these compounds are blunt-ended siRNAs.

Data were obtained by real-time quantitative PCR as described herein. HeLa cells were treated with double stranded oligomeric compounds (composed of antisense strands hybridized to their corresponding sense strands) targeting human survivin mRNA.

Table 1

Inhibition of human survivin mRNA levels by dsRNA oligomeric compounds

Strand	ISIS #	REGION	TARGET SITE	SEQUENCE	SEQ ID NO	%INHIB
AS	339044	coding	67	agggcugccaggcagggggc	15	ND
S	339074			gccccugccuggcagcccu	16	
AS	339045	coding	456	auccauggcagccagcugcu	17	86
S	339075			agcagcuggcugccauggau	18	
AS	339046	3'UTR	512	aaccucuggaaguggugcagc	19	28
S	339076			gcugcaccacuuccaggguu	20	
AS	339047	3'UTR	534	aggcuggggcaccagggaa	21	9
S	339077			uucccuggugccaccagccu	22	
AS	339048	3'UTR	586	auuugaaaauugauaucucc	23	86
S	339078			ggagaucaacaauuucaau	24	
AS	339049	3'UTR	605	agcacaguugaaacaucaaa	25	71
S	339079			uuagauguuucaacugugcu	26	
AS	339050	3'UTR	642	agaagcaccucuggugccac	27	51
S	339080			guggcaccagaggugcuucu	28	
AS	339051	3'UTR	756	ucccucacuucacaccuggu	29	48
S	339081			accaggugagaagugagggga	30	
AS	339052	3'UTR	780	gcaaaagggacacugccuuc	31	85
S	339082			gaaggcaguguccuuuugc	32	
AS	339053	3'UTR	815	aggcucugcccacgcgaaca	33	21
S	339083			uguucgcgugggcagagccu	34	
AS	339054	3'UTR	846	caacaugagguccagacaca	35	50
S	339084			ugugucuggaccucauguug	36	
AS	339055	3'UTR	876	aguccacacucaggacugug	37	59
S	339085			cacaguccugaguguggacu	38	
AS	339056	3'UTR	914	uaaggaaccugcagcucaga	39	86
S	339086			ucugagcugcagguuccua	40	
AS	339057	3'UTR	1030	cagggacucugucuccauuc	41	48
S	339087			gaauggagacagagucccug	42	
AS	339058	3'UTR	1070	aacaaaauaagaaagccaug	43	78
S	339088			cauggcuuucuauuuuuguu	44	
AS	339059	3'UTR	978	gcuauucugugaauuaaaa	45	65
S	339089			uuguuaauucacagaauagc	46	
AS	339060	3'UTR	1101	aguuuugucuaauucugugaa	47	85
S	339090			uucacagaauagcacaacu	48	
AS	339061	3'UTR	1130	agaauaggcuuugugcuuagu	49	48
S	339091			acuaagcacaagccaauuc	50	
AS	339062	3'UTR	1165	uccaccugaaguucaccccg	51	73
S	339092			cggggugaacuucaggugga	52	
AS	339063	3'UTR	1212	aaggaguauucgcccagacgc	53	67
S	339093			gcgucuggcagauacuccuu	54	
AS	339064	3'UTR	1232	uaaucacacagcaguggcaa	55	73
S	339094			uugccacugcugugauua	56	

AS	339065	3'UTR	1258	gugccccgcggcuacuggg	57	19
S	339095			cccagugagccgcggggcac	58	
AS	339066	3'UTR	1305	aaaggauuuaggccacugcc	59	73
S	339096			ggcaguggccuaaaucuuu	60	
AS	339067	3'UTR	1329	acagcaucgagccaagucau	61	63
S	339097			augacuuggcucgaugcugu	62	
AS	339068	3'UTR	1366	acagacacacggccugcagc	63	20
S	339098			gcugcaggccgugugucugu	64	
AS	339069	3'UTR	1394	gaacgugacagaugugaagg	65	43
S	339099			ccuucacaucugucacguuc	66	
AS	339070	3'UTR	1487	uccaucaucuuacgccagac	67	74
S	339100			gucuggcguaagaugaugga	68	
AS	339071	3'UTR	1498	ggcgaaucaaauccauc	69	57
S	339101			gaugauggauuugauucgcc	70	
AS	339072	3'UTR	1529	auccaccucgagcucuaug	71	31
S	339102			cauagagcugcaggguggau	72	
AS	339073	3'UTR	1569	gccgagaugaccuccagagg	73	50
S	339103			ccucuggaggucaucucggc	74	
AS	341881	3'UTR	584	uuugaaauguugaucucctt	75	93
S	341880			ggagaucaacauuuucaaatt	76	
AS	341883	3'UTR	1068	acaaaauaagaaagccaugt	77	80
S	341882			cauggcuuucuuuuugutt	78	
AS	341885	3'UTR	1303	aaggauuuaggccacugcctt	79	78
S	341884			ggcaguggccuaaaucuuutt	80	

All dsRNA compounds except ISIS 339046, 339047, 339053, 339065, 339068 and 339072 demonstrated over 45% inhibition of survivin expression.

In a dose-response experiment, HeLa cells were treated with 1.1, 3.3, 10 and 30 nM of the indicated oligonucleotide mixed with 3 ug/mL LIPOFECTIN per 100 nM oligonucleotide as described by other examples herein. Untreated cells served as controls. Following 16 hours of treatment, RNA was prepared from cells for subsequent real-time PCR analysis.

Human survivin mRNA expression levels were quantitated by real-time PCR and gene target quantities were normalized using Ribogreen as described in other examples herein. Data are averages from two experiments and are shown in Table 2.

The identity of the two strands of the duplex are shown separated by an underscore, with the antisense strand shown first (antisense strand_ sense strand).

Table 2

Inhibition of human survivin mRNA levels by dsRNA oligomeric compounds: dose response

Percentage of Inhibition of survivin expression in HeLa cells					
		Oligonucleotide Concentration			
Isis #		1.1 nM	3.3 nM	10 nM	30 nM
339045	339075	24	44	62	81

339048 339078	42	59	74	83
339052 339082	26	55	70	83
339056 339086	35	54	72	81
339058 339088	22	44	63	75
339060 339090	20	50	70	85

As shown in Table 2, the compounds tested inhibit human survivin mRNA expression in HeLa cells in a concentration-dependent manner.

5 Example 18: Modulation of Human survivin expression by double-stranded RNA (dsRNA) with a 5'-phosphate cap

In accordance with the present invention, a series of double-stranded oligomeric compounds comprising the antisense compounds shown in Table 1 (ISIS 339045-339073), each modified with a 5'-terminal phosphate group, and the complements thereof, were designed to target survivin mRNA. The corresponding dsRNA compounds are ISIS 341201-341229 (Table 3). The sense strand of the dsRNA was designed and synthesized as the complement of the antisense strand, a list of which is shown in Table 2. The oligomeric compounds were evaluated in HeLa cells. Culture methods used for HeLa cells are found, for example, at www.atcc.org.

For cells grown in 96-well plates, wells were washed once with 200 μ L OPTI-MEM-1™ reduced-serum medium (Gibco BRL) and then treated with 130 μ L of OPTI-MEM-1™ containing 12 μ g/mL LIPOFECTIN™ (Gibco BRL) and the desired dsRNA at a final concentration of 25 nM. After 5 hours of treatment, the medium was replaced with fresh medium. Cells were harvested 16 hours after dsRNA treatment, at which time RNA was isolated and target reduction measured by RT-PCR.

The dsRNA oligomeric compounds are shown in Table 3. Prior to treatment of the HeLa cells, the dsRNA oligomers were generated by annealing the antisense and sense strands according to the method outlined in Example 17. Target sites are indicated by the first (5' most) nucleotide number, as given in the sequence source reference (Genbank accession no. NM_001168.1, incorporated herein as SEQ ID NO: 14), to which the antisense strand of the dsRNA oligonucleotide binds.

All compounds in Table 3 are oligoribonucleotides, 20 nucleotides in length with the antisense strand shown first, and the sense strand shown second, both in the 5' to 3' direction. Compounds in Table 3 have phosphate (P=O) backbones and also comprise a terminal 5'-phosphate cap on each strand. The compounds in Table 3 are blunt-ended siRNAs.

Data were obtained by real-time quantitative PCR as described in other examples herein. HeLa cells were treated with double stranded oligomeric compounds targeting human survivin mRNA.

Table 3

5 **Inhibition of human survivin mRNA levels by dsRNA oligomeric compounds with a 5'-phosphate cap**

Strand	ISIS #	REGION	SEQUENCE	SEQ ID NO	%INHIB
AS	341201	Coding	auccauggcagccagcugcu	17	85
S	341231		agcagcuggcugccauggau	18	
AS	341202	3'UTR	aaccucuggaaguggugcagc	19	42
S	341232		gcugcaccacuuccaggguu	20	
AS	341203	3'UTR	aggcugguggcaccaggaa	21	23
S	341233		uucccuggugccaccagccu	22	
AS	341204	3'UTR	auuugaaauguugaucucc	23	84
S	341234		ggagaucaacaauuucaau	24	
AS	341205	3'UTR	agcacaguugaacaucuaa	25	78
S	341235		uuagauguuacaacugugcu	26	
AS	341206	3'UTR	agaagcaccucuggugccac	27	61
S	341236		guggcaccagaggugcuucu	28	
AS	341207	3'UTR	ucccucacuucucaccuggu	29	58
S	341237		accaggugagaagugagggga	30	
AS	341208	3'UTR	gcaaaaggacacugccuuc	31	84
S	341238		gaaggcaguguccuuuugc	32	
AS	341209	3'UTR	aggcucugcccacgcgaaca	33	33
S	341239		uguucgcgugggagagccu	34	
AS	341210	3'UTR	caacaugagguccagacaca	35	66
S	341240		ugugucuggaccucauguug	36	
AS	341211	3'UTR	aguccacacucaggacugug	37	71
S	341241		cacaguccugaguguggacu	38	
AS	341212	3'UTR	uaaggaaccugcagcucaga	39	85
S	341242		ucugagcugcagguuccua	40	
AS	341213	3'UTR	cagggacucugucuccauuc	41	52
S	341243		gauggagacagaguccug	42	
AS	341214	3'UTR	aacaaaauaagaaagccaug	43	85
S	341244		cauggcuuucuaauuuuguu	44	
AS	341215	3'UTR	gcuauucugugaauaaca	45	71
S	341245		uuguuaauucacagaauagc	46	
AS	341216	3'UTR	aguuuugucuaauucugugaa	47	85
S	341246		uucacagaauagcacaacu	48	
AS	341217	3'UTR	agauggcuuugugcuuagu	49	50
S	341247		acuaagcacaagccaauuc	50	
AS	341218	3'UTR	uccaccugaaguacccccg	51	71
S	341248		cggggugaacuucaggugga	52	
AS	341219	3'UTR	aaggagauucugccagacgc	53	65
S	341249		gcgucuggcagauacuccu	54	
AS	341220	3'UTR	uaaucacacagcaguggcaa	55	72
S	341250		uugccacugcugugauua	56	
AS	341221	3'UTR	gugccccgcggcucacuggg	57	34
S	341251		cccagugagccgcggggcac	58	
AS	341222	3'UTR	aaaggauuuaggccacugcc	59	69
S	341252		ggcaguggccuaaaucuuu	60	
AS	341223	3'UTR	acagcaucgagccaagucan	61	59

S	341253		augacuuggcucgaugcugu	62	
AS	341224	3'UTR	acagacacacggcougacgc	63	20
S	341254		gcugcaggccgugugucugu	64	
AS	341225	3'UTR	gaacgugacagaugugaagg	65	39
S	341255		ccuacacaucugucacguuc	66	
AS	341226	3'UTR	uccaucaucuacgccagac	67	73
S	341256		gucuggcguaagaugaugga	68	
AS	341227	3'UTR	ggcgaaucaaaucacauc	69	59
S	341257		gaugauggauuugauucgcc	70	
AS	341228	3'UTR	auccaccucgacgucuaug	71	46
S	341258		cauagagcugcagguggau	72	
AS	341229	3'UTR	gccgagaugaccuccagagg	73	61
S	341259		ccucuggaggucaucucggc	74	

All dsRNA compounds except ISIS 341203, 341209, 341221, 341224 and 341225 demonstrated greater than 40% inhibition of survivin expression. These data suggest that at certain target sites, double-stranded compounds with a 5' phosphate display greater potency in inhibiting survivin expression (compare Tables 1 and 3).

Example 19: Comparison of siRNA constructs targeting the same site of survivin mRNA: dose response

In accordance with the present invention, the effects of altering the sequence of ISIS 339048 on inhibition of human survivin mRNA in HeLa cells was investigated. ISIS 343867 (5'-UUUGAAAUGUUGAUCUCC-3'; SEQ ID NO:81) is the antisense strand for a blunt-ended siRNA binding to the same site on the survivin mRNA as ISIS 339048, the difference being that ISIS 343867 is a 19-mer compound which lacks the 5'-terminal adenine residue of ISIS 339048. ISIS 341881 (UUUGAAAUGUUGAUCUCCTT; SEQ ID NO:82) is the antisense strand for a canonical siRNA binding to the same site on the survivin mRNA as ISIS 339048, the difference being that ISIS 341881 contains a dTdT (deoxythymidine-deoxythymidine) at the 3'-terminus ("dTdT overhang"). ISIS 343868 has the sequence 5'-GGAGAUCACAUUUUCAAA-3' (SEQ ID NO:83), and is the sense strand corresponding to ISIS 343867. ISIS 341880 (SEQ ID NO: 84) is the sense strand corresponding to ISIS 341881. The constructs are shown in Table 4 with the antisense strand shown first followed by the sense strand, both in 5' to 3' orientation. The sequences of the survivin siRNA constructs are shown in Table 4, and the dose response results are shown in Table 5.

Table 4

siRNA constructs tested in dose response experiment in

HeLa cells for inhibition of human survivin mRNA expression

ISIS #	REGION	SEQUENCE	SEQ ID
--------	--------	----------	--------

			NO
339048	3'UTR	auugaaaauguugaucucc	23
339078		ggagaucaacauuuucaaau	24
343867	3'UTR	uuugaaaauguugaucucc	81
343868		ggagaucaacauuuucaaaa	83
341881	3'UTR	uuugaaaauguugaucucctt	82
341880		ggagaucaacauuuucaaatt	84

Table 5

Inhibition of human survivin mRNA levels by siRNA oligomeric compounds targeting the same site of survivin mRNA: dose response

5

Percentage of Inhibition of survivin expression in HeLa cells							
Isis #	SEQ ID:	Oligonucleotide Concentration (nM)					
		0.02	0.08	0.4	2.0	10	50
339048_339078	23_24	27	31	58	70	83	88
343867_343868	81_83	20	44	66	82	90	92
341881_341880	82_84	38	52	70	81	88	91

As shown in Table 5, the compounds tested inhibit human survivin mRNA expression in HeLa cells in a dose-dependent manner. ISIS 343867 and ISIS 341881 are more effective at inhibition of survivin mRNA levels at all but the lowest doses, indicating that a blunt-ended 19-mer siRNA or a canonical 21-mer siRNA with a dTdT modification at the 3'-terminus may be advantageous modifications of ISIS 339048, the original blunt-ended 20-mer siRNA.

The IC₅₀ values (nM) of these three compounds were as follows:

Blunt-ended siRNA (20-mer) 339048_339078, 0.28 nM;

Blunt-ended siRNA (19-mer) 343867_343868, 0.19 nM and

15 Canonical siRNA 341881_341880, 0.15 nM.

IC₅₀ is defined as the concentration of oligomeric compound which results in 50% inhibition of mRNA (or protein) expression compared to an untreated control. From these data, the canonical siRNA and the blunt-ended siRNA (19-mer) both performed significantly better than the blunt-ended siRNA (20-mer).

20 Additional blunt-ended constructs targeting human survivin: modified compounds:

A series of siRNA compounds targeting human survivin (GenBank accession no. NM_01168.1; SEQ ID NO: 14) were designed and are shown in Table 6 in the 5' to 3' orientation.

25

TABLE 6
siRNA compounds targeted to human survivin

Strand	ISIS#	SEQUENCE	SEQ ID NO.
AS	346272	uuugaaaanguugaucuccu	85
AS	346279	uuugaaaanguugaucuccuu	86
AS	346280	uuugaaaanguugaucuccu	85
AS	346281	uuugaaaanguugaucucc	81
AS	346282	uuugaaaanguugaucuccuu	86
AS	346283	uuugaaaanguugaucuccu	85
AS	346284	uuugaaaanguugaucucc	81
S	346286	aggagaucaacauuuucaa	87
S	346287	ggagaucaacauuuucaa	83
S	346289	aggagaucaacauuuucaa	87
S	346290	ggagaucaacauuuucaa	83
AS	346291	uuugaaaanguugaucuccuu	86
AS	346292	uuugaaaanguugaucucc	81
S	346294	aggagaucaacauuuucaa	87
S	346295	ggagaucaacauuuucaa	83
AS	346296	uuugaaaanguugaucuccu	85
AS	348310	uuugaaaanguugaucuccuu	86
AS	352505	uuugaaaanguugaucucc	81
AS	352506	uuugaaaanguugaucucc	81
AS	352507	uuugaaaanguugaucucc	81
AS	352508	uuugaaaanguugaucucc	81
AS	352509	uuugaaaanguugaucucc	81
AS	352510	uuugaaaanguugaucucc	81
S	352511	ggagaucaacauuuucaa	83
S	352512	ggagaucaacauuuucaa	83
S	352513	ggagaucaacauuuucaa	83
S	352514	ggagaucaacauuuucaa	83
AS	352515	uuugaaaanguugaucucc	81
AS	353537	uuugaaaanguugaucucc	81
AS	353538	uuugaaaanguugaucucc	81
AS	353539	uuugaaaanguugaucucc	81
AS	353540	uuugaaaanguugaucucc	81
AS	355710	uuugaaaanguugaucucc	81
AS	355711	uuugaaaanguugaucucc	81
AS	355712	uuugaaaanguugaucucc	81
AS	355713	uuugaaaanguugaucucc	81
S	355714	ggagaucaacauuuucaa	83
AS	355715	uuugaaaanguugaucucc	81
AS	355716	aauugaaaanguugaucucc	88

The modifications to the sequences in Table 6 are as follows:

- ISIS 346272: all ribose, all P=O linkages**
- ISIS 346279-346281, 346286, 346287: all P=S linkages**
- ISIS 346282-346284, 346289 and 346290: alternating P=O/P=S linkages, beginning with P=O**
- ISIS 346291, 346292, 346294, 346295 and 346296: alternating P=S/P=O linkages; beginning**
5 **with P=S**
- ISIS 348310: all ribose with P=O backbone**
- ISIS 352505: 2'-O-methylribose at positions 5, 8, 11, 14 and 17-19. P=O backbone.**
- ISIS 352506: 2'-O-methylribose at positions 6, 7, 10, 11 and 17-19. P=O backbone.**
- ISIS 352507: 2'-O-methylribose at positions 1, 3, 5, 7, 9, 11, 13, 15, 17 and 19. P=O backbone.**
- 10 **ISIS 352508: 2'-MOE at positions 5, 8, 11 and 14; 2'-O-methyl at position 17-19. P=O backbone.**
- ISIS 352509: 2'-MOE at positions 4, 9 and 18. P=O backbone.**
- ISIS 352510: 2'-MOE at positions 1, 3, 5, 7, 9, 11, 13, 15, 17 and 19. P=O backbone.**
- ISIS 352511: 2'-MOE at positions 2, 4, 6, 8, 10, 12, 14, 16, and 18. P=O backbone.**
- 15 **ISIS 352512: 2'-O-methyl at every position, P=O backbone.**
- ISIS 352513: 2'-O-methyl at positions 2-18. P=O backbone.**
- ISIS 352514: 2'-MOE at positions 2, 4, 6, 8, 10, 12, 14, 16, and 18, P=O backbone.**
- ISIS 352515: 2'-O-methylribose at positions 15-19. P=O backbone.**
- ISIS 352516: P=S linker at linkages 1-7, P=O linker at linkages 8-18.**
- 20 **ISIS 353537: 4'-thioribose at positions 1-3 and 17-19, P=O backbone.**
- ISIS 353538: 4'-thioribose at positions 3, 9, 12 and 17-19, P=O backbone.**
- ISIS 353539: 4'-thioribose at positions 1-3, 9 and 12; 2'-O-methylribose at positions 17-19, P=O backbone.**
- ISIS 353540: 4'-thioribose at positions 1-3; 2'-O-methylribose at positions 17-19, P=O**
25 **backbone.**
- ISIS 355710: 2'-ara-fluoro-2'-deoxyribose at positions 1-5; 2'-O-methylribose at positions 15-19, P=O backbone.**
- ISIS 355711: 2'-ara-fluoro-2'-deoxyribose at positions 1-5, 8, 9 and 12-16; 2'-O-methylribose at positions 6, 7, 10, 11 and 17-19, P=O backbone.**
- 30 **ISIS 355712: LNA at positions 5, 8, 11, 14, 2'-O-methyl at 17-19. P=O backbone.**
- ISIS 355713: alternating 2'-O-methylribose/2'-ara-fluoro-2'-deoxyribose, starting with 2'OMe at position 1. P=O backbone.**

ISIS 355714: alternating 2'-O-methylribose/2'-ara-fluoro-2'-deoxyribose, starting with 2'-ara-fluoro at position 1. P=O backbone.

ISIS 355715: LNA at positions 4, 9, 18. P=O backbone.

ISIS 355716: LNA at positions 1, 2, 6, 11, 20. P=O backbone.

5

Example 20: Modulation of Human survivin expression by single-stranded RNAi compounds

A series of single-stranded oligomeric compounds (asRNA) was evaluated for their ability to inhibit human survivin in human umbilical vein endothelial cells (HUVEC).

10

The sequences of the asRNA oligomeric compounds are shown in Table 7. Target sites are indicated by the first (5' most) nucleotide number, as given in the sequence source reference (Genbank accession no. NM_001168.1, incorporated herein as SEQ ID NO: 14), to which the asRNA oligonucleotide binds.

15

All compounds in Table 7 are oligoribonucleotides, 20 nucleotides in length having phosphorothioate backbone linkages throughout and a terminal phosphate on the 5p end and all are depicted in the 5' to 3' direction.

Data were obtained by real-time quantitative PCR as described in other examples herein.

Table 7

20

Inhibition of human survivin mRNA levels by asRNA oligomeric compounds

ISIS #	TARGET SITE	SEQUENCE	%INHIB	SEQ ID NO
347423	456	auccauggcagccagcugcu	55	17
347424	512	aaccuggaaguggugcage	69	19
347425	534	aggcugguggcaccaggaa	90	21
347426	568	auuugaaaugaugaucucc	60	23
347427	605	agcacaguugaacaucuaa	54	25
347428	642	agaagcaccucuggugccac	60	27
347429	756	ucccucacuucaccuggu	62	29
347430	780	gcaaaaggacacugccuuc	66	31
347431	815	aggcucugcccacggaaca	67	33
347432	846	caacaugagguccagacaca	66	35
347433	876	aguccacacucaggacugug	60	37

347434	914	uaaggaaccugcagcucaga	70	39
347435	1030	cagggacucugucuccauuc	44	41
347436	1070	aacaaaauaagaaagccaug	51	43
347437	978	gcuauucugugaauuaacaa	54	45
347438	1101	aguuugugcuauucugugaa	64	47
347439	1130	agauggcuuugugcuuagu	62	49
347440	1165	uccaccugaaguucaccccg	57	51
347441	1212	aaggaguaucugccagacgc	66	53
347442	1232	uaaucacacagcaguggcaa	66	55
347443	1258	gugccccgcggcucacuggg	54	57
347444	1305	aaaggauuuaggccacugcc	60	59
347445	1329	acagcaucgagccaagucau	53	61
347446	1366	acagacacacggccugcagc	52	63
347447	1394	gaacgugacagaugugaagg	47	65
347448	1487	uccaucaucuucgccagac	58	67
347449	1498	ggcgaaucaaauccaucauc	51	69
347450	1529	auccaccugcagcucuaug	55	71
347451	1569	gccgagaugaccuccagagg	59	73

As shown in Table 7, all asRNA compounds demonstrated at least 44% inhibition of survivin expression.

5 Example 21: Inhibition of survivin mRNA expression in HeLa cells using dsRNA constructs to human survivin

Various dsRNA constructs were tested in HeLa cells as described above using the human survivin primer probe set (SEQ IDs 186-188) to determine the effect of PS substitution on the ISIS 343867 19-mer (SEQ ID NO:81), the 339048 20-mer (SEQ ID NO: 23), and the effect of 2'-O-methyl (2'-OMe), 2'-fluoro (2'-F), 2'-O-methoxyethyl (2'-MOE) and 4'-thio (4'-S) chemistries. The results are shown in Tables 8 and 9. The first ISIS number is the antisense strand, and the second ISIS number is the sense strand.

Table 8

**Inhibition of human survivin mRNA levels by blunt-ended
siRNA algometric compounds: effect of PS substitution on 19-mer**

	Length-backbone (antisense/sense)	ISIS # (antisense 5'-3'/sense 3'-5')	%INHIB	IC50 (nM)	SEQ ID NO
A	19 PO/PO	343867 343868	89	0.19	81 83
B	20 PO/PO	339048 339078	77	1.8	23 24
C	19 PS/PS	346281 346287	76	2-20	81 83
D	19 PS/PS-PO	346281 346295	88	2-20	81 83
E	19 PS/PO-PS	346281 346290	68	2-20	81 83
F	19 PO-PS/PS	346284 346287	78	3.24	81 83
G	19 PS-PO/PS	346292 346287	77	3.17	81 83
H	19 PS-PO/PS-PO	346292 346295	88	1.6	81 83
I	19 PS-PO/PO-PS	346292 346290	94	0.13	81 83
J	19 PO-PS/PO-PS	346284 346290	91	2.0	81 83
K	19 PO-PS/PS-PO	346284 346295	78	2.9	81 83

These data illustrate that the 19-mer blunt phosphodiester siRNA is more effective at inhibiting survivin expression and has a ten fold lower IC50 than its 20-mer counterpart (compare lines A and B). Furthermore, this increased potency, as measured by IC50, is lost when the backbone linkages are replaced by full phosphorothioate linkages. However, target reduction is maintained (compare lines A and C).

It is also shown that re-introduction of phosphodiester linkages in the antisense strand in an alternating register results in recovery of the efficacy, as measured by lowered IC50 values, but not to the level of the full P=O backbone (for example, compare lines D and H).

Finally, alternating phosphodiester/phosphorothioate linkages in each strand when in opposing register (P=O in one strand opposite P=S in the other) had the greatest effect on IC50 values and expression levels, resulting in values that were better than the native optimal construct (compare lines I and A).

Table 9

Inhibition of human survivin mRNA levels by blunt-ended siRNA oligomeric compounds: effect of PS substitution on 20-mer

	Length-backbone (antisense/sense)	ISIS # (antisense 5'-3'/sense 3'-5')	%INHIB	IC50 (nM)	SEQ ID NO
A	19 PO/PO	343867 343868	89	0.19	81 83
B	20 PO/PO	339048 339078	77	1.8	23 24
C	20 PS/PS	346280 346286	88	1.5	85 87
D	20 PS/PS-PO	346280 346294	84	1.7	85 87
E	20 PS/PO-PS	346280 346289	90	2.5	85 87
F	20 PO-PS/PS	346283 346286	77	3.9	85 87
G	20 PS-PO/PS	346296 346286	86	1.8	85 87
H	20 PS-PO/PS-PO	346296 346294	86	0.85	85 87

I	20 PS-PO/PO-PS	346296 346289	97	0.13	85 87
J	20 PO-PS/PO-PS	346283 346294	86	0.53	85 87
K	20 PO-PS/PS-PO	346283 346289	86	0.83	85 87

These data suggest that, in contrast to 19-mers, blunt-ended 20-mers have greater tolerance for phosphorothioate backbone modifications in both strands with IC50 values of 20-mer full P=S being comparable to 20-mer with full P=O in both strands (compare lines B and C).

5 However, both 20 mer constructs fail to achieve the IC50 seen with the 19-mer (compare lines B and C to line A).

Surprisingly, the presence of alternating internucleoside linkages in opposite register (P=O in one strand opposite P=S in the other) was able to reduce the IC50 to that seen with the 19-mer native P=O construct (compare lines I and A).

10 *Effects of chemical modifications to the sugar*

A series of blunt-ended siRNAs were designed to investigate the effect of sugar modifications on the ability of the double-stranded compounds to inhibit expression of human survivin mRNA. The study was performed in HeLa cells as described in other examples herein and the mRNA levels determined by RT-PCR.

15 The modifications to the compounds was as follows:

ISIS 352511 comprises 2'-O-methyl modifications (underlined) at positions 2, 4, 6, 8, 10, 12, 14, 16 and 18.

ISIS 352512 comprises 2'-O-methyl modifications (underlined) at every 2' site.

20 ISIS 355714 comprises 2'-fluoro modifications (in **BOLD**) at positions 1, 3, 5, 7, 9, 11, 13, 15, 17 and 19; and 2'-O-methyl modifications at positions 2, 4, 6, 8, 10, 12, 14, 16 and 18.

ISIS 352514 comprises alternating 2'-MOE modifications positions 2, 4, 6, 8, 10, 12, 14, 16 and 18.

All other compounds were native RNA compounds. The results are shown in Table 10.

Table 10

25 **Inhibition of human survivin mRNA levels by siRNA oligomeric compounds: effect of sugar modifications**

Compound	Sequence 5'→3'	SEQ ID NO:	IC50 (nM)	% INHIB
343867	uuugaaa <u>au</u> guugaucucc	81	0.60	86
343868	ggagauca <u>aca</u> uuu <u>ca</u> aa	83		
352507	uuugaaa <u>au</u> guugaucucc	81	0.24	89
352511	ggagauca <u>aca</u> uuu <u>ca</u> aa	83		

352507	uuugaaaauguugaucucc	81	0.04	83
352512	ggagaucaacauuuucaaa	83		
355713	uuugaaaauguugaucucc	81	0.06	92
355714	ggagaucaacauuuucaaa	83		
352506	uuugaaaauguugaucucc	81	0.12	92
352514	ggagaucaacauuuucaaa	83		
352507	uuugaaaauguugaucucc	81	0.21	89
352514	ggagaucaacauuuucaaa	83		
352507	uuugaaaauguugaucucc	81	0.49	86
352514	ggagaucaacauuuucaaa	83		

These data suggest that double stranded compounds containing alternating motifs of 2'F and 2'OMe are optimal constructs for the inhibition of human survivin expression.

5 **Example 22: Dose response experiments in HeLa cells using dsRNA constructs to human survivin**

In a dose-response experiment, HeLa cells were treated with 0.02, 0.2, 2.0 and 20.0 nM of the indicated dsRNA oligonucleotide mixed with 3 µg/mL LIPOFECTIN per 100 nM oligonucleotide as described by other examples herein. Untreated cells served as controls.

10 Following 16 hours of treatment, RNA was prepared from cells for subsequent real-time PCR analysis.

Human survivin mRNA expression levels were quantitated by real-time PCR and gene target quantities were normalized using Ribogreen* as described in other examples herein. Data are averages from two experiments are shown in Table 11. The Isis number of the antisense strand is shown first, followed by the Isis number of the sense strand (antisense_sense).

Table 11

Inhibition of human survivin mRNA levels by dsRNA oligomeric compounds: dose response

Percentage of Inhibition of survivin expression in HeLa cells					
Isis #	Seq ID Nos	Oligonucleotide Concentration			
		0.02 nM	0.2 nM	2.0 nM	20.0 nM
343867 343868	81 83	0	54	14	84
355710 343868	81 83	17	72	86	71
355711 343868	81 83	29	51	20	93
355712 343868	81 83	38	63	61	92
355715 343868	81 83	40	72	75	84
355716 343868	88 83	0	18	0	41
355713 355714	81 83	23	69	86	96
346280 352511	85 83	0	0	54	77

* Trade-mark

346280_352512	85_83	0	13	56	81
352507_346287	81_83	0	31	74	89
352505_352511	81_83	5	40	65	80
352505_352513	81_83	22	41	60	81
352507_352513	81_83	17	30	67	86
339048_339078	23_24	N.D.	27	58	78
339048_346286	23_87	N.D.	29	67	82
339048_346289	23_87	N.D.	18	55	82
339048_346294	23_87	N.D.	39	65	85
346280_339078	85_24	N.D.	2	39	71
346283_339078	85_24	N.D.	41	70	83
346296_339078	85_24	N.D.	38	69	86
343867_343868	81_83	19	60	78	90
353537_343868	81_83	25	49	68	81
353538_343868	81_83	17	41	72	82
353539_343868	81_83	19	48	76	88
353540_343868	81_83	21	51	77	90

As shown in Table 11, many of the dsRNA compounds inhibited human survivin mRNA expression in HeLa cells in a dose-dependent manner.

5 **Example 23: Dose response experiments in HeLa cells using dsRNA constructs to human survivin**

In a dose-response experiment, HeLa cells were treated with 0.014, 0.04, 0.12, 0.37, 1.11, 3.33, 10 and 30 nM of the indicated dsRNA oligonucleotide mixed with 3 µg/mL LIPOFECTIN per 100 nM oligonucleotide as described by other examples herein. Untreated cells served as controls. Following 16 hours of treatment, RNA was prepared from cells for subsequent real-time PCR analysis.

Human survivin mRNA expression levels were quantitated by real-time PCR and gene target quantities were normalized using Ribogreen as described in other examples herein. Data are averages from two experiments are shown in Table 12. The Isis number of the antisense strand is shown first, followed by the Isis number of the sense strand (antisense_sense).

Table 12

Inhibition of human survivin mRNA levels by dsRNA oligomeric compounds: dose response

Percentage of Inhibition of survivin expression in HeLa cells	
	Oligonucleotide Concentration

Isis #	Seq ID No.	0.014 nM	0.04 nM	0.12 nM	0.37 nM	1.11 nM	3.33 nM	10 nM	30 nM
353537 343868	81 83	0	0	0	15	17	48	77	82
353538 343868	81 83	3	25	22	37	43	70	83	82
353539 343868	81 83	0	20	10	38	72	80	90	91
352507 352511	81 83	12	45	25	30	29	59	78	80
352507 352512	81 83	0	45	8	25	57	65	73	83
353540 343868	81 83	0	22	0	24	60	59	82	81
352506 352514	81 83	22	25	25	42	45	80	88	90
352507 352514	81 83	14	12	10	41	57	77	84	90
355713 355714	81 83	30	23	40	56	65	87	91	92

As shown in Table 12, most of the dsRNA compounds inhibited human survivin mRNA expression in HeLa cells in a dose-dependent manner.

5 **Example 24: Dose-dependent inhibition of survivin mRNA expression in U-87 MG cells**

Double-stranded compounds were tested for their ability to inhibit expression of human survivin mRNA in U-87 MG cells using the methods described above. Various dsRNA constructs targeting human survivin were tested at concentrations of 0.0019 nM, 0.0096 nM, 0.048 nM, 0.24 nM, 1.2 nM, 6.0 nM, 30.0 nM and 150.0 nM. The results are summarized in Table 13. The Isis number of the antisense strand is shown first, followed by the Isis number of the sense strand (antisense_sense).

Table 13

Dose dependent inhibition of human survivin mRNA expression with dsRNA compounds

Percentage of Inhibition of survivin expression in U-87 MG cells									
Isis #	Seq ID No.	Oligonucleotide Concentration (nM)							
		0.0019	0.0096	0.048	0.24	1.2	6.0	30	150
352506_352514	81_83	7	9	15	40	60	74	82	85
352507_352514	81_83	0	0	10	30	47	65	79	84
355713_355714	81_83	21	17	34	48	70	82	85	86
353537_343868	81_83	7	12	9	22	44	75	69	77
353538_343868	81_83	8	10	16	25	50	65	77	79
353539_343868	81_83	5	12	17	25	57	65	80	82
352507_352511	81_83	12	15	22	28	60	71	83	90

352507_3525 12	81_83	17	3	18	27	52	66	82	85
353540_3438 68	81_83	16	22	33	44	58	73	83	86
343867_3438 68	81_83	15	10	20	25	46	68	78	83
346280_3462 86	85_87	2	0	0	4	20	45	75	70
346296_3462 89	85_87	6	2	1	17	35	62	82	85

As shown in Table 13, most of the dsRNA compounds inhibited human survivin mRNA expression in U-87 MG cells in a dose-dependent manner.

5 Example 25: Inhibition of survivin by canonical siRNA oligonucleotides

A series of canonical siRNAs were designed to target human survivin. Each of the dsRNA sequences specific to survivin and depicted below contain two deoxythymidine nucleotides at the 3' terminal end of each strand of the RNA oligonucleotide duplex (not shown). Synthesis, duplex formation and purification of gene-specific siRNAs were performed by

10 Dharmacon Research Inc. In the Table, "Position" refers to the position of the gene to which the antisense strand of the dsRNA binds. Each sequence in the table is listed such that the antisense strand (top strand) is written in 5' to 3' direction; its complementary sense strand (bottom strand) is also written in the 5' to 3' direction.

Table 14

15 Canonical siRNA oligonucleotides designed to target to human survivin

Compound	Strand	SEQ ID NO	Position	Sequence (5'→3')
U1	AS	89	015-033	ucgcgggacccguuggcag
	S	90		cugccaacgggucccgca
U2	AS	91	094-112	ggaccaccgcaucucuaca
	S	92		uguagagaugcgguggucc
U3	AS	93	121-139	cuggcccuucuuggagggc
	S	94		gcccuccaagaaggccag
U4	AS	95	173-191	ggcuucauccacugcccca
	S	96		uggggcaguggaugaagcc
U5	AS	97	199-217	cgagccagacuuggccag

	S	98		cugggccaagucuggcucg
U6	AS	99	235-253	ggagcuggaaggcugggag
	S	100		cucccagccuuccagcucc
U7	AS	101	283-301	aaagcauucguccgguugc
	S	102		gcaaccggacgaaugcuuu
U8	AS	103	278-296	cauaaaaagcauucguccg
	S	104		cggacgaaugcuuuuuuug
U9	AS	105	332-350	gaauuaacccuuggugaau
	S	106		auucaccaaggguaauuc
U10	AS	107	358-376	acuggacagagaaagagcc
	S	108		ggcucuucucuguccagu
U11	AS	109	368-386	gaaagagccaagaacaaaa
	S	110		uuuuguucuggcucthuuc
U12	AS	111	372-390	gagccaagaacaaaauugc
	S	112		gcaauuuuguucuggcuc
U13	AS	113	387-405	uugcaaaggaaaccaaaa
	S	114		uuguugguuuccuugcaa
U14	AS	115	399-417	ccaacaauaagaagaaga
	S	116		ucuuucuuuuuuuugugg
U15	AS	117	409-427	gaagaaagaauuugaggaa
	S	118		uuccucaaaauucuuucuc
U16	AS	119	429-447	cugcgaagaaagugcgccg
	S	120		cggcgcacuuucucgcag
U17	AS	121	586-604	ggagaucaacuuuucaaaa
	S	122		uuugaaaauguugaucucc
U18	AS	123	618-636	cugugcuccuguuuugucu
	S	124		agacaaaacaggagcacag
U19	AS	125	642-660	guggcaccagaggugcuuc
	S	126		gaagcaccucuggugcâc
U20	AS	127	780-798	gaaggcaguguccuuuug
	S	128		caaaaggacacugccuuc
U21	AS	129	1005-1023	gaugcaugacuugugugug

	S	130		cacacacaagucaugcauc
U22	AS	131	1033-1051	uggagacagaguccuggc
	S	132		gccagggacucugucucca
U23	AS	133	1070-1088	cauggcuuucuauuuugu
	S	134		acaaaauaagaaagccaug
U24	AS	135	1094-1112	uuguuaauucacagaauag
	S	136		cuauucugugaauuaacaa
U25	AS	137	1119-1137	cuacaauuaaaacuaagca
	S	138		ugcuuaguuuuaauuguag
U26	AS	139	1030-1048	acuaagcacaagccaauuc
	S	140		gaauggcuuugugcuuagu
U27	AS	141	1198-1216	uagagugauaggaagcguc
	S	142		gacgcuuccuaucacucua
U28	AS	143	1212-1230	gcgucuggcagauacuccu
	S	144		aggaguaucugccagacgc
U29	AS	145	1303-1321	aaggcaguggccuaaaucc
	S	146		ggauuuaggccacugccuu
U30	AS	147	1305-1323	ggcaguggccuaaauccuu
	S	148		aaggauuuaggccacugcc
U31	AS	149	1329-1347	augacuuggcucgaugcug
	S	150		cagcaucgagccaagucan
U32	AS	151	1394-1412	ccuucacaucugucacguu
	S	152		aacgugacagaugugaagg
U33	AS	153	1101-1119	uucacagaauagcacaac
	S	154		guuugugcuauucugugaa
U34	AS	155	143-121	gccugcaccggagcgga
	S	156		uccgcuccgggugcaggc
U35	AS	157	078-096	cauaaaaagcauucguccg
	S	158		cggacgaugcuuuuuaug
U36	AS	159	456-474	agcagcuggcugccaugga
	S	160		uccauggcagccagcugcu
U37	AS	161	512-530	gcugcaccacuuccagggg

	S	162		accucuggaaguggugcagc
U38	AS	163	534-552	uucccuggugccaccagcc
	S	164		ggcugguggcaccagggaa
U39	AS	165	559-577	ugggccccuuagcaauguc
	S	166		gacauugcuaaggggccca
U40	AS	167	580-598	aggaaaggagaucaacauu
	S	168		aauguugaucuccuuuccu
U41	AS	169	605-623	uuagauguuuaacugugc
	S	170		gcacaguugaaacaucuaa
U42	AS	171	688-706	caguggcugcuucucucuc
	S	172		gagagagaagcagccacug
U43	AS	173	726-744	cucuuuuugcuguuuga
	S	174		ucaaaacagcaaaaugag
U44	AS	175	815-833	uguucgcgugggcagagcc
	S	176		ggcucugcccacgcgaaca
U45	AS	177	846-864	ugugucuggaccucauguu
	S	178		aacaugagguccagacaca
U46	AS	179	876-894	cacaguccugaguguggac
	S	180		guccacacucaggacugug
U47	AS	181	890-908	uggacuuggcaggugccug
	S	182		caggcaccugccaagucca
U48	AS	183	914-932	ucugagcugcagguuccuu
	S	184		aaggaaccugcagcucaga
U49	AS	185	946-964	gugccuccucagaggacag
	S	186		cuguccucugaggaggcac
U50	AS	187	972-990	guuguuguguuuuuuuuguu
	S	188		aacaaaaaacacaacaac
U51	AS	189	1130-1148	acuaagcacaagccaauuc
	S	190		gaauggcuuugucuuagu
U52	AS	191	1142-1160	gccauucuaagucauuggg
	S	192		cccaaugacuuaagauggc
U53	AS	193	1152-1170	gucauuggggaaacggggu

	S	194		accccguuucccacaugac
U54	AS	195	1165-1183	cggggugaacuucaggugg
	S	196		ccaccugaaguucaccccg
U55	AS	197	067-085	gccccugccuggcagccc
	S	198		gggcugccaggcagggggc
U57	AS	199	1435-1453	guccgccaggucacccgcu
	S	200		agcggggaccugggcggac
U58	AS	201	1487-1505	gucuggcguaagaugaugg
	S	202		ccaucacuucacgcccagac
U59	AS	203	1498-1516	gaugauggauuugaucgc
	S	204		gcgaaucaauccauc
U60	AS	205	1569-1587	ccucuggaggucaucucgg
	S	206		ccgagaugaccuccagagg
U61	AS	207	008-026	auuugaaucgcgggacccg
	S	208		cgggucccgcgauucaaau
U62	AS	209	046-064	cggcaugggugccccgacg
	S	210		cgucggggcacccaugccg
U63	AS	211	211-229	ggcccaguguuucucugc
	S	212		gcagaagaaacacugggcc
U64	AS	213	667-685	ugcagcgggugcugcuggu
	S	214		accagcagcaccgcugca
U65	AS	215	756-774	accaggugagaagugaggg
	S	216		cccucacuucucaccuggu
U66	AS	217	1232-1250	uugccacugcugugugauu
	S	218		aaucacacagcaguggcaa
U67	AS	219	1281-1299	cuggccgcuccuccucag
	S	220		cugagggaggagcggccag
U68	AS	221	1258-1276	cccagugagccgcggggca
	S	222		ugccccgcggcucacuggg
U69	AS	223	1366-1384	gcugcaggccgugugucug
	S	224		cagacacacggccucgagc
U70	AS	225	1529-1547	cauagagcugcagggugga

	S	226		uccaccucgagcucuaug
U71	AS	227	1547-1565	auuguuacagcuucgcugg
	S	228		ccagcgaagcuguaacaau
U72	AS	229	1597-1615	agaaaauaaaagccuguca
	S	230		ugacaggcuuuuuuuuuuucu

Compounds U17, U20, U23, U36, U48, and U54, when tested for inhibition of survivin mRNA using the above-described RT-PCR and quantitative Western blot assays, exhibit an IC₅₀ of less than 100 nM.

- 5 Compound U17 exhibits potent activity in both quantitative RT-PCR analysis and Western blot analysis, and is therefore especially preferred for the indications described herein.

Example 26: IC₅₀ values of additional double-stranded compounds targeting human survivin

- 10 Tables 15 and 16 summarize IC₅₀ values using various dsRNAs which were performed using the methods described herein. The constructs tested comprise the antisense strand in the 5'-3' orientation, and the sense strand in the 5' to 3' orientation. In Table 15, "D" is dose reponse (mRNA levels) and "W" is Western blot. All internucleoside linkages are phosphodiester unless otherwise noted by a lowercase "s" indicating a phosphorothioate linkage.

15

Table 15

IC₅₀ data for dsRNA constructs targeted to human survivin

siRNA Construct (antisense_sense)	Antisense Strand (5'-3') Sense Strand (5'-3')	Assay/ cell line	IC ₅₀	SEQ ID NOs
339044_339074	AGGGCUGCCAGGCAGGGGGC	W/HeLa	5.3	15_16
	GCCCCUGCCUGGCAGCCCU			
339045_339075	AUCCAUGGCAGCCAGCUGCU	W/HeLa	5.5	17_18
	AGCAGCUGGCUGCCAUGGAU			
339045_339075	AUCCAUGGCAGCCAGCUGCU	D/U-87	.68	17_18
	AGCAGCUGGCUGCCAUGGAU	MG		

339045_339075	AUCCAUGGCAGCCAGCUGCU	D/HeLa	3.3	17_18
	AGCAGCUGGCUGCCAUGGAU			
339046_339076	AACCCUGGAAGUGGUGCAGC	W/HeLa	3.5	19_20
	GCUGCACCACUUC CAGGGU			
339047_339077	AGGCUGGUGGCACCAGGGAA	W/HeLa	99.2	21_22
	UUCCCUGGUGCCACCAGCCU			
339048_339078	AUUUGAAAAUGUUGAUCUCC	W/HeLa	3.97	23_24
	GGAGAUCAACA UUUUCAAAU			
339048_339078	AUUUGAAAAUGUUGAUCUCC	D/HeLa	0.42	23_24
	GGAGAUCAACA UUUUCAAAU			
339048_339078	AUUUGAAAAUGUUGAUCUCC	D/HeLa	0.28	23_24
	GGAGAUCAACA UUUUCAAAU			
339048_339078	AUUUGAAAAUGUUGAUCUCC	D/HeLa	0.28	23_24
	GGAGAUCAACA UUUUCAAAU			
339048_339078	AUUUGAAAAUGUUGAUCUCC	D/U-87 MG	0.34	23_24
	GGAGAUCAACA UUUUCAAAU			
339048_339078	AUUUGAAAAUGUUGAUCUCC	D/HeLa	1.24	23_24
	GGAGAUCAACA UUUUCAAAU			
339048_346286	AUUUGAAAAUGUUGAUCUCC	D/HeLa	0.40	23_40
	AsGsGsAsGsAsUsCsAsAsCsAsUsUsUs UsCsAsAsA			
339048_346289	AUUUGAAAAUGUUGAUCUCC	D/HeLa	0.96	23_46
	AGsGAsGAsUCsAAsCAsUUsUUsCAs AA			
339048_346294	AUUUGAAAAUGUUGAUCUCC	D/HeLa	0.24	23_87
	AsGGsAGsAUsCAsACsAUUsUUsUCsA AsA			
339049_339079	AGCACAGUUGAAACAUCUAA	W/HeLa	6.12	25_26
	UUAGAUGUUUCAACUGUGCU			
339050_339080	AGAAGCACCUCUGGUGCCAC	W/HeLa	100	27_28

	GUGGCACCAGAGGUGCUUCU			
339051_339081	UCCUCACUUCUCACCUUGU	W/HeLa	100	29_30
	ACCAGGUGAGAAGUGAGGGA			
339052_339082	GCAAAAGGGACACUGCCUUC	W/HeLa	100	31_32
	GAAGGCAGUGUCCCUUUUGC			
339052_339082	GCAAAAGGGACACUGCCUUC	D/U-87 MG	1.15	31_32
	GAAGGCAGUGUCCCUUUUGC			
339052_339082	GCAAAAGGGACACUGCCUUC	D/HeLa	2.41	31_32
	GAAGGCAGUGUCCCUUUUGC			
339053_339083	AGGCUCUGCCCACGCGAACA	W/HeLa	99.6	33_34
	UGUUCGCGUGGGCAGAGCCU			
339054_339084	CAACAUGAGGUCCAGACACA	W/HeLa	100	35_36
	UGUGUCUGGACCUCAUGUUG			
339055_339085	AGUCCACACUCAGGACUGUG	W/HeLa	100	37_38
	CACAGUCCUGAGUGUGGACU			
339056_339086	UAAGGAACCUGCAGCUCAGA	W/HeLa	7.5	39_40
	UCUGAGCUGCAGGUUCCUUA			
339056_339086	UAAGGAACCUGCAGCUCAGA	D/U-87 MG	0.51	39_40
	UCUGAGCUGCAGGUUCCUUA			
339056_339086	UAAGGAACCUGCAGCUCAGA	D/HeLa	1.72	39_40
	UCUGAGCUGCAGGUUCCUUA			
339057_339087	CAGGGACUCUGUCUCCAUC	W/HeLa	100	41_42
	GAAUGGAGACAGAGUCCUG			
339058_339088	AACAAAUAAGAAAGCCAUG	W/HeLa	7.23	43_44
	CAUGGCUUUCUUAUUUUGUU			
339058_339088	AACAAAUAAGAAAGCCAUG	D/HeLa	2.96	43_44
	CAUGGCUUUCUUAUUUUGUU			
339059_339089	GCUAUUCUGUGAAUUAACAA	W/HeLa	6.41	45_46
	UUGUAAAUUCACAGAAUAGC			

339060_339090	AGUUUGUGCUAUUCUGUGAA	W/HeLa	4.43	47_48
	UUCACAGAAUAGCACAAACU			
339060_339090	AGUUUGUGCUAUUCUGUGAA	D/HeLa	3.38	47_48
	UUCACAGAAUAGCACAAACU			
339061_339091	AGAAUGGCUUUGUGCUUAGU	W/HeLa	100	48_50
	ACUAAGCACAAAGCCAUCUCU			
339062_339092	UCCACCUGAAGUUCACCCCG	W/HeLa	65.2	51_52
	CGGGGUGAACUUCAGGUGGA			
339062_339092	UCCACCUGAAGUUCACCCCG	D/HeLa	1.80	51_52
	CGGGGUGAACUUCAGGUGGA			
339063_339093	AAGGAGUAUCUGCCAGACGC	W/HeLa	6.2	53_54
	GCGUCUGGCAGAUACUCCUU			
339064_339094	UAAUCACACAGCAGUGGCAA	W/HeLa	5.45	55_56
	UUGCCACUGCUGUGUGAUUA			
339065_339095	GUGCCCCGCGGCUCACUGGG	W/HeLa	94.2	57_58
	CCCAGUGAGCCGCGGGGCAC			
339066_339096	AAAGGAUUUAGGCCACUGCC	W/HeLa	1.72	59_60
	GGCAGUGGCCUAAAUCCUUU			

Table 16

IC50 values for dsRNA to human survivin

dsRNA (antisense_sense)	SEQ ID NOS:	IC50 (nM) mRNA
352505_343868	81_83	0.88
352505_346287	81_83	2.2
352505_352512	81_83	0.39
352505_352514	81_83	1.3
352506_346287	81_83	0.23
352506_352511	81_83	0.11
352506_352512	81_83	0.23

352506_352513	81_83	0.43
352507_346287	81_83	0.8
352515_343868	81_83	0.29
353537_352512	81_83	1.5
353537_352513	81_83	1.5
353537_352514	81_83	1.6
355710_343868	81_83	0.1
346280_352514	85_83	N.D.
343867_346295	81_83	N.D.
346280_339078	85_24	N.D.
346280_343868	85_83	N.D.
346281_343868	81_83	N.D.
339048_346286	23_87	N.D.
343867_346287	81_83	N.D.
353537_343868	81_83	0.18
353538_343868	81_83	0.16
353539_343868	81_83	0.13
353540_343868	81_83	0.11
346284_346287	81_83	3.24
352506_352514	81_83	0.12
352507_352512	81_83	0.04
352507_352514	81_83	0.21
352507_352511	81_83	0.24
352506_343868	81_83	0.16
355713_355714	81_83	0.06

Example 27: Measurement of antitumor activity in a human glioblastoma xenograft tumor model

5 One or more of the oligomeric compounds described herein, including dsRNA compounds, is tested for antitumor activity in an animal model known in the art. Two such animal models are (1) U-87MG human glioblastoma xenograft tumor model (Kiaris H, Schally AV, Varga JL, Antagonists of growth hormone-releasing hormone inhibit the growth of U-

87MG human glioblastoma in nude mice Neoplasia. 2000 May-Jun;2(3):242-50), and (2) a YUSAC-2 human melanoma xenograft tumor model (Grossman D, Kim PJ, Schechner JS, Altieri DC, Inhibition of melanoma tumor growth in vivo by survivin targeting. Proc Natl Acad Sci U S A. 2001 Jan 16;98(2):635-40). A total of 10 CD1 nu/nu (Charles River) mice is used for each group. For implantation, tumor cells are trypsinized, washed in PBS and resuspended in PBS at 6×10^7 cells/ml (U-87MG) and at 4×10^7 cells/ml (YUSAC-2) in DMEM. Just before implantation, animals are irradiated (450 TBI) and cells are mixed in Matrigel (1:1). A total of 6×10^6 (U-87MG) and at 4×10^6 (YUSAC-2) tumor cells in a 0.2 ml volume are injected subcutaneously (s.c.) in the left rear flank. Treatment with the test oligomeric compound (dissolved in 0.9% NaCl, injection grade), or a mismatch control oligonucleotide (dissolved in 0.9% NaCl) or vehicle (0.9% NaCl) is started 3 days post tumor cell implantation. Compounds are administered intraperitoneally (i.p.) and intravenously (i.v.) for U-87MG and YUSAC-2 studies respectively in a 0.2 ml volume every other day for a total of about 12 doses for the U-87MG study and about 13 doses for the YUSAC-2 study. Tumor length and width are measured twice a week, and tumor volume is calculated using the formula: Tumor volume = $(L \times W^2) \times 0.536$. Tumor volumes are plotted against days post tumor implantation for each treatment group.

Treatment with one or more of the oligomeric compounds delays human glioblastoma and melanoma tumor growth when compared with tumor bearing animals treated with vehicle or 25 mg/kg mismatch control oligonucleotide.

Example 28: Stability of alternating 2'-O-methyl/2'-fluoro siRNA constructs in mouse plasma

Intact duplex RNA was analyzed from diluted mouse-plasma using an extraction and capillary electrophoresis method similar to those previously described (Leeds, J.M., et al., 1996, *Anal. Biochem.*, 235, 36-43; Geary, R.S., et al., 1999, *Anal. Biochem.*, 274, 241-248. Heparin-treated mouse plasma, from 3-6 month old female Balb/c mice (Charles River Labs) was thawed from -80 °C and diluted to 25% (v/v) with phosphate buffered saline (140 mM NaCl, 3 mM KCl, 2 mM potassium phosphate, 10 mM sodium phosphate). Approximately 10 nmol of pre-annealed siRNA, at a concentration of 100 μ M, was added to the 25% plasma and incubated at 37 °C for 0, 15, 30, 45, 60, 120, 180, 240, 360, and 420 minutes. Aliquots were removed at the indicated time, treated with EDTA to a final concentration of 2 mM, and placed on ice at 0 °C until analyzed by capillary gel electrophoresis (Beckman P/ACE MDQ-UV* with eCap* DNA Capillary

* Trade-mark

tube). The area of the siRNA duplex peak was measured and used to calculate the percent of intact siRNA remaining. Adenosine triphosphate (ATP) was added at a concentration of 2.5 mM to each injection as an internal calibration standard. A zero time point was taken by diluting siRNA in phosphate buffered saline followed by capillary electrophoresis. Percent intact siRNA was plotted against time, allowing the calculation of a pseudo first-order half-life. Results are shown in Table 18.

Table 17

Stability of alternating 2'-O-methyl/2'-fluoro blunt siRNA constructs in mouse plasma

Construct	SEQ ID	Stability (t _{1/2} in hours)
353537 343868	81 83	3
355713 355714	81 83	>4

10 ISIS 353538, the antisense strand contains 4' thio modifications at positions 3, 8, 11, 17-19 and is paired with a sense RNA strand which is unmodified.

ISIS 355713, the antisense strand contains alternating 2'O-methyl/2'F modifications to the sugar and is paired with a sense strand having alternating 2'F/2'O-methyl modifications. The alternate modifications are in opposing register with the antisense strand being modified with 2'Ome at position 1 while the sense strand is modified with 2'F at position 1. It is evident that the alternating 2'-O-methyl/2'-fluoro construct remains relatively unchanged and is stable in serum.

Various modifications of the invention, in addition to those described herein, will be apparent to those skilled in the art from the foregoing description. Such modifications are also intended to fall within the scope of the appended claims.

DEMANDES OU BREVETS VOLUMINEUX

**LA PRÉSENTE PARTIE DE CETTE DEMANDE OU CE BREVETS
COMPREND PLUS D'UN TOME.**

CECI EST LE TOME 1 DE 2

NOTE: Pour les tomes additionels, veuillez contacter le Bureau Canadien des Brevets.

JUMBO APPLICATIONS / PATENTS

**THIS SECTION OF THE APPLICATION / PATENT CONTAINS MORE
THAN ONE VOLUME.**

THIS IS VOLUME 1 OF 2

NOTE: For additional volumes please contact the Canadian Patent Office.

Claims

1. A chemically modified or unmodified double-stranded oligonucleotide that is 19-23 nucleobases in length,
5 wherein a first strand of the oligonucleotide has at least 19 contiguous nucleobases of SEQ ID NO: 17,
and wherein a second strand of the oligonucleotide is 100% complementary to the first strand.
- 10 2. The oligonucleotide of Claim 1 which is blunt-ended or canonical.
3. The oligonucleotide of Claim 1 or 2 comprising at least one chemical modification to a sugar, nucleobase, or internucleoside linkage.
- 15 4. The oligonucleotide of Claim 3 wherein each chemical modification to the sugar is a 2' modification.
- 20 5. The oligonucleotide of Claim 4 wherein each 2' sugar modification is independently selected from the group consisting of 2'-O-methoxyethyl (2'-MOE), 2'-O-methyl, locked nucleic acid (LNA) and 2'-fluoro.
6. The oligonucleotide of Claim 3 wherein the chemical modification to the sugar is a 4' thio.
- 25 7. The oligonucleotide of any one of Claims 3-6 comprising at least one internucleoside linkage modification.
8. The oligonucleotide of Claim 7 comprising mixed phosphorothioate and phosphodiester linkages.
- 30 9. The oligonucleotide of Claim 1 comprising a conjugate.

10. A pharmaceutical composition comprising the oligonucleotide of any one of Claims 1-9 and a pharmaceutically acceptable carrier or diluent.

11. Use of an oligonucleotide of any one of Claims 1-9, for the manufacture of
5 a medicament for the treatment of hepatocellular cancer, breast cancer, colon cancer, prostate cancer, lung cancer, bladder cancer, ovarian cancer, renal cancer, glioblastoma, pancreatic cancer or non-Hodgkin's lymphoma.

12. Use of an oligonucleotide of any one of Claims 1-9, for the treatment of
10 hepatocellular cancer, breast cancer, colon cancer, prostate cancer, lung cancer, bladder cancer, ovarian cancer, renal cancer, glioblastoma, pancreatic cancer or non-Hodgkin's lymphoma.

13. The oligonucleotide of Claim 9 wherein the conjugate group is selected
15 from cholesterol, lipid, phospholipid, biotin, phenazine, thioether, aliphatic chain, polyamine, polyethylene glycol chain, folate, phenanthridine, anthraquinone, acridine, fluoresceins, rhodamines, coumarins, Cy3, Alexa, aspirin, warfarin phenylbutazone, ibuprofen, suprofen, fenbufen, ketoprofen, (S)- (+)-pranoprofen, carprofen, dansylsarcosine, 2,3,5-triiodobenzoic acid, flufenamic acid, folic acid, a
20 benzothiadiazide, chlorothiazide, a diazepine, indomethicin, a barbiturate, a cephalosporin, a sulfa drug, an antidiabetic, an antibacterial or an antibiotic.

14. The oligonucleotide of Claim 13 wherein the conjugate group is selected
from cholic acid, hexyl-S-tritylthiol, a thiocholesterol, dodecandiol, undecyl residues, di-
25 hexadecyl-rac-glycerol, triethylammonium 1,2-di-O-hexadecyl-rac-glycero-3-H-phosphonate, adamantane acetic acid, palmityl, octadecylamine, or hexylamino-carbonyl-oxcholesterol.