



US00D810656S

(12) **United States Design Patent** (10) **Patent No.:** **US D810,656 S**  
**Baker** (45) **Date of Patent:** **\*\* Feb. 20, 2018**

(54) **KICK MAT**

OTHER PUBLICATIONS

- (71) Applicant: **Ross Baker Consulting Co. Inc.**,  
Byron Center, MI (US)
- (72) Inventor: **Ross Baker**, Byron Center, MI (US)
- (73) Assignee: **Ross Baker Consulting Co. Inc.**,  
Byron Center, MI (US)
- (\*\*) Term: **15 Years**

Google Images. Google Search for "Headrest hooks" on Oct 12, 2016. Link: [https://www.google.com/search?q=headrest+hooks&biw=1366&bih=638&source=Inms&tbn=isch&sa=X&ved=0ahUKEwjkyY87\\_QAhVO0GMKHRo7BbsQ\\_AUIBygC](https://www.google.com/search?q=headrest+hooks&biw=1366&bih=638&source=Inms&tbn=isch&sa=X&ved=0ahUKEwjkyY87_QAhVO0GMKHRo7BbsQ_AUIBygC).  
Online Listing: Shunwei Car Seat Headrest Hanging Hooks found on Oct. 12, 2016 Link: <http://www.dx.com/p/shunwei-sd-2504-car-seat-headrest-hanging-hooks-black-2-pcs-183135#>.  
WAUxvOArLIU.

(21) Appl. No.: **29/585,469**

\* cited by examiner

(22) Filed: **Nov. 23, 2016**

*Primary Examiner* — Katrina A Betton

(51) **LOC (11) Cl.** ..... **12-16**

(74) *Attorney, Agent, or Firm* — Reem Allos

(52) **U.S. Cl.**

USPC ..... **D12/416**

(57) **CLAIM**

(58) **Field of Classification Search**

USPC ..... D12/415-420, 400, 195, 191, 106, 345,  
D12/96, 99; D6/611

The ornamental design for a kick mat, as shown and described.

CPC ..... B60R 7/043

See application file for complete search history.

**DESCRIPTION**

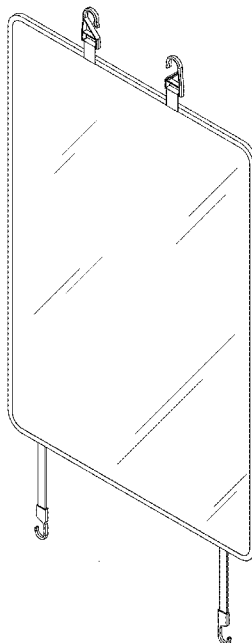
(56) **References Cited**

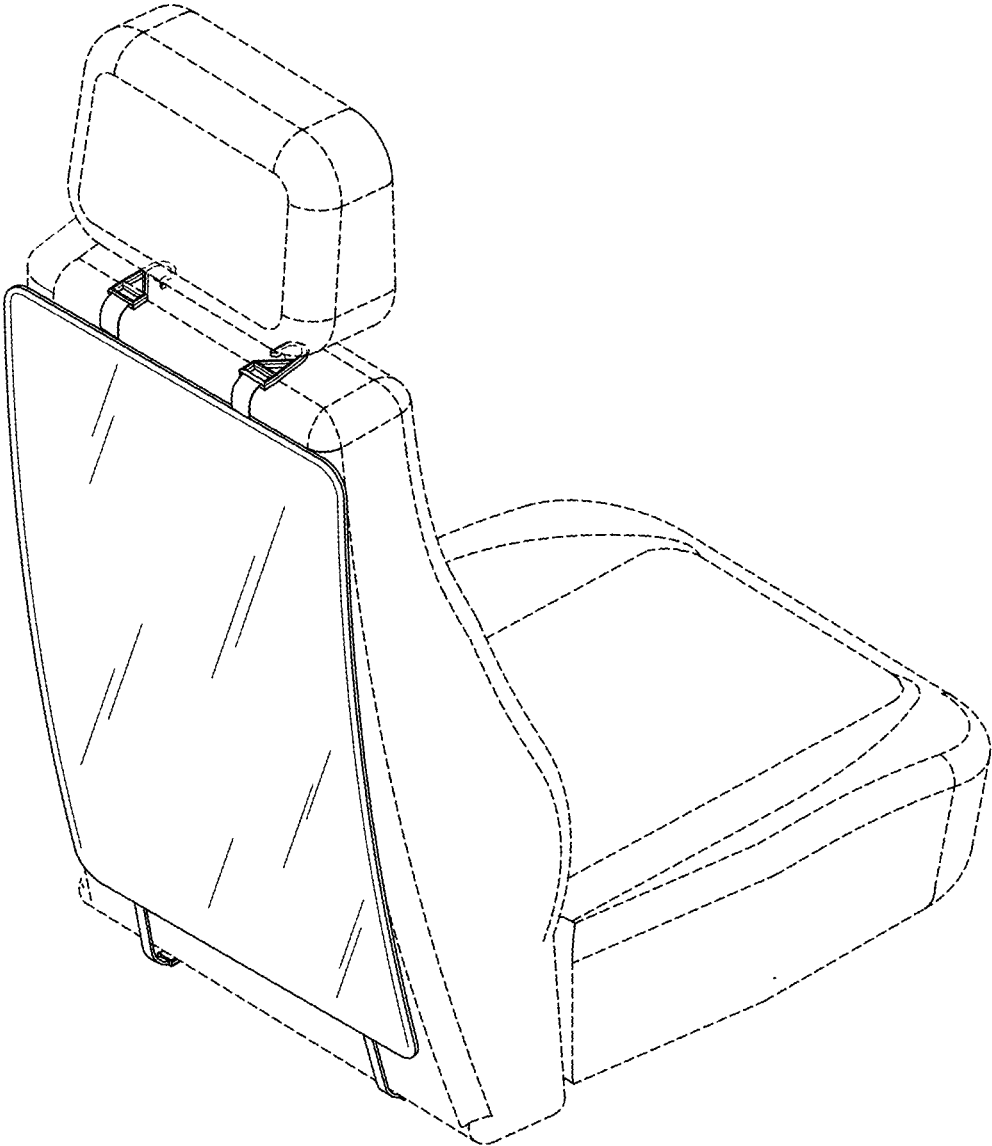
FIG. 1 is a front perspective view of the kick mat showing an embodiment of the new design;  
FIG. 2 is a top view thereof;  
FIG. 3 is a left side view thereof;  
FIG. 4 is a front view thereof;  
FIG. 5 is a right side view thereof;  
FIG. 6 is a bottom side view thereof; and,  
FIG. 7 is an isometric back view thereof.  
The broken line disclosure found in FIG. 1 is understood to be for illustrative purposes only and forms no part of the claimed design.

**U.S. PATENT DOCUMENTS**

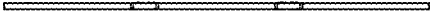
D506,434	S	*	6/2005	Ling	.....	D12/416
D515,497	S	*	2/2006	Watson	.....	D12/416
D532,510	S	*	11/2006	Pickett	.....	D23/411
D538,220	S	*	3/2007	Eskandry	.....	D12/416
D539,037	S	*	3/2007	Bergh	.....	D12/416
D654,424	S	*	2/2012	Vadala	.....	D12/416
D658,568	S	*	5/2012	Currier	.....	D12/416
8,556,338	B1		10/2013	Gore et al.		
D771,546	S	*	11/2016	Dall'Era	.....	D12/416
D782,957	S	*	4/2017	Dall'Era	.....	D12/416
D784,908	S	*	4/2017	Kalchuri	.....	D12/416

**1 Claim, 3 Drawing Sheets**





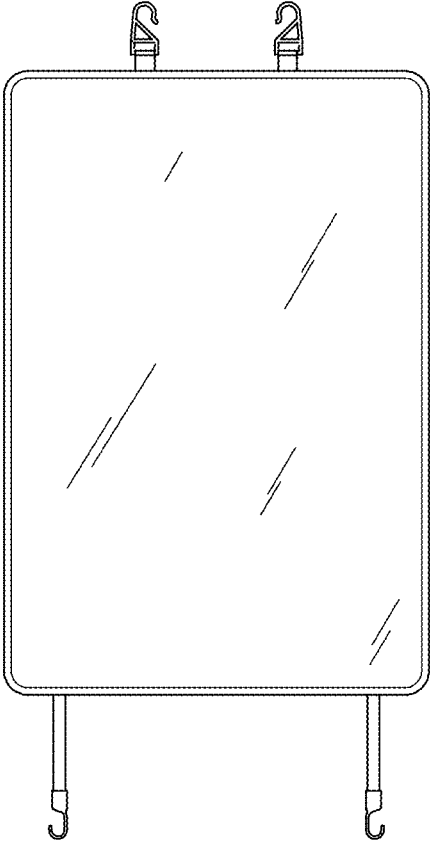
**Fig. 1**



**Fig. 2**



**Fig. 3**



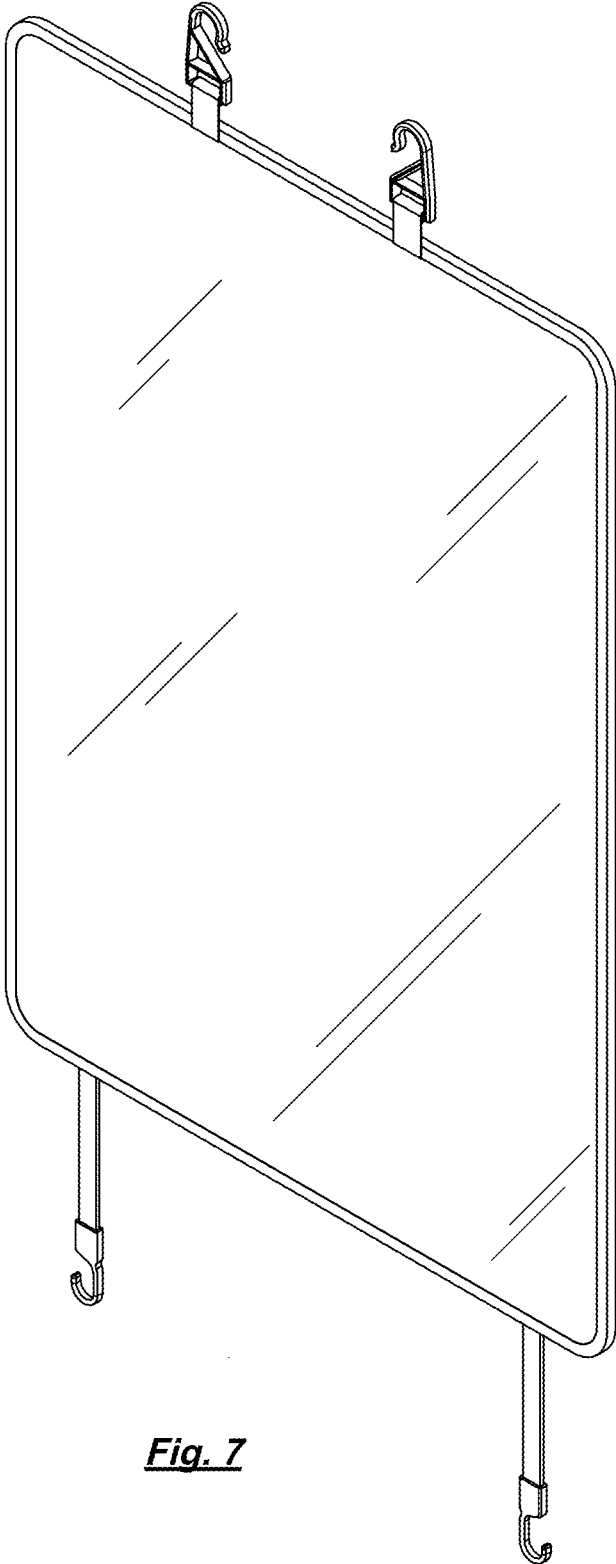
**Fig. 4**



**Fig. 5**



**Fig. 6**



***Fig. 7***