



(12) **United States Design Patent**  
**Hsu**

(10) **Patent No.:** **US D1,000,267 S**  
(45) **Date of Patent:** **\*\* Oct. 3, 2023**

(54) **CONTAINER**

FOREIGN PATENT DOCUMENTS

(71) Applicant: **L&F PLASTICS, CO., LTD.**, Miaoli County (TW)

CN 306347822 \* 2/2021  
RU 00090257 \* 10/2014

(72) Inventor: **Mu-Chuan Hsu**, Miaoli County (TW)

OTHER PUBLICATIONS

(73) Assignee: **L&F PLASTICS, CO., LTD.**, Miaoli County (TW)

Stackable Pull-Out Drawer Organizer. Date first available: 2023. Site visited: Mar. 27, 2023. Available online: <https://mdesignhomedecor.com/products/stackable-plastic-drawers-12-8-6-asm-33621> (Year: 2023).\*

(\*\*) Term: **15 Years**

(Continued)

(21) Appl. No.: **29/783,313**

*Primary Examiner* — Catherine S Posthauer

(22) Filed: **May 12, 2021**

*Assistant Examiner* — Joan E. Diehl

(30) **Foreign Application Priority Data**

(74) *Attorney, Agent, or Firm* — MILLEN, WHITE, ZELANO & BRANIGAN, P.C.; William Nixon; Wan-Ching Montfort

Nov. 18, 2020 (TW) ..... 109306433

(51) **LOC (14) CL.** ..... **09-03**

(52) **U.S. CL.**  
USPC ..... **D9/414**

(58) **Field of Classification Search**

USPC ..... D9/414-416, 418-420, 424, 425, 426, D9/430-434, 455, 456, 499; D3/201, D3/272, 273, 294-296, 297; D21/682, D21/684, 694; D6/705

CPC ... B65D 5/00; B65D 5/02; B65D 5/18; B65D 5/20; B65D 2543/00222; A45C 11/00; A47B 67/04; A47B 87/0284

See application file for complete search history.

(57) **CLAIM**

The ornamental design for a container, as shown and described.

**DESCRIPTION**

FIG. 1 is a top front perspective view of a container, shown in an open state, showing our new design; FIG. 2 is a front view thereof; FIG. 3 is a rear view thereof; FIG. 4 is a right side view thereof and the left side view being a mirror image; FIG. 5 is a top view thereof; FIG. 6 is a bottom view thereof; FIG. 7 is a bottom rear perspective view thereof; and, FIG. 8 is top front perspective view thereof showing the container in a closed state. The dashed broken lines in the figures show portions of the container that form no part of the claimed design.

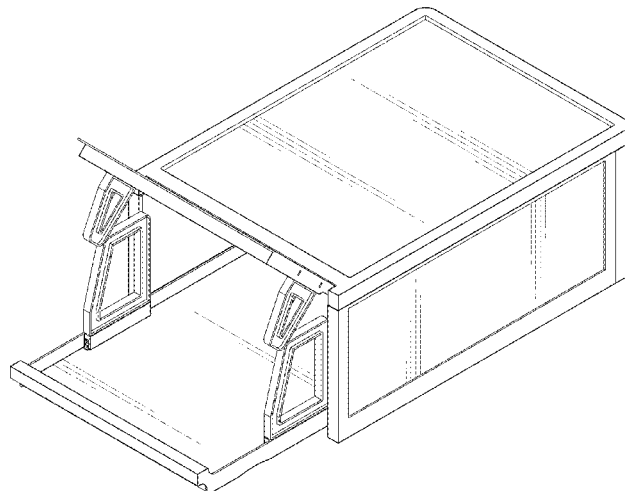
(56) **References Cited**

U.S. PATENT DOCUMENTS

D539,138 S *	3/2007	Mittelstaedt	.....	D3/294
D708,875 S *	7/2014	McNamara	.....	D6/705
D740,563 S *	10/2015	Yamamoto	.....	D3/297
D785,328 S *	5/2017	Yamamoto	.....	D3/297
D841,327 S *	2/2019	Hsu	.....	D3/297
D842,096 S *	3/2019	Hsu	.....	D9/432
D848,739 S *	5/2019	Hsu	.....	D3/297
D855,987 S *	8/2019	Yamamoto	.....	D3/297
D941,581 S *	1/2022	Yamashiro	.....	D3/294

(Continued)

**1 Claim, 8 Drawing Sheets**



(56)

**References Cited**

U.S. PATENT DOCUMENTS

2005/0122008 A1\* 6/2005 Atwood ..... A47F 3/005  
312/117

OTHER PUBLICATIONS

Iris USA, 6qt Plastic Storage Modular Stacking Drawers. Date first available: Jan. 7, 2023. Site visited: Mar. 27, 2023. Available online: <https://www.walmart.com/ip/IRIS-USA-6QT-Plastic-Storage-Modular-Stacking-Drawers-Set-of-2-Elephant-Gray/1094214134> (Year: 2023).\*

Clear Acrylic Box with Sliding Top. Date first available: Jan. 17, 2018. Site visited: Mar. 27, 2023. Available online: <https://www.shoppopdisplays.com/11367/clear-acrylic-box-with-sliding-top.html> (Year: 2018).\*

\* cited by examiner

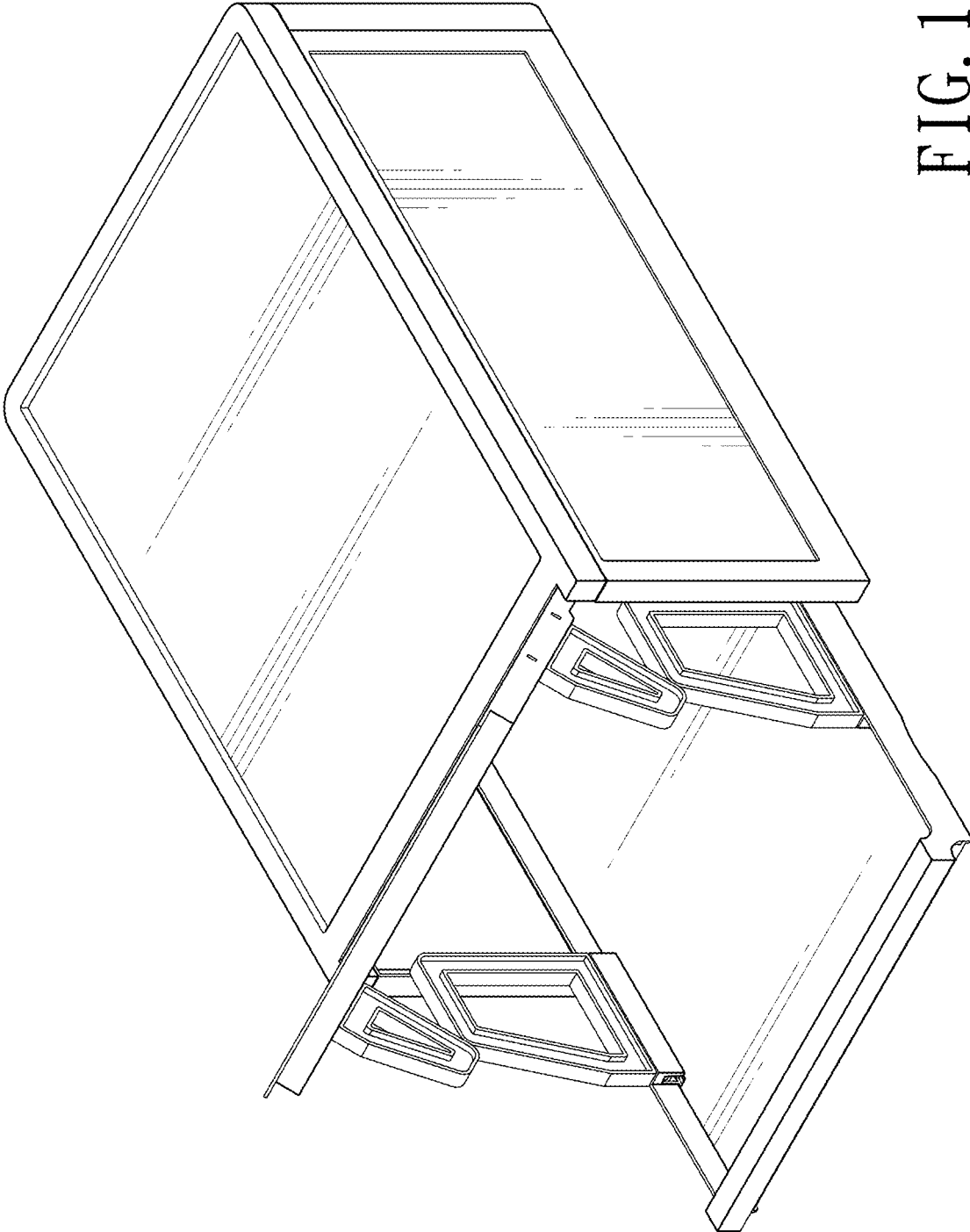


FIG. 1

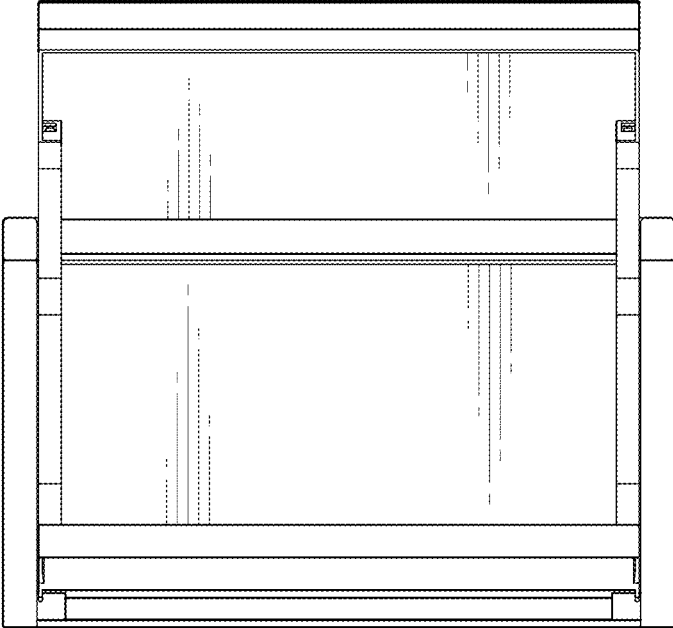


FIG. 2

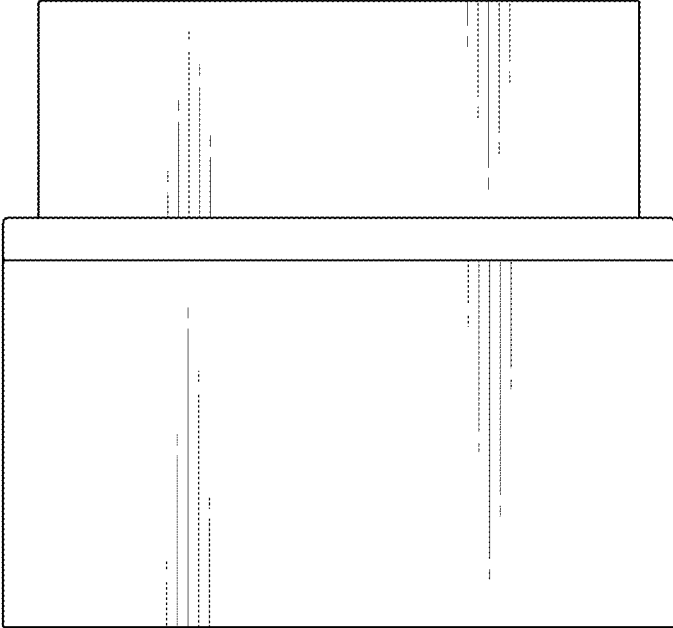


FIG. 3

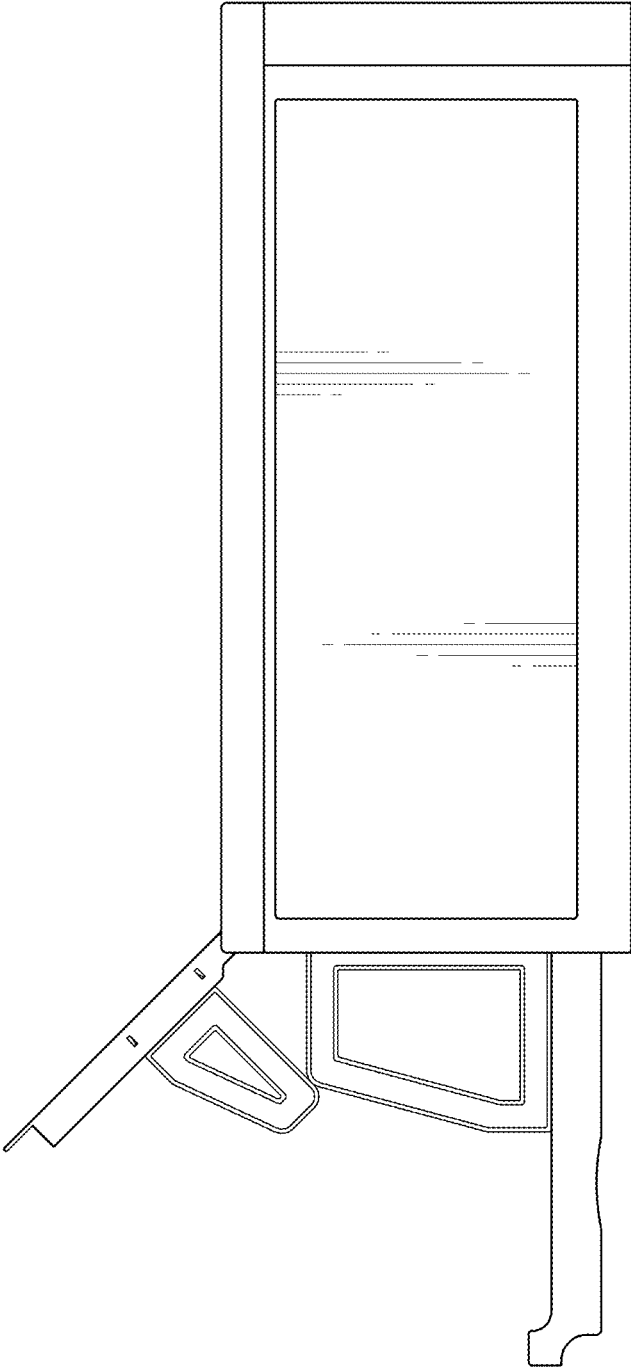


FIG. 4

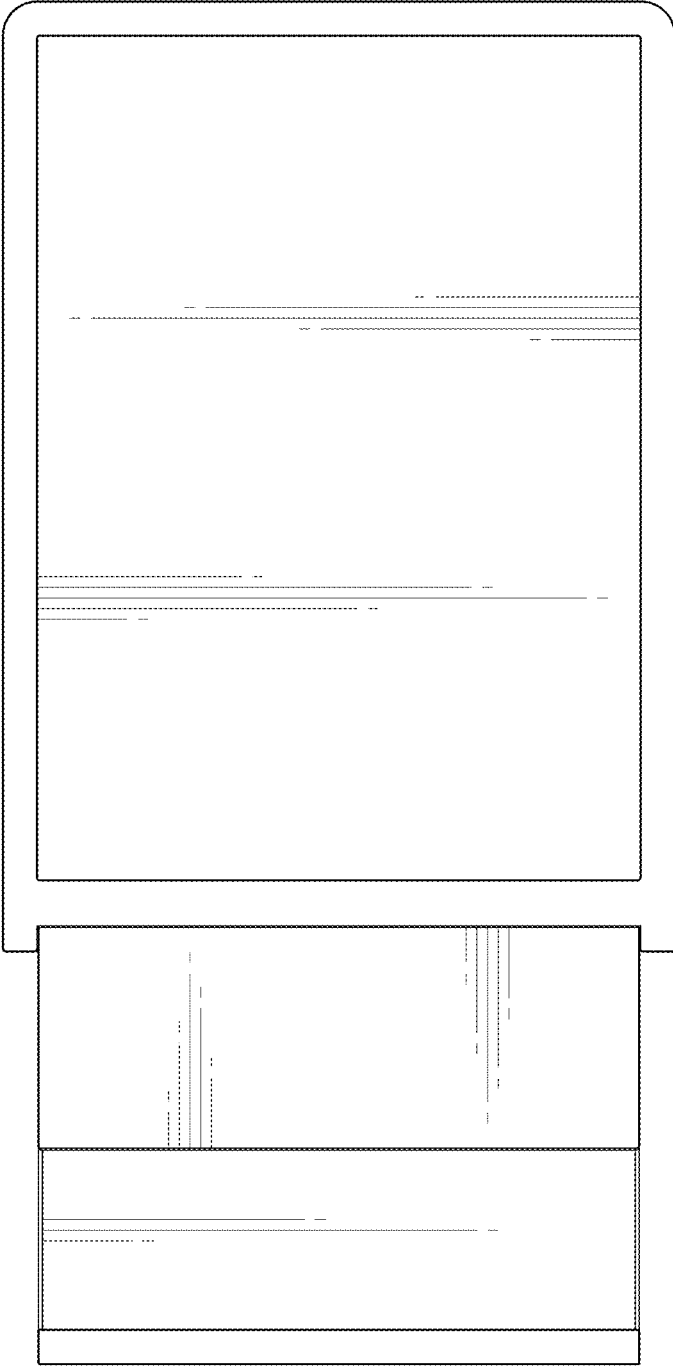


FIG. 5

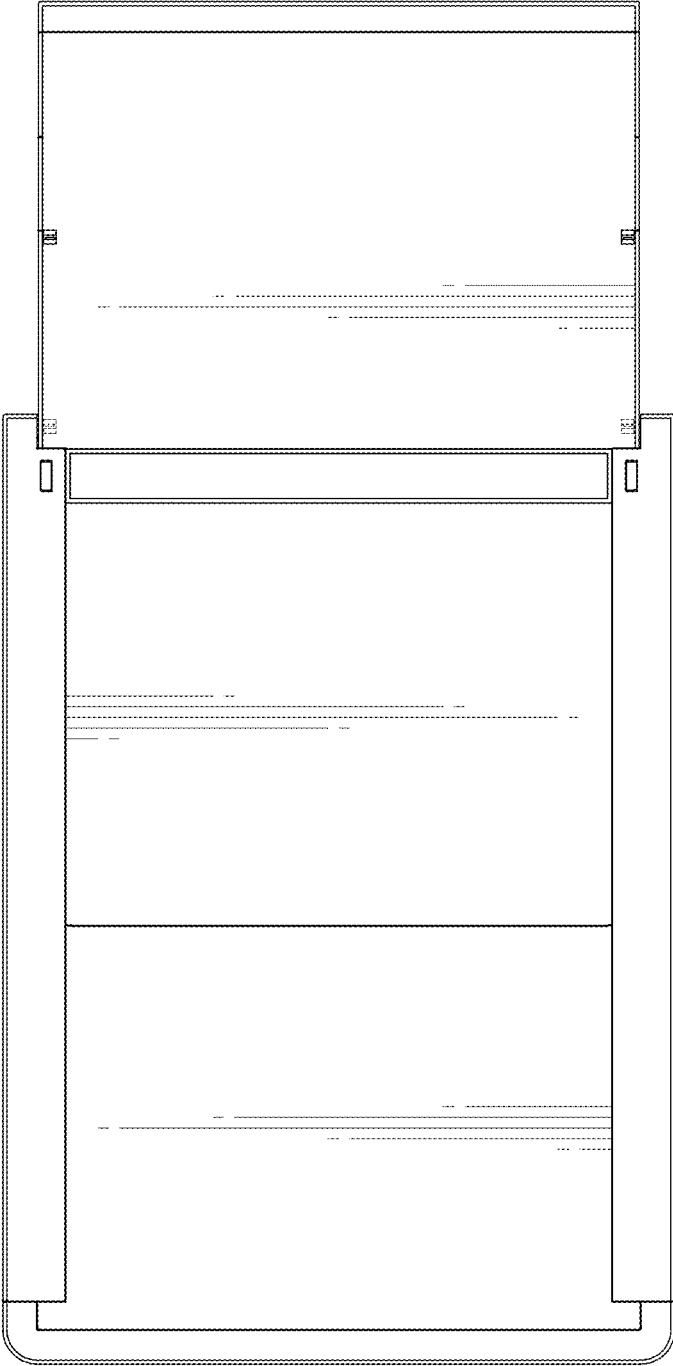


FIG. 6



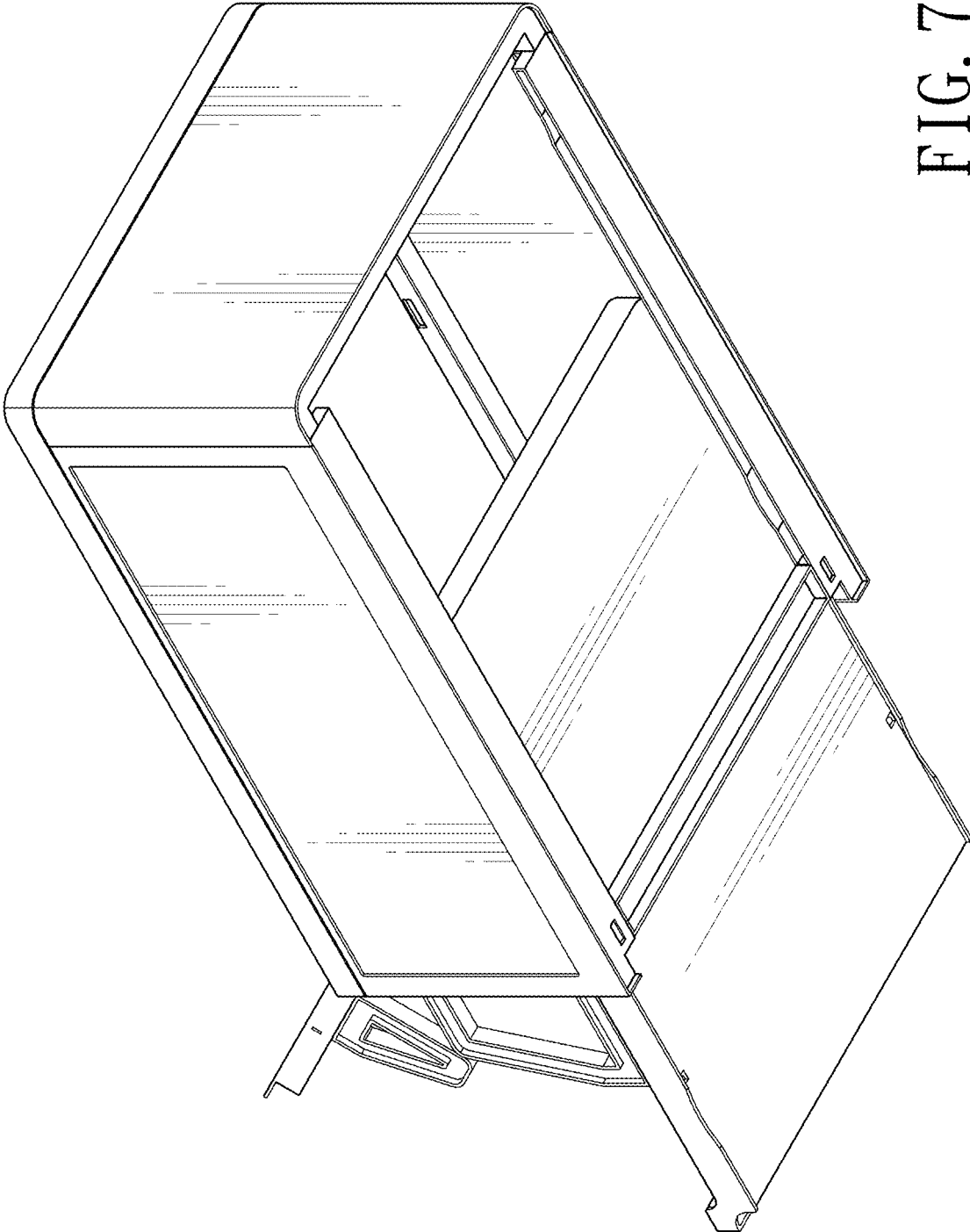


FIG. 7

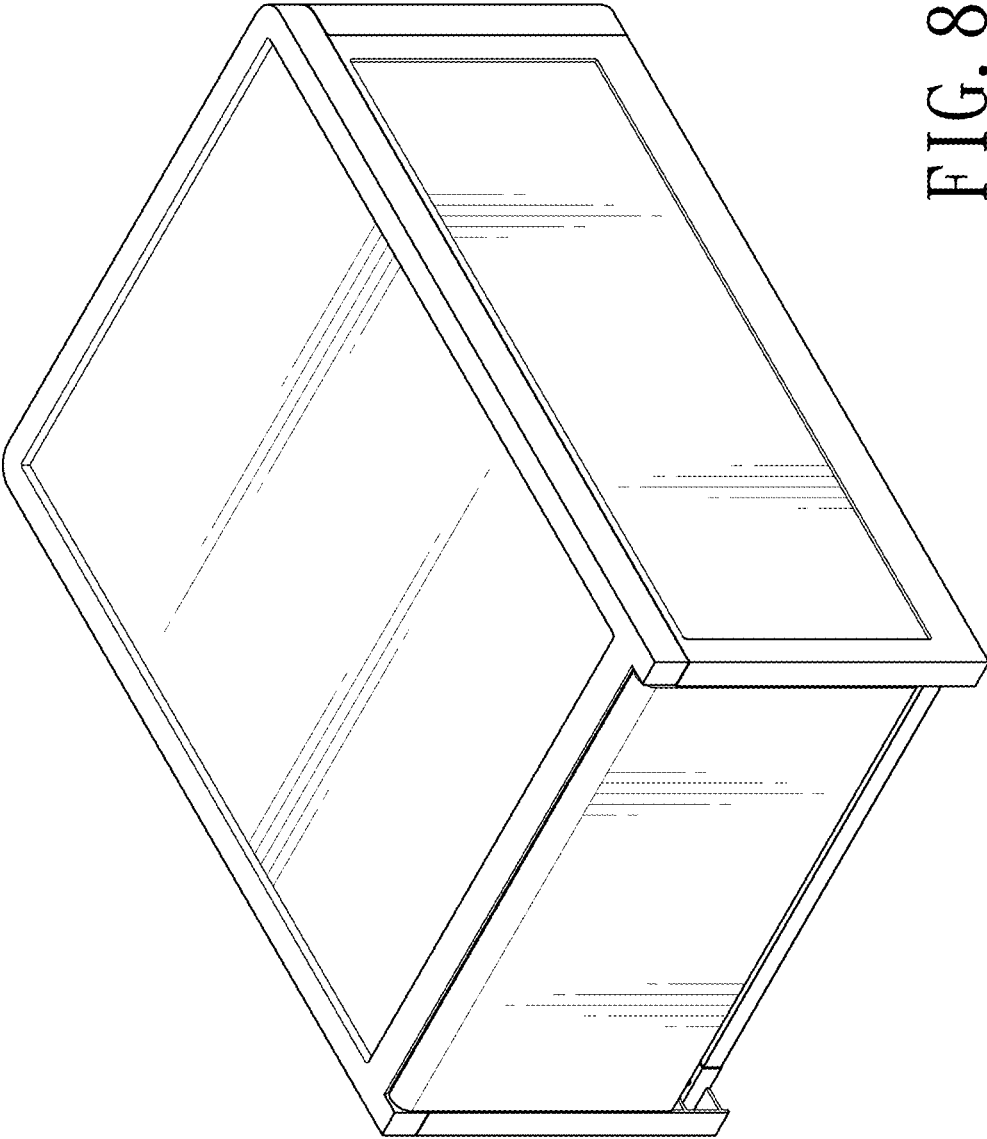


FIG. 8