



US00D372064S

United States Patent [19] del Barrio

[11] Patent Number: **Des. 372,064**

[45] Date of Patent: ****Jul. 23, 1996**

[54] **GOLF SWING CONTROL STRAP**

[76] Inventor: **Ron del Barrio**, 1560 N. Laural Ave.
#217, Los Angeles, Calif. 90046

[**] Term: **14 Years**

[21] Appl. No.: **38,361**

[22] Filed: **May 4, 1995**

[52] U.S. Cl. **D21/234**

[58] Field of Search D21/234; 273/165,
273/187.2, 188 R, 189 R

5,174,575 12/1992 Leith et al. 273/187.2
 5,221,089 6/1993 Barrett 273/187.2
 5,248,146 9/1993 Viets et al. 273/166 X
 5,295,690 3/1994 Johnson 273/187.2
 5,320,354 6/1994 Vasquez 273/187.2

Primary Examiner—Terry A. Wallace
Assistant Examiner—Cheri Cohen
Attorney, Agent, or Firm—Cislo & Thomas

[57] **CLAIM**

The ornamental design for a golf swing control strap, as shown and described.

DESCRIPTION

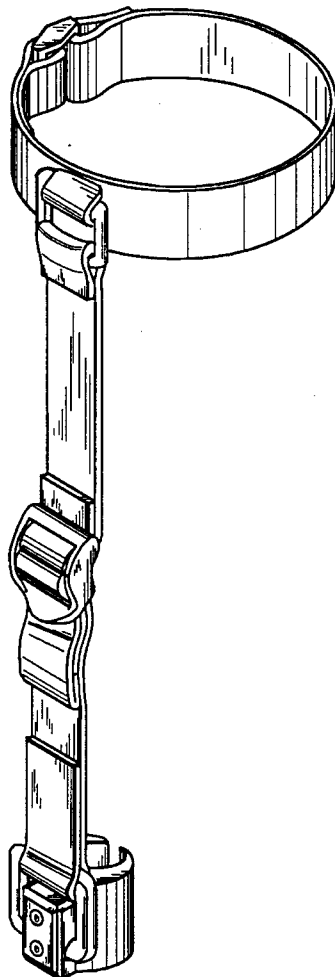
FIG. 1 is a perspective view of my new design for a golf swing control strap;
 FIG. 2 is a right side elevational view thereof;
 FIG. 3 is a left side elevational view thereof;
 FIG. 4 is a bottom plan view thereof;
 FIG. 5 is a top plan view thereof;
 FIG. 6 is a front elevational view thereof; and,
 FIG. 7 is a rear elevational view thereof.

1 Claim, 2 Drawing Sheets

[56] **References Cited**

U.S. PATENT DOCUMENTS

3,554,554	1/1971	Zane	273/165
3,858,881	1/1975	Hurwitz	273/29 A
3,861,688	1/1975	Butler	273/187.2
3,951,416	4/1976	Koch et al.	273/187.2
4,023,812	5/1977	Lorang	273/186.2
4,892,317	1/1990	Corder, Jr.	273/187.2
5,005,833	4/1991	Groveman et al.	273/29 A
5,042,811	8/1991	D'Amico	273/165
5,116,057	5/1992	Mangiarcina	273/187.2
5,170,508	12/1991	Kawada	2/161.4



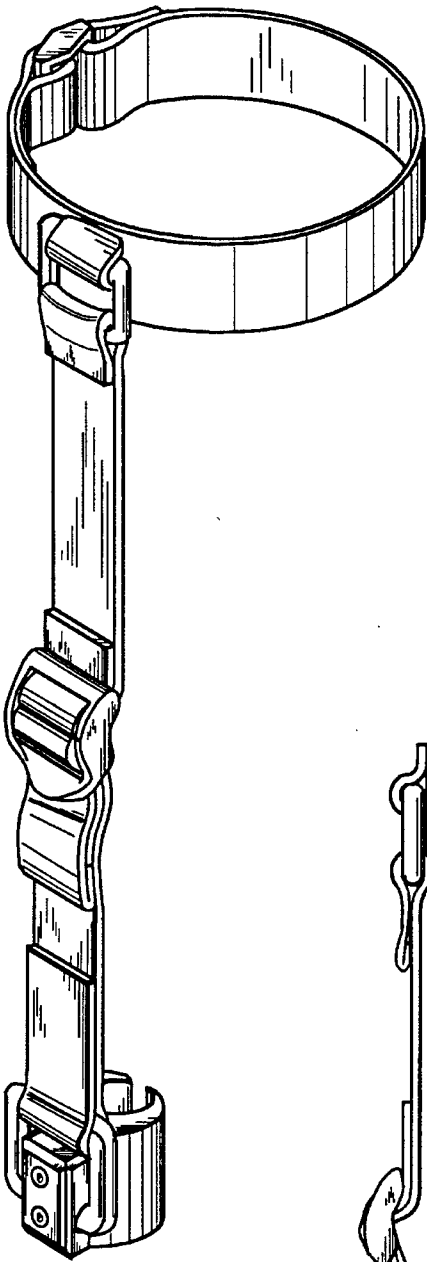


FIG. 1.

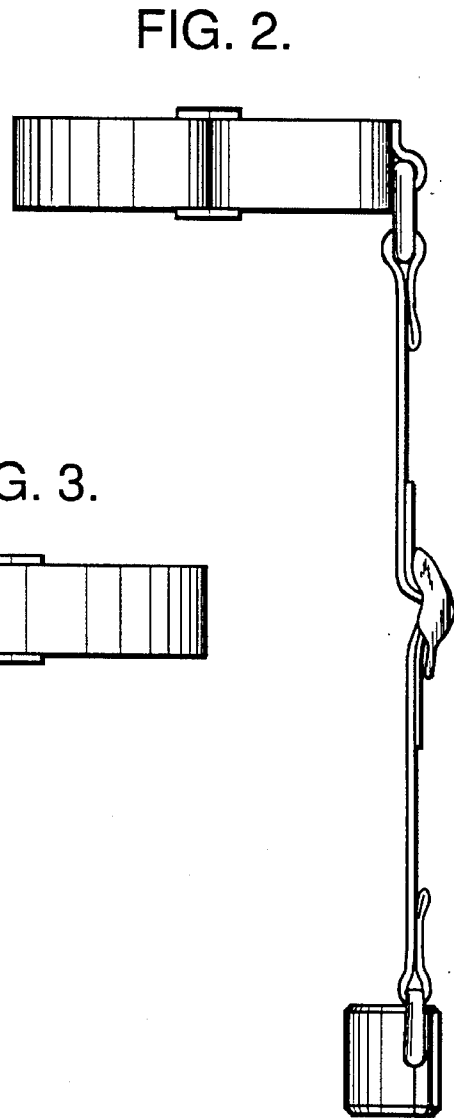


FIG. 2.

FIG. 3.

FIG. 4.

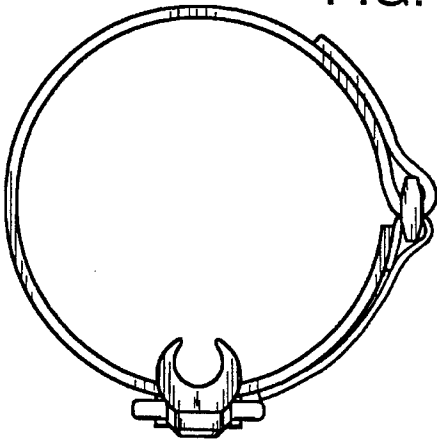


FIG. 5.

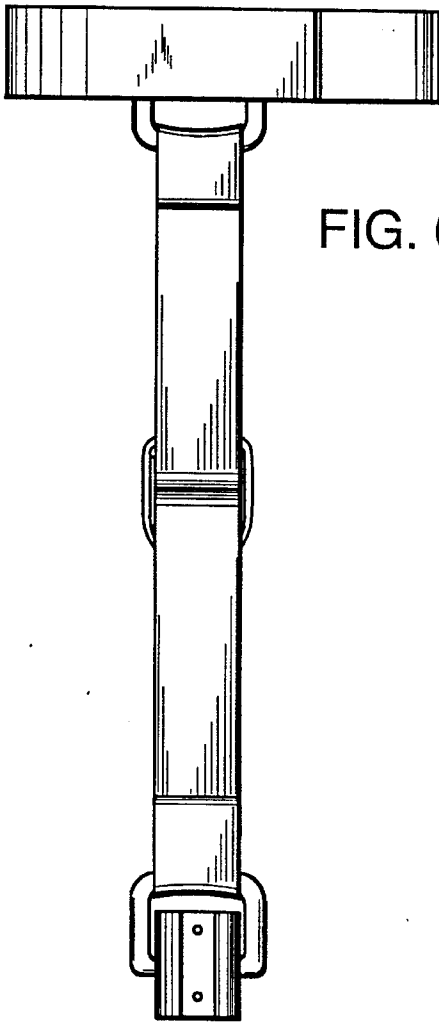
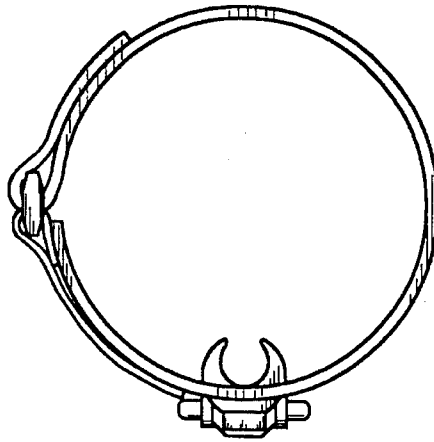


FIG. 6.

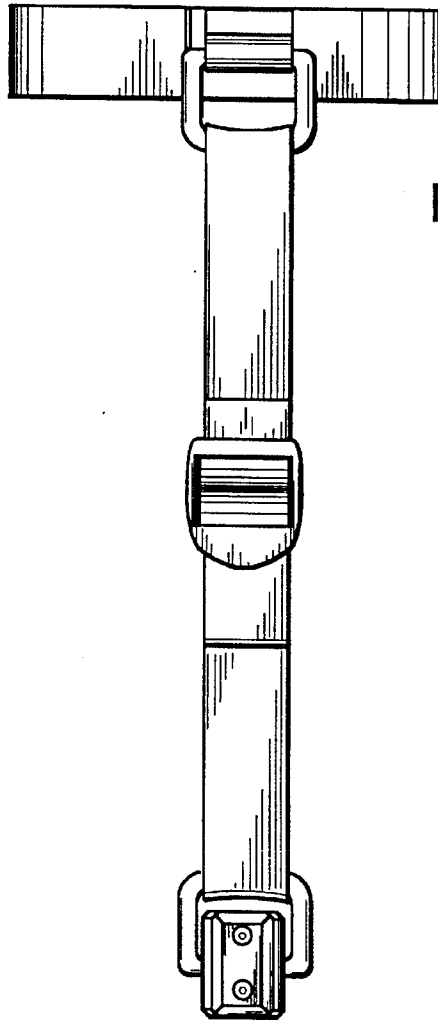


FIG. 7.