



US00D770118S

(12) **United States Design Patent** (10) **Patent No.:** **US D770,118 S**
Neumann (45) **Date of Patent:** **** Oct. 25, 2016**

(54) **HAND-HELD CLEANING UTENSIL COUPLING**

FOREIGN PATENT DOCUMENTS

(71) Applicant: **Easy Do Products Ltd**, London (GB)

EM 000093521-0002 * 2/2004
EM 001016711-0002 * 11/2008

(72) Inventor: **Paul Neumann**, London (GB)

(Continued)

(73) Assignee: **Easy Do Products Ltd** (GB)

OTHER PUBLICATIONS

(**) Term: **14 Years**

Easy-Do Dishmatic and 6 Replacement Heads, website copyright 2016, [site visited Jun. 9, 2016 7:13:48 PM], <http://housecleaningsupplies.co.uk/index.php?app=gbu0&ns=prodshow&ref=EDDRH>.*

(21) Appl. No.: **29/513,003**

(Continued)

(22) Filed: **Dec. 24, 2014**

(30) **Foreign Application Priority Data**

Primary Examiner — John Windmuller

Assistant Examiner — John R Yeh

Jul. 1, 2014 (EM) 002494518-0004

(74) *Attorney, Agent, or Firm* — Alex Hobson

(51) **LOC (10) Cl.** **04-01**

(57) **CLAIM**

(52) **U.S. Cl.**

The ornamental design for a hand-held cleaning utensil coupling, as shown and described.

USPC **D32/45**

(58) **Field of Classification Search**

DESCRIPTION

USPC D4/114, 118, 132, 138; D32/40–46
CPC A47L 13/17; A47L 17/04; A47L 1/08;
A47L 13/22; A46B 11/0013; B65D 47/42;
B43K 23/008

FIG. 1 is a front perspective view of the hand-held cleaning utensil coupling with a removable sponge and a removable handle attached to the hand-held cleaning utensil coupling; FIG. 2 is a right side view of the hand-held cleaning utensil coupling;

See application file for complete search history.

FIG. 3 is a left side view of the hand-held cleaning utensil coupling;

(56) **References Cited**

U.S. PATENT DOCUMENTS

D252,250 S * 7/1979 Hobbs D32/45
D267,282 S * 12/1982 Gross D32/51
D330,788 S * 11/1992 Berti D32/45
5,454,659 A * 10/1995 Vosbikian A47L 17/04
401/140
D387,704 S * 12/1997 Berti D32/45
6,425,701 B1 * 7/2002 Jacobs A46B 11/0013
401/206
D475,483 S * 6/2003 Angeletta D28/7
D484,705 S * 1/2004 Dotterman D32/42
D493,962 S * 8/2004 Dotterman D32/45
D501,607 S * 2/2005 Hay D4/114

FIG. 4 is a top-down view of the hand-held cleaning utensil coupling;

FIG. 5 is a bottom-up view of the hand-held cleaning utensil coupling;

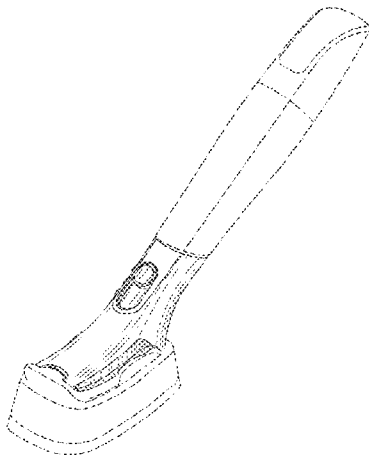
FIG. 6 is a front view of the hand-held cleaning utensil coupling; and,

FIG. 7 is a back view of the hand-held cleaning utensil coupling.

The sponge and handle shown in FIGS. 1-7 are shown in broken lines and are for the purpose of illustrating environmental structure and form no part of the claimed design.

(Continued)

1 Claim, 7 Drawing Sheets



(56)

References Cited

OTHER PUBLICATIONS

U.S. PATENT DOCUMENTS

D502,301	S	*	2/2005	Hay	D32/52
D511,626	S	*	11/2005	Hay	D32/45
7,040,830	B2	*	5/2006	Kliegman A46B	11/0013 401/187
D524,547	S	*	7/2006	Hay	D4/127
D549,411	S	*	8/2007	McNeeley	D32/40
D550,416	S	*	9/2007	Berti	D32/45
D554,314	S	*	10/2007	Kubes	D32/45
D565,846	S	*	4/2008	Holcomb	D4/114
D605,821	S	*	12/2009	Shaanan	D32/35
D606,269	S	*	12/2009	Treeby	D32/40
D660,006	S	*	5/2012	Li	D32/51
D685,549	S	*	7/2013	Wong	D32/40
D690,481	S	*	9/2013	Roehm	D32/40
D709,260	S	*	7/2014	Molinet	D32/40

FOREIGN PATENT DOCUMENTS

GB	1014470	*	2/1984
GB	2096964	*	2/2001

Amazon.com: Dawn 437918 Poly Dishwand with Scrubber, review date Dec. 3, 2014, http://www.amazon.com/Dawn-437918-Poly-Dishwand-Scrubber/dp/B00BE02NUA/ref=sr_1_9?ie=UTF8&qid=1464392413&sr=8-9&keywords=sponge+handle#customerReviews, site visited [May 27, 2016 7:45:16 PM].*

Amazon.com: OXO Good Grips Soap Dispensing Dish Scrub review date Jul. 20, 2006, https://www.amazon.com/...0009J4YA4/ref=pd_sim_sbs_201_2?ie=UTF8&dpID=31vAVF8xytL&dpSrc=sims&preST=_AC_UL160_SR160%2C160_&refRID=6SDM3Q1HZQA396Y8D1YJ, [site visited Jun. 9, 2016 8:19:37 PM].*

* cited by examiner

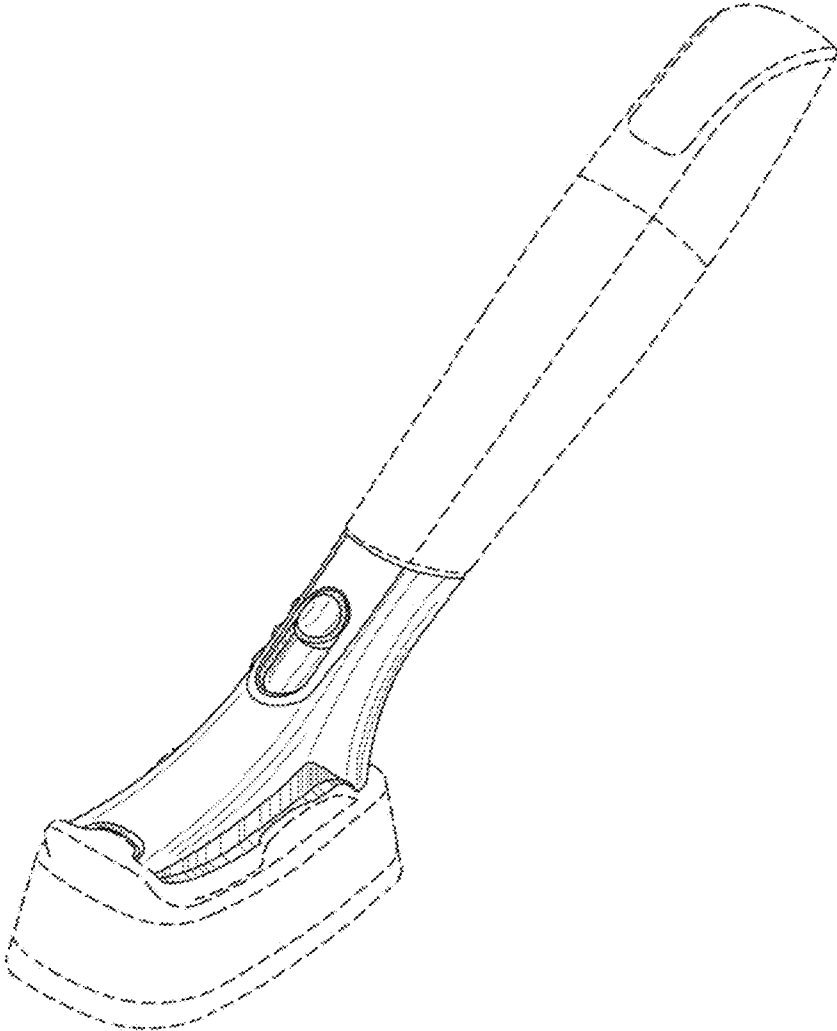


FIG. 1

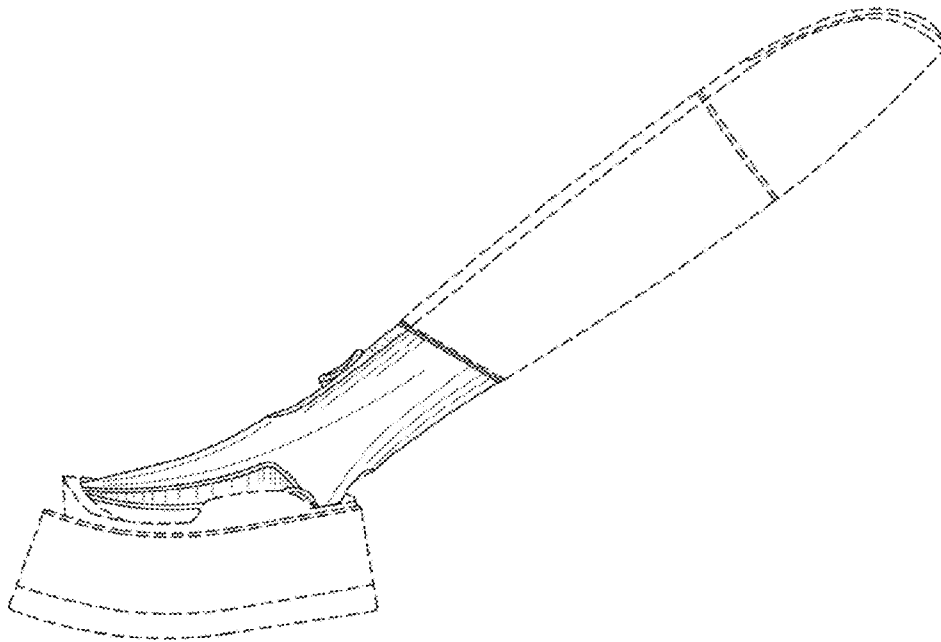


FIG. 2

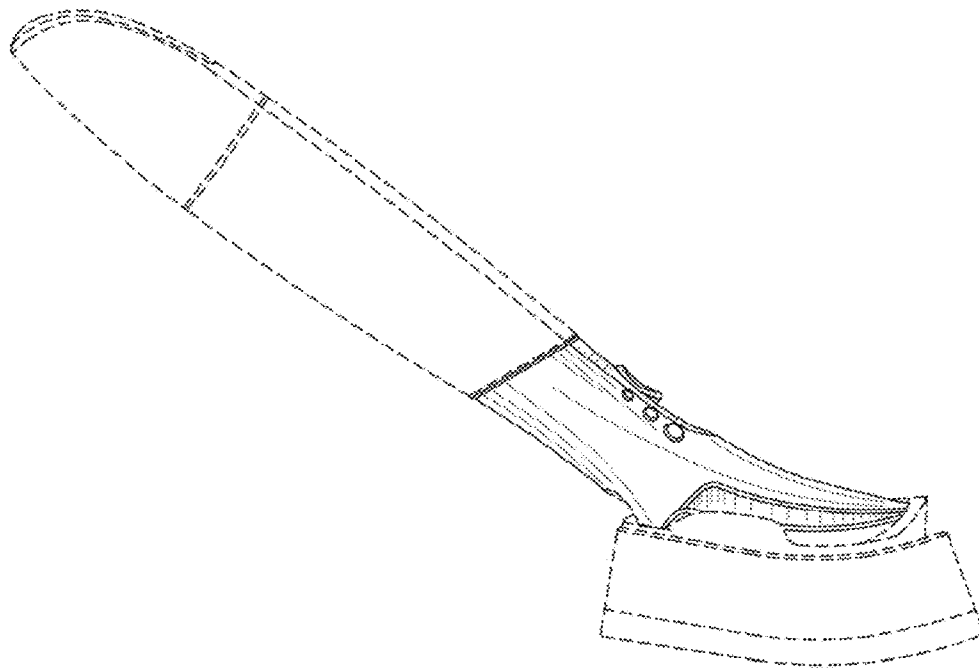


FIG. 3

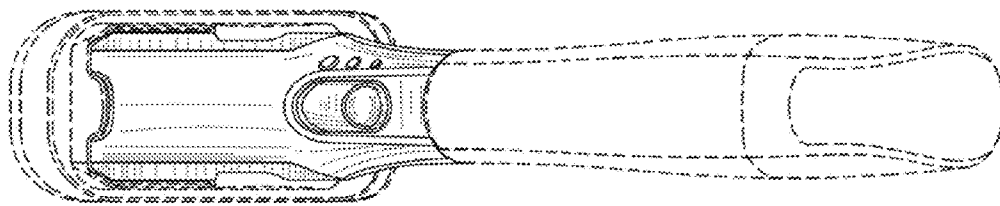


FIG. 4

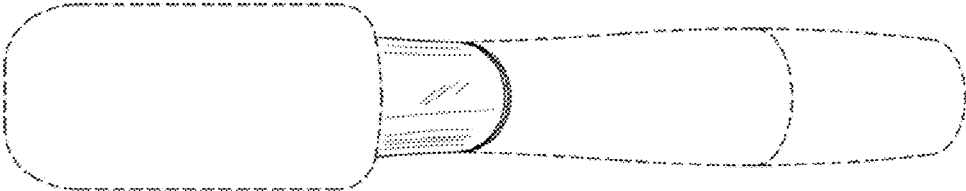


FIG. 5

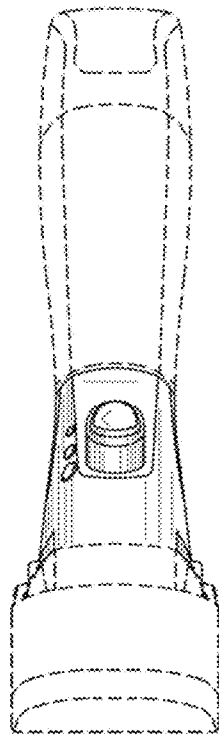


FIG. 6

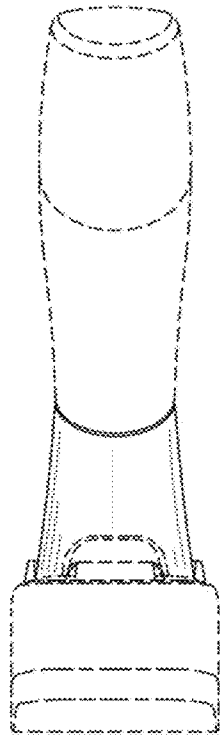


FIG. 7