



US00D695098S

(12) **United States Design Patent**
Hobson

(10) **Patent No.:** **US D695,098 S**

(45) **Date of Patent:** **** Dec. 10, 2013**

(54) **RETENTION CLIP**

(76) Inventor: **Blake Hobson**, Lakewood, IL (US)

(**) Term: **14 Years**

(21) Appl. No.: **29/413,399**

(22) Filed: **Feb. 15, 2012**

Related U.S. Application Data

(63) Continuation-in-part of application No. 11/532,380, filed on Sep. 15, 2006, now abandoned.

(51) **LOC (9) Cl.** **08-08**

(52) **U.S. Cl.**

USPC **D8/395**; D8/396

(58) **Field of Classification Search**

USPC D8/354, 356, 371, 394–396; D19/65,
D19/86; D24/128; 248/74.2, 215, 227.1, 49,
248/300, 301, 316.7, 51, 489; 24/570, 3.12;
D32/61; D11/78.1

See application file for complete search history.

(56) **References Cited**

U.S. PATENT DOCUMENTS

D29,110	S	*	7/1898	Stone	D8/395
932,778	A	*	8/1909	Gould	248/304
1,324,308	A	*	12/1919	Crossan	24/11 CT
1,462,714	A	*	7/1923	Marchand	24/546
1,726,316	A	*	8/1929	Saxton	248/215
1,899,509	A	*	2/1933	Lapin	211/88.01
2,018,836	A	*	10/1935	Clemence	362/396
2,461,071	A	*	2/1949	Mettenleiter	248/227.2
2,588,251	A	*	3/1952	Kost	411/529
D223,640	S	*	5/1972	Kemp	D19/65
D255,774	S	*	7/1980	Soucy	D8/371
D298,711	S	*	11/1988	Lowance	D6/547
D308,935	S	*	7/1990	Leatherman	D8/395
5,409,198	A	*	4/1995	Roick	267/107

D366,410	S	*	1/1996	Schlabach	D8/395
5,489,078	A	*	2/1996	Risley	248/231.81
5,619,774	A	*	4/1997	Perry	24/3.6
D412,601	S	*	8/1999	Cooper	D28/73
6,378,827	B1	*	4/2002	Kacines	248/231.81
D478,630	S	*	8/2003	Riggins	D19/83
D503,430	S	*	3/2005	Chang	D19/83
D523,330	S	*	6/2006	Mattesky	D8/395
D537,329	S	*	2/2007	Blanton	D8/395
D552,463	S	*	10/2007	French et al.	D8/395
D597,400	S	*	8/2009	Matejcik	D8/367
D600,544	S	*	9/2009	Klaus et al.	D8/395
D606,848	S	*	12/2009	Jimenez	D8/395
D610,901	S	*	3/2010	Jones	D8/394
D657,658	S	*	4/2012	Jones	D8/354
D669,773	S	*	10/2012	Colasse	D8/395
D680,857	S	*	4/2013	Rumpel	D8/395

* cited by examiner

Primary Examiner — John Windmuller

(74) *Attorney, Agent, or Firm* — McAndrews, Held & Malloy, Ltd.

(57) **CLAIM**

The ornamental design for a retention clip, as shown and described.

DESCRIPTION

FIG. 1 is a perspective view of a retention clip;
FIG. 2 is left side view thereof;
FIG. 3 is a back view thereof;
FIG. 4 is a top view thereof;
FIG. 5 is a right side view thereof;
FIG. 6 is a front view thereof; and,
FIG. 7 is a bottom view thereof.

The broken lines in the drawings are included for the purpose of illustrating environmental subject matter and form no part of the claimed design.

1 Claim, 2 Drawing Sheets

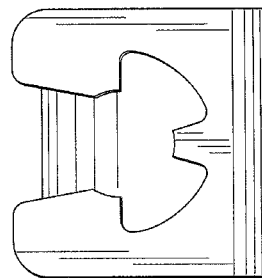
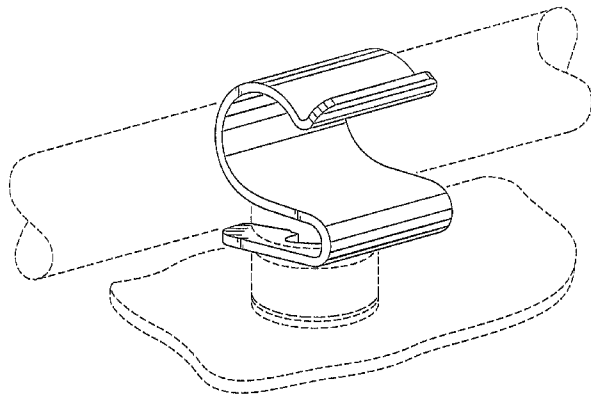


Fig. 1

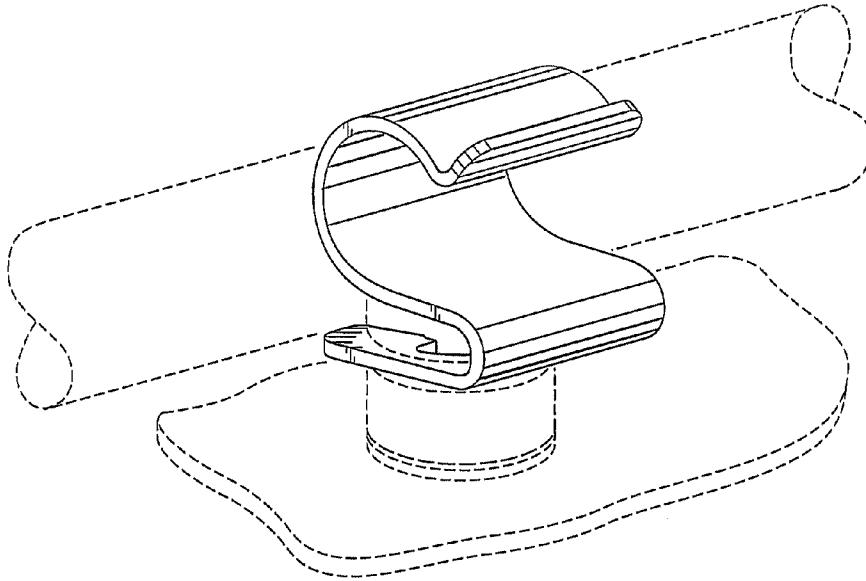


Fig. 2

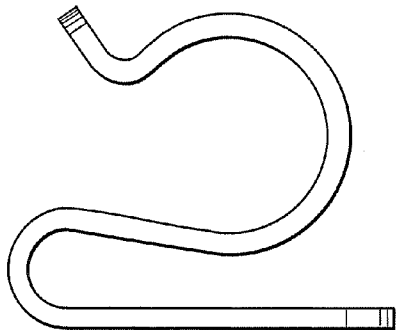
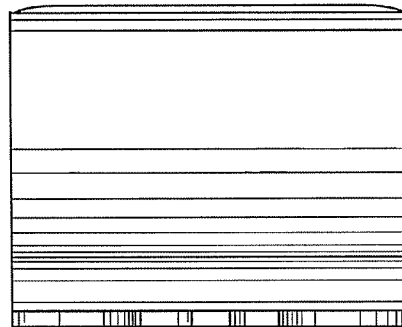


Fig. 3



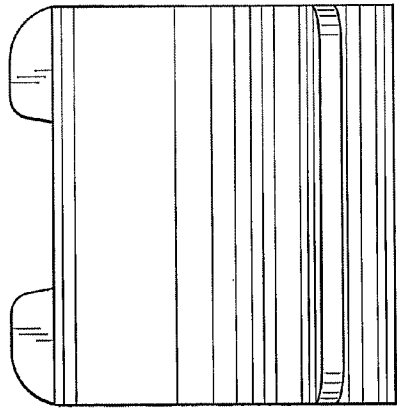


Fig. 4

Fig. 5

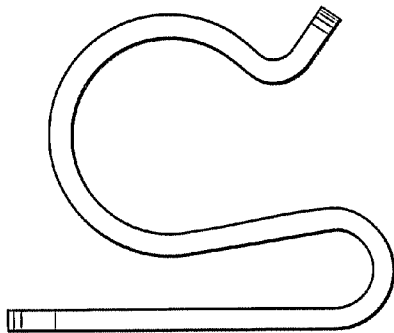


Fig. 6

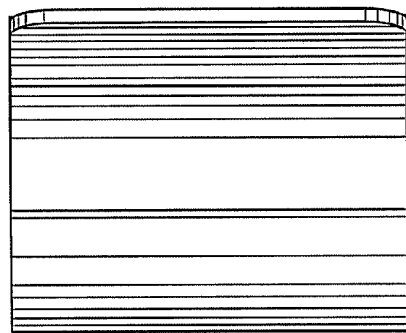


Fig. 7

