



US00D769175S

(12) **United States Design Patent**
Aragon, Jr.

(10) **Patent No.:** **US D769,175 S**

(45) **Date of Patent:** **** Oct. 18, 2016**

(54) **MIRROR BRACKET, ARM, AND MOUNTING CLIP ASSEMBLY**

(71) Applicant: **Julian M. Aragon, Jr.**, Waianae, HI (US)

(72) Inventor: **Julian M. Aragon, Jr.**, Waianae, HI (US)

(**) Term: **15 Years**

(21) Appl. No.: **29/545,784**

(22) Filed: **Nov. 16, 2015**

(51) **LOC (10) Cl.** **12-06**

(52) **U.S. Cl.** **D12/223; D8/382**
USPC

(58) **Field of Classification Search**

USPC D8/16, 18, 71, 73, 349, 354, 363, 366, D8/371, 373, 374, 380, 381, 382, 394, D8/499; D12/20, 42, 44, 51, 106, 114, D12/400, 223

CPC B60R 1/08; B60R 1/081; B60R 1/082; B60R 1/06; B60R 7/08; B60R 2011/004; B60R 13/105; B60R 1/0605; B60R 1/006; B60R 1/002; B60R 2011/0066; B60R 2011/0071; B60R 2011/0078; B60R 1/007; B60R 1/086; B60R 1/04

See application file for complete search history.

3,252,377	A *	5/1966	Kentes	B60R 1/006	248/476
						359/855
D233,473	S *	10/1974	Nadeau	D15/140	
D233,975	S *	12/1974	Lee	D8/16	
D281,760	S *	12/1985	Doring	D8/18	
5,482,240	A *	1/1996	Caraher	E04B 9/205	248/297.51
6,926,416	B2 *	8/2005	Sawyer	B60R 1/081	B60R 1/081
						248/467
D509,468	S *	9/2005	Viger	D12/223	
7,422,337	B1 *	9/2008	Fetherston	B60R 1/006	B60R 1/006
						248/467
D650,483	S *	12/2011	Roggenkamp	D24/184	
D668,562	S *	10/2012	Madrack	D10/65	
D710,273	S *	8/2014	LeBlanc	D12/179	
D747,954	S *	1/2016	Maeda	D8/354	
2005/0141113	A1 *	6/2005	Bogard	B60R 1/082	B60R 1/082
						359/874
2008/0296332	A1 *	12/2008	King	B60R 7/08	B60R 7/08
						224/549
2009/0015950	A1 *	1/2009	Martinson	B60R 1/006	B60R 1/006
						359/843
2010/0177415	A1 *	7/2010	Cortez Ruiz	B60R 1/081	B60R 1/081
						359/851
2012/0188662	A1 *	7/2012	Hamada	B60R 1/06	B60R 1/06
						359/871
2012/0235001	A1 *	9/2012	Somuah	B60R 11/0235	B60R 11/0235
						248/287.1
2014/0138418	A1 *	5/2014	Dunn	B60R 11/02	B60R 11/02
						224/483
2014/0223755	A1 *	8/2014	Madrack	E04F 21/22	E04F 21/22
						33/645
2015/0274081	A1 *	10/2015	Fan	B60R 11/02	B60R 11/02
						224/570

* cited by examiner

Primary Examiner — Sandra Snapp

Assistant Examiner — Teisha Price

(74) *Attorney, Agent, or Firm* — Keri Ann K. S.

Krzykowski; Martin E. Hsia

(57) **CLAIM**

The ornamental design for a mirror bracket, arm, and mounting clip assembly, as shown and described.

DESCRIPTION

FIG. 1 is a perspective view thereof from the rear top right; FIG. 2 is an elevational view thereof from the front;

(56)

References Cited

U.S. PATENT DOCUMENTS

1,338,847	A *	5/1920	Welcker	B67B 7/12	B67B 7/12
						81/3.47
1,562,335	A *	11/1925	Jones	B60R 1/006	B60R 1/006
						359/855
1,938,105	A *	12/1933	Johnson	B60R 1/006	B60R 1/006
						359/855
2,605,676	A *	8/1952	Couch	B60R 1/082	B60R 1/082
						359/854
2,783,683	A *	3/1957	Maurer	B60R 1/006	B60R 1/006
						296/91
2,950,891	A *	8/1960	Hage	B60R 13/105	B60R 13/105
						248/231.61
3,187,628	A *	6/1965	Canns	B60R 1/006	B60R 1/006

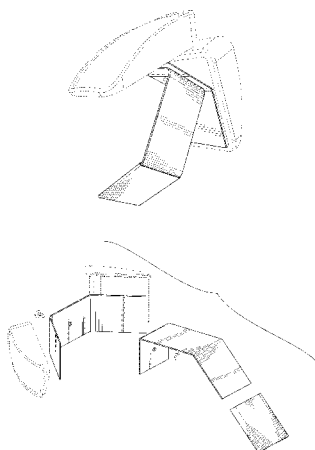


FIG. 3 is an elevational view thereof from the rear;
FIG. 4 is an elevational view thereof from the left;
FIG. 5 is an elevational view thereof from the right;
FIG. 6 is a top plan view thereof;
FIG. 7 is a bottom plan view thereof; and,
FIG. 8 is an exploded perspective view thereof from the rear
top right, shown for clarity of disclosure.

The broken lines shown throughout the drawing disclosure
represent the environment of the mirror bracket, arm, and
mounting clip assembly and forms no part thereof.

1 Claim, 6 Drawing Sheets

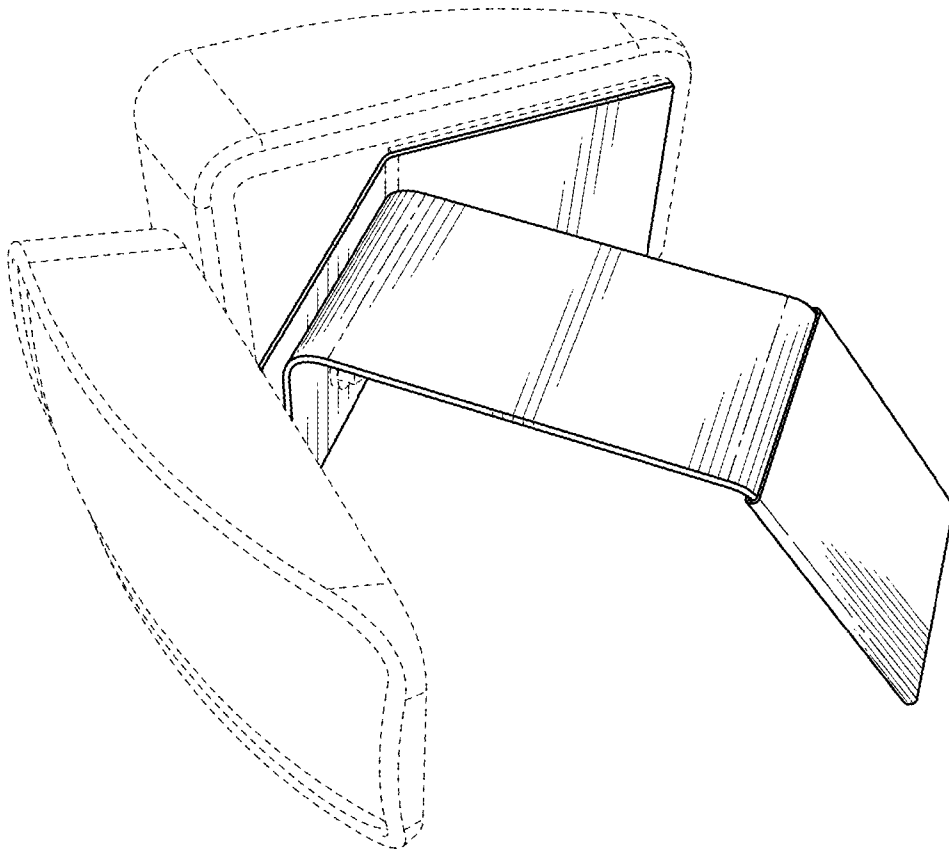


FIG. 1

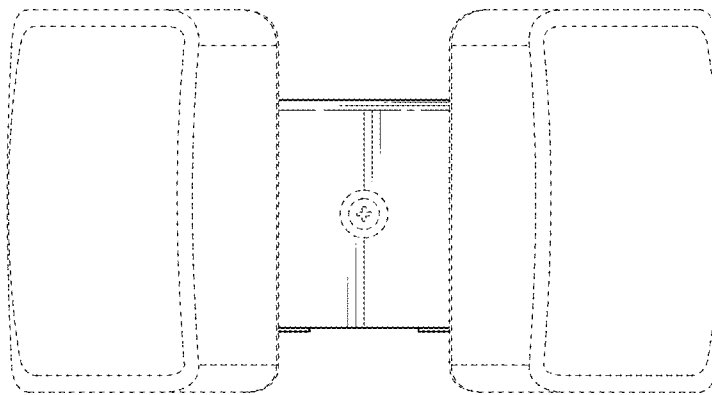


FIG. 2

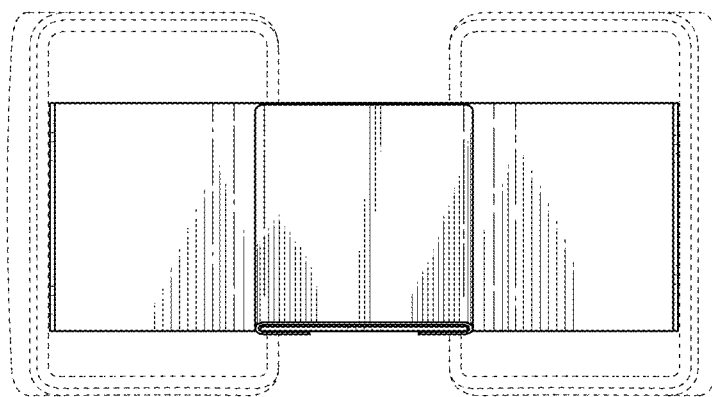


FIG. 3

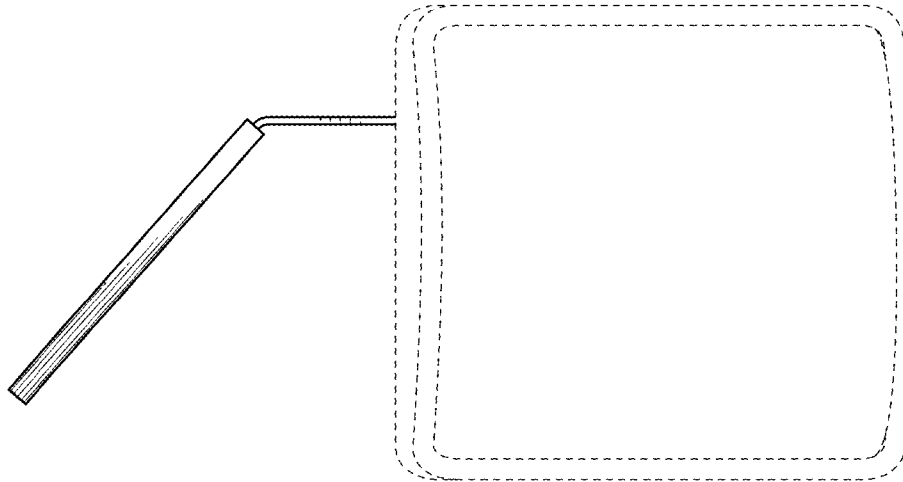


FIG. 4

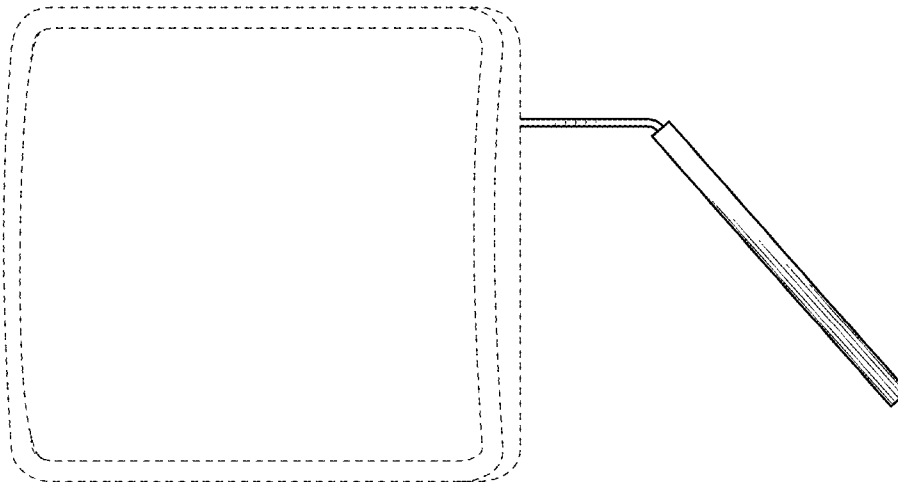


FIG. 5

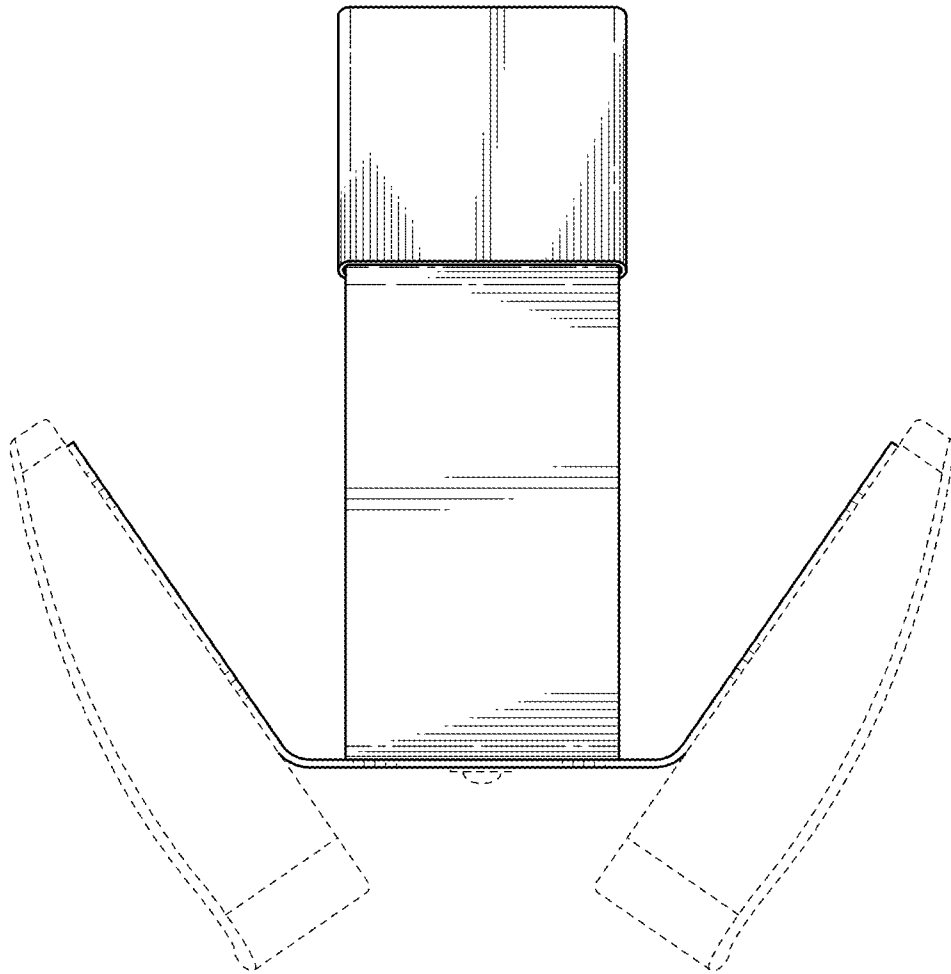


FIG. 6

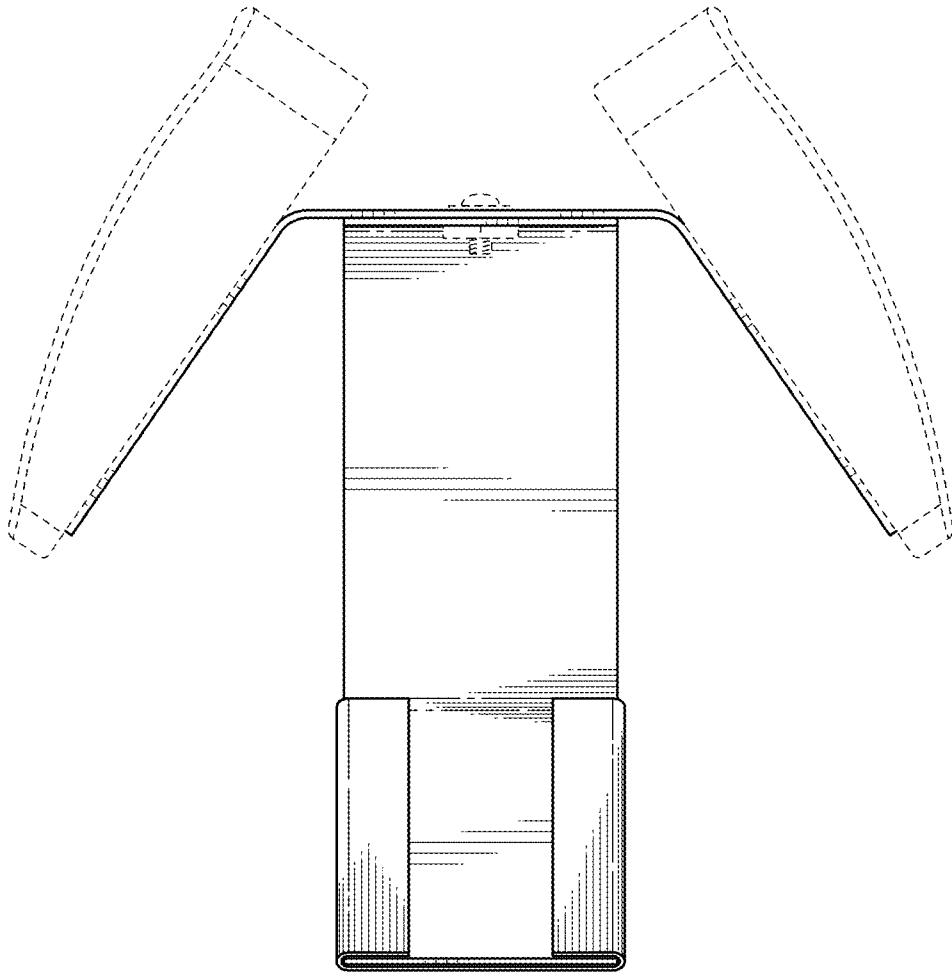


FIG. 7

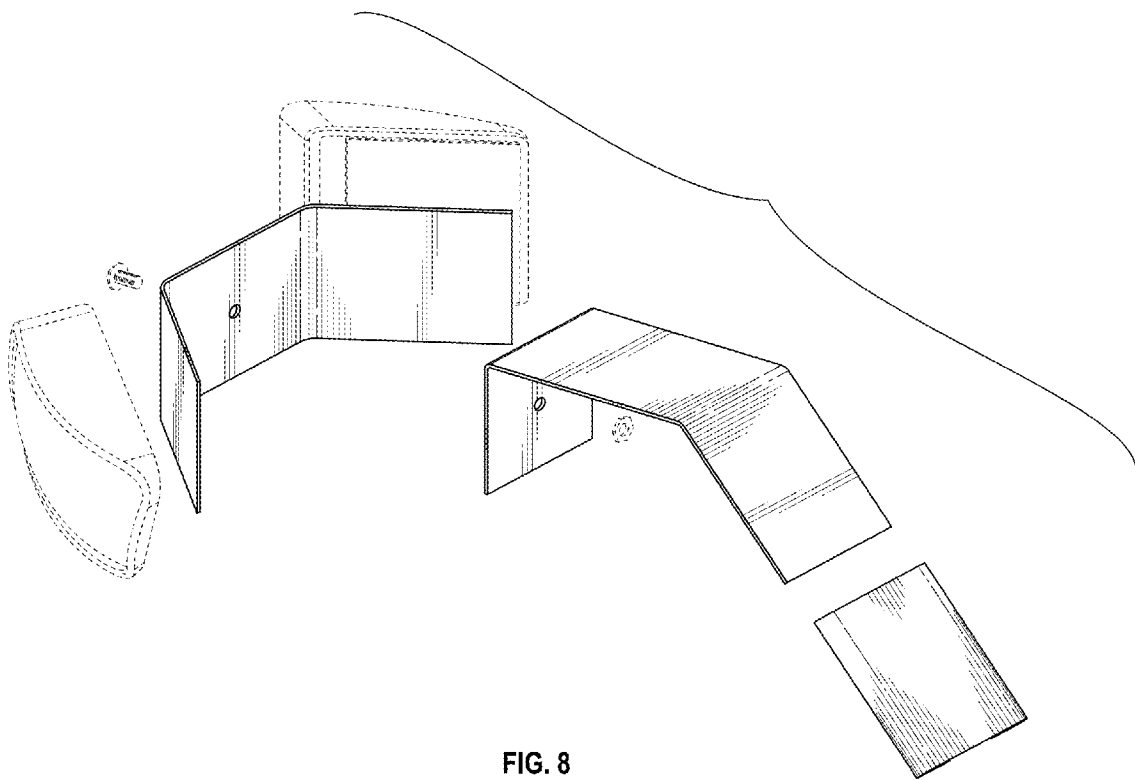


FIG. 8