



US00D820267S

(12) **United States Design Patent** (10) **Patent No.:** **US D820,267 S**
Collins et al. (45) **Date of Patent:** **** Jun. 12, 2018**

(54) **BENDABLE DEVICE CASE**

OTHER PUBLICATIONS

(71) Applicant: **Intel Corporation**, Santa Clara, CA (US)

PCT International Search Report, PCT Application No. PCT/US2016/059032, dated Feb. 3, 2017, 3 pages.

(Continued)

(72) Inventors: **David M. Collins**, San Francisco, CA (US); **Douglas Satzger**, Santa Clara, CA (US); **Michael A. Hyde**, Santa Clara, CA (US)

Primary Examiner — Cynthia Underwood
(74) *Attorney, Agent, or Firm* — International IP Law Group, P.L.L.C.

(73) Assignee: **Intel Corporation**, Santa Clara, CA (US)

(**) Term: **15 Years**

(57) **CLAIM**

(21) Appl. No.: **29/505,644**

The ornamental design for a bendable device case, as shown and described.

(22) Filed: **Dec. 24, 2015**

(51) **LOC (11) Cl.** **14-02**

(52) **U.S. Cl.**
USPC **D14/440**

(58) **Field of Classification Search**
USPC D14/250, 440, 447; 206/45.23, 320, 206/45.2; 361/679.55; 294/25; 224/218; D7/554.3
CPC G06F 1/1628; G06F 1/1613; G06F 1/1626; A47B 23/044

See application file for complete search history.

DESCRIPTION

FIG. 1 is a front view of a bendable device case; FIG. 2 is a back view of the bendable device case from FIG. 1; FIG. 3 is a top view of the bendable device case from FIG. 1; FIG. 4 is a bottom view of the bendable device case from FIG. 1; FIG. 5 is a left view of the bendable device case from FIG. 1; FIG. 6 is a right view of the bendable device case from FIG. 1; and FIG. 7 is a top left perspective view of the bendable device case from FIG. 1. FIG. 8 is a top left perspective view of a bendable device case with a long edge raised. FIG. 9 is a left perspective view of a bendable device case in a first portrait mode with a short edge raised; and, FIG. 10 is a top left perspective view of the bendable device case housing a computing device with a long edge raised. The broken lines depict environment and form no part of the claim.

(56) **References Cited**

U.S. PATENT DOCUMENTS

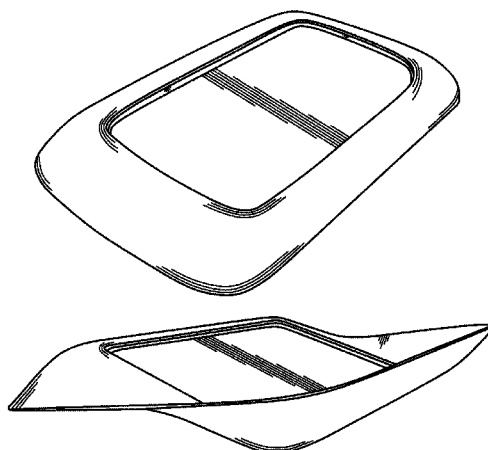
D352,516 S *	11/1994	Newman	D24/218
D526,851 S *	8/2006	Groff	D7/552.1
D532,258 S *	11/2006	Bardolet	D7/554.3
D601,854 S *	10/2009	Rubin	D7/550.1
D641,352 S	7/2011	Flagiello et al.		
D673,159 S *	12/2012	McCarthy	D14/440
D681,583 S	5/2013	Park		

(Continued)

FOREIGN PATENT DOCUMENTS

CN	202980585 U	6/2013
KR	20140136538 A	12/2014
WO	2013006294 A1	1/2013

1 Claim, 10 Drawing Sheets



(56)

References Cited

U.S. PATENT DOCUMENTS

D684,967	S	6/2013	Flagiello et al.	
D691,104	S	10/2013	Park	
D701,201	S	3/2014	Jiang	
D705,775	S	5/2014	Canizares et al.	
D714,286	S	9/2014	Kim et al.	
8,833,555	B2	9/2014	Bennett, Jr.	
D717,304	S *	11/2014	Yturralde	D14/250
D722,050	S	2/2015	Moradian	
D743,407	S *	11/2015	Lin	G06F 1/1626 D14/440
D745,855	S	12/2015	Chu	
D746,279	S	12/2015	Bajwa et al.	
D746,280	S	12/2015	Bajwa et al.	
D754,666	S *	4/2016	Tiffen	D14/440
D755,175	S	5/2016	Bajwa et al.	
D767,940	S *	10/2016	Gross	D7/554.3
D768,638	S *	10/2016	Lee	D14/440
9,661,906	B2	5/2017	Diebel et al.	
D791,121	S	7/2017	Collins et al.	
2014/0265767	A1	9/2014	Fathollahi	
2015/0041505	A1	2/2015	Fujioka	
2015/0097009	A1	4/2015	Burgess et al.	
2015/0122850	A1	5/2015	Quehl	
2015/0141095	A1	5/2015	Kim	
2015/0296946	A1	10/2015	Buechin	
2017/0187408	A1	6/2017	Collins et al.	

OTHER PUBLICATIONS

Yang, Songnan, U.S. Appl. No. 62/180,951, filed Jun. 17, 2015, US Application, Drawings, and Acknowledgment Receipt dated Jun. 17, 2015 attached (23 pages), Expired Provisional.

* cited by examiner



FIG. 1



FIG. 2

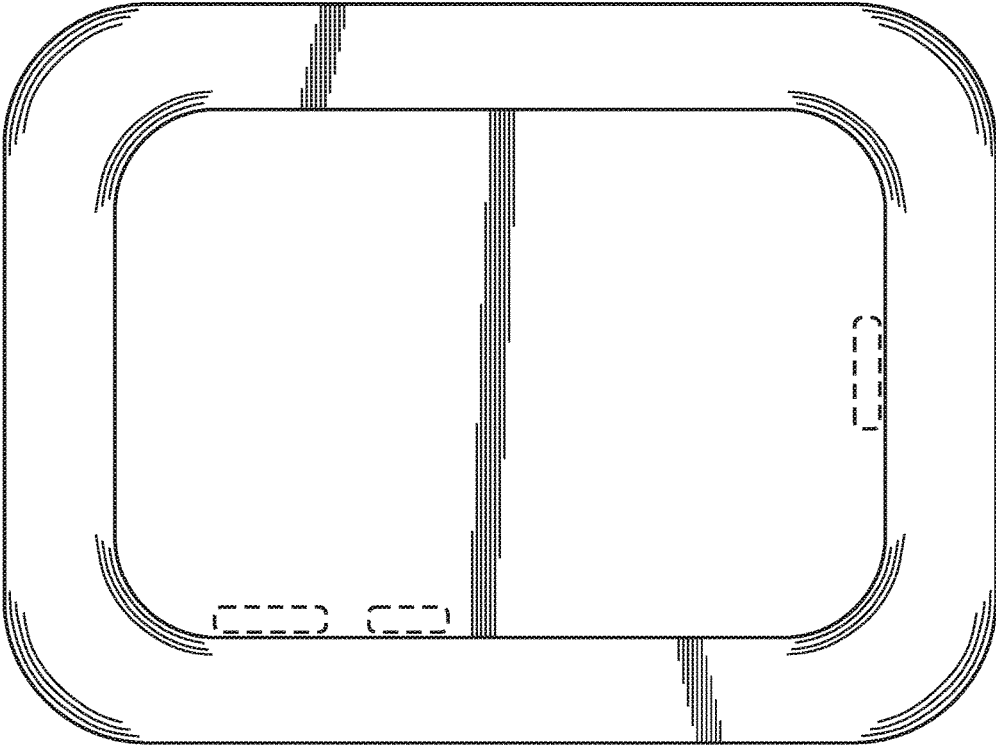


FIG. 3

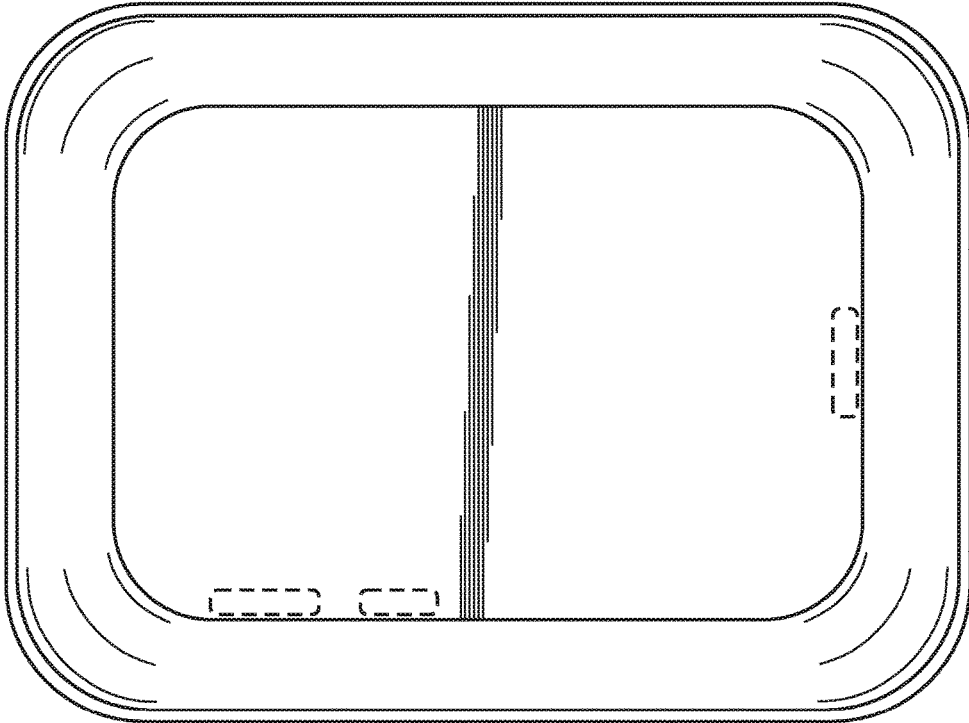


FIG. 4



FIG. 5



FIG. 6

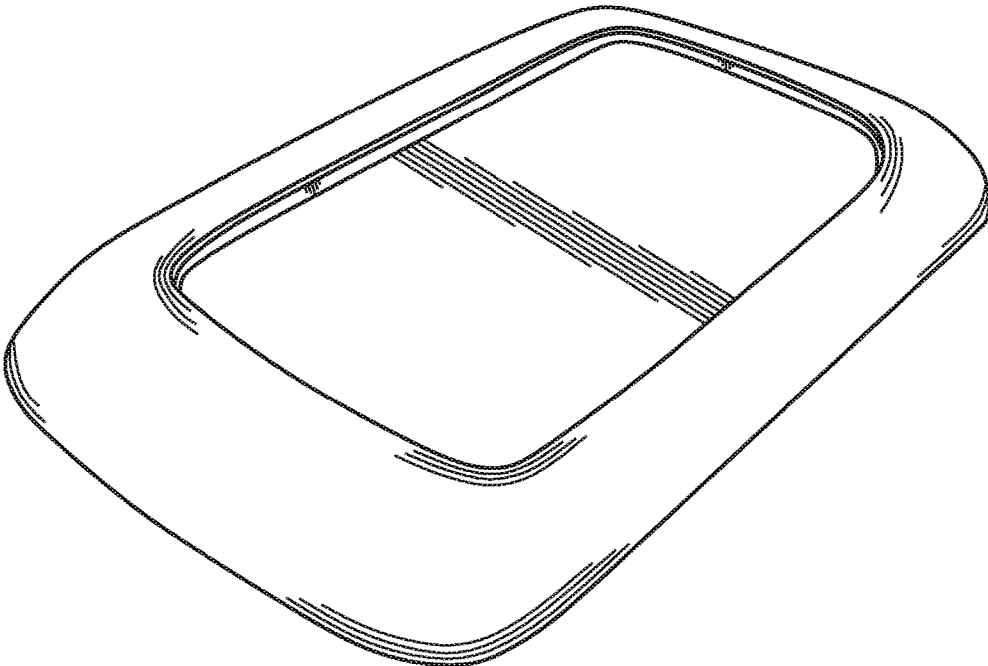


FIG. 7

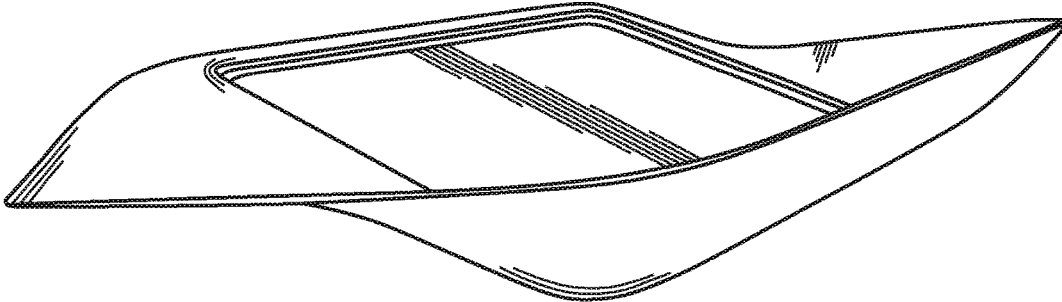


FIG. 8

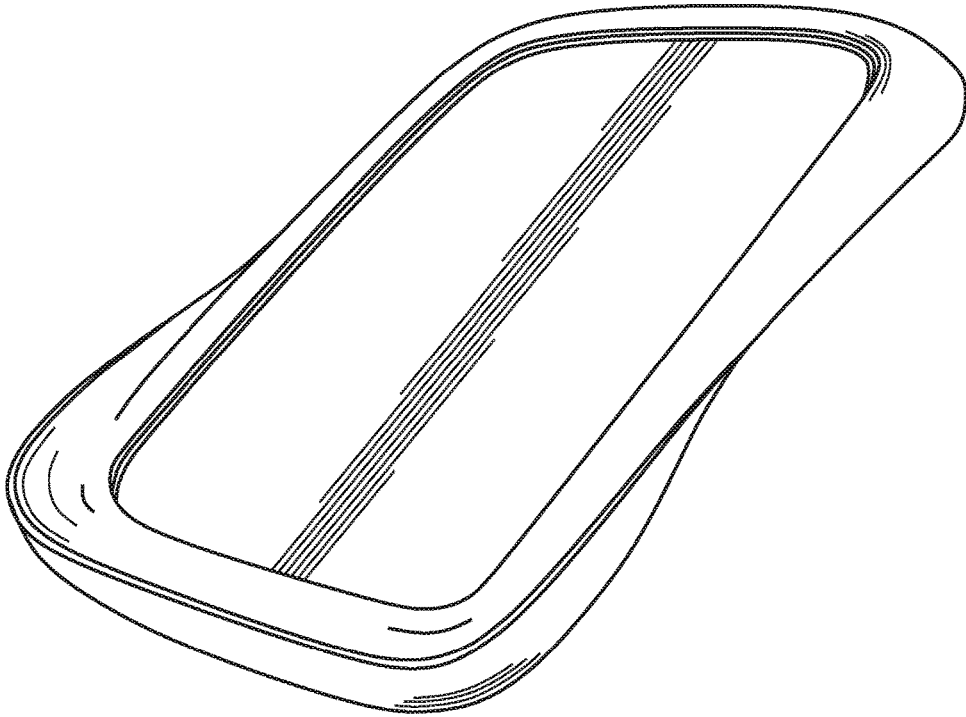


FIG. 9

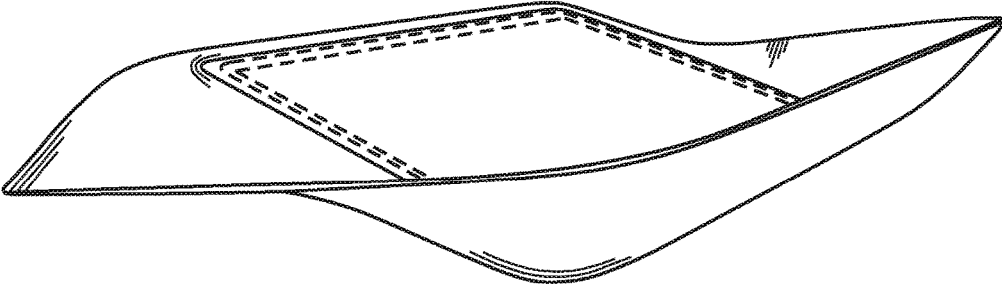


FIG. 10