



US00D918870S

(12) **United States Design Patent**  
**Koranda**

(10) **Patent No.:** **US D918,870 S**

(45) **Date of Patent:** **\*\* May 11, 2021**

- (54) **SPEAKER**
- (71) Applicant: **SDS Asia Limited, BVI #1748971**,  
Hong Kong (CN)
- (72) Inventor: **Jason Koranda**, Omaha, NE (US)
- (73) Assignee: **SDS ASIA LIMITED, BVI # 1748971**,  
Central Hong Kong (CN)
- (\*\*) Term: **15 Years**
- (21) Appl. No.: **29/701,298**
- (22) Filed: **Aug. 9, 2019**
- (51) **LOC (13) Cl.** ..... **14-01**
- (52) **U.S. Cl.**  
USPC ..... **D14/216**; D14/209.1
- (58) **Field of Classification Search**  
USPC ... D14/216, 204, 188, 159, 137, 207, 209.1,  
D14/210, 211, 212, 213; D8/378;  
D26/40, 41; D11/89, 90, 121, 118, 119;  
181/145, 155; 381/180, 182, 185, 186,  
381/188, 189, 205, 386, 387, 388  
CPC . H04R 25/00; H04R 1/02; H04R 9/06; H04R  
5/02; H05K 5/00  
See application file for complete search history.

- D230,997 S \* 3/1974 Shannon ..... D14/211
- 3,818,138 A \* 6/1974 Sperrazza, Jr. .... H04R 1/323  
381/336
- 4,122,910 A \* 10/1978 Wehner ..... H04R 5/02  
181/144
- 4,249,037 A \* 2/1981 Dexter ..... H04R 1/02  
181/144
- D274,056 S \* 5/1984 Myer ..... D14/172
- D291,968 S \* 9/1987 MacLaughlin ..... D9/429
- D292,702 S \* 11/1987 White ..... D14/212
- 4,837,826 A \* 6/1989 Schupbach ..... H04R 5/02  
381/308
- D303,970 S \* 10/1989 Collins ..... D14/216
- 4,991,668 A \* 2/1991 Rehm ..... E21B 7/068  
175/61
- D329,234 S \* 9/1992 Winkelbauer ..... D14/204
- D330,376 S \* 10/1992 Kawaguchi ..... D14/212
- D401,582 S \* 11/1998 Gremchuck ..... D14/210

(Continued)

**FOREIGN PATENT DOCUMENTS**

- EM 005629839-0001 \* 9/2018
- Primary Examiner* — Paula Allen Greene
- (74) *Attorney, Agent, or Firm* — Suiter Swantz pc llo

(57) **CLAIM**

The ornamental design for a speaker, as shown and described.

**DESCRIPTION**

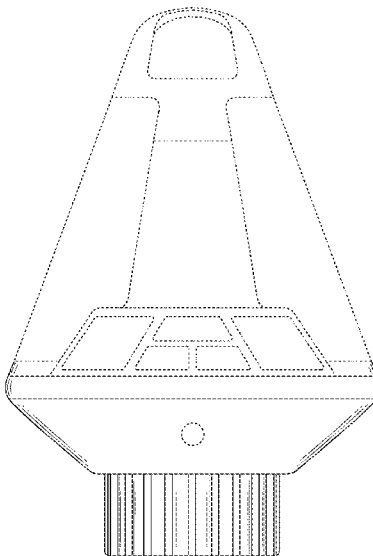
FIG. 1 is a perspective view showing our new design;  
 FIG. 2 is a top plan view thereof;  
 FIG. 3 is a front elevation view thereof;  
 FIG. 4 is a left side elevation view thereof;  
 FIG. 5 is a rear elevation view thereof;  
 FIG. 6 is a right side elevation view thereof; and,  
 FIG. 7 is a bottom plan view thereof.  
 The broken line showing a handle, speaker covers, and user-interface buttons of FIGS. 1 through 7 form no part of the claimed design.

**1 Claim, 7 Drawing Sheets**

(56) **References Cited**

**U.S. PATENT DOCUMENTS**

- 2,824,167 A \* 2/1958 Bauer ..... H02G 3/126  
174/63
- 2,955,669 A \* 10/1960 Rice ..... H04R 1/2865  
181/199
- 3,329,235 A \* 7/1967 Shaper ..... H04R 1/26  
181/147
- 3,486,578 A \* 12/1969 Albarino ..... H04R 1/2842  
381/350
- D226,567 S \* 3/1973 Soles ..... D14/212
- 3,750,838 A \* 8/1973 Pyle, Jr. .... H04R 1/2811  
181/153



(56)

**References Cited**

## U.S. PATENT DOCUMENTS

D408,035	S	*	4/1999	Denham	.....	D14/212
D422,916	S	*	4/2000	Herrmann	.....	D9/443
6,152,257	A	*	11/2000	Denham	.....	H04R 1/345 181/144
D466,885	S	*	12/2002	MacFarlane	.....	D14/204
D471,896	S	*	3/2003	Solland	.....	D14/211
D567,221	S	*	4/2008	Liang	.....	D14/207
D571,787	S	*	6/2008	Hwa-jei	.....	D14/207
D591,727	S	*	5/2009	Lui	.....	D14/216
D631,666	S	*	2/2011	Lim	.....	D4/129
D689,459	S	*	9/2013	Park	.....	D14/159
D697,046	S	*	1/2014	Hanna	.....	D14/204
D718,281	S	*	11/2014	Schmiedbauer	.....	D14/216
D735,163	S	*	7/2015	Valeur	.....	D14/216
D746,257	S	*	12/2015	Ahn	.....	D14/204
D773,704	S	*	12/2016	Pardo	.....	D26/41
D790,500	S	*	6/2017	Morisawa	.....	D14/204
D804,444	S	*	12/2017	Ahn	.....	D14/204
D806,680	S	*	1/2018	Demin	.....	D14/216
D807,326	S	*	1/2018	Justis	.....	D14/214
D820,815	S	*	6/2018	Justis	.....	D14/214
D836,608	S	*	12/2018	Kim	.....	D14/216
D843,341	S	*	3/2019	Imblum	.....	D14/204
D853,354	S	*	7/2019	Demin	.....	D14/211
D864,162	S	*	10/2019	Peterson	.....	D14/216

\* cited by examiner

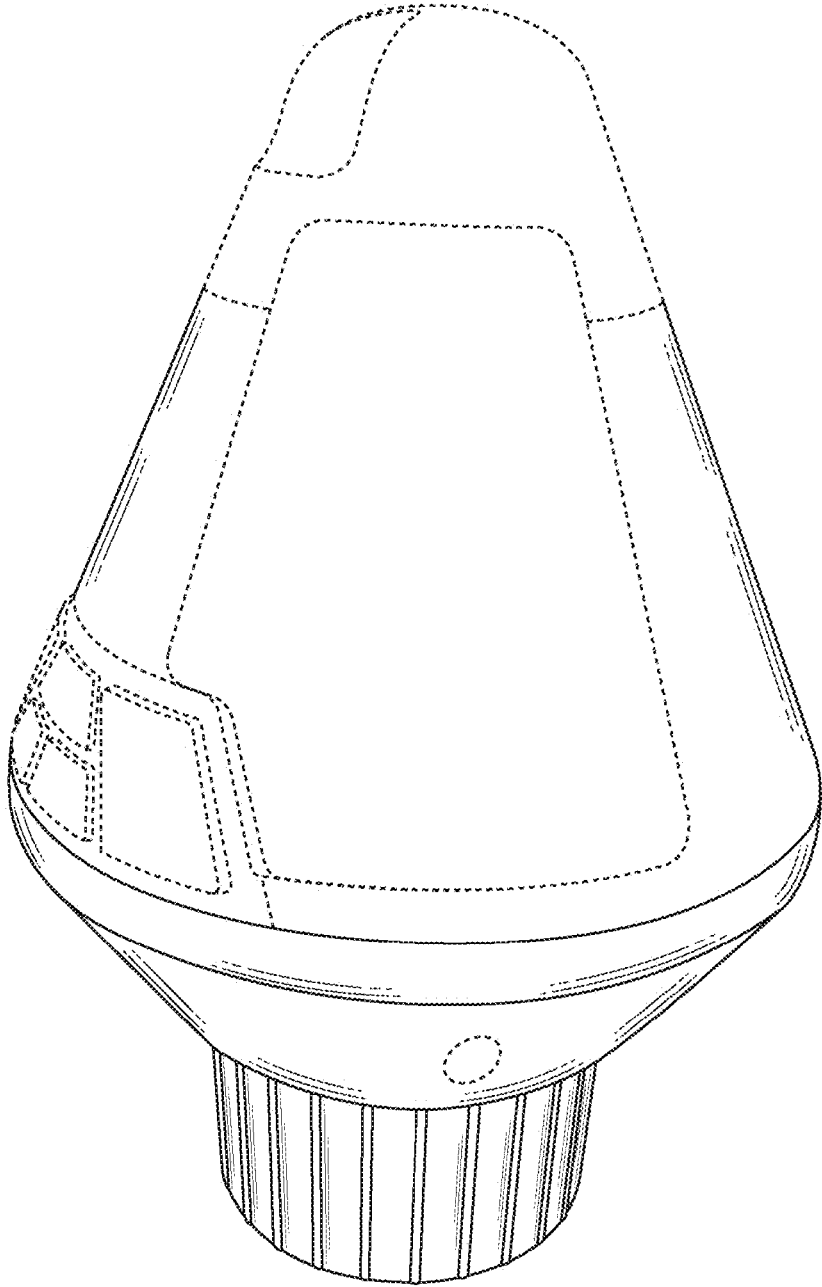


FIG. 1

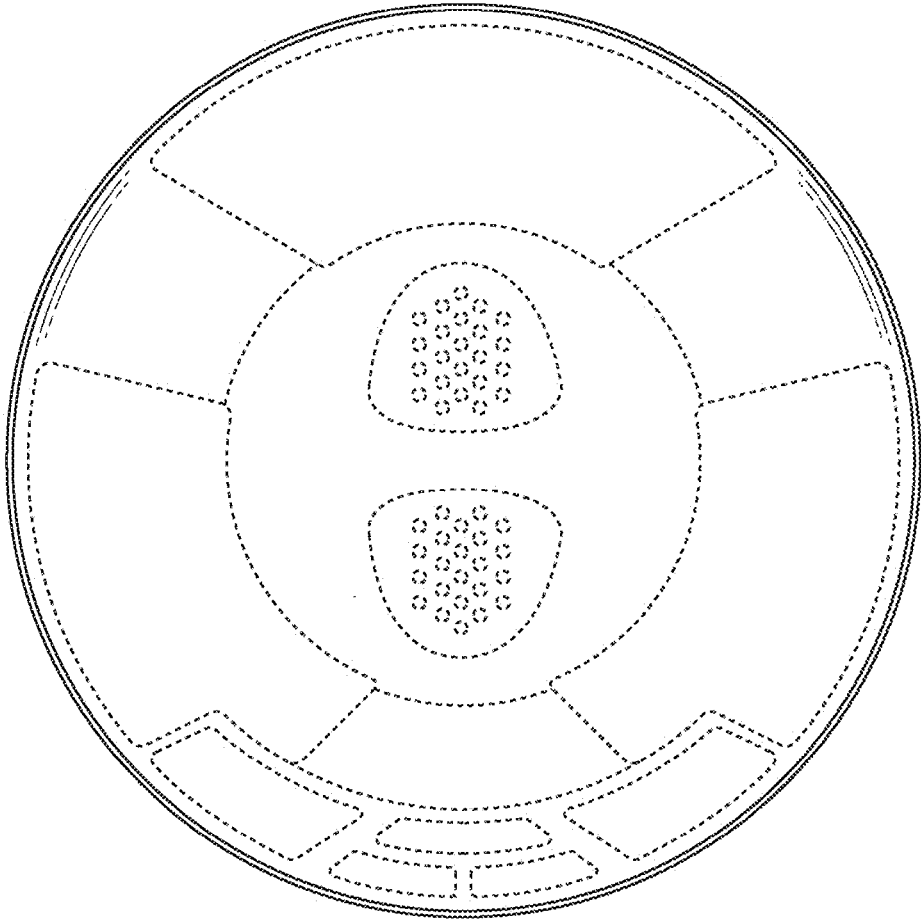


FIG.2

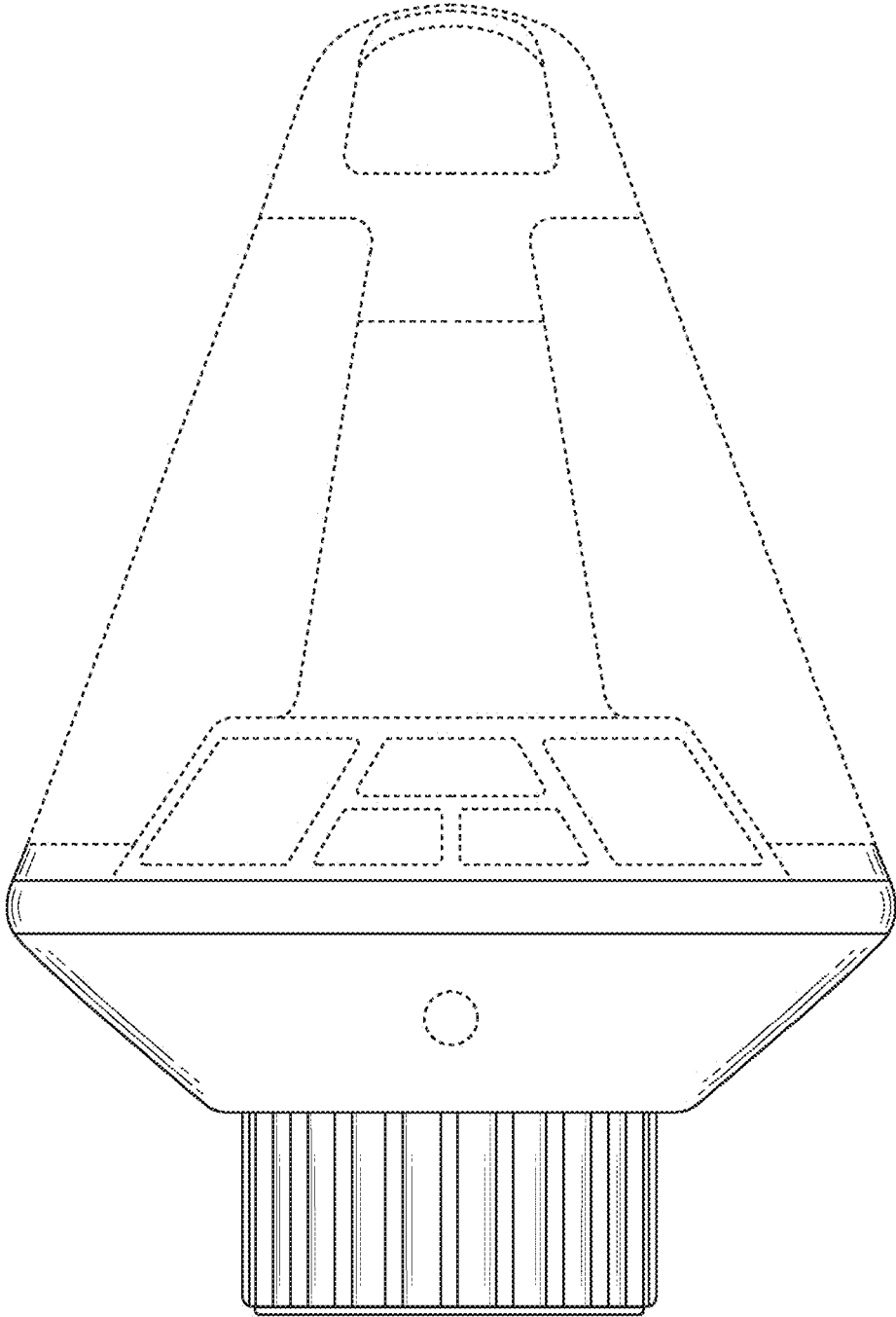


FIG. 3

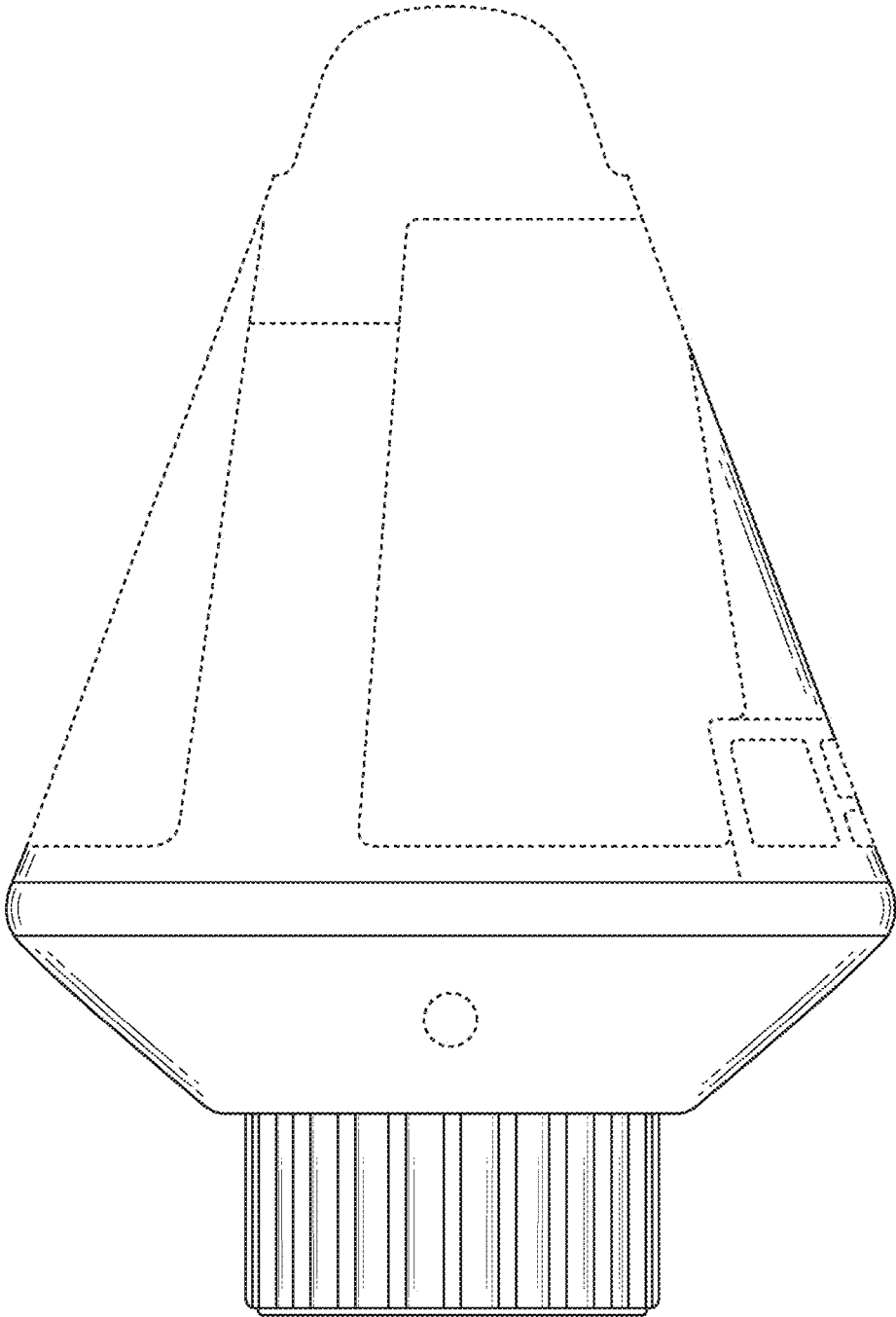


FIG. 4

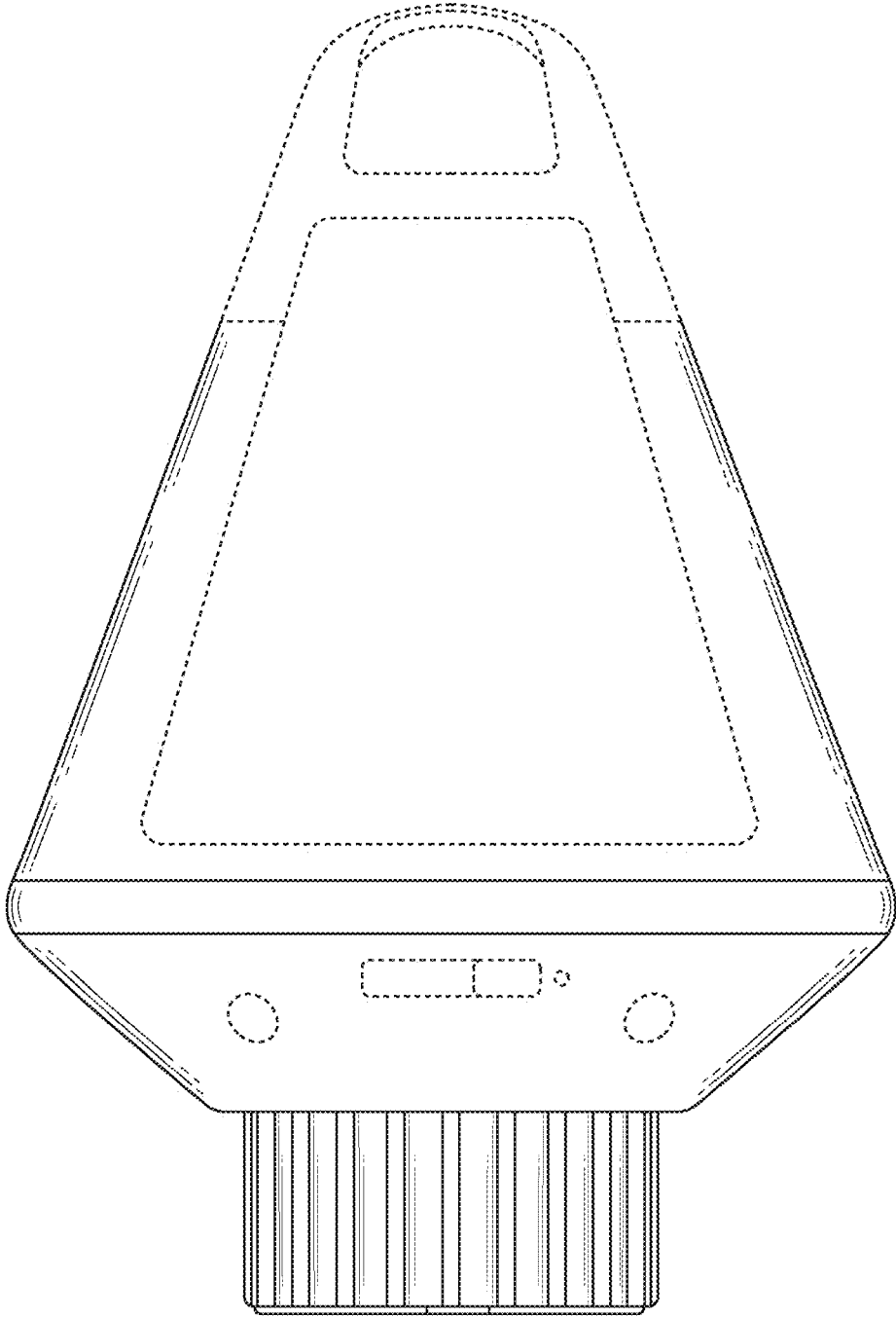


FIG. 5

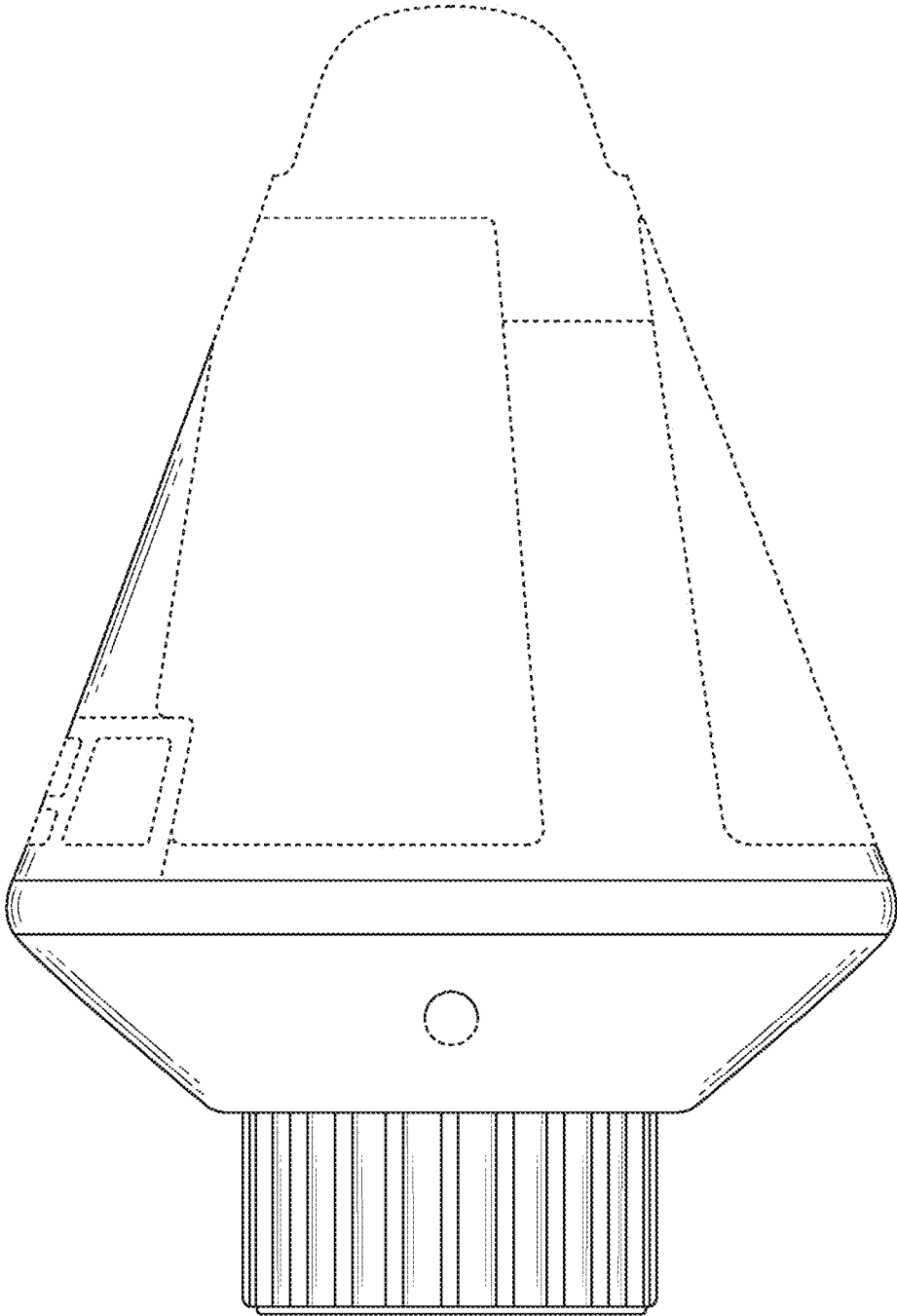


FIG. 6



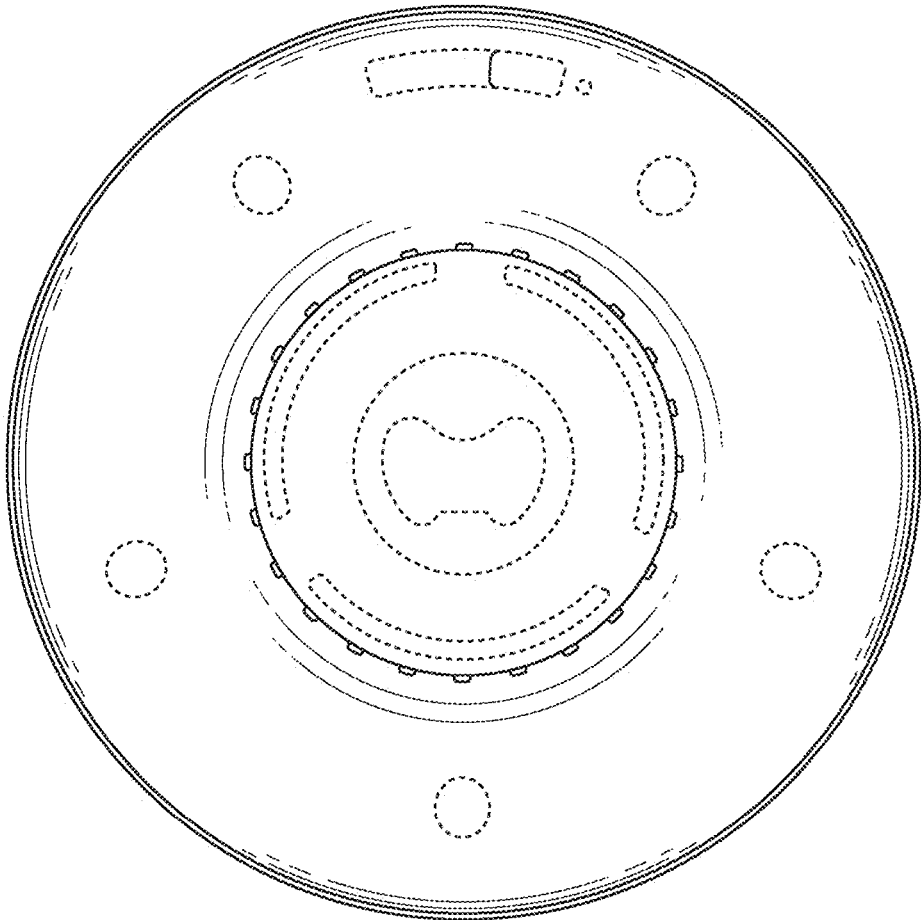


FIG. 7