



US0D1049467S

(12) **United States Design Patent**  
**Romers et al.**

(10) **Patent No.:** **US D1,049,467 S**

(45) **Date of Patent:** **\*\* \*Oct. 29, 2024**

(54) **HOUSING FOR A LIGHTING BALLAST**

(71) Applicant: **HGCL, Inc.**, Las Vegas, NV (US)

(72) Inventors: **Nico Romers**, Grootebroek (NL);  
**Dengke Cai**, Camas, WA (US)

(73) Assignee: **HGCL, Inc.**, Las Vegas, NV (US)

(\* ) Notice: This patent is subject to a terminal disclaimer.

(\*\*) Term: **15 Years**

(21) Appl. No.: **29/769,215**

(22) Filed: **Feb. 4, 2021**

**Related U.S. Application Data**

(63) Continuation of application No. 16/992,091, filed on Aug. 12, 2020, now abandoned.

(51) **LOC (14) Cl.** ..... **26-05**

(52) **U.S. Cl.** ..... **D26/138; D26/118**

(58) **Field of Classification Search**

USPC ..... D26/72, 74, 76, 78-83, 85, 86, 88, 90,  
D26/93, 111, 113, 118-122, 138, 139,  
D26/140, 141, 142, 152

CPC ..... F21S 2/00; F21S 4/00; F21S 4/003; F21S  
4/005; F21S 4/006; F21S 4/007; F21S  
4/008; F21S 6/00; F21S 8/00; F21S  
8/024; F21S 8/026; F21S 8/031; F21S  
8/033; F21S 8/035-037; F21S 8/04; F21S  
8/043; F21S 8/063

See application file for complete search history.

(56) **References Cited**

**U.S. PATENT DOCUMENTS**

D355,502 S \* 2/1995 Liao ..... D26/63  
D489,682 S \* 5/2004 Guillaume ..... D13/110

D591,883 S \* 5/2009 Gill ..... D26/63  
D611,635 S \* 3/2010 Gordin ..... D26/63  
D668,370 S \* 10/2012 Guercio ..... D26/92  
D712,581 S \* 9/2014 Scarlata ..... D26/65  
D739,072 S \* 9/2015 Adams ..... D26/118  
D751,745 S \* 3/2016 Wang ..... D26/63  
D797,339 S \* 9/2017 Wang ..... D26/63  
D798,856 S \* 10/2017 Menendez ..... D14/313  
D799,094 S \* 10/2017 Li ..... D26/63  
D854,720 S \* 7/2019 Deng ..... D26/63  
D884,957 S \* 5/2020 Dennis ..... D26/118

(Continued)

*Primary Examiner* — Natasha Vujcic

(74) *Attorney, Agent, or Firm* — Frost Brown Todd LLP

(57) **CLAIM**

The ornamental design for a housing for a lighting ballast, as shown and described.

**DESCRIPTION**

FIG. 1 is a left front perspective view depicting a housing for a lighting ballast;

FIG. 2 is a right rear perspective view depicting the housing of FIG. 1;

FIG. 3 is a right side elevational view depicting the housing of FIG. 1;

FIG. 4 is a left side elevational view depicting the housing of FIG. 1;

FIG. 5 is a front elevational view depicting the housing of FIG. 1;

FIG. 6 is a rear elevational view depicting the housing of FIG. 1;

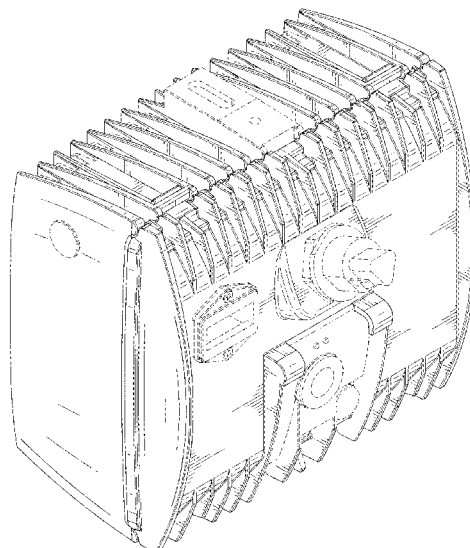
FIG. 7 is a top plan view depicting the housing of FIG. 1; and,

FIG. 8 is a bottom plan view depicting the housing of FIG. 1.

The details shown in broken lines in the figures form no part of the claimed design of a housing for a lighting ballast.

The surface shading shown in the figures represents contour and not surface ornamentation.

**1 Claim, 8 Drawing Sheets**



(56)

**References Cited**

U.S. PATENT DOCUMENTS

D889,718	S	*	7/2020	Kim	.....	D26/63
D889,719	S	*	7/2020	Kim	.....	D26/63
D901,055	S	*	11/2020	Zeng	.....	D26/63
D907,831	S	*	1/2021	Gu	.....	D26/63
D975,333	S	*	1/2023	Chen	.....	D26/118
D994,946	S	*	8/2023	Greenwaldt	.....	D26/74

\* cited by examiner

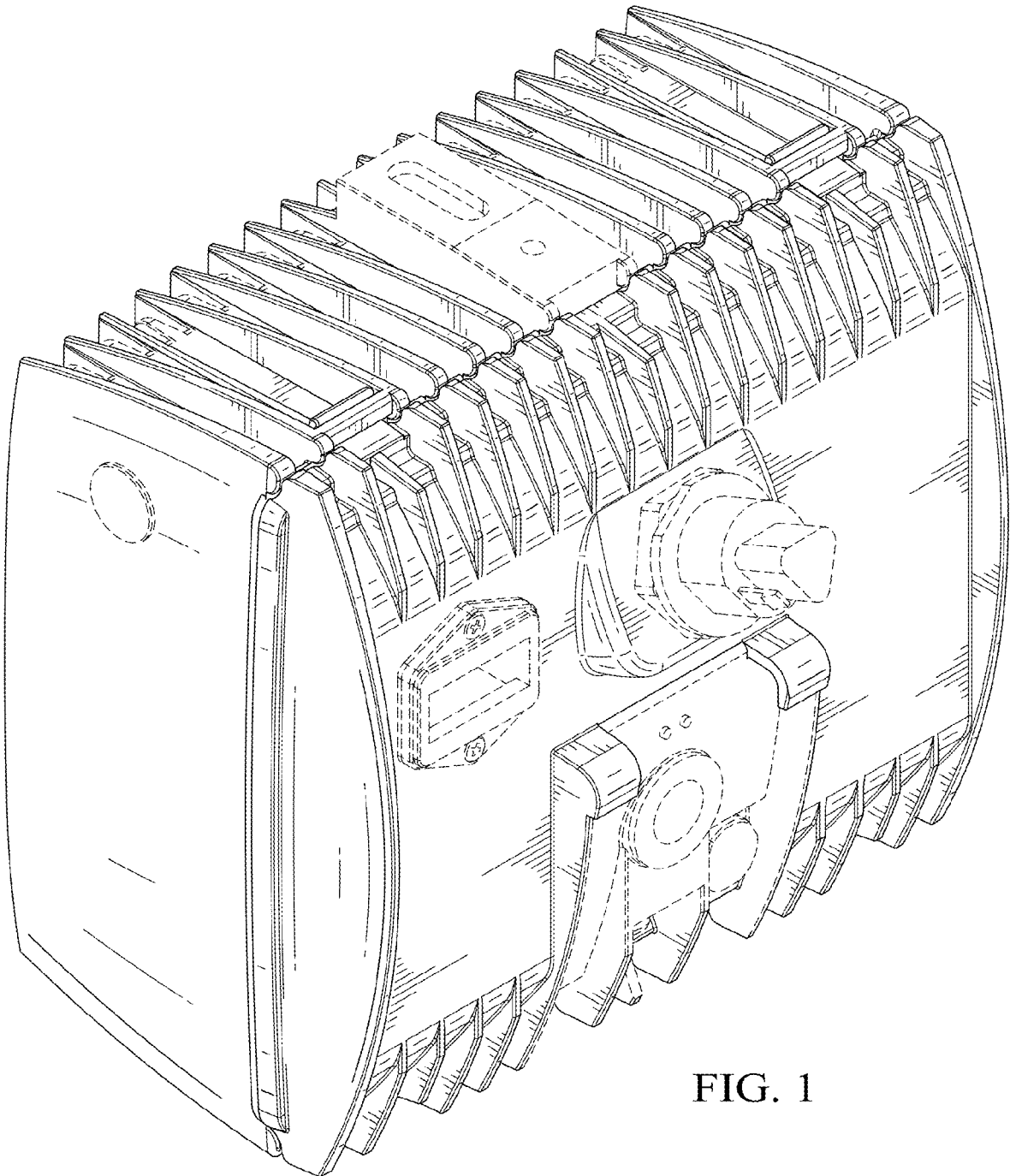


FIG. 1

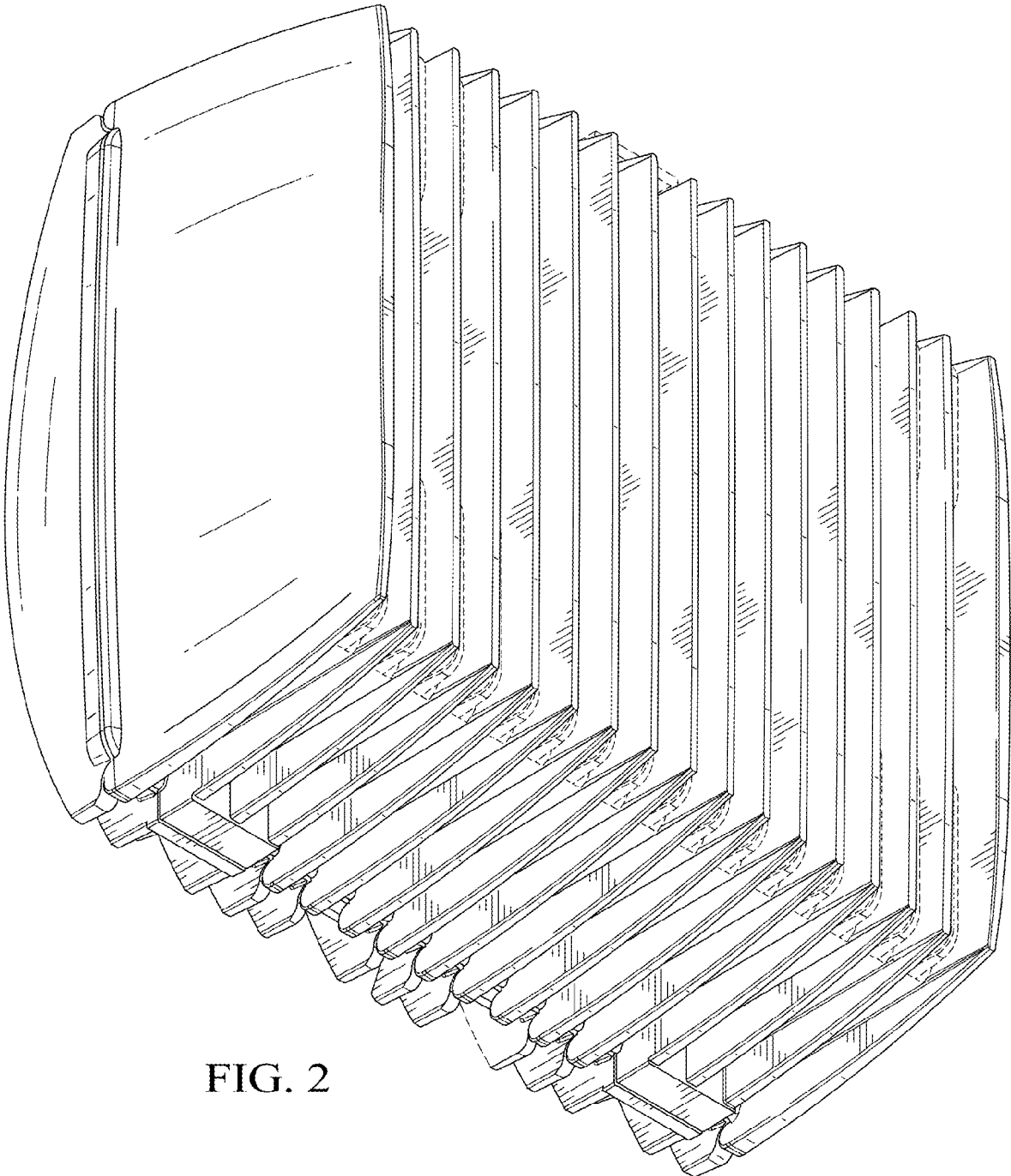


FIG. 2

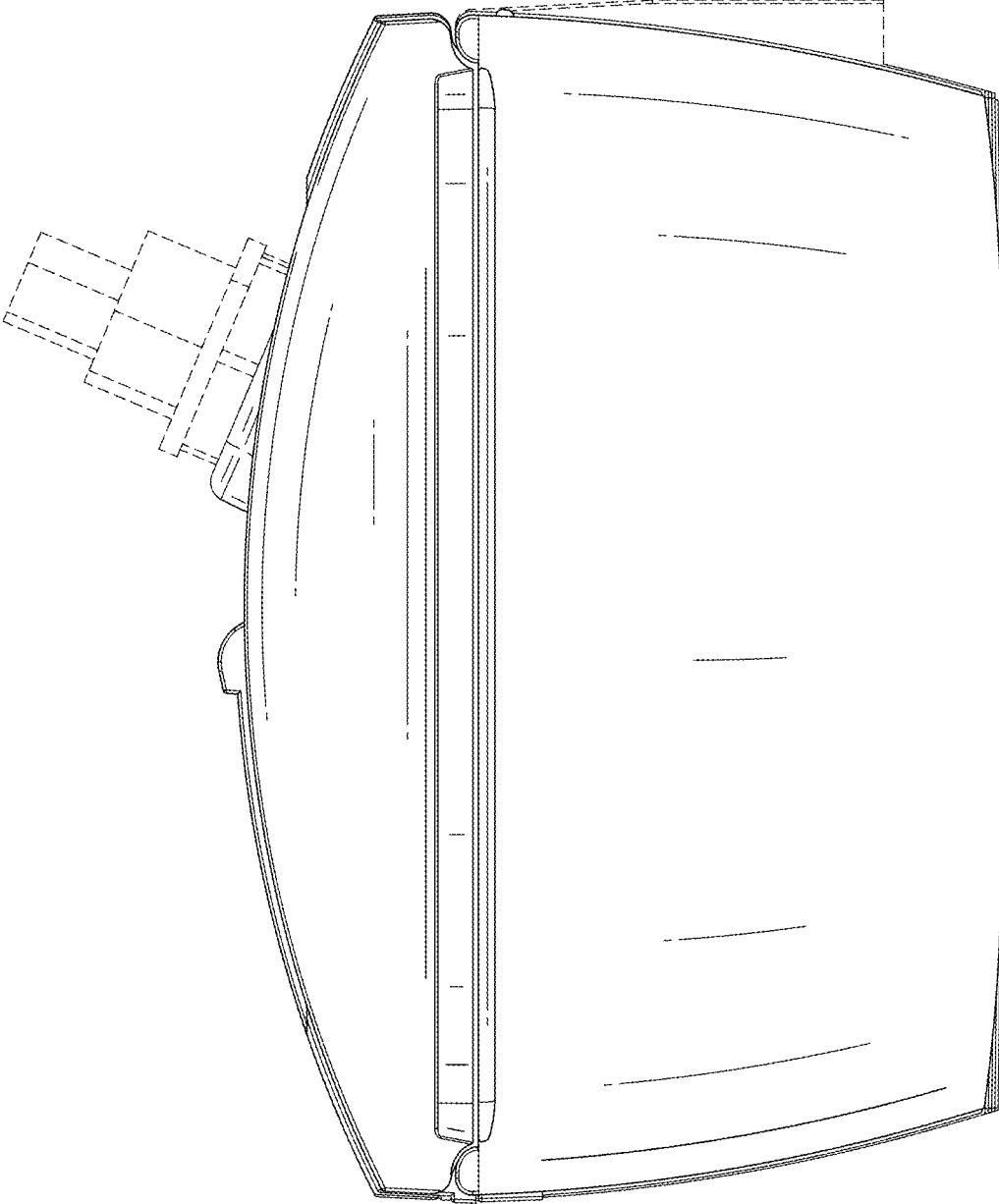


FIG. 3

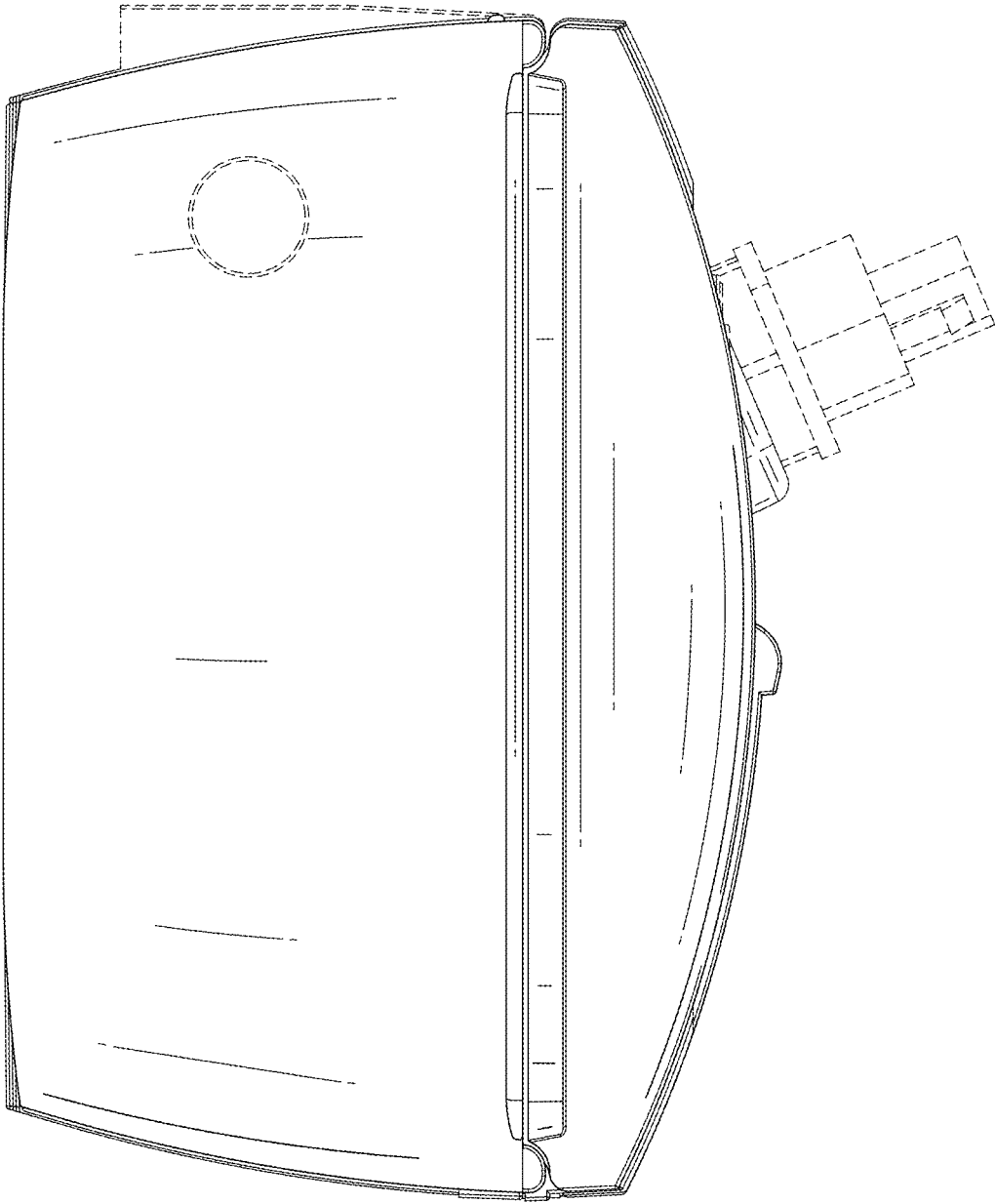


FIG. 4

FIG. 5

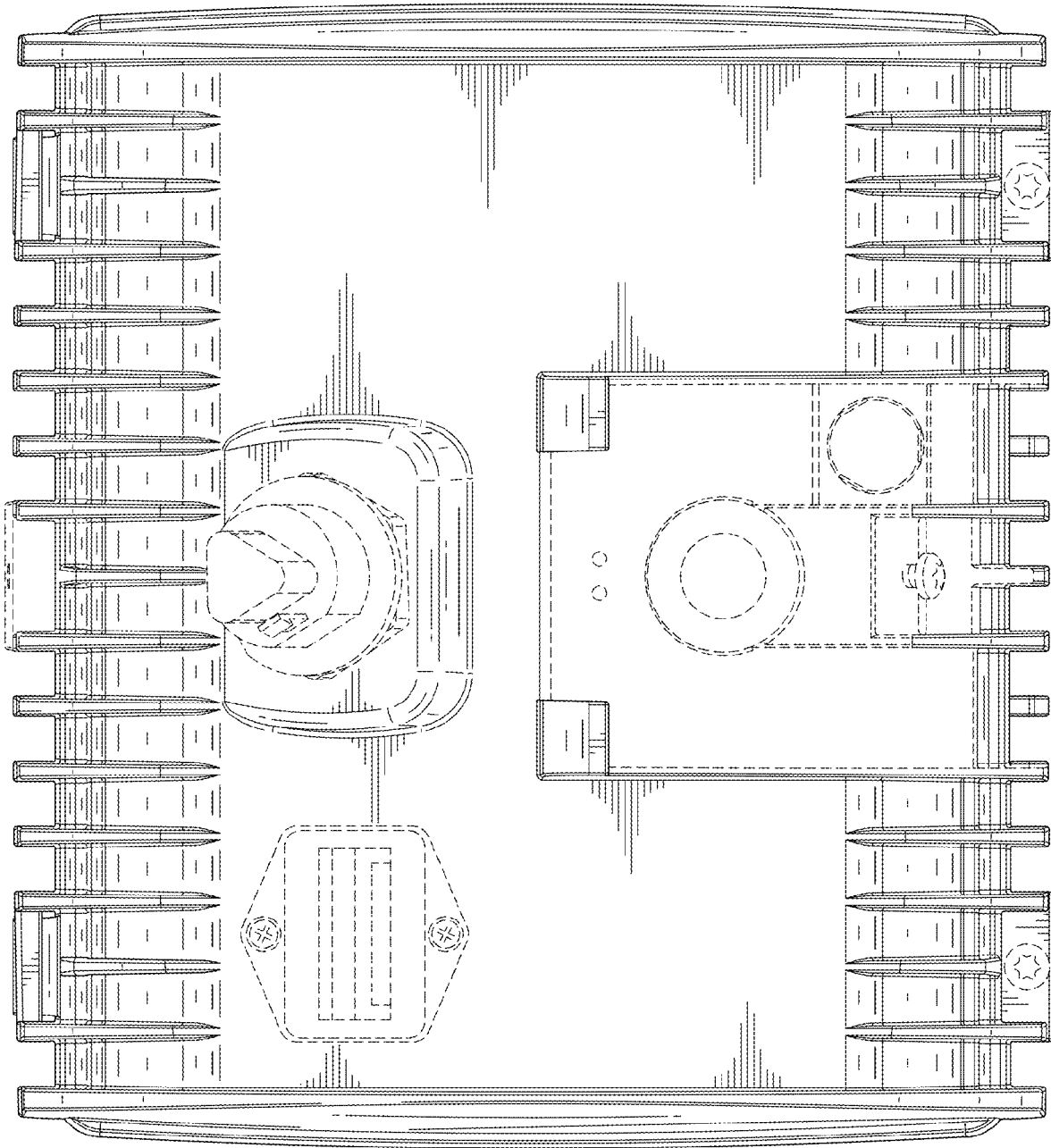
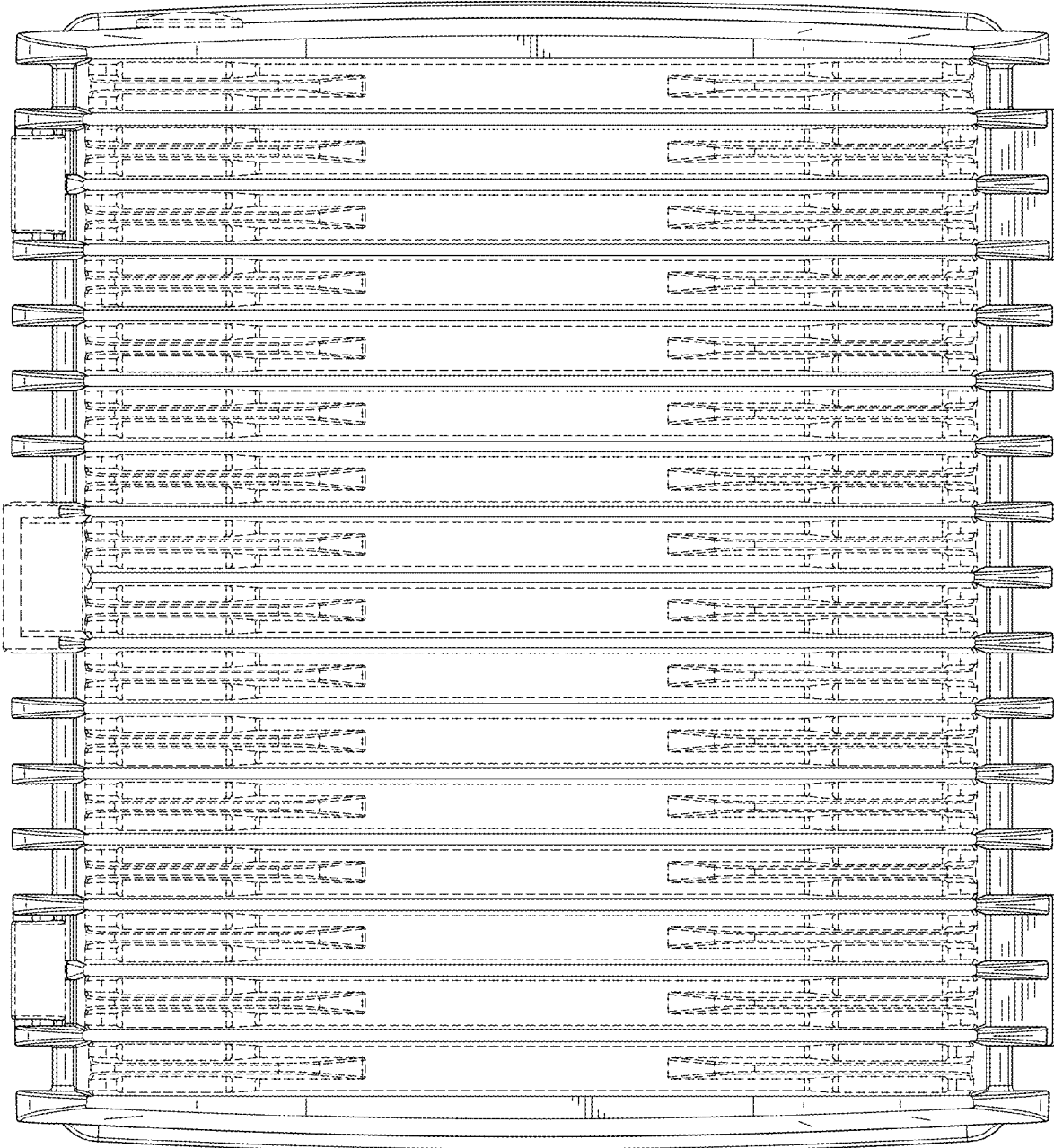


FIG. 6





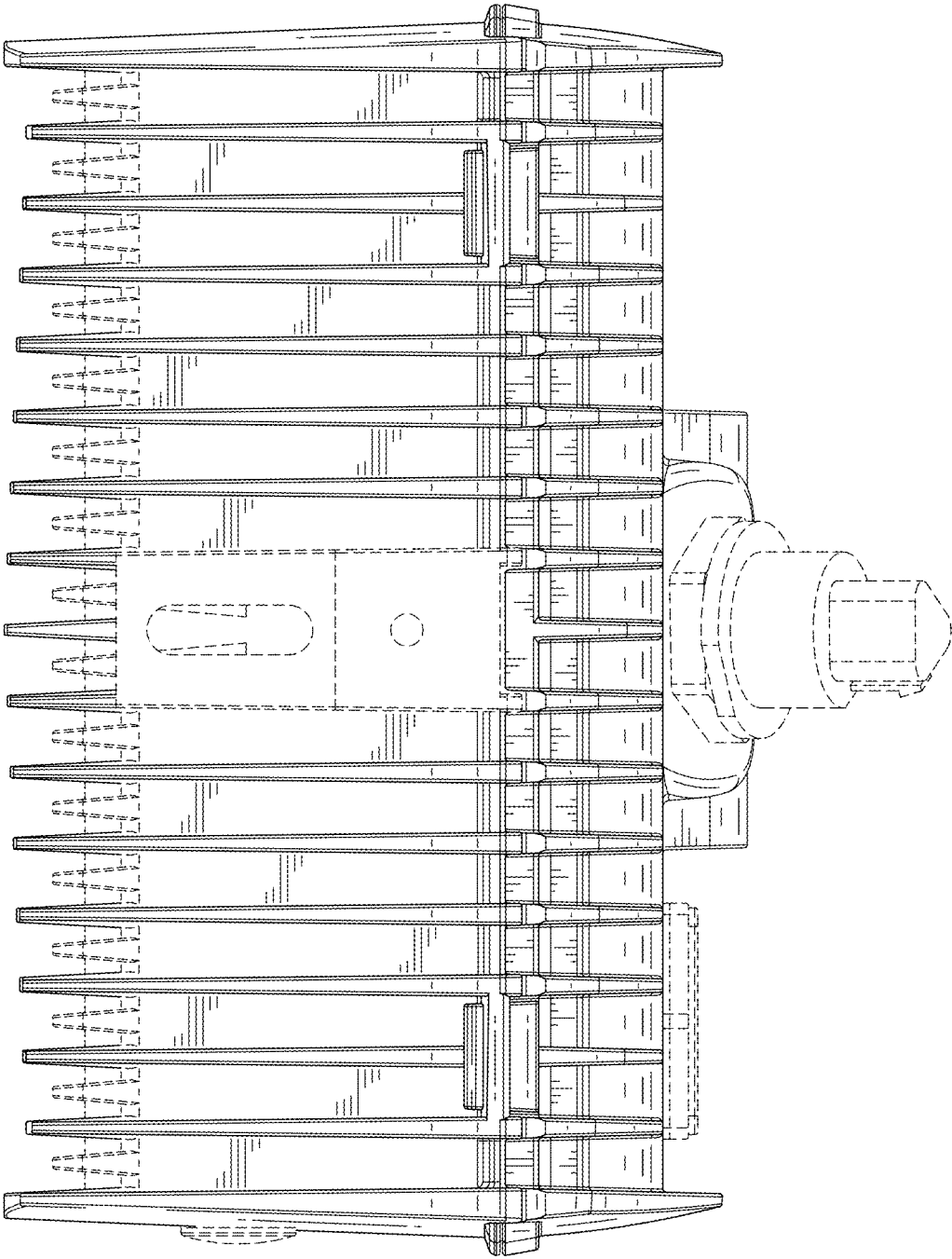


FIG. 7

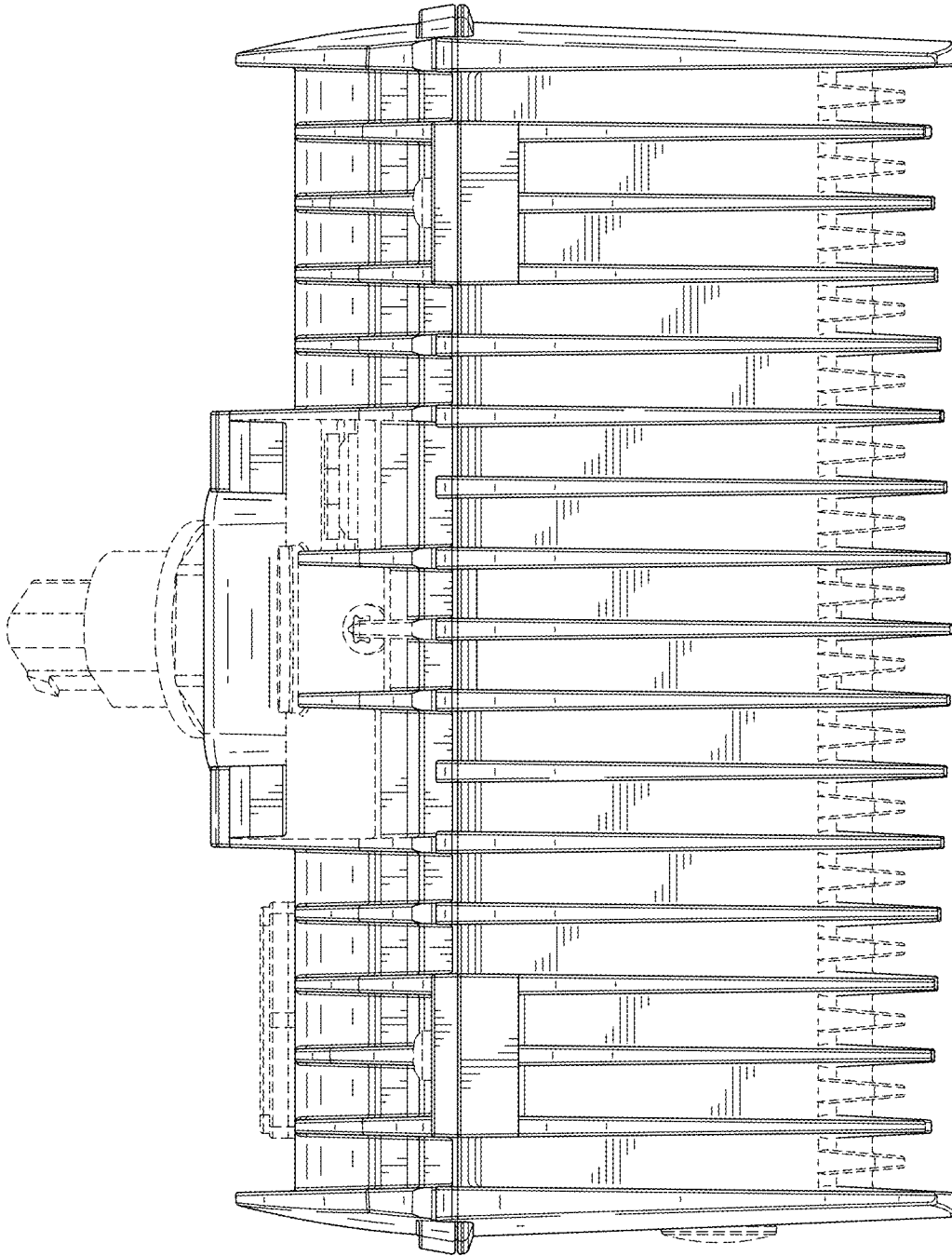


FIG. 8