



US00D420013S

# United States Patent [19]

[11] Patent Number: Des. 420,013

Warren et al.

[45] Date of Patent: \*\* \*Feb. 1, 2000

[54] SLEEVE FOR TOOLING SYSTEM FOR MINERAL WINNING

[75] Inventors: **John Joseph Warren**, Sheffield;  
**William Stephen Clapham**, Barnsley,  
both of United Kingdom

[73] Assignee: **Hydra Tools International Limited**,  
Ecclesfield, United Kingdom

[\*] Notice: This patent is subject to a terminal disclaimer.

[\*\*] Term: **14 Years**

[21] Appl. No.: **29/093,200**

[22] Filed: **Sep. 4, 1998**

[51] LOC (7) Cl. .... **15-04**

[52] U.S. Cl. .... **D15/21; D15/140; D15/139**

[58] Field of Search ..... **D8/71; D15/21,**  
**D15/28, 29, 138-140; 299/79.1, 80.1, 81.1,**  
**81.2; 175/393**

## [56] References Cited

### U.S. PATENT DOCUMENTS

D. 293,798	1/1988	Johnson	.....	D15/140
D. 300,223	3/1989	Livingstone	.....	D15/29
D. 330,900	11/1992	Wakegijig	.....	D15/138
4,678,238	7/1987	Emmerich	.....	299/81
4,694,919	9/1987	Barr	.....	175/393
4,765,686	8/1988	Adams	.....	299/81.1
4,978,173	12/1990	Rothkegel	.....	299/81.1
5,106,166	4/1992	O'Neill	.....	299/86
5,148,880	9/1992	Lee et al.	.....	175/393
5,392,870	2/1995	Clapham et al.	.....	299/81.1
5,730,502	3/1998	Montgomery, Jr.	.....	299/104

### FOREIGN PATENT DOCUMENTS

2247705 11/1992 United Kingdom .

Primary Examiner—Sandra L. Morris  
Attorney, Agent, or Firm—Trexler, Bushnell, Giangiorgi &  
Blackstone, Ltd.

## [57] CLAIM

The ornamental design for a sleeve for tooling system for mineral winning, as shown and described.

## DESCRIPTION

FIG. 1 is a perspective view of a first embodiment of a sleeve for tooling system for mineral winning showing our new design;

FIG. 2 is a top plan view of the first embodiment of the sleeve for tooling system for mineral winning;

FIG. 3 is a first side elevational view of the first embodiment of the sleeve for tooling system for mineral winning;

FIG. 4 is a second side elevational view of the first embodiment of the sleeve for tooling system for mineral winning, the second side elevational view showing the first embodiment of the sleeve for tooling system for mineral winning in a position which is rotated from the position shown in FIG. 3;

FIG. 5 is a bottom plan view of the first embodiment of the sleeve for tooling system for mineral winning;

FIG. 6 is a perspective view of a second embodiment of a sleeve for tooling system for mineral winning showing our new design;

FIG. 7 is a top plan view of the second embodiment of the sleeve for tooling system for mineral winning;

FIG. 8 is a first side elevational view of the second embodiment of the sleeve for tooling system for mineral winning;

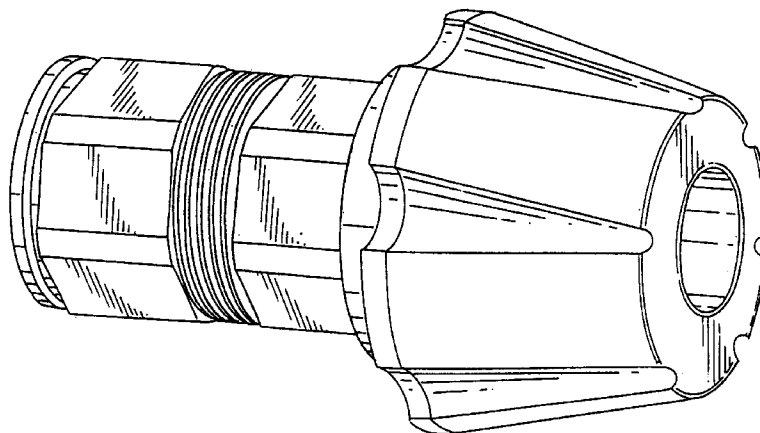
FIG. 9 is a second side elevational view of the second embodiment of the sleeve for tooling system for mineral winning, the second side elevational view showing the second embodiment of the sleeve for tooling system for mineral winning in a position which is rotated from the position shown in FIG. 8; and,

FIG. 10 is a bottom plan view of the second embodiment of the sleeve for tooling system for mineral winning.

It is to be understood that the other side elevational views of the first embodiment would be the same that shown in FIGS. 3 and 4.

It is also to be understood that the other side elevational views of the second embodiment would be the same that shown in FIGS. 8 and 9.

1 Claim, 5 Drawing Sheets



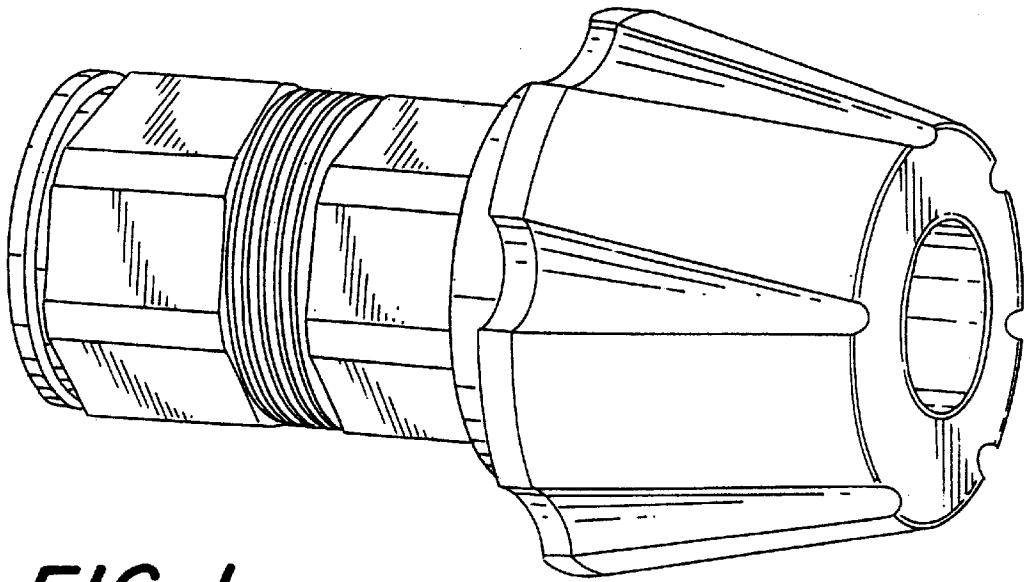


FIG. 1

FIG. 6

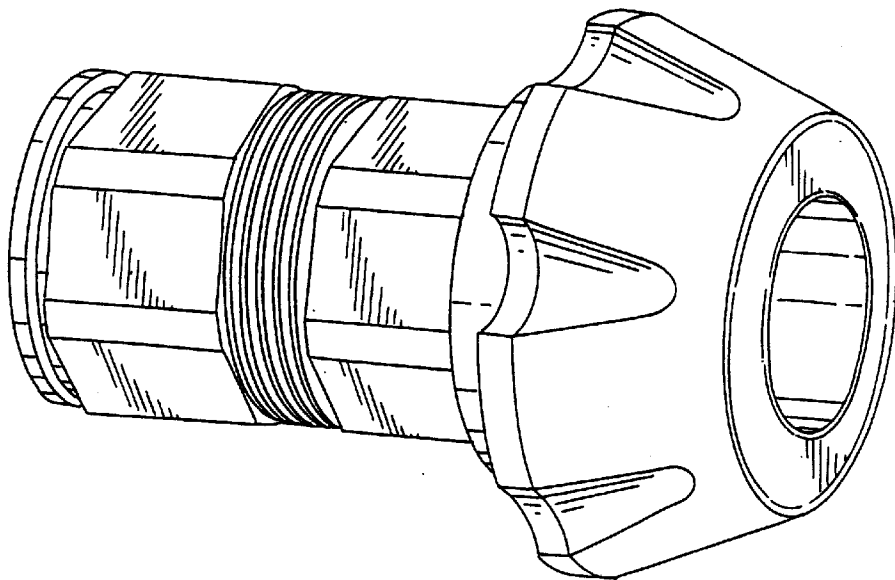


FIG. 2

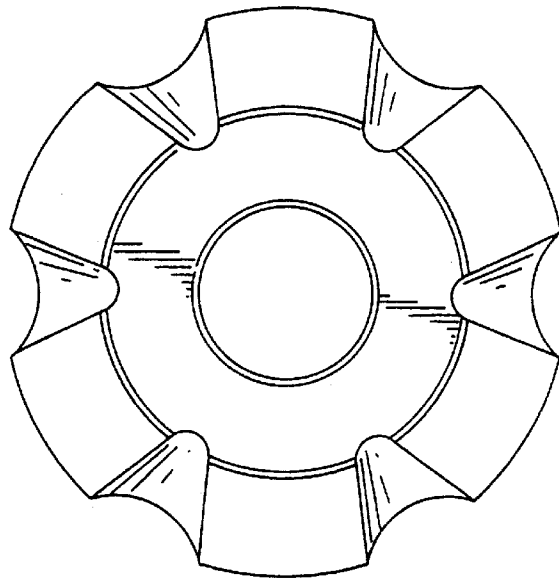


FIG. 3

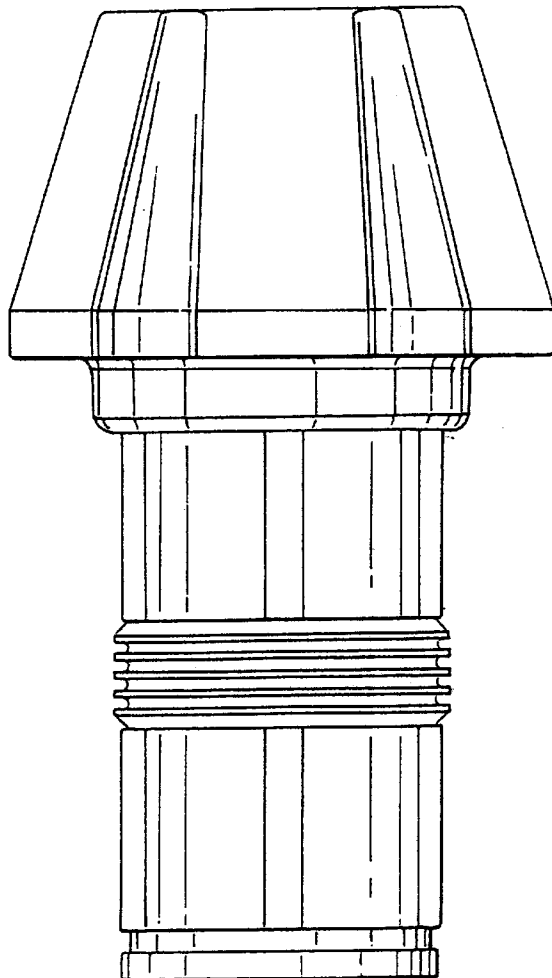


FIG. 4

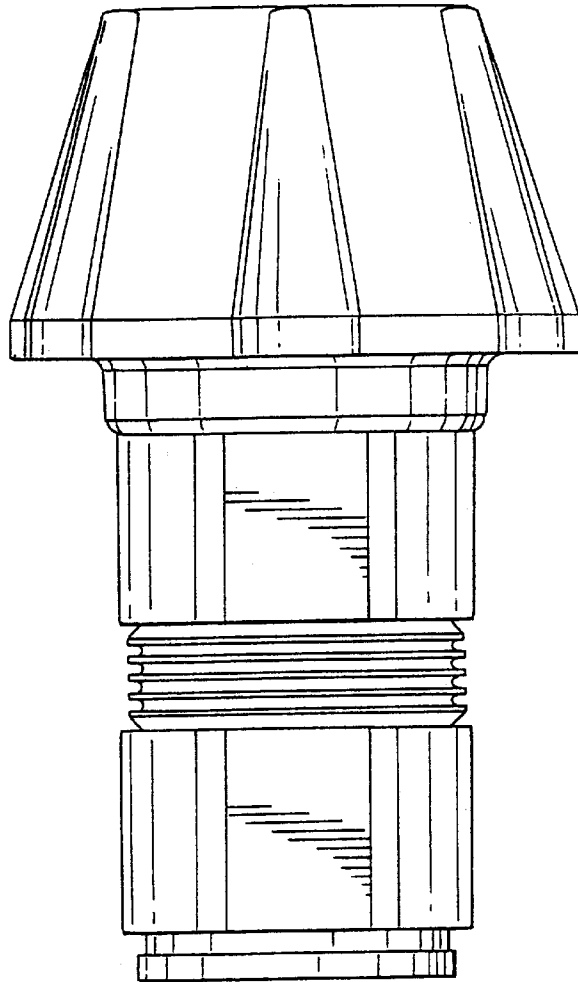


FIG. 5

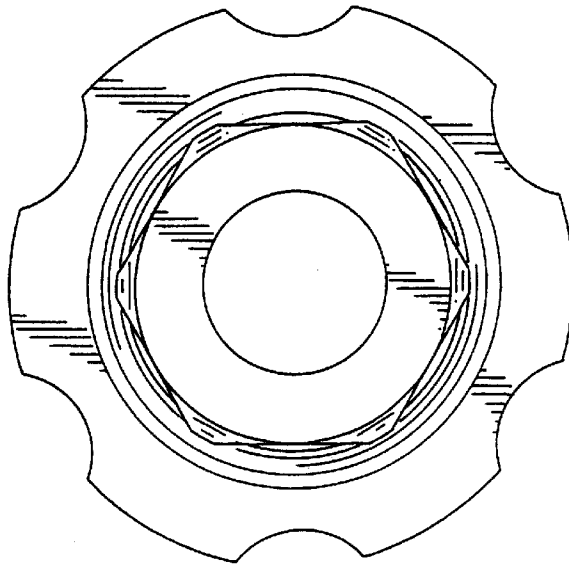


FIG. 7

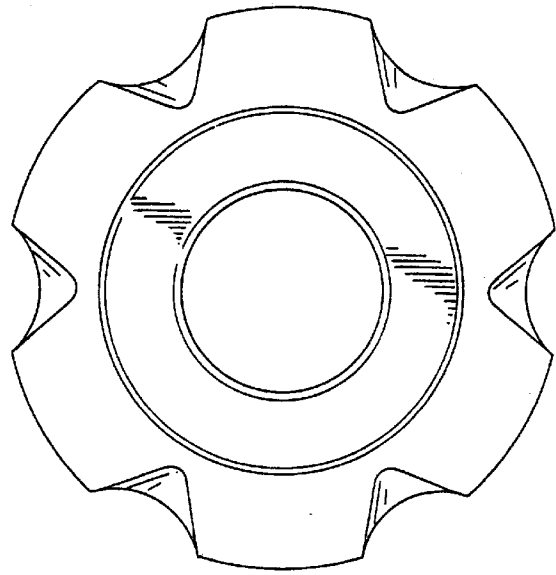
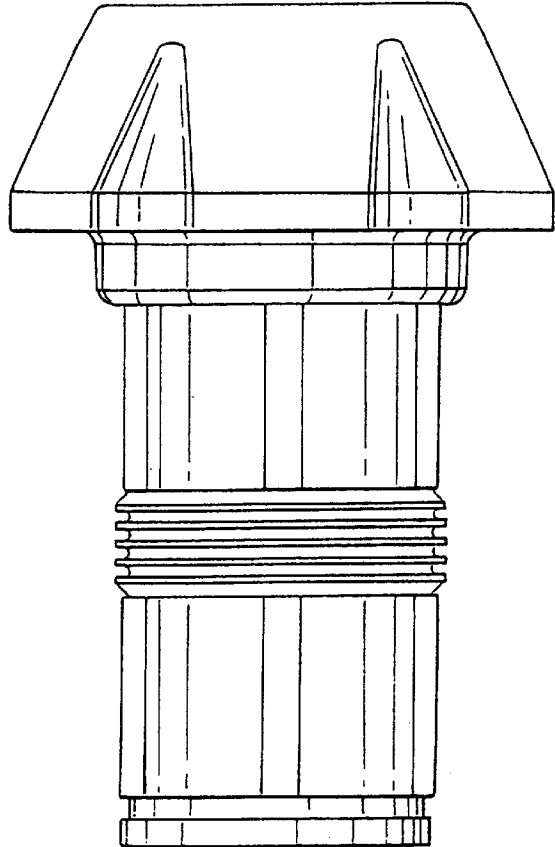
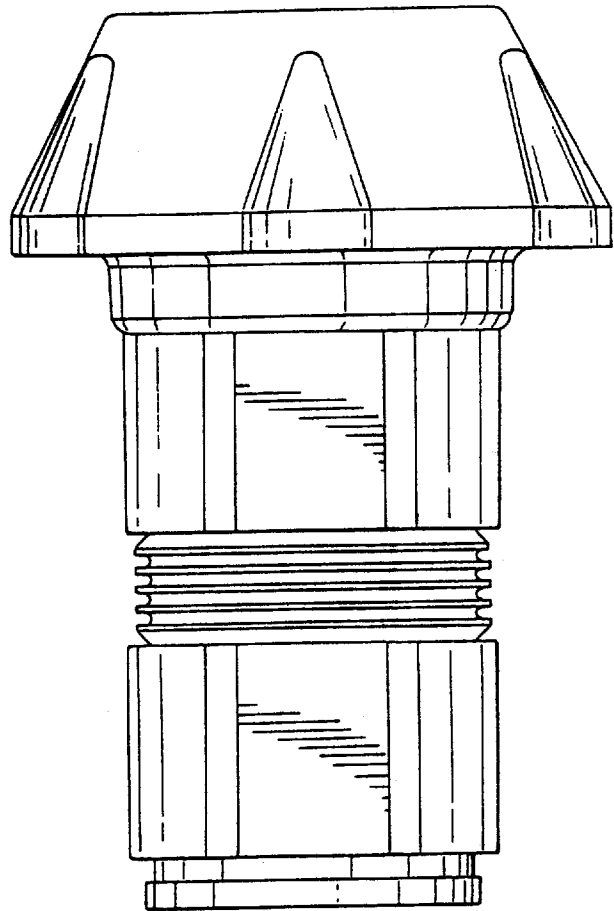


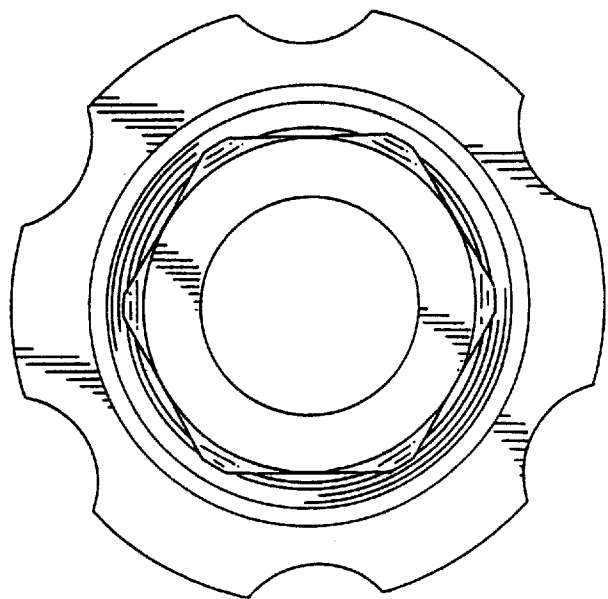
FIG. 8



**FIG. 9**



**FIG. 10**



UNITED STATES PATENT AND TRADEMARK OFFICE  
**CERTIFICATE OF CORRECTION**

PATENT NO. : Des. 420,013  
DATED : February 1, 2000  
INVENTOR(S) : John Joseph Warren and William Stephen Clapham


It is certified that error appears in the above-identified patent and that said Letters Patent is hereby corrected as shown below:

On the title page, insert item [30],  
Priority Data

Should read -- Foreign Application Priority Data --  
-- Great Britain Application No. 9804488.6,  
filed March 4, 1998 --

Signed and Sealed this  
Twenty-first Day of November, 2000

Attest:



Q. TODD DICKINSON

Attesting Officer

Director of Patents and Trademarks