



US00D863656S

(12) **United States Design Patent** (10) **Patent No.:** **US D863,656 S**  
**Klase et al.** (45) **Date of Patent:** **\*\* Oct. 15, 2019**

(54) **LAMP**

(71) Applicant: **Fluence Bioengineering**, Austin, TX (US)

(72) Inventors: **Nicholas Klase**, Austin, TX (US);  
**Randall Johnson**, Austin, TX (US)

(73) Assignee: **Fluence Bioengineering, Inc.**, Austin, TX (US)

(\*\*) Term: **15 Years**

(21) Appl. No.: **29/665,620**

(22) Filed: **Oct. 5, 2018**

**Related U.S. Application Data**

(63) Continuation of application No. 16/043,410, filed on Jul. 24, 2018, now abandoned, which is a continuation of application No. 15/368,878, filed on Dec. 5, 2016, now abandoned, which is a continuation of application No. 14/788,837, filed on Jul. 1, 2015, now Pat. No. 9,541,261.

(51) **LOC (12) Cl.** ..... **26-03**

(52) **U.S. Cl.**  
USPC ..... **D26/113**

(58) **Field of Classification Search**  
USPC ..... D26/72, 76, 80, 81, 84, 86, 88, 90, 113, D26/121, 138, 141  
CPC ..... F21S 8/03; F21S 8/033; F21S 8/04; F21S 8/06; F21S 8/061; F21S 8/063; F21S 4/28; F21S 8/006; F21W 2131/301; F21V 14/02; F21V 21/34; F21V 21/08; F21V 21/0808; F21V 21/096; F21V 21/0965

See application file for complete search history.

(56) **References Cited**

U.S. PATENT DOCUMENTS

D480,172 S *	9/2003	Herst	.....	D26/121
D537,187 S *	2/2007	Lucatello	.....	D26/90
D653,791 S *	2/2012	Toyohisa	.....	D26/80
D700,989 S *	3/2014	Rampolla	.....	D26/88
D731,103 S *	6/2015	Wilke	.....	D26/86
D786,483 S *	5/2017	Sonneman	.....	D26/90
D799,734 S	10/2017	Zolotykh et al.	.....	
D829,960 S *	10/2018	Sonneman	.....	D26/90
D849,991 S *	5/2019	Piedra	.....	D26/118

\* cited by examiner

*Primary Examiner* — Brian N. Vinson

(74) *Attorney, Agent, or Firm* — Edward S. Podszus

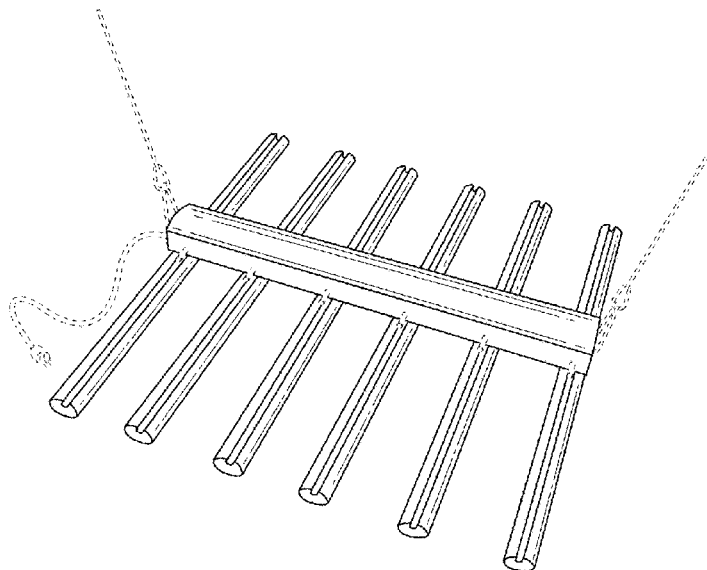
(57) **CLAIM**

The ornamental design for a lamp, as shown and described.

**DESCRIPTION**

FIG. 1 is a perspective view of the new design for a lamp as seen from the top, front;  
FIG. 2 is a front elevational view thereof;  
FIG. 3 is a rear elevational view thereof;  
FIG. 4 is a right side elevational view thereof;  
FIG. 5 is a left side elevational view thereof;  
FIG. 6 is a top plan view thereof; and,  
FIG. 7 is a bottom view thereof.  
The broken line disclosure is for environmental purposes only and does not form a part of the claimed design.

**1 Claim, 7 Drawing Sheets**



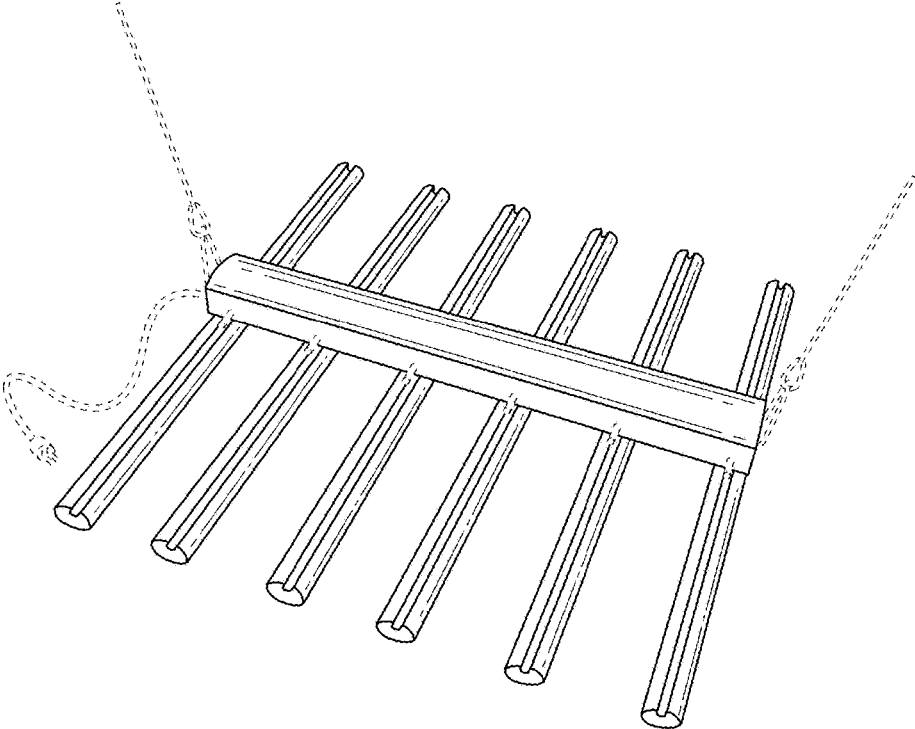


FIG. 1

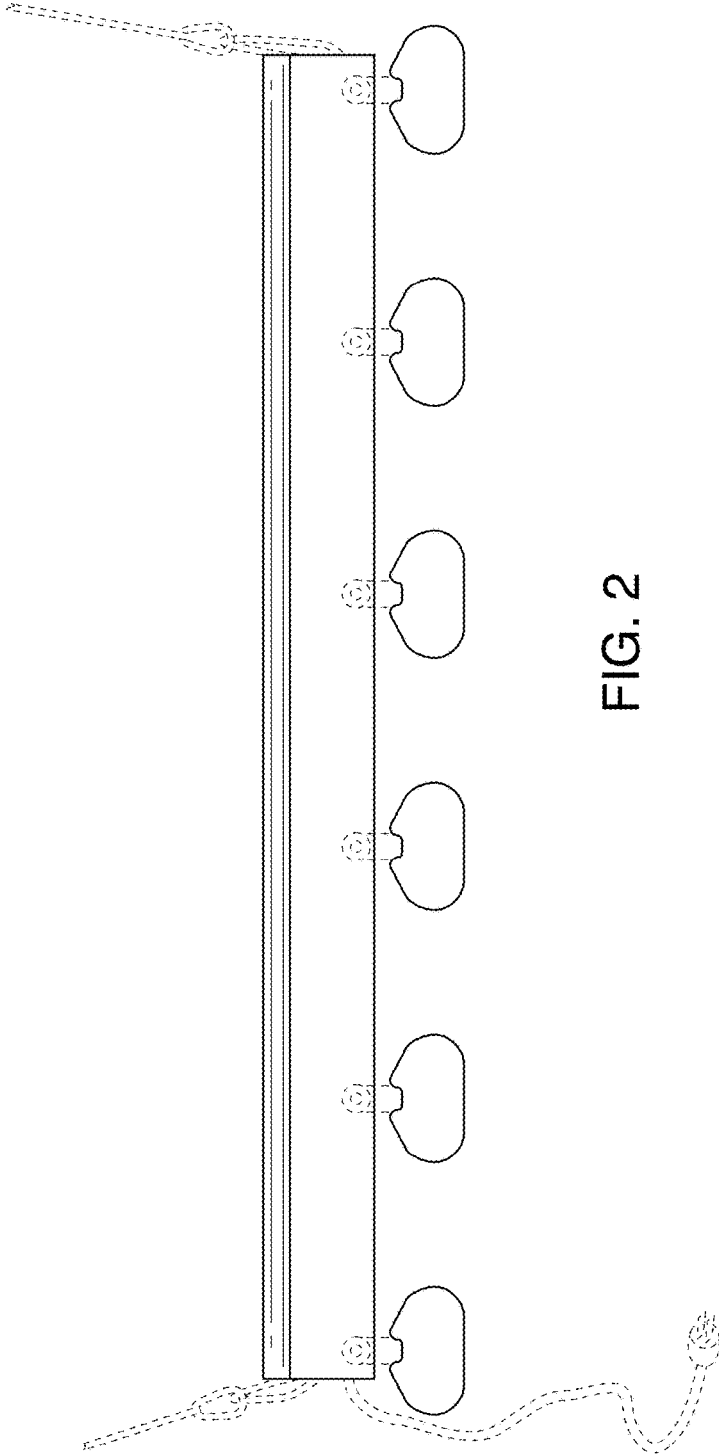


FIG. 2

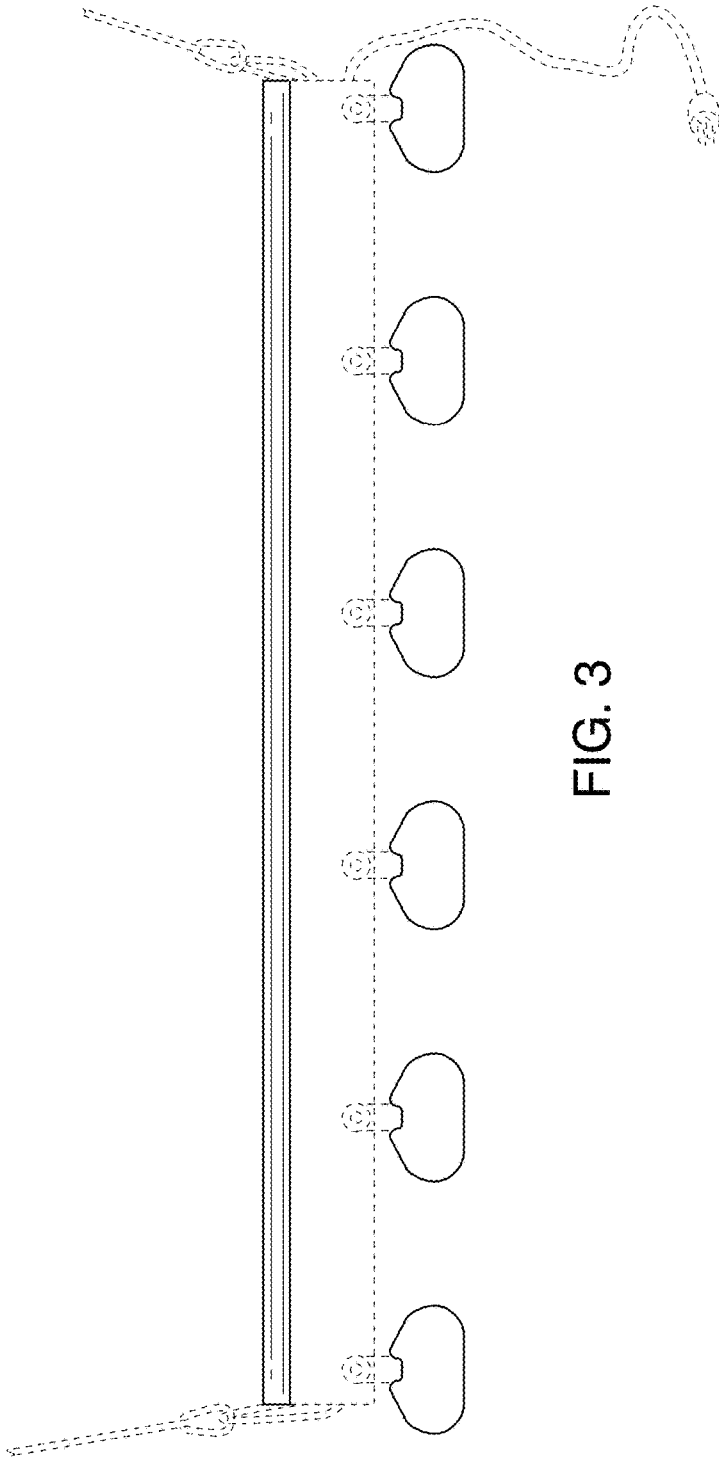


FIG. 3

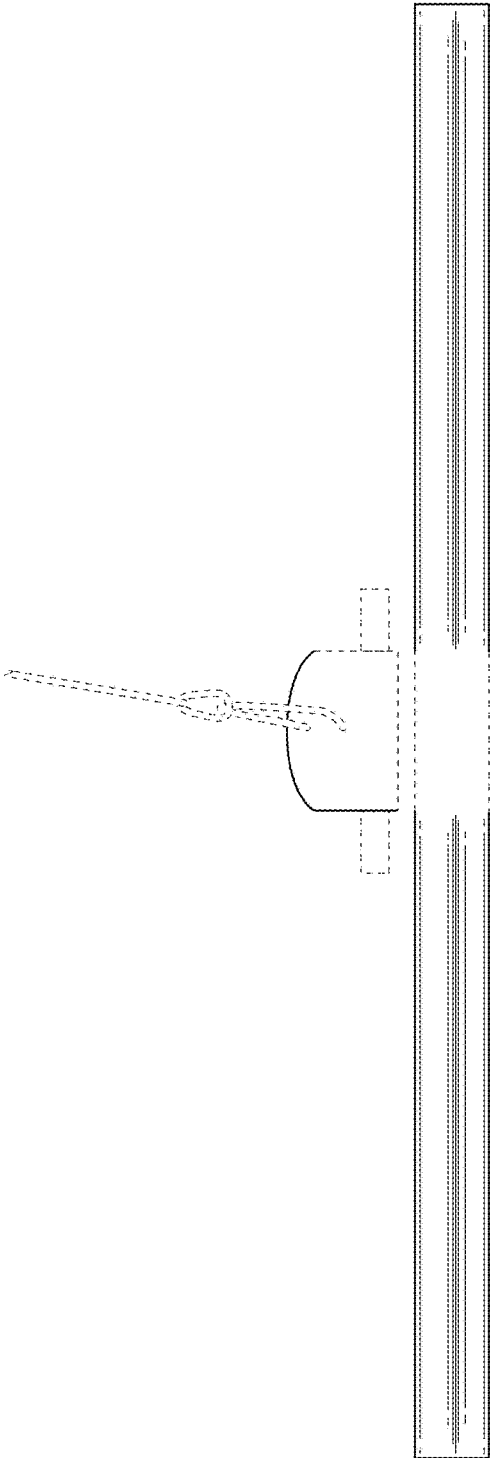


FIG. 4

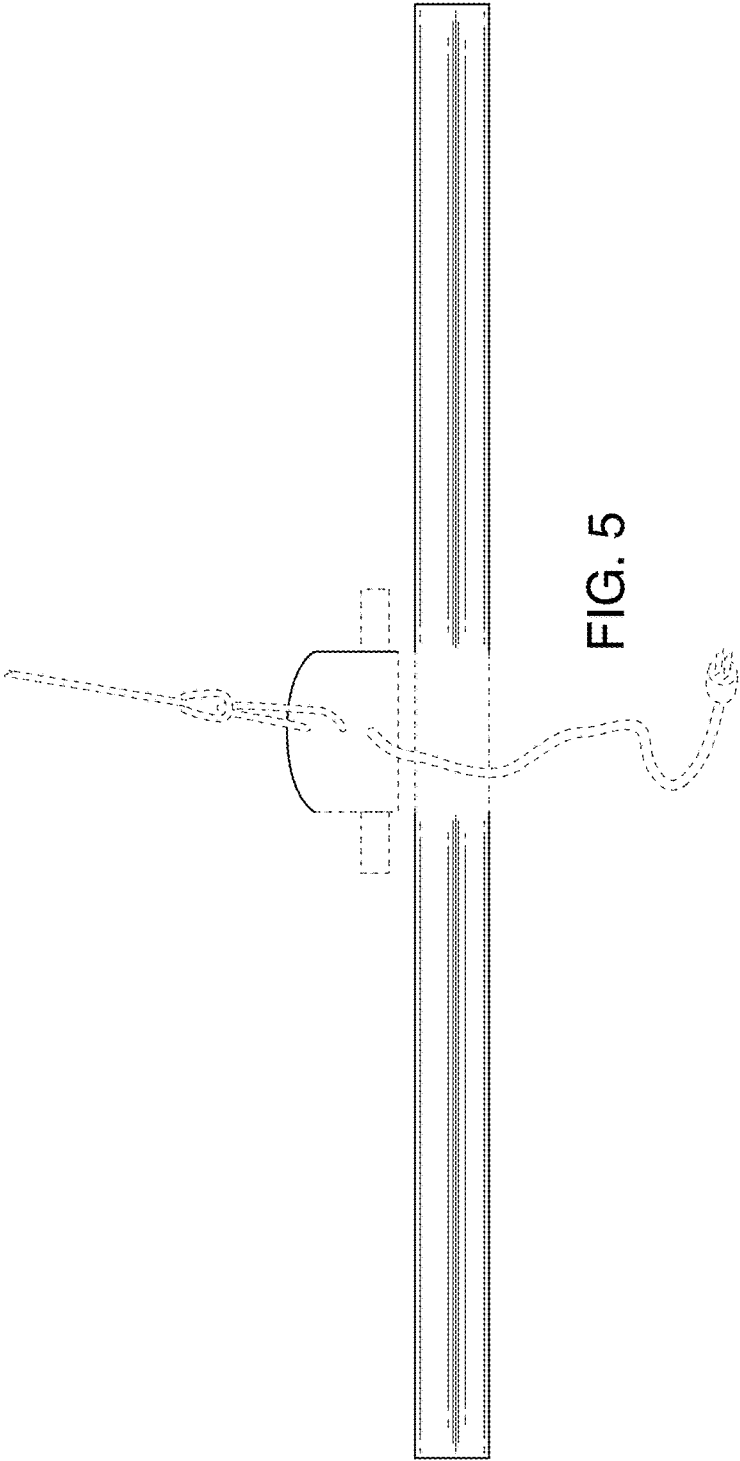


FIG. 5

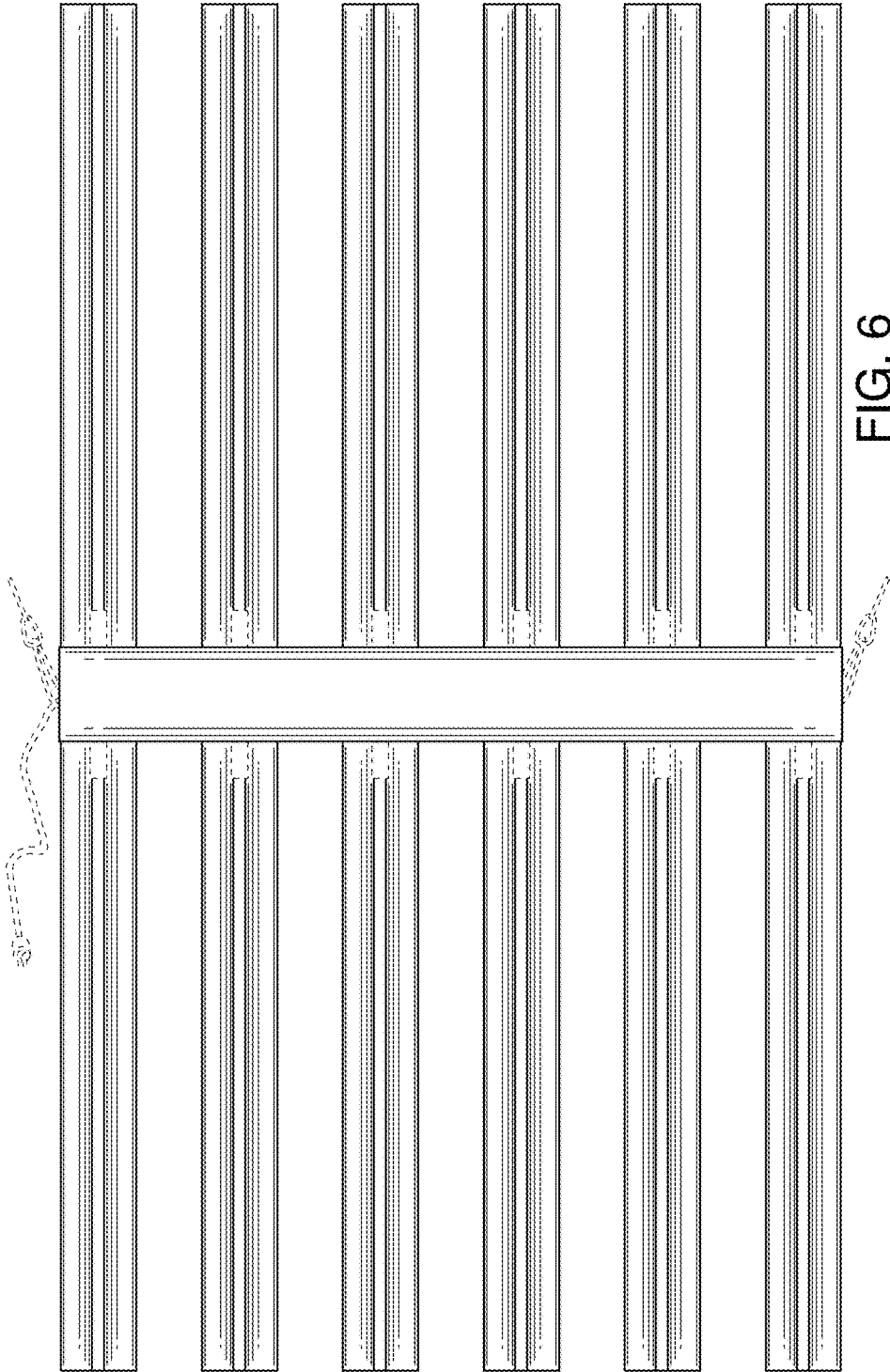


FIG. 6

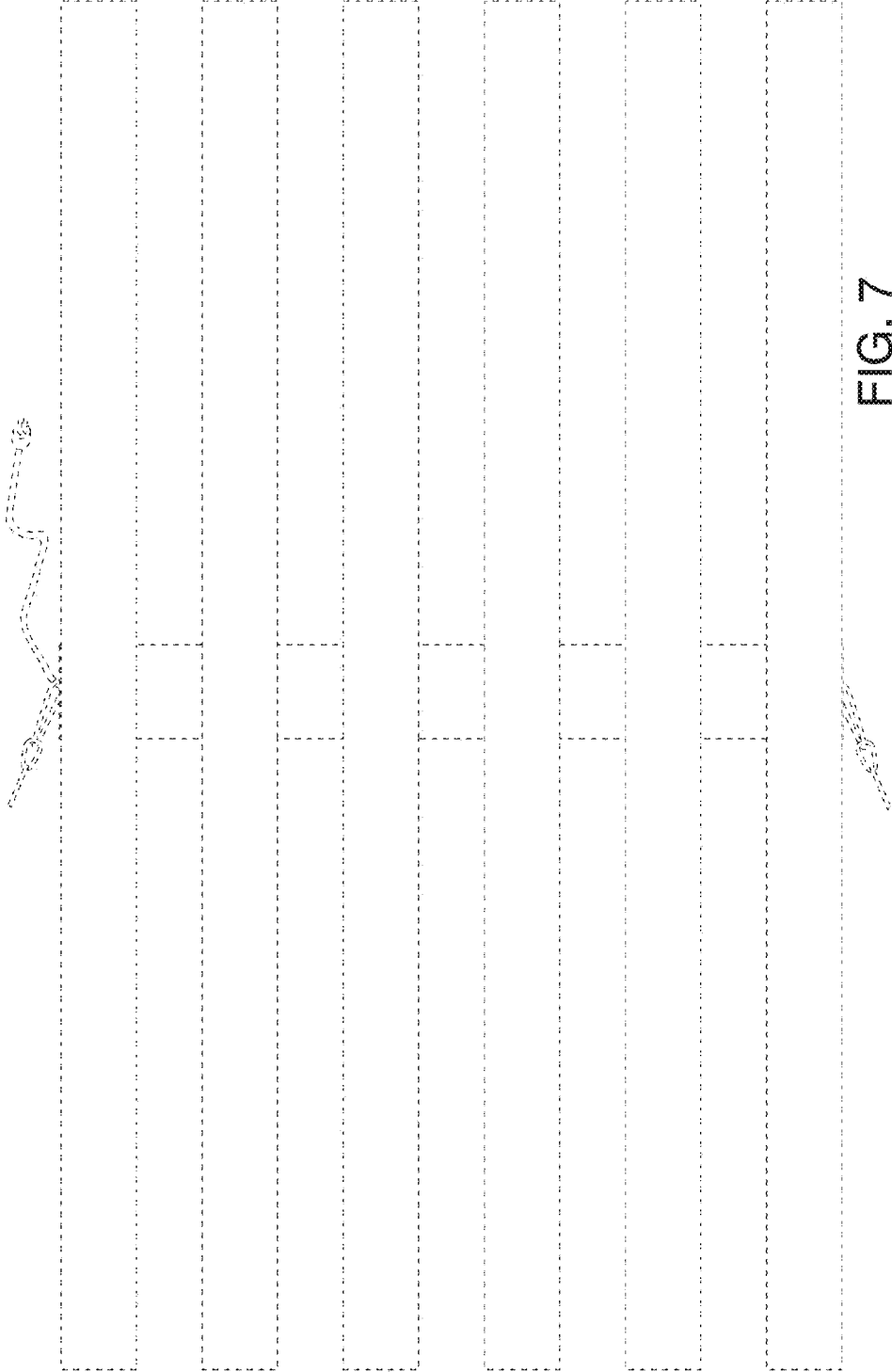


FIG. 7