



US00D957338S

(12) **United States Design Patent**
Esses

(10) **Patent No.:** **US D957,338 S**

(45) **Date of Patent:** **** *Jul. 12, 2022**

(54) **EXTENSION CABLE CONNECTOR SET**

(71) Applicant: **Alfred Esses**, Brooklyn, NY (US)

(72) Inventor: **Alfred Esses**, Brooklyn, NY (US)

(*) Notice: This patent is subject to a terminal disclaimer.

(**) Term: **15 Years**

(21) Appl. No.: **29/685,465**

(22) Filed: **Mar. 28, 2019**

(51) **LOC (13) Cl.** **13-03**

(52) **U.S. Cl.**
USPC **D13/133**

(58) **Field of Classification Search**
USPC D13/103, 107, 108, 133, 137.1–137.4,
D13/139.1–139.7, 144, 149, 152, 154,
D13/156
CPC H01R 13/00; H01R 13/04; H01R 13/10;
H01R 13/633; H01R 13/635; H01R
13/666; H01R 13/675; H01R 13/6275;
H01R 25/006; H01R 25/165
See application file for complete search history.

(56) **References Cited**

U.S. PATENT DOCUMENTS

D422,558 S *	4/2000	Reiss	D13/133
D424,016 S *	5/2000	Gipson	D13/133
D425,860 S *	5/2000	Goto	D13/133
D434,377 S *	11/2000	Bussett	D13/133
D500,475 S *	1/2005	Noro	D13/133
D514,523 S *	2/2006	Lee	D13/156
D546,284 S *	7/2007	Weikel	D13/133
D549,174 S *	8/2007	Lee	D13/133
D568,822 S *	5/2008	Kuo	D13/133
D577,671 S *	9/2008	Schnitzler	D13/133
D586,750 S *	2/2009	Li	D13/133

(Continued)

OTHER PUBLICATIONS

Extension Connector, Jan. 1, 2012, [online], [site visited Aug. 24, 2020], Available from Internet URL: <https://www.cableorganizer.com/cord-connect/> (Year: 2011).*

Primary Examiner — Calvin E Vansant

(74) *Attorney, Agent, or Firm* — Bochner IP, PLLC;
Andrew D. Bochner

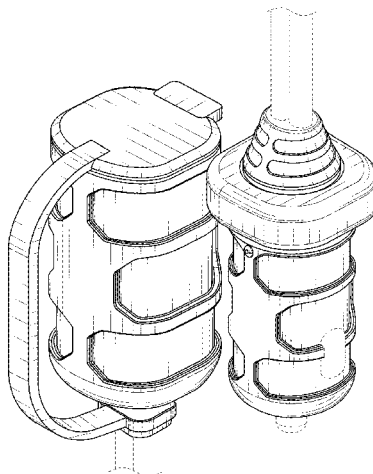
(57) **CLAIM**

The ornamental design for extension cable connector set, as shown and described.

DESCRIPTION

FIG. 1 is a back isometric view of a first embodiment of extension cable connector set;
FIG. 2 is a front perspective view of the first embodiment thereof;
FIG. 3 is a back perspective view of the first embodiment thereof;
FIG. 4 is a top perspective view of the first embodiment thereof;
FIG. 5 is a bottom perspective view of the first embodiment thereof;
FIG. 6 is a left side perspective view of the first embodiment thereof;
FIG. 7 is a right side perspective view of the first embodiment thereof;
FIG. 8 is a front perspective view of a second embodiment of extension cable connector set;
FIG. 9 is a back perspective view of the second embodiment thereof;
FIG. 10 is a top perspective view of the second embodiment thereof;
FIG. 11 is a bottom perspective view of the second embodiment thereof;
FIG. 12 is a left side perspective view of the second embodiment thereof; and,
FIG. 13 is a right side perspective view of the second embodiment thereof.
The broken lines depict unclaimed environment. The broken lines and regions bounded by the broken lines form no part of the claimed design.

1 Claim, 11 Drawing Sheets



(56)

References Cited

U.S. PATENT DOCUMENTS

D597,947	S *	8/2009	Ono	D13/133
D605,596	S *	12/2009	Sakamoto	D13/133
D606,022	S *	12/2009	Sakamoto	D13/133
D617,272	S *	6/2010	The	D13/133
D638,799	S *	5/2011	The	D13/154
D676,389	S *	2/2013	Worth	D13/147
D701,494	S *	3/2014	Errato, Jr. H01R 13/5845	D13/154
D769,816	S *	10/2016	Esses	D13/107
9,671,567	B2 *	6/2017	Dobler G02B 6/3817	
D794,567	S *	8/2017	Fries	D13/133
D801,271	S *	10/2017	Tanaka	D13/133
D801,282	S *	10/2017	Hsieh	D13/154
D889,416	S *	7/2020	Zhao	D13/153

* cited by examiner

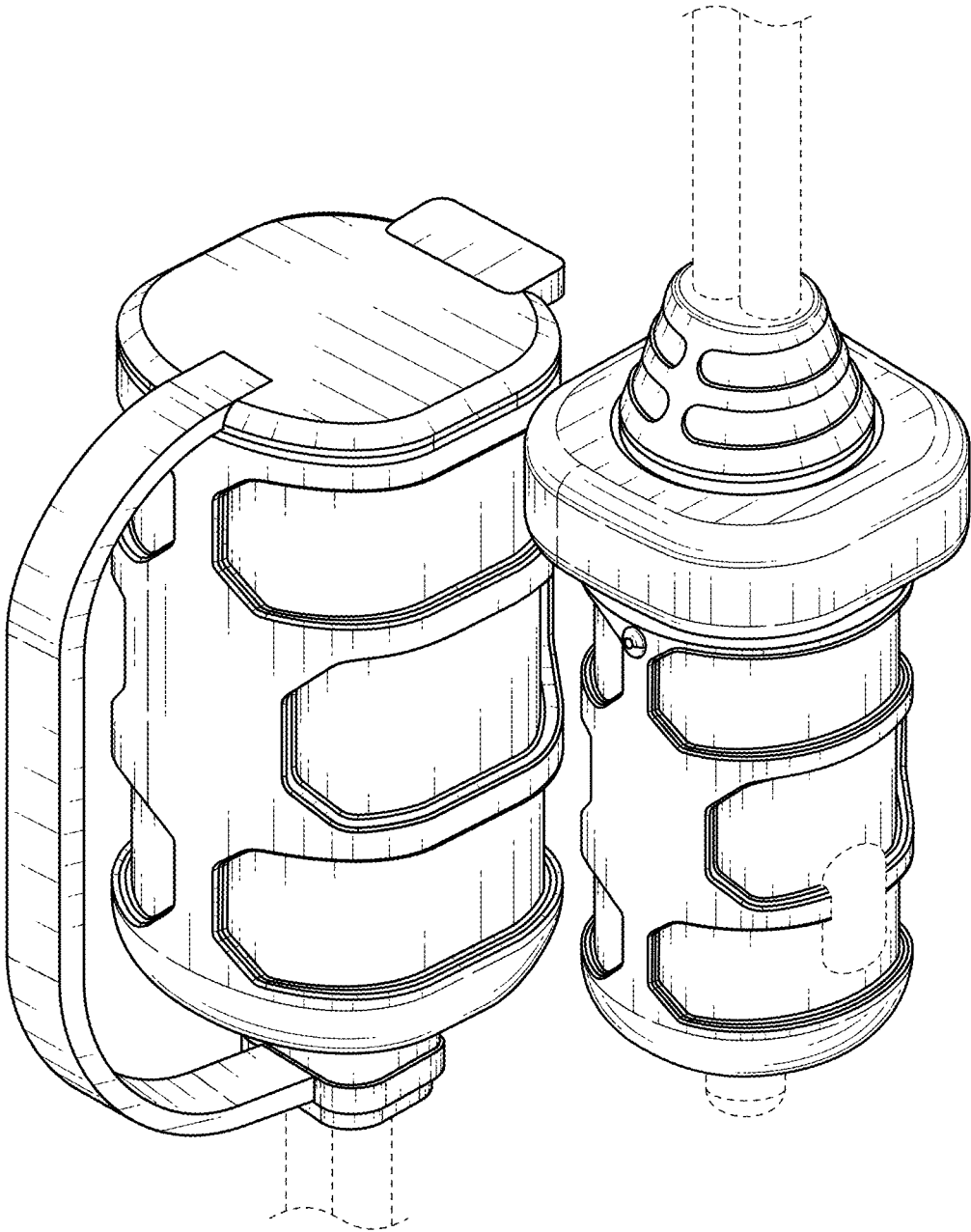


FIG. 1

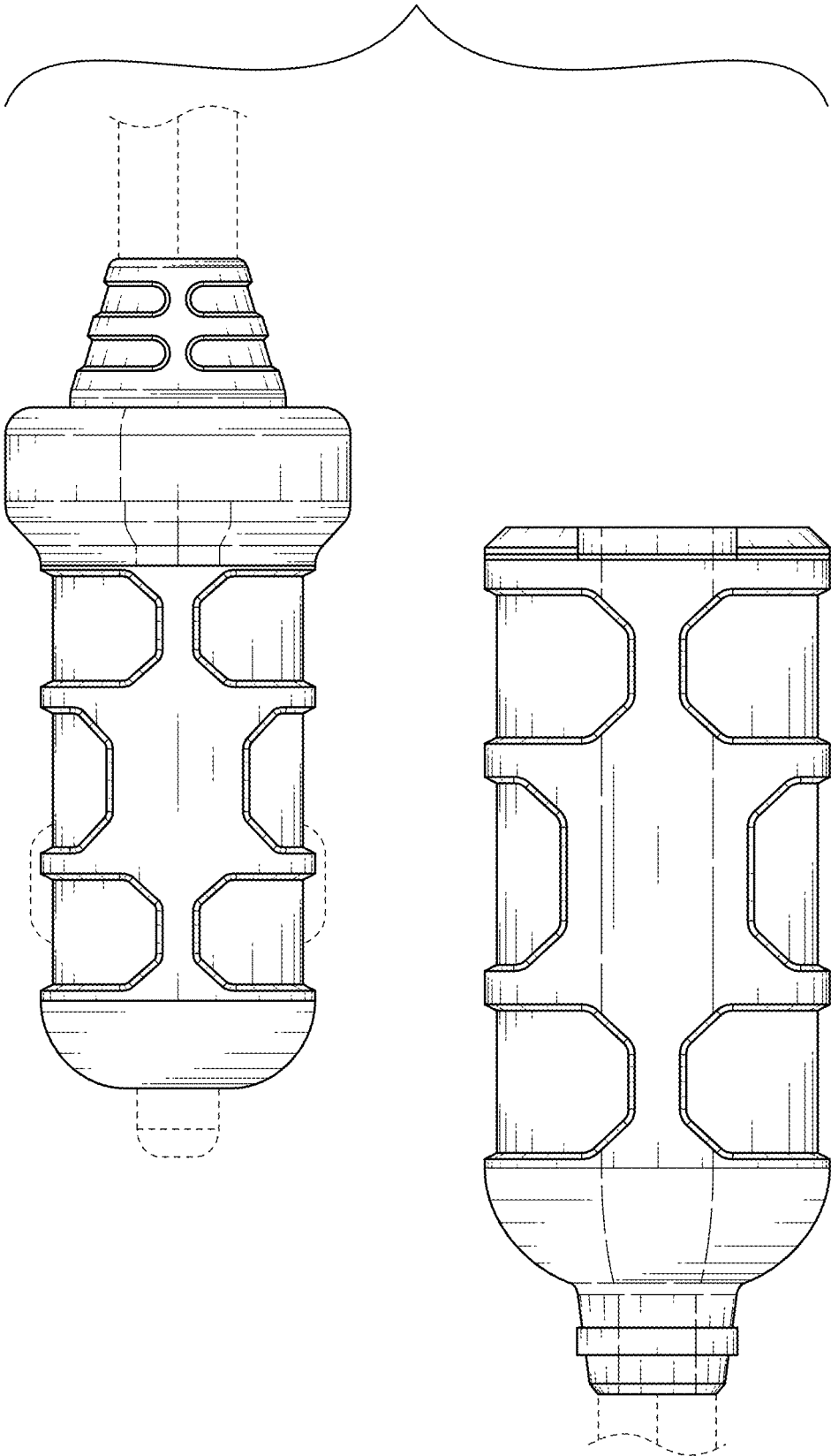


FIG. 2

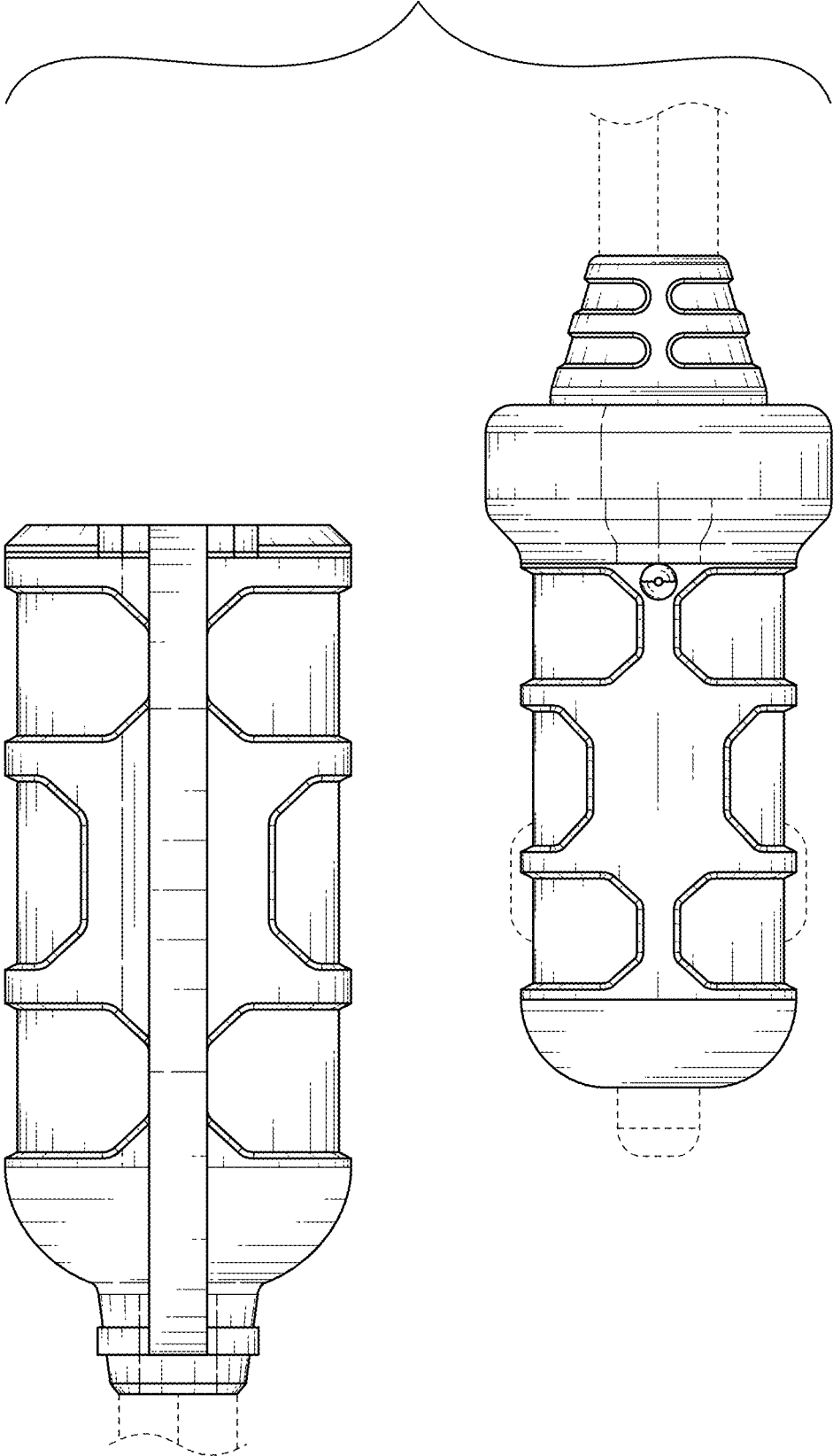


FIG. 3

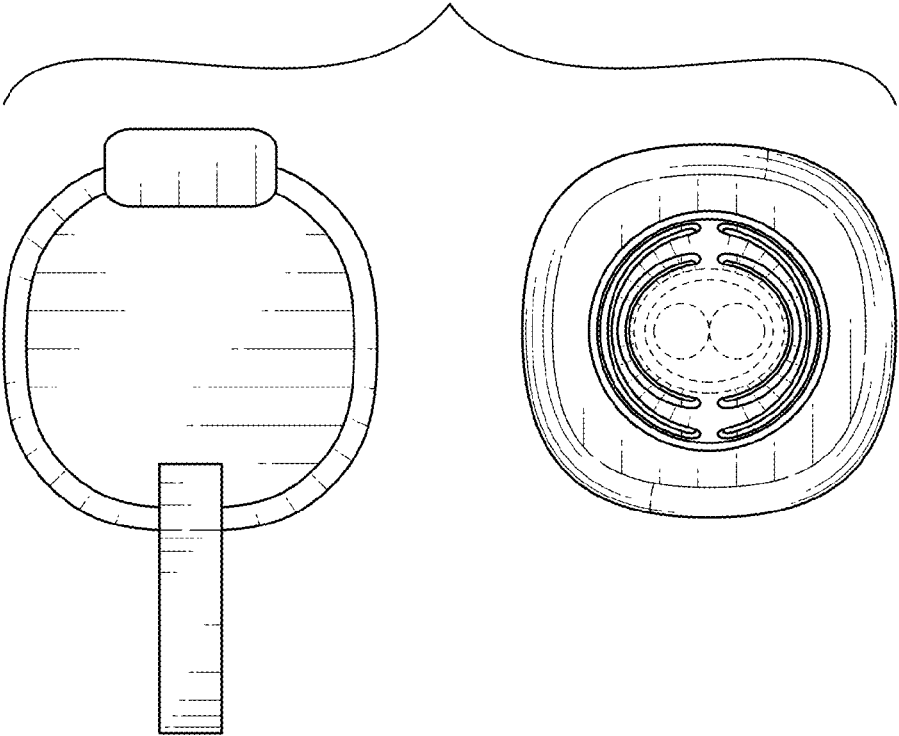


FIG. 4

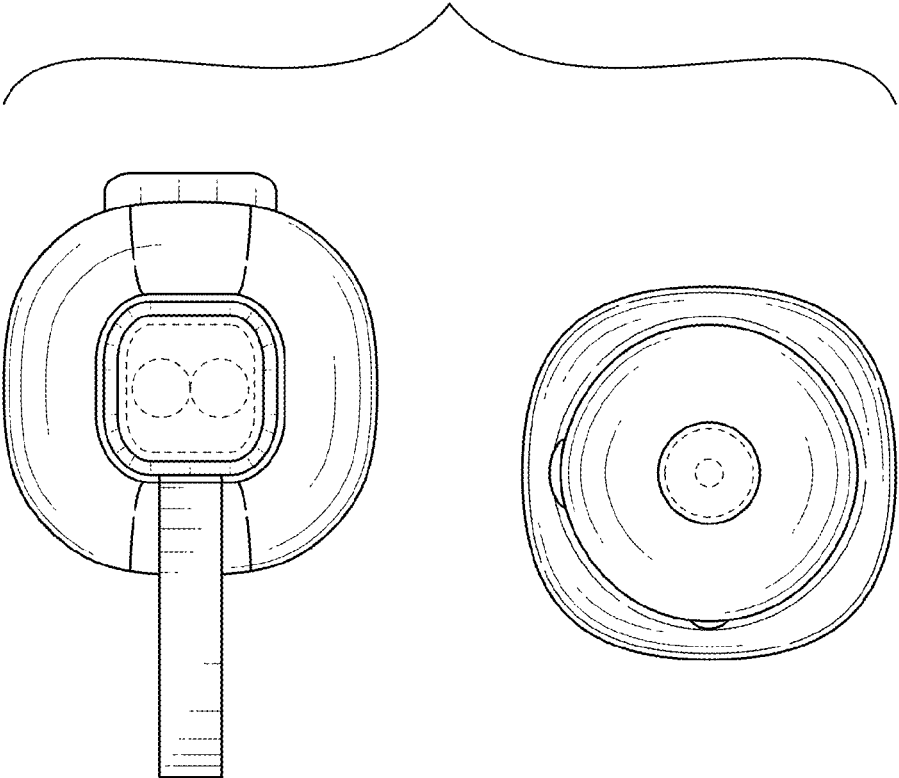


FIG. 5

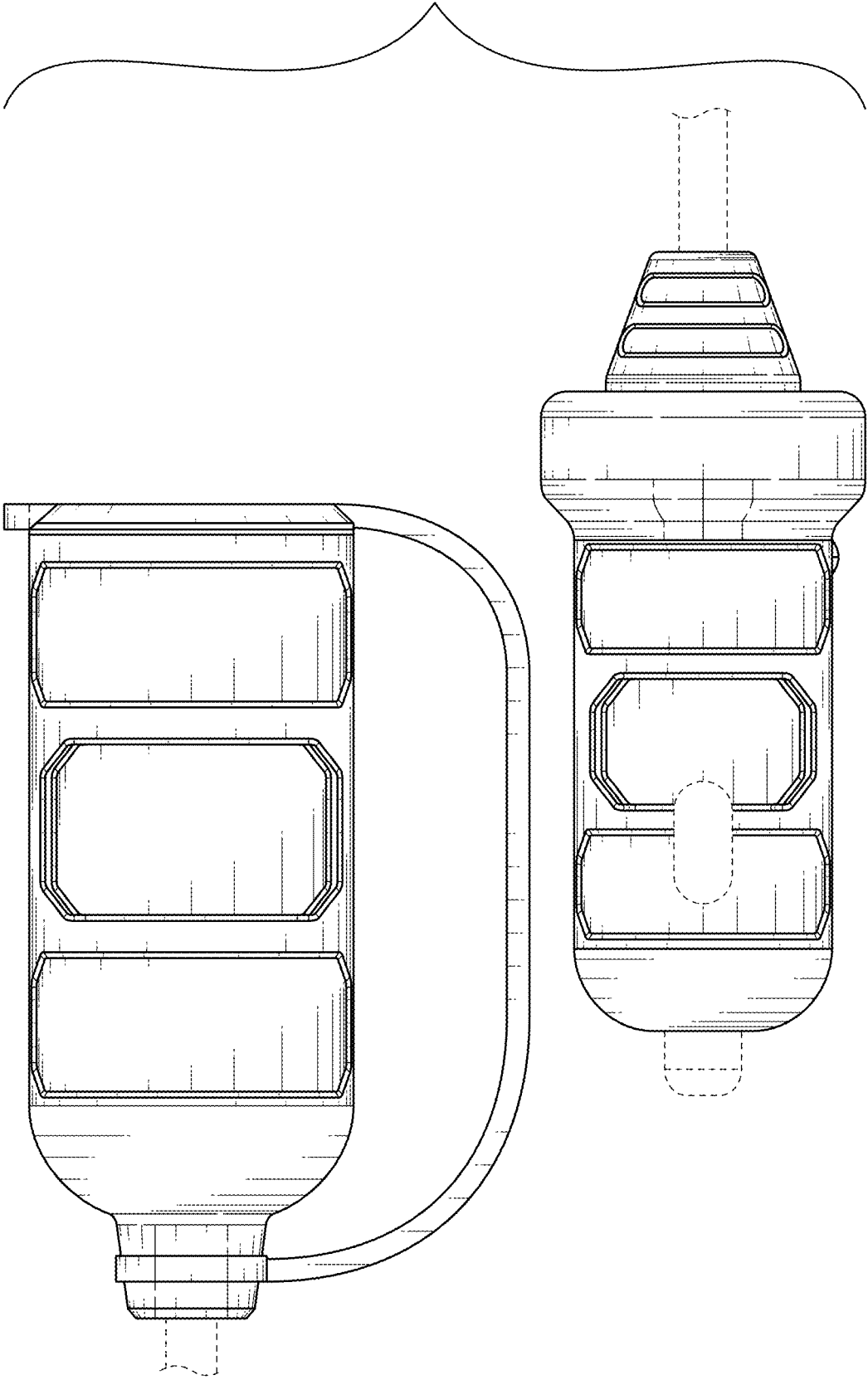


FIG. 6

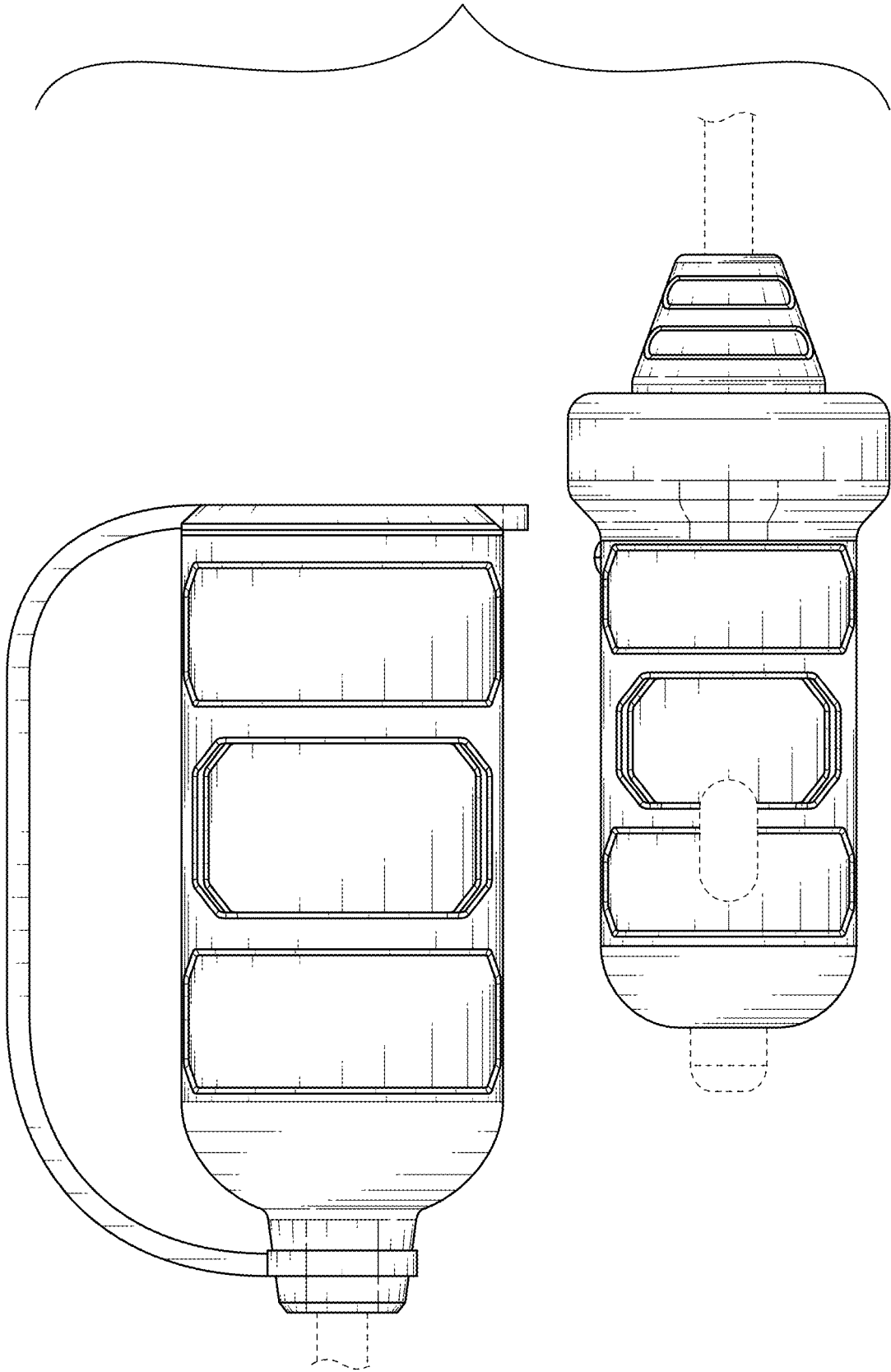


FIG. 7

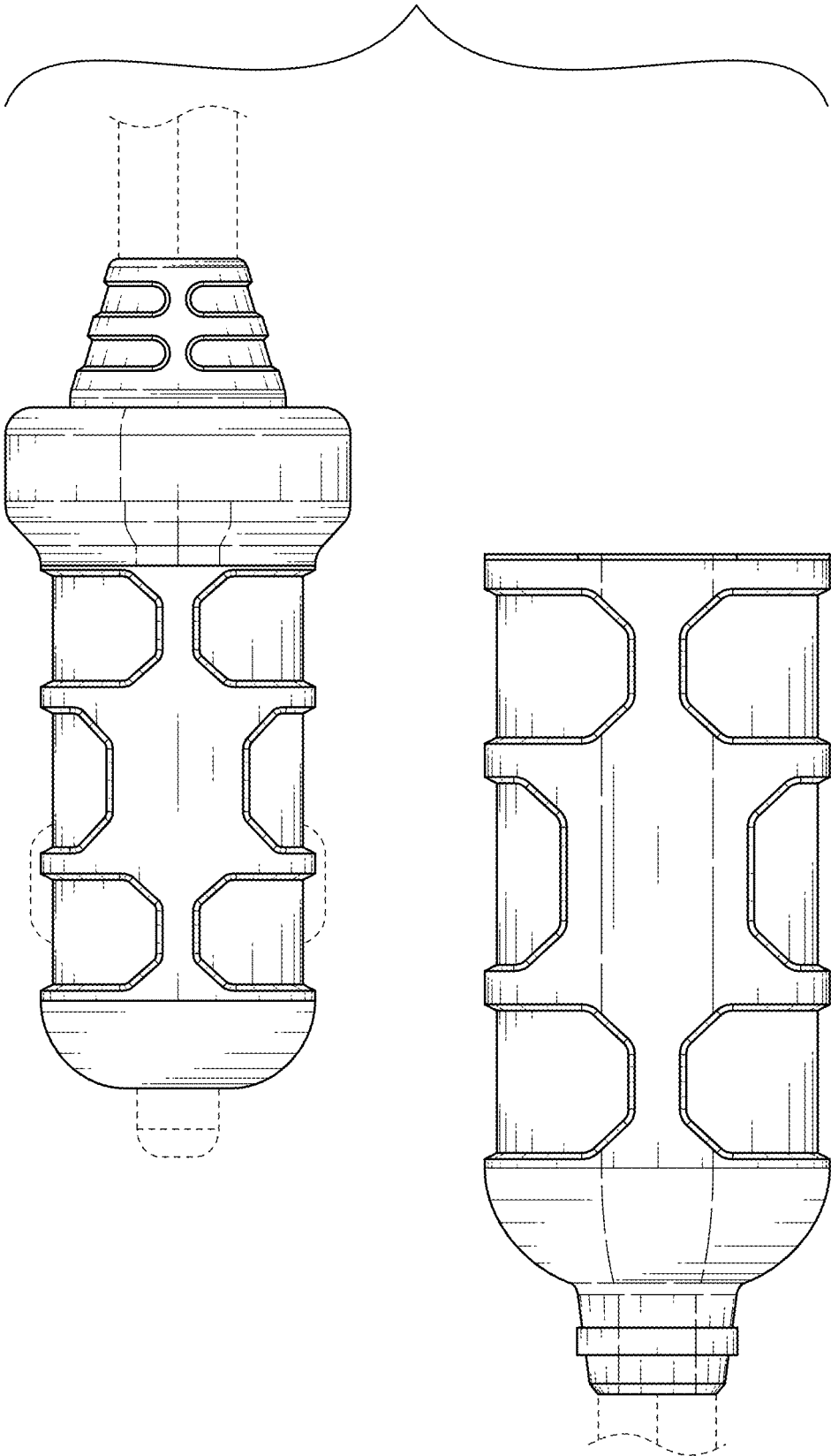


FIG. 8

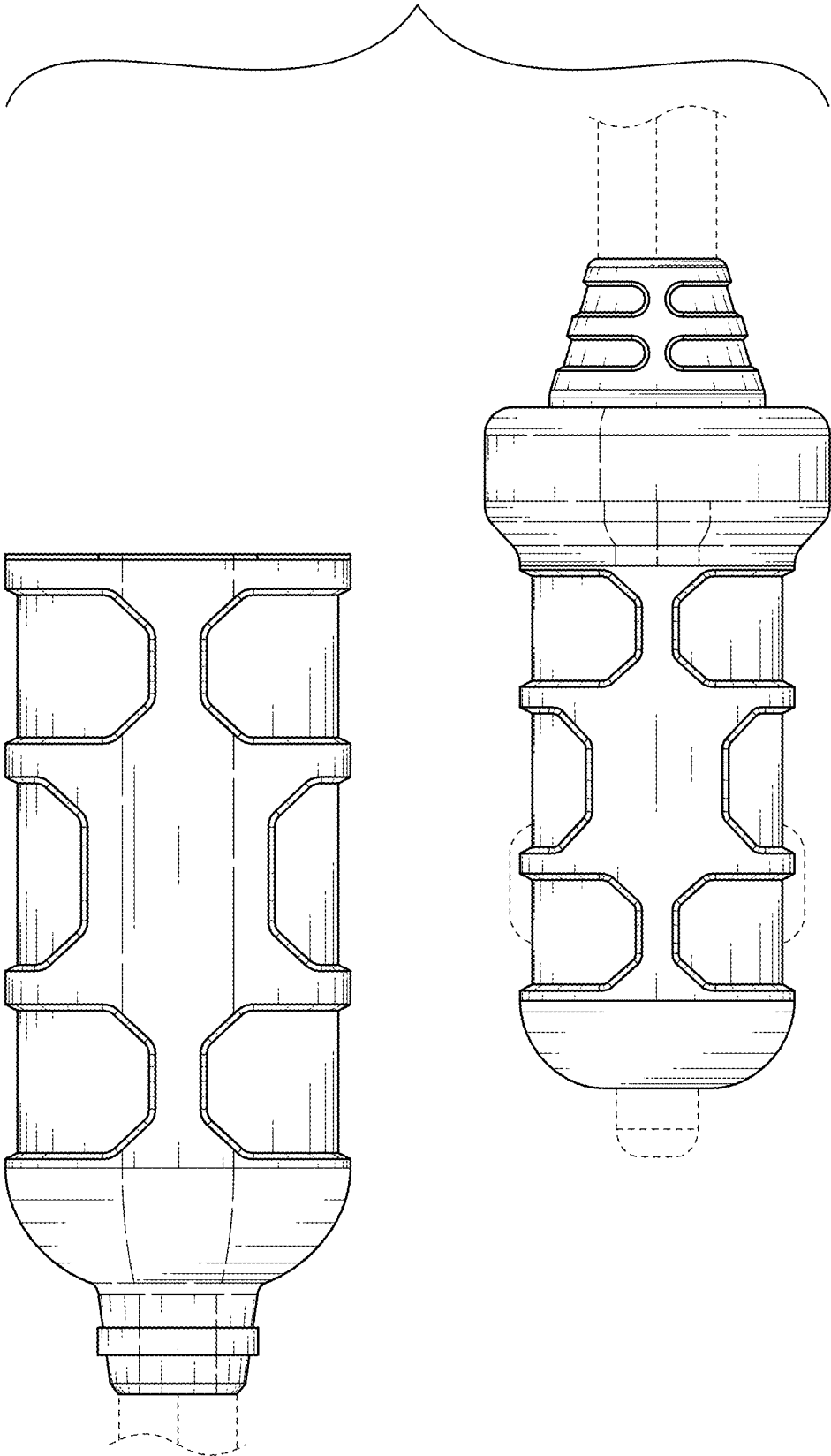


FIG. 9

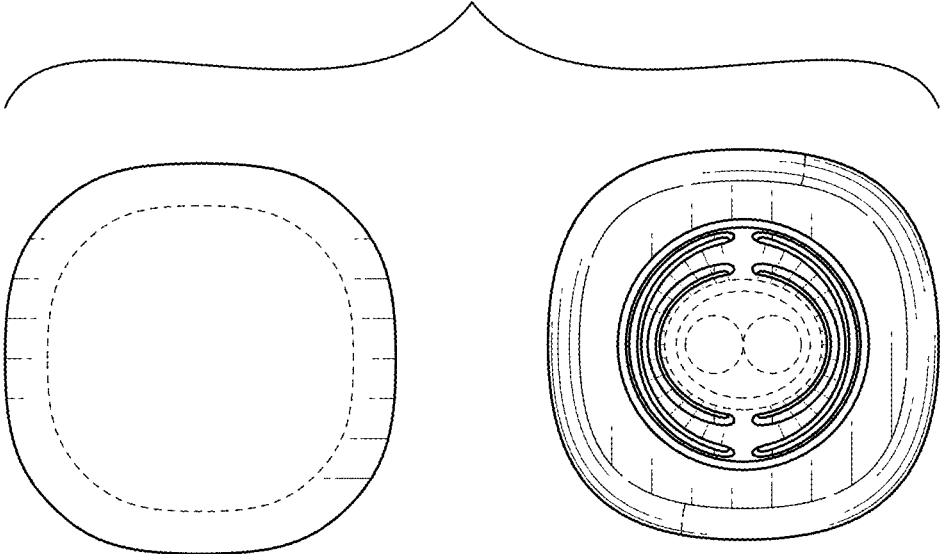


FIG. 10

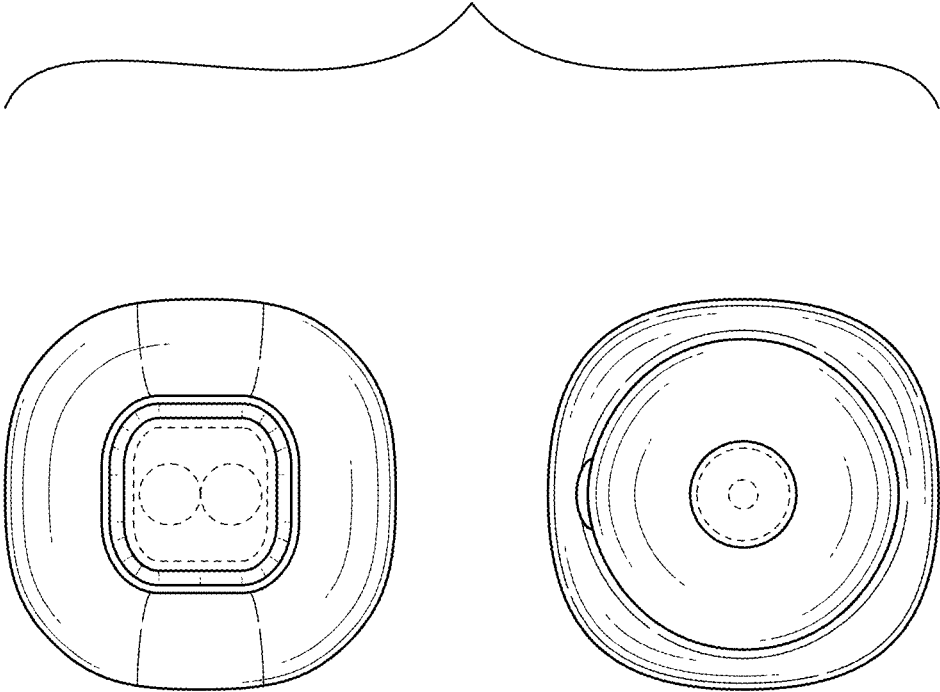


FIG. 11

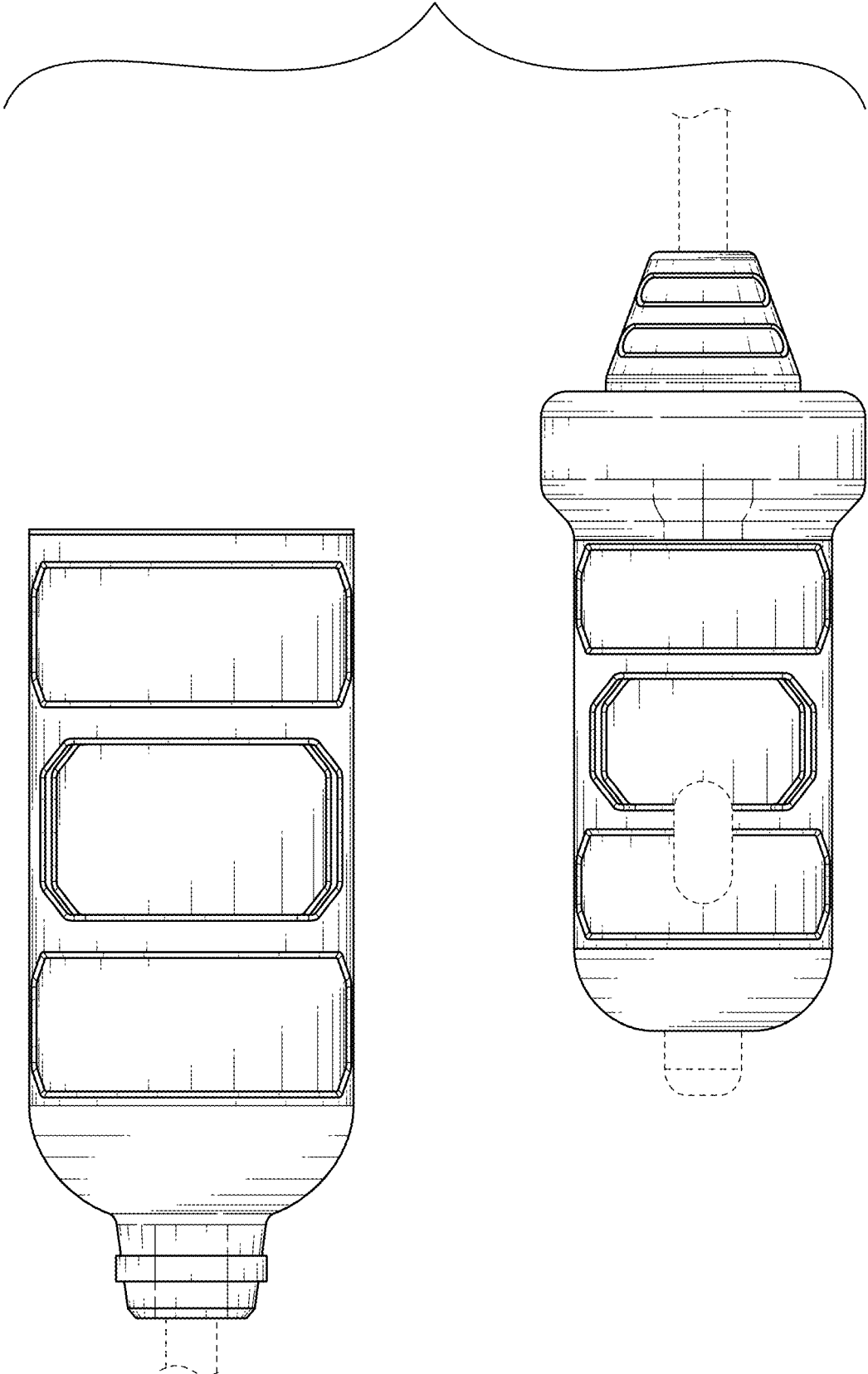


FIG. 12

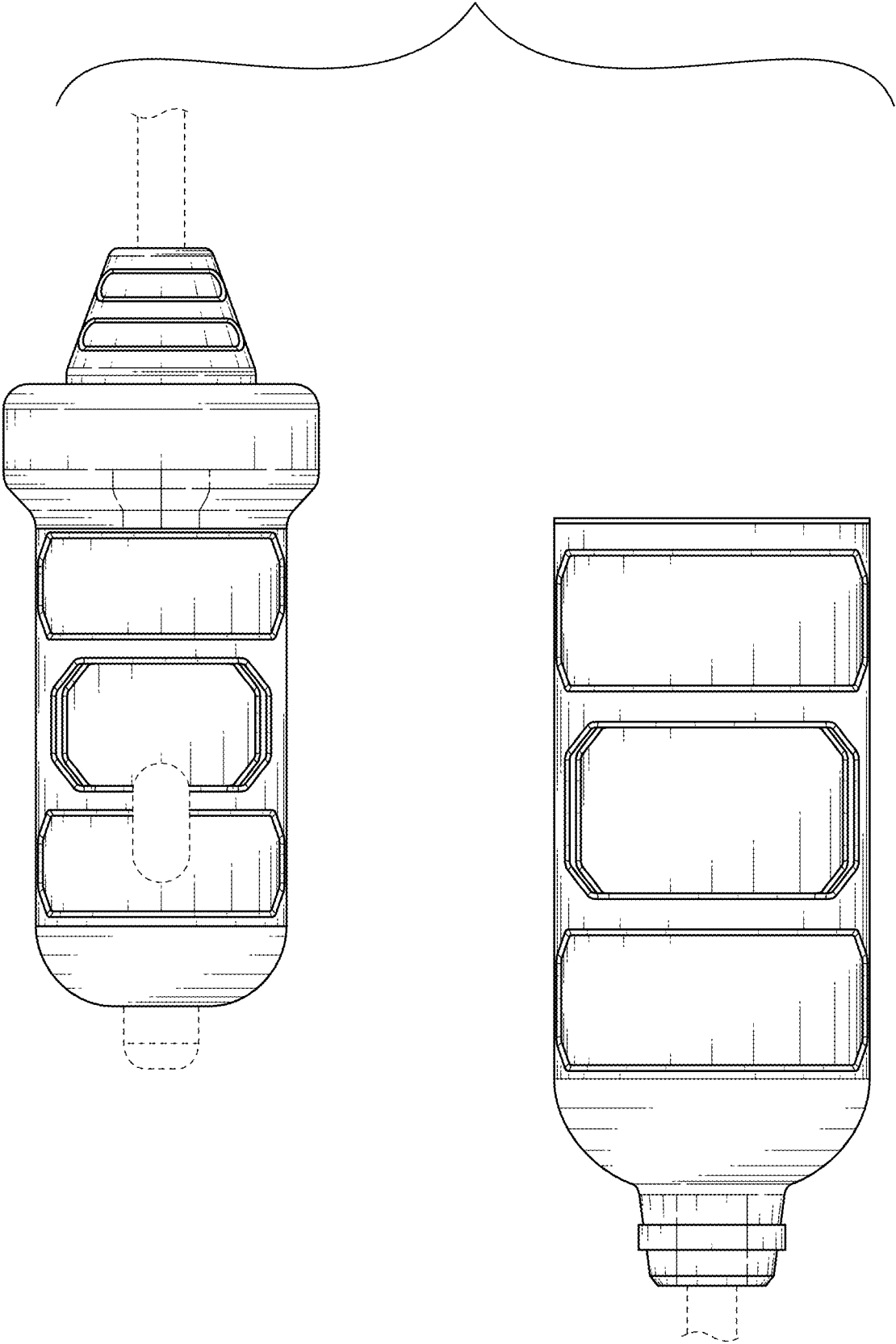


FIG. 13