



US00D989175S

(12) **United States Design Patent**
Han

(10) **Patent No.:** **US D989,175 S**

(45) **Date of Patent:** **** Jun. 13, 2023**

(54) **PAINT BOX**

5,516,202 A * 5/1996 Markezin B44D 3/02
220/23.6

(71) Applicant: **JianYue Han**, Ningbo (CN)

D896,309 S * 9/2020 Han D19/106
2022/0266623 A1* 8/2022 Lee B42F 13/16

(72) Inventor: **JianYue Han**, Ningbo (CN)

(**) Term: **15 Years**

(21) Appl. No.: **29/735,403**

(22) Filed: **May 20, 2020**

(51) **LOC (14) Cl.** **19-06**

(52) **U.S. Cl.** **D19/103**
USPC

(58) **Field of Classification Search**
USPC D19/101, 102, 103, 104, 106, 107;
D7/553.2, 553.3, 553.4; D28/76, 77, 78,
D28/79, 80, 81, 82, 83, 84
CPC B44D 2/002; B44D 3/02; B44D 3/04
See application file for complete search history.

(56) **References Cited**

U.S. PATENT DOCUMENTS

2,473,532 A * 6/1949 Lazare B44D 3/04
206/1.9
D205,535 S * 8/1966 Kochmann D7/553.3
3,342,397 A * 9/1967 Duitsman B65D 1/36
D7/553.4
4,765,457 A * 8/1988 Rayhle B44D 3/04
206/372

OTHER PUBLICATIONS

Fan Pan Watercolor Set posted by The Fan Pan posted date Sep. 4, 2018, © Amazon, [online], [site visited Oct. 26, 2022]. Available from Internet, <https://www.amazon.com/Fan-PAN-Watercolor-Paint-Set-Professional/dp/B07H3GH7M3> (Year: 2018).*

Watercolor Paint Set posted by Dyvici posted date Jul. 3, 2018, © Amazon, [online], [site visited Oct. 26, 2022]. Available from Internet, <https://www.amazon.com/dp/B07F79T1Q3/> (Year: 2018).*

* cited by examiner

Primary Examiner — Garth Rademaker
Assistant Examiner — Laura H Yu

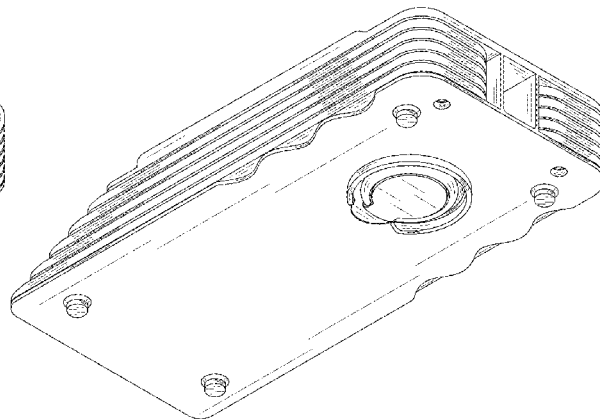
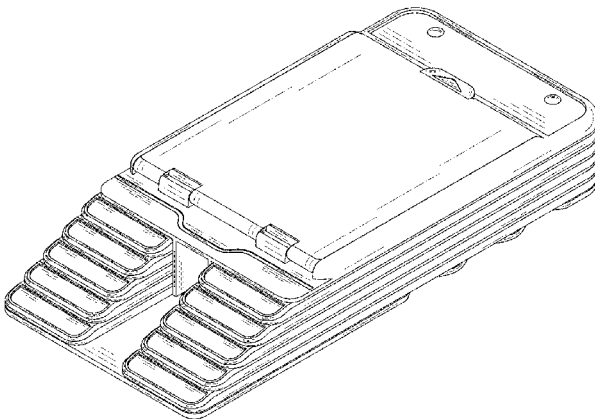
(57) **CLAIM**

The ornamental design for a paint box, as shown and described.

DESCRIPTION

FIG. 1 is a front view of the paint box showing my new design;
FIG. 2 is a back view thereof;
FIG. 3 is a left side view thereof;
FIG. 4 is a right side view thereof;
FIG. 5 is a top view thereof;
FIG. 6 is a bottom view thereof;
FIG. 7 is a perspective view thereof; and,
FIG. 8 is another perspective view thereof.

1 Claim, 8 Drawing Sheets



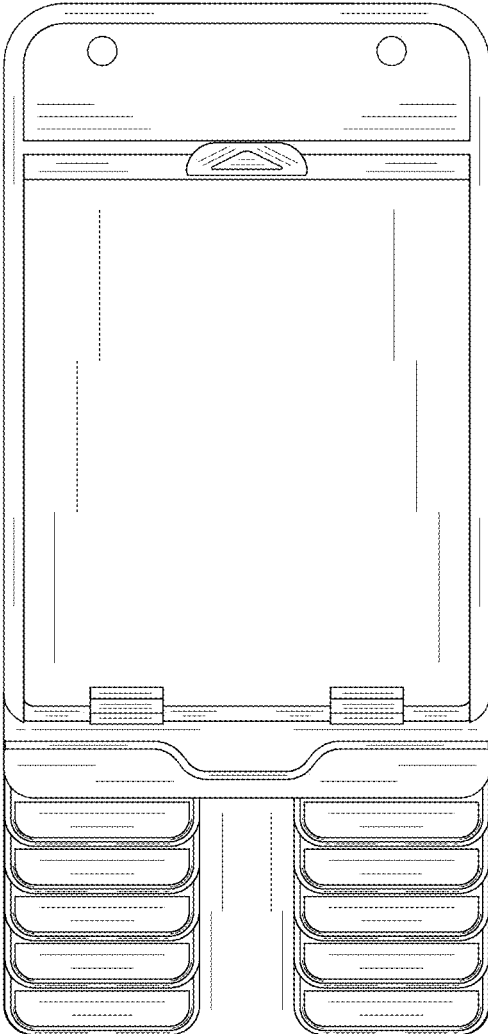


FIG. 1

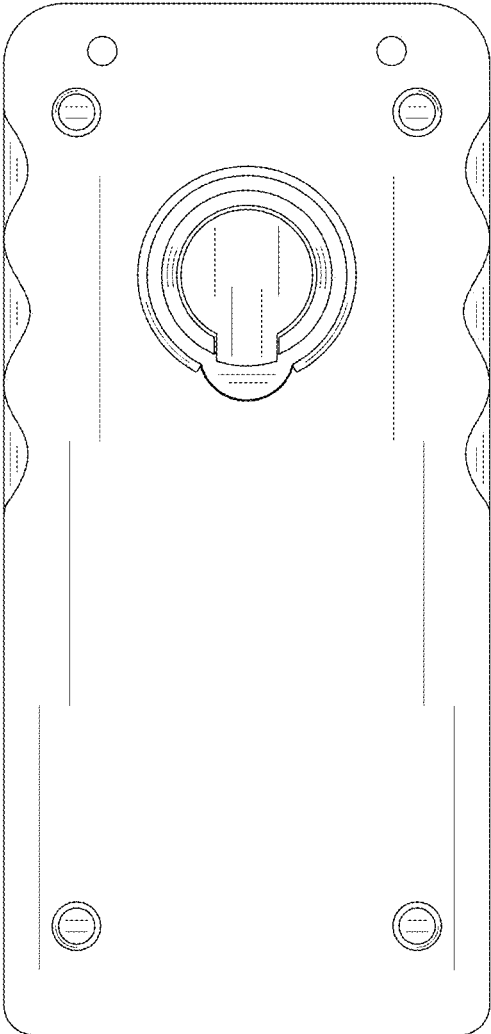


FIG. 2

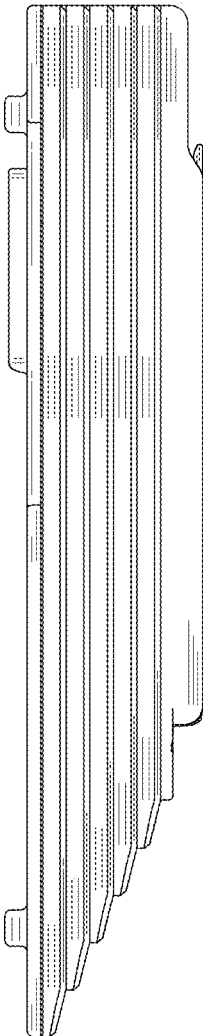


FIG. 3

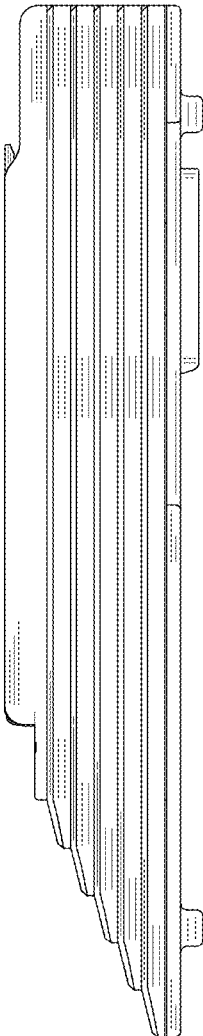


FIG. 4

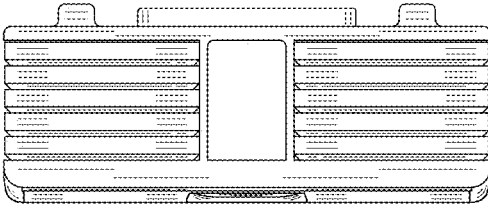


FIG. 5

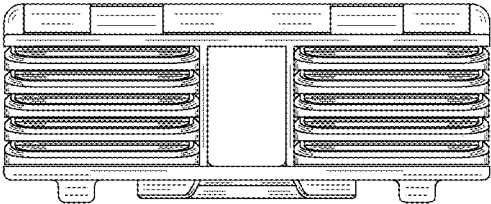


FIG. 6

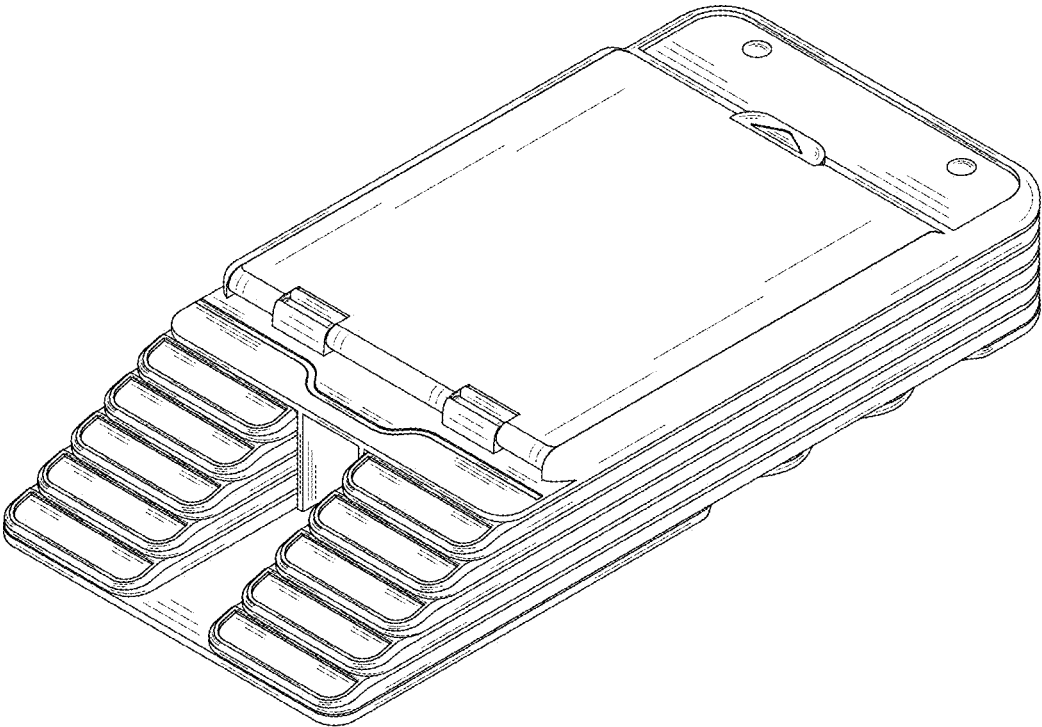


FIG. 7

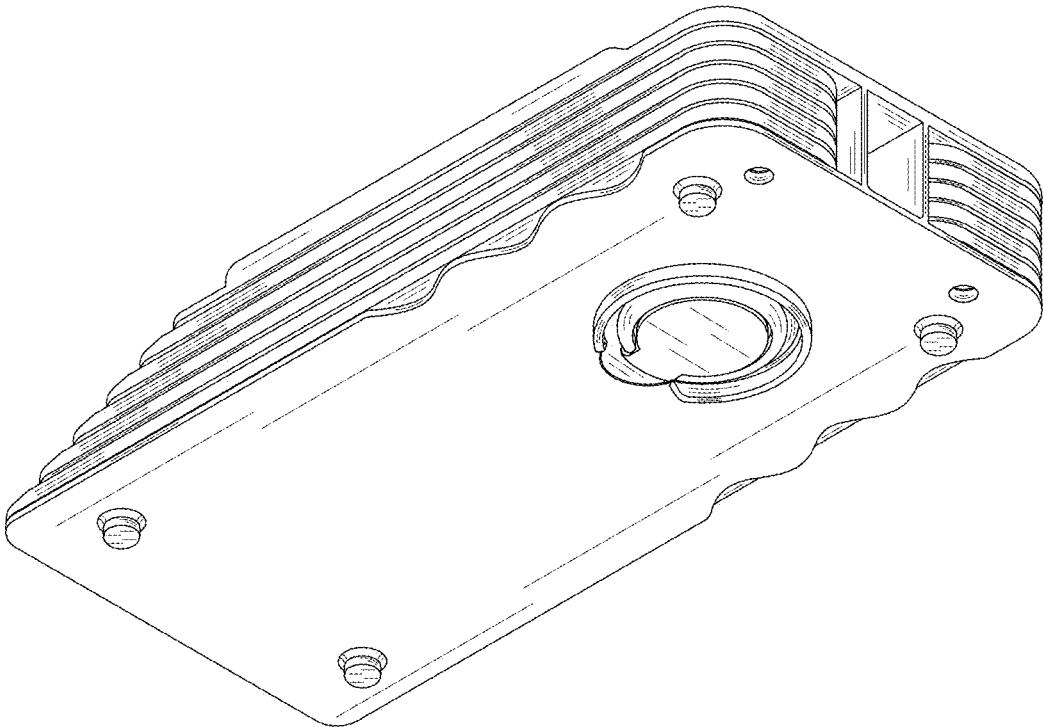


FIG. 8