



US00D942599S

(12) **United States Design Patent**
Cocks et al.

(10) **Patent No.:** **US D942,599 S**

(45) **Date of Patent:** **** Feb. 1, 2022**

- (54) **HAND SHOWER BRACKET**
- (71) Applicant: **Phoenix Industries Pty Ltd**, Bayswater (AU)
- (72) Inventors: **Andrew John Cocks**, Bayswater (AU); **Ban Hsi Liu**, Bayswater (AU)
- (73) Assignee: **Phoenix Industries Pty Ltd**, Bayswater (AU)

5,481,765 A * 1/1996 Wang A47K 3/28
4/567

5,632,049 A 5/1997 Chen
D391,629 S 3/1998 Gottwald
(Continued)

FOREIGN PATENT DOCUMENTS

AU 308198 7/2006
AU 308199 7/2006
(Continued)

- (**) Term: **15 Years**
- (21) Appl. No.: **29/702,691**
- (22) Filed: **Aug. 21, 2019**

OTHER PUBLICATIONS

“Jaclo 6458-MBK”, Sep. 16, 2015, Amazon, site visited Apr. 19, 2021: <https://www.amazon.com/dp/B015GG6K4M>(Year: 2015).*
(Continued)

- (30) **Foreign Application Priority Data**
Feb. 22, 2019 (AU) 201910960
- (51) **LOC (13) CL.** **23-02**
- (52) **U.S. CL.**
USPC **D23/304**
- (58) **Field of Classification Search**
USPC D23/213, 223, 226, 228, 229, 230, 238,
D23/239, 240, 241, 249, 263, 304;
D8/363, 396
CPC B05B 1/16; B05B 1/1618; B05B 1/18; B05B
1/185; E03C 1/0405; E03C 1/0408; E03C
1/06; E03C 1/063; E03C 1/066; E03C
1/084; E03C 2001/0415
See application file for complete search history.

Primary Examiner — Jack Reickel
Assistant Examiner — Bobby W Jones II
(74) *Attorney, Agent, or Firm* — Womble Bond Dickinson (US) LLP

(57) **CLAIM**

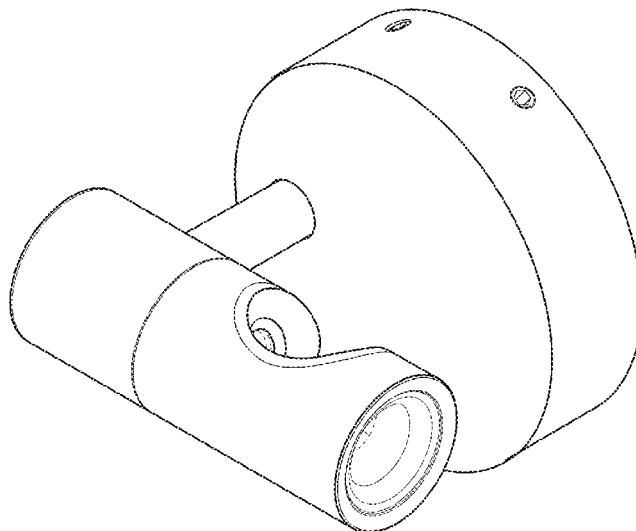
The ornamental design for a hand shower bracket, as shown and described.

DESCRIPTION

FIG. 1 is an isometric right side view of a hand shower bracket according to our new design;
FIG. 2 is an isometric left side view thereof;
FIG. 3 is a right side view thereof;
FIG. 4 is a left side view thereof;
FIG. 5 is a top view thereof;
FIG. 6 is a bottom view thereof;
FIG. 7 is a front view thereof; and,
FIG. 8 is a rear view thereof.
The evenly-spaced broken lines in the figures represent portions of the hand shower bracket that form no part of the claimed design.

- (56) **References Cited**
U.S. PATENT DOCUMENTS
D266,212 S 9/1982 Haug
D267,582 S * 1/1983 Mackay D23/223
4,964,573 A * 10/1990 Lipski E03C 1/06
239/283
D330,408 S 10/1992 Thacker
D340,376 S * 10/1993 Klose D23/223
D341,191 S * 11/1993 Klose D23/223

1 Claim, 8 Drawing Sheets



US D942,599 S

(56)

References Cited

U.S. PATENT DOCUMENTS

D412,563 S	8/1999	Milrud		D680,619 S	4/2013	Zhadanov	
D416,992 S	11/1999	Neufeld		8,429,769 B2	4/2013	Gross	
D443,685 S	6/2001	Gottwald		D681,776 S	5/2013	Cutler	
D457,598 S	5/2002	Storti		D681,781 S	5/2013	Cutler	
6,453,486 B1 *	9/2002	Chen	E03C 1/06 239/283	D687,924 S	8/2013	Newson	
D477,863 S	7/2003	Singtoroj		D694,357 S	11/2013	Brodey	
D484,226 S	12/2003	Cropelli		D694,358 S	11/2013	Schoenherr	
D487,498 S	3/2004	Blomstrom		D694,359 S	11/2013	Schoenherr	
D496,447 S	9/2004	Lobermeier		D694,361 S	11/2013	Schoenherr	
D496,448 S	9/2004	Haug		D694,856 S	12/2013	Madsen	
D496,987 S	10/2004	Glunk		D695,880 S	* 12/2013	Schoenherr	D23/239
D497,974 S	11/2004	Haug		D697,177 S	1/2014	Schoenherr	
D498,514 S	11/2004	Haug		D705,900 S	5/2014	Bailey	
D508,730 S	8/2005	Blomstrom		D707,328 S	6/2014	Schoenherr	
D512,120 S	11/2005	Haug		D707,330 S	6/2014	Schoenherr	
D513,525 S	1/2006	Haug		D710,973 S	8/2014	Madsen	
D519,187 S	4/2006	Tse		D713,003 S	9/2014	Sandee	
7,043,776 B1	5/2006	Wu		D713,004 S	9/2014	Schoenherr	
D522,612 S	6/2006	Eilmus		D713,496 S	9/2014	Schoenherr	
D524,406 S	7/2006	Hoernig		D713,498 S	9/2014	Schoenherr	
D524,412 S	7/2006	Tiom		D714,421 S	9/2014	Flowers	
D527,072 S	8/2006	Wu		8,851,398 B2	10/2014	Li	
7,093,309 B2	8/2006	Kollmann		D718,418 S	11/2014	Georgeson	
D531,259 S *	10/2006	Hsieh	D23/213	D719,640 S	12/2014	Yu	
D540,427 S	4/2007	Bouroullec		8,919,709 B2	12/2014	Zhou	
D540,925 S	4/2007	Garner		D723,137 S	2/2015	Nikles	
D541,394 S	4/2007	Toyohara		8,991,432 B2	3/2015	Zhou	
D542,394 S	5/2007	Cropelli		D730,493 S	5/2015	Sehl	
D543,093 S *	5/2007	Chan	D8/363	9,027,857 B2	5/2015	Kull	
D545,419 S	6/2007	Nikles		D733,258 S	6/2015	Sandee	
D550,337 S	9/2007	Stein		9,046,261 B2	6/2015	Zhang	
D556,855 S	12/2007	Mullenmeister		D735,841 S	8/2015	Obara	
D562,937 S	2/2008	Schoenherr		D736,347 S	8/2015	Tan	
D562,950 S	2/2008	Nikles		D736,348 S	8/2015	Tan	
D564,066 S	3/2008	Lammel		D737,929 S	9/2015	Rexach	
D565,703 S	4/2008	Lammel		D737,931 S	9/2015	Schoenherr	
D565,711 S *	4/2008	Giggs	D23/304	D737,932 S	9/2015	Nikles	
D566,228 S	4/2008	Neagoe		D738,991 S	9/2015	Brodey	
D566,231 S	4/2008	Lammel		D743,507 S	11/2015	Georgeson	
D567,637 S *	4/2008	Moore	D8/363	9,175,460 B2	11/2015	Ukigai	
D578,622 S *	10/2008	Kollmann	D23/304	D746,422 S *	12/2015	Schoenherr	D23/304
D580,025 S	11/2008	Kollmann		D746,423 S *	12/2015	Schoenherr	D23/304
D581,485 S	11/2008	Kollmann		D746,955 S	1/2016	Corder	
D584,803 S *	1/2009	Lammel	D23/304	D746,963 S *	1/2016	Barber	D23/304
D589,117 S	3/2009	Bardsley		D746,964 S *	1/2016	Schoenherr	D23/304
D590,916 S	4/2009	Schoenherr		D749,694 S	2/2016	Madsen	
D590,917 S	4/2009	Schoenherr		D751,174 S	3/2016	Schoenherr	
D592,276 S	5/2009	Schoenherr		D751,175 S	3/2016	Schoenherr	
D593,640 S	6/2009	Schoenherr		D751,176 S	3/2016	Schoenherr	
D604,802 S	11/2009	Schoenherr		D752,711 S	3/2016	Georgeson	
D613,370 S	4/2010	Allard		9,273,452 B2	3/2016	Wilson	
7,721,363 B2	5/2010	Huang		9,297,151 B2	3/2016	Blessing	
D620,077 S	7/2010	Lee		D757,894 S	5/2016	Schoenherr	
D622,809 S	8/2010	Montgomery		D757,895 S	5/2016	Schoenherr	
7,766,291 B2	8/2010	Eilmus		D758,532 S	6/2016	Schoenherr	
D624,155 S	9/2010	Yokoyama		9,382,699 B2	7/2016	Andersen	
D626,194 S	10/2010	Kakahana		9,387,495 B2	7/2016	Schumacher	
D634,401 S	3/2011	Flowers		9,410,309 B2	8/2016	Sharratt	
D637,026 S	5/2011	Lin		D778,402 S	2/2017	Schoenherr	
D637,266 S	5/2011	Flowers		D778,404 S	2/2017	Schoenherr	
D639,382 S	6/2011	Flowers		D779,038 S	2/2017	Hanna	
D649,623 S	11/2011	Flowers		D779,039 S	2/2017	Hanna	
D654,983 S	2/2012	Schoenherr		D785,131 S	4/2017	Cimino	
D655,386 S	3/2012	Schoenherr		D787,458 S	5/2017	Kim	
D655,783 S	3/2012	Schoenherr		D790,665 S	6/2017	Spangler	
D656,582 S	3/2012	Flowers		D791,277 S	7/2017	Eads	
D659,167 S	5/2012	Cocks		D793,527 S	8/2017	Zanger	
D659,794 S	5/2012	Flowers		D801,475 S	10/2017	Naslund	
D659,797 S	5/2012	Farley		D803,350 S	11/2017	Tian	
D665,479 S	8/2012	Cocks		9,822,924 B2	11/2017	Wu	
D669,156 S	10/2012	Schoenherr		D808,499 S	1/2018	Naslund	
D669,962 S	10/2012	Schoenherr		D809,094 S	1/2018	Naslund	
D672,010 S	12/2012	Verdeflor		D810,233 S	2/2018	Winter	
D674,038 S	1/2013	Mendoza		D810,234 S	2/2018	Winter	
				D810,861 S	2/2018	Weaver	
				D811,524 S	2/2018	Bossini	
				D813,348 S	3/2018	Bossini	
				D820,388 S	6/2018	Seum	
				D820,949 S	6/2018	Reinnecker	

(56)

References Cited

U.S. PATENT DOCUMENTS

D821,542	S	6/2018	Reinnecker	
D822,157	S	7/2018	L'Henaff	
D824,485	S	7/2018	Montoya	
D828,491	S	9/2018	Schoenherr	
D828,511	S	9/2018	Liu et al.	
D828,512	S	9/2018	Liu et al.	
D828,516	S	9/2018	Liu et al.	
D828,909	S	9/2018	Liu et al.	
D832,398	S	10/2018	Lin	
D833,575	S	11/2018	Soulier	
D839,384	S	1/2019	Svendson	
D840,503	S	2/2019	Stein	
D841,121	S	2/2019	Kiefer	
D841,125	S	2/2019	Lai	
D841,126	S	2/2019	Lai	
D841,128	S	2/2019	Zhou	
D841,786	S *	2/2019	Hsieh	D23/304
10,195,654	B2	2/2019	Honda	
D842,429	S	3/2019	Huang	
D842,430	S	3/2019	Huang	
D842,431	S	3/2019	Cacka	
D842,967	S	3/2019	Farley	
D844,749	S	4/2019	Cocks	
D846,077	S	4/2019	Liu	
D846,696	S	4/2019	Cocks	
D846,701	S	4/2019	Liu	
D846,702	S	4/2019	Liu	
D847,302	S	4/2019	Cocks	
D849,696	S	4/2019	Cocks et al.	
D849,191	S	5/2019	Cocks et al.	
D851,207	S	6/2019	Cocks et al.	
D855,759	S	8/2019	Winter	
D855,760	S	8/2019	Lee	
D856,475	S	8/2019	Gessi	
D858,700	S	9/2019	Stoler	
D861,830	S	10/2019	Quinn	
D865,132	S	10/2019	Hoogendoorn et al.	
D865,133	S	10/2019	Hoogendoorn et al.	
D866,715	S	11/2019	Liu et al.	
D868,213	S	11/2019	Hoogendoorn et al.	
D869,608	S	12/2019	Seum	
D879,245	S	3/2020	Eads	
D879,247	S	3/2020	Stoler	
D888,195	S	6/2020	Cocks et al.	
D890,884	S	7/2020	Downey	
D902,346	S *	11/2020	Cocks	D23/213
D904,276	S	12/2020	Hostetter	
10,851,528	B2	12/2020	Wang	
2008/0223957	A1	9/2008	Schorn	
2009/0222983	A1	9/2009	Bosio	
2010/0037389	A1	2/2010	Gross	
2010/0320295	A1	12/2010	Mang	
2011/0108640	A1	5/2011	Grahe	
2013/0248017	A1 *	9/2013	Neagoe	E03C 1/0408 137/359
2013/0283520	A1 *	10/2013	Schulte	E03C 1/0408 4/601
2014/0251454	A1	9/2014	Blessing	
2016/0265201	A1	9/2016	Hoogendoorn et al.	
2018/0298596	A1 *	10/2018	Tsai	E03C 1/0408
2019/0211537	A1	7/2019	Lee	
2019/0249402	A1	8/2019	Whitfield	
2020/0263399	A1	8/2020	Sierks	
2021/0079632	A1	3/2021	Beattie	

FOREIGN PATENT DOCUMENTS

AU	308201	7/2006
AU	308202	7/2006
AU	314560	6/2007

AU	314563	6/2007
AU	321286	10/2008
AU	328364	11/2009
AU	328365	11/2009
AU	334096	12/2010
AU	336356	5/2011
AU	336357	5/2011
AU	337781	7/2011
AU	337782	7/2011
AU	344493	9/2012
AU	344494	9/2012
AU	350490	8/2013
AU	355991	6/2014
AU	355992	6/2014
AU	355993	6/2014
AU	355994	6/2014
AU	357542	9/2014
AU	357840	9/2014
AU	357842	9/2014
AU	357843	9/2014

OTHER PUBLICATIONS

“KES Home Towel Hook 5846598”, Apr. 17, 2015, Amazon, site visited Apr. 19, 2021: <https://www.amazon.com/dp/B00W8V60NU/> (Year: 2015).*

Amazon; 8 Inch Rainfall Shower Head; WaterPoint; available at https://www.amazon.com/Inch-Rainfall-Shower-Head-WaterPoint/dp/B07R62JT94/ref=sr_1_1_75?keywords=showerhead&qid=1566490142&s=gateway&sr=8-75; available prior to Aug. 21, 2019.

TOI Basin Mixer, Phoenix Tapware, Showers & Accessories, <http://www.phoenixtapware.com.au/products/toi-basin-mixer>, known at least as early as Oct. 25, 2016, 3 pgs.

TOI Wall Basin/Bath Mixer Set, <http://www.phoenixtapware.com.au/toi-wall-basin-mixer-set180mm>, known at least as early as Oct. 25, 2016 3 pgs.

TOI Sink Mixer Squareline, Phoenix Tapware, Showers & Accessories, <http://www.phoenixtapware.com.au/toi-sink-mixer-180mm-squareline>, known at least as early as Oct. 25, 2016, 3 pgs.

“HammerHead Showers 1F-HHS-CH-2.5”, Nov. 14, 2017, Amazon, site visited Apr. 19, 2021: <https://www.amazon.com/dp/B077GHJFLP> (Year: 2017).

“ALFI brand AB7938”, Dec. 6, 2013, Amazon, site visited Apr. 19, 2021: <https://www.amazon.com/dp/BOOH50Z9ZV> (Year: 2013).

“Hansgrohe 4266000”, Feb. 18, 2010, Amazon, site visited Apr. 19, 2021: <https://www.amazon.com/dp/B002VKP5CU/> (Year:2010).

“Moen 3668EPBN”, Jun. 13, 2013, Amazon, site visited Apr. 19, 2021: <https://www.amazon.com/dp/BOODDVZCHO/> (Year: 2013).

“How to Install—Slide Rail Shower System SRXBH-643E” Aug. 29, 2019, YouTube, site visited Apr. 19, 2021: <https://www.youtube.com/watch?v=nThLskqGdOw> (Year: 2019).

“Delta Faucet Vero 57530” Sep. 29, 2012, Amazon, site visited Apr. 19, 2021: <https://www.amazon.ca/dp/B0040YM6L8/> (Year: 2012).

“Gowe GWE-1024863”, May 22, 2016, Amazon, site visited Apr. 19, 2021: <https://www.amazon.com/dp/B01G050BGW> (Year: 2016).

“Bright Showers Square Shower Wand”, Jul. 19, 2018, Amazon, site visited Apr. 19, 2021: <https://www.amazon.com/dp/B07FPKD3WC/> (Year: 2018).

“Oil Rubbed Bronze Rain Shower”, Mar. 8, 2018, Amazon, site visited Apr. 19, 2021: <https://www.amazon.com/dp/B07B9XR1PF/> (Year: 2018).

“Grohe 27867001”, Apr. 1, 2018, Amazon, site visited Apr. 19, 2021: <https://www.amazon.com/dp/B07BYHDQ8V/> (Year: 2018).

* cited by examiner

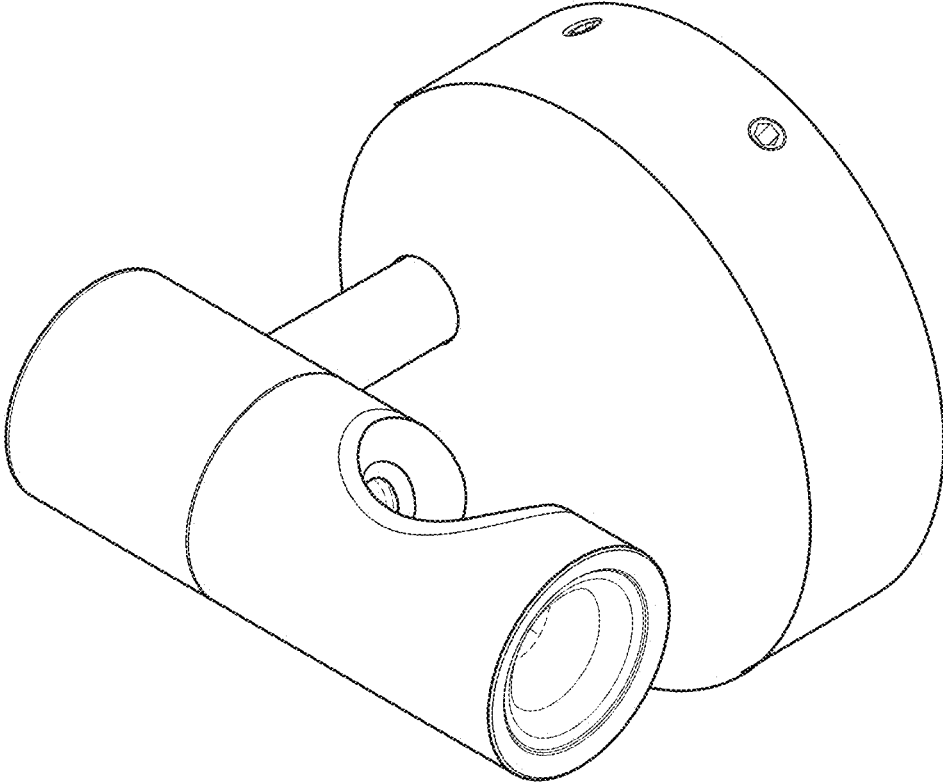


Fig. 1

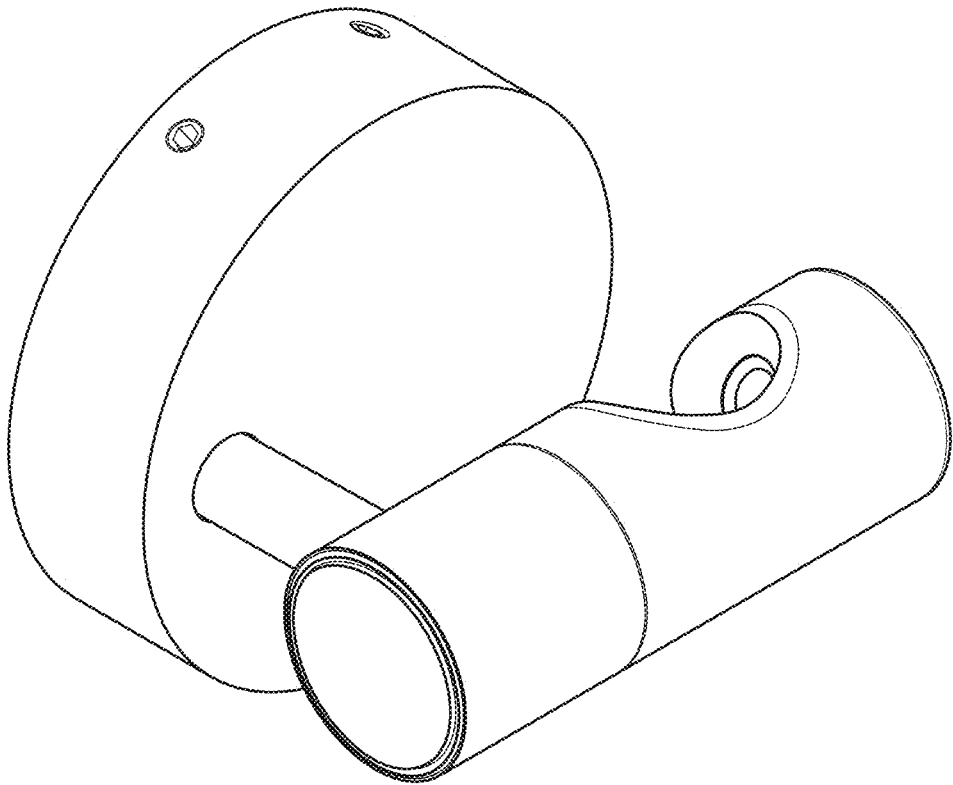


Fig. 2

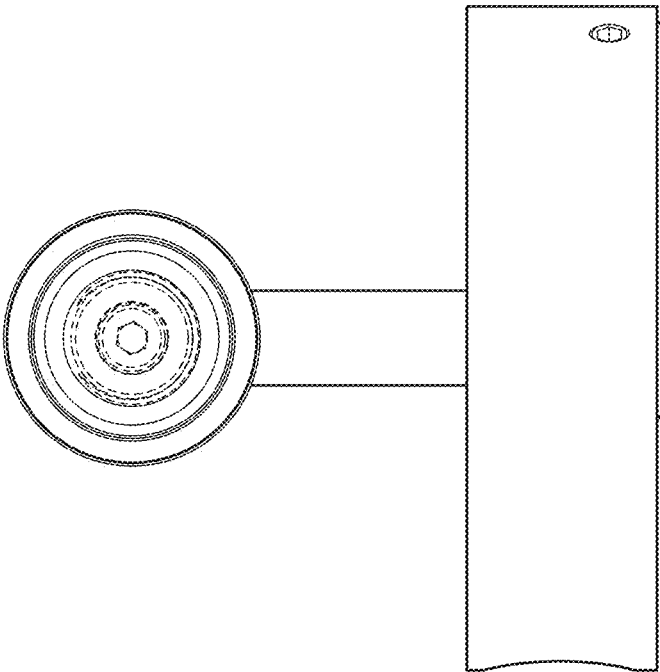


Fig. 3

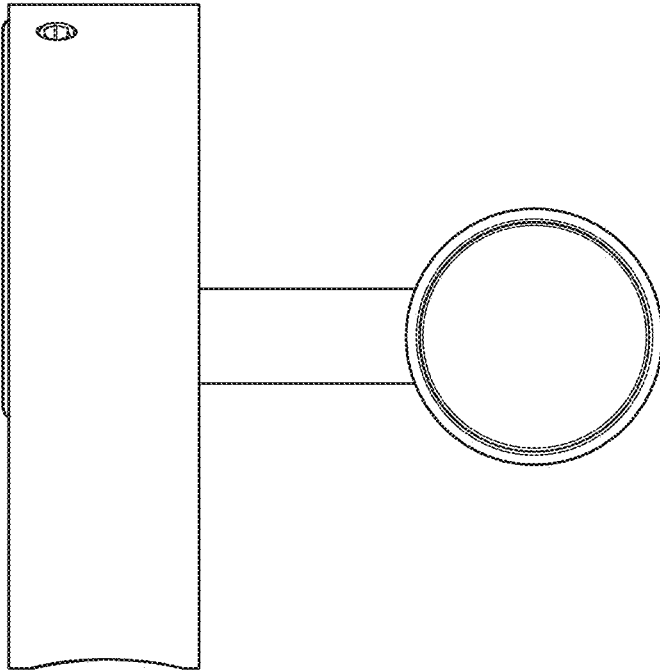


Fig. 4

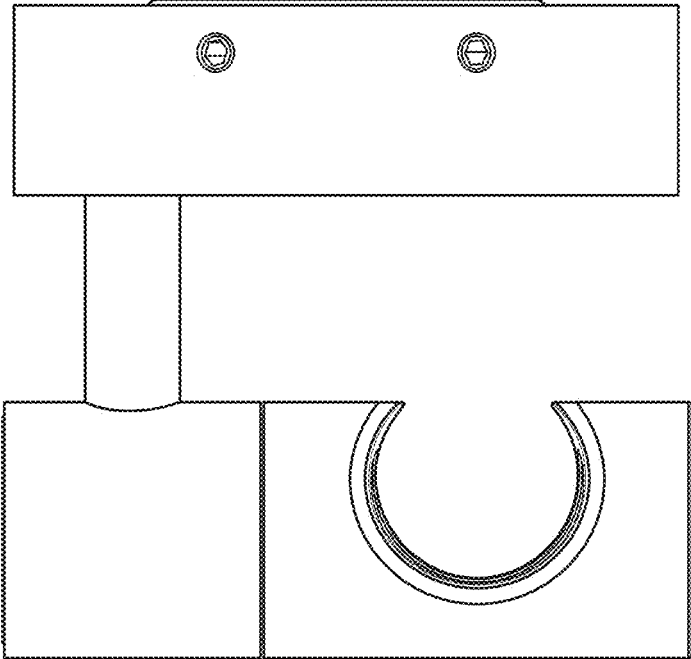


Fig. 5

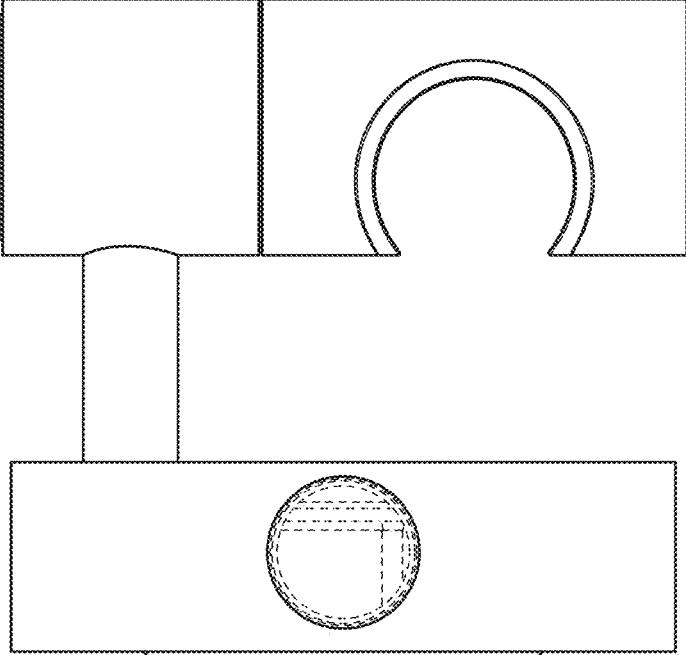


Fig. 6

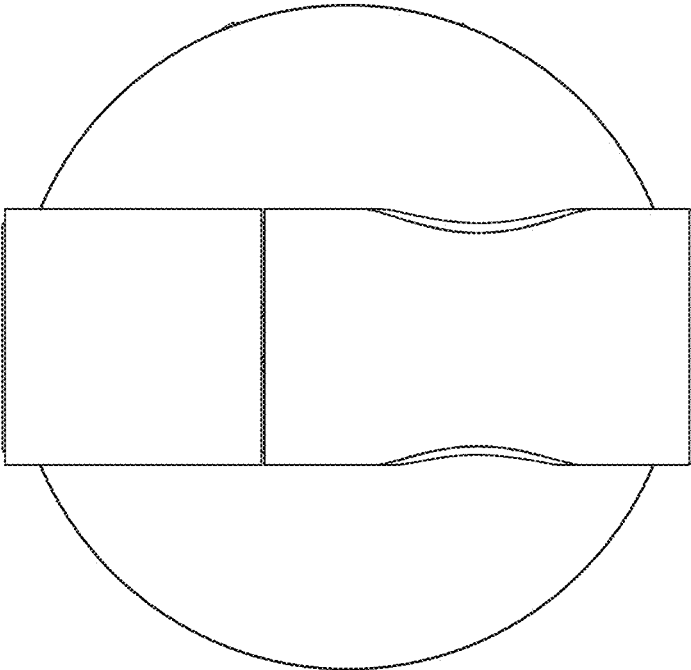


Fig. 7

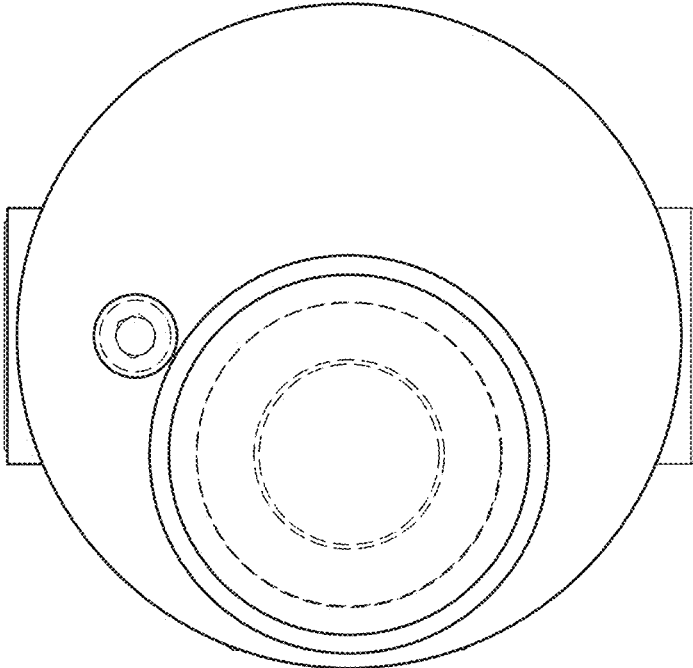


Fig. 8