



US00D829358S

(12) **United States Design Patent**
Zhuo

(10) **Patent No.:** **US D829,358 S**

(45) **Date of Patent:** **** Sep. 25, 2018**

- (54) **INDUCTION WALL LAMP**
- (71) Applicant: **ZHONGSHAN YINGHAO SOLAR TECHNOLOGY CO., LTD,**
Zhongshan (CN)
- (72) Inventor: **Qiang Zhuo,** Zhongshan (CN)
- (**) Term: **15 Years**
- (21) Appl. No.: **29/583,510**
- (22) Filed: **Nov. 7, 2016**

D642,724 S *	8/2011	Galipeau	D26/71
D672,078 S *	12/2012	Lui	D26/71
D704,373 S *	5/2014	Compton	D26/85
D709,236 S *	7/2014	Ku	D26/71
D742,771 S *	11/2015	Russo	D10/106.6
D765,298 S *	8/2016	Frisee	D26/71
D817,532 S *	5/2018	Iguchi	D26/71
D818,174 S *	5/2018	Wan	D26/71
2009/0103300 A1 *	4/2009	Chang	F21V 15/01 362/249.02

- (51) **LOC (11) Cl.** **26-05**
- (52) **U.S. Cl.**
USPC **D26/71**
- (58) **Field of Classification Search**
USPC D26/67, 72, 85; D10/106.6, 106.8
CPC F21S 8/03; F21S 8/033; F21S 8/036; F21S
8/037; F21S 9/022; F21S 9/024; F21S
9/03; F21S 9/035; F21S 9/037; F21W
2131/107; G08B 13/193
See application file for complete search history.

(56) **References Cited**

U.S. PATENT DOCUMENTS

D201,765 S *	7/1965	Mox	D26/71
D228,667 S *	10/1973	Anderson, Jr.	D26/71
D304,019 S *	10/1989	Carsello	D10/106.8
D465,050 S *	10/2002	Crelin	D26/85
D609,387 S *	2/2010	Compton	D26/71
D614,790 S *	4/2010	Nibaldi	D26/71
D622,888 S *	8/2010	Chakravarty	D26/65
D631,181 S *	1/2011	Laporte	D26/71
D636,920 S *	4/2011	Boissevain	D26/71
D637,336 S *	5/2011	Van Klinken	D26/71

OTHER PUBLICATIONS

Solar Wall Light. Brand Name: ODM/OEM Model No. GL-SSW01. Found at alibaba.com visited Jul. 18, 2018. (Year: 2018).*

Wall fancy light. Brand Name: ODM/OEM Model No. GL_SF01. Found at alibaba.com visited Jul. 18, 2018. (Year: 2018).*

* cited by examiner

Primary Examiner — Clare E Heflin
(74) *Attorney, Agent, or Firm* — Wayne & Ken, LLC;
Tony Hom

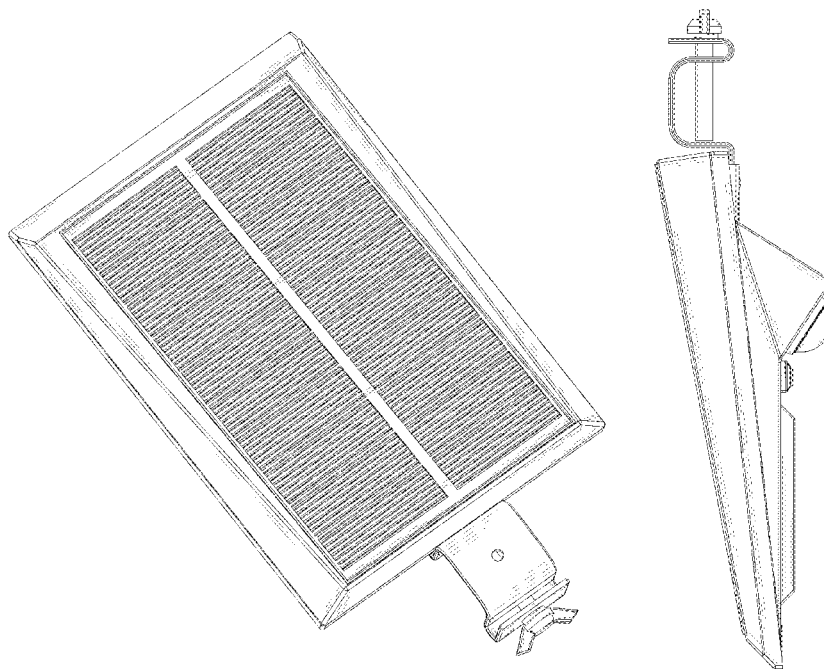
(57) **CLAIM**

The ornamental design for the induction wall lamp, as shown and described.

DESCRIPTION

FIG. 1 is perspective view showing our design;
FIG. 2 is front view showing our design;
FIG. 3 is a back view showing our design;
FIG. 4 is left a view showing our design;
FIG. 5 is a right view showing our design;
FIG. 6 is a top view showing our design; and,
FIG. 7 is a bottom view showing our design.

1 Claim, 7 Drawing Sheets



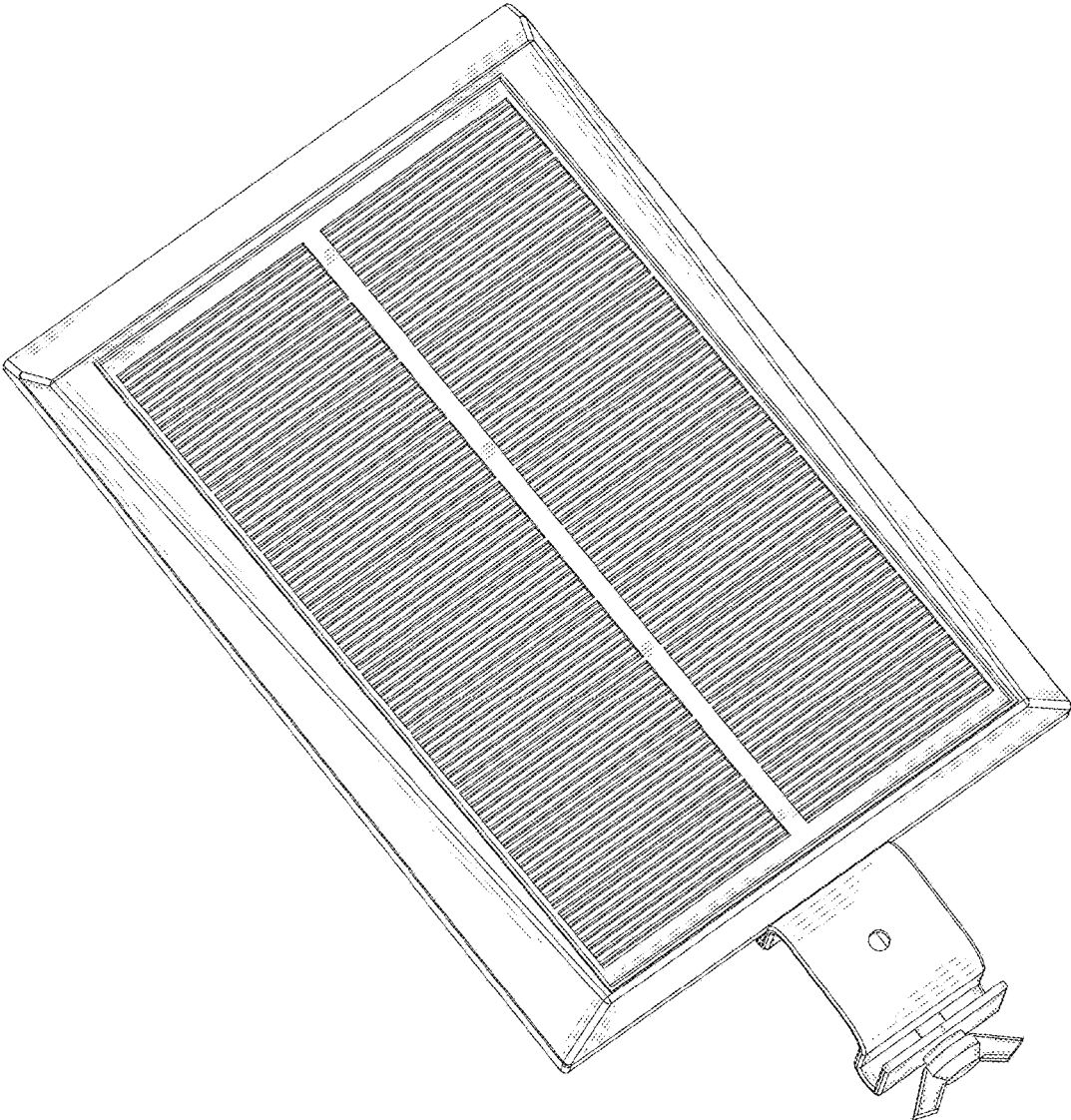


FIG. 1

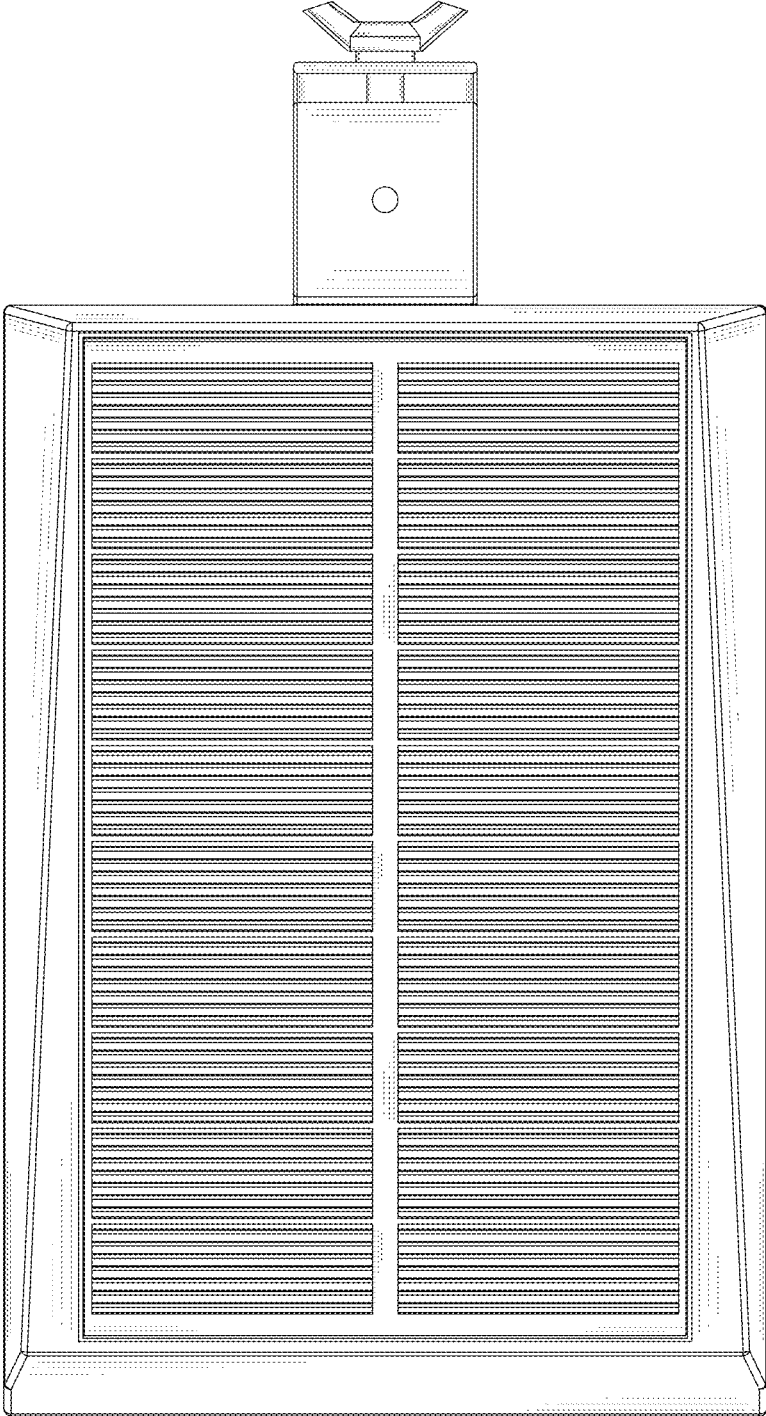


FIG. 2

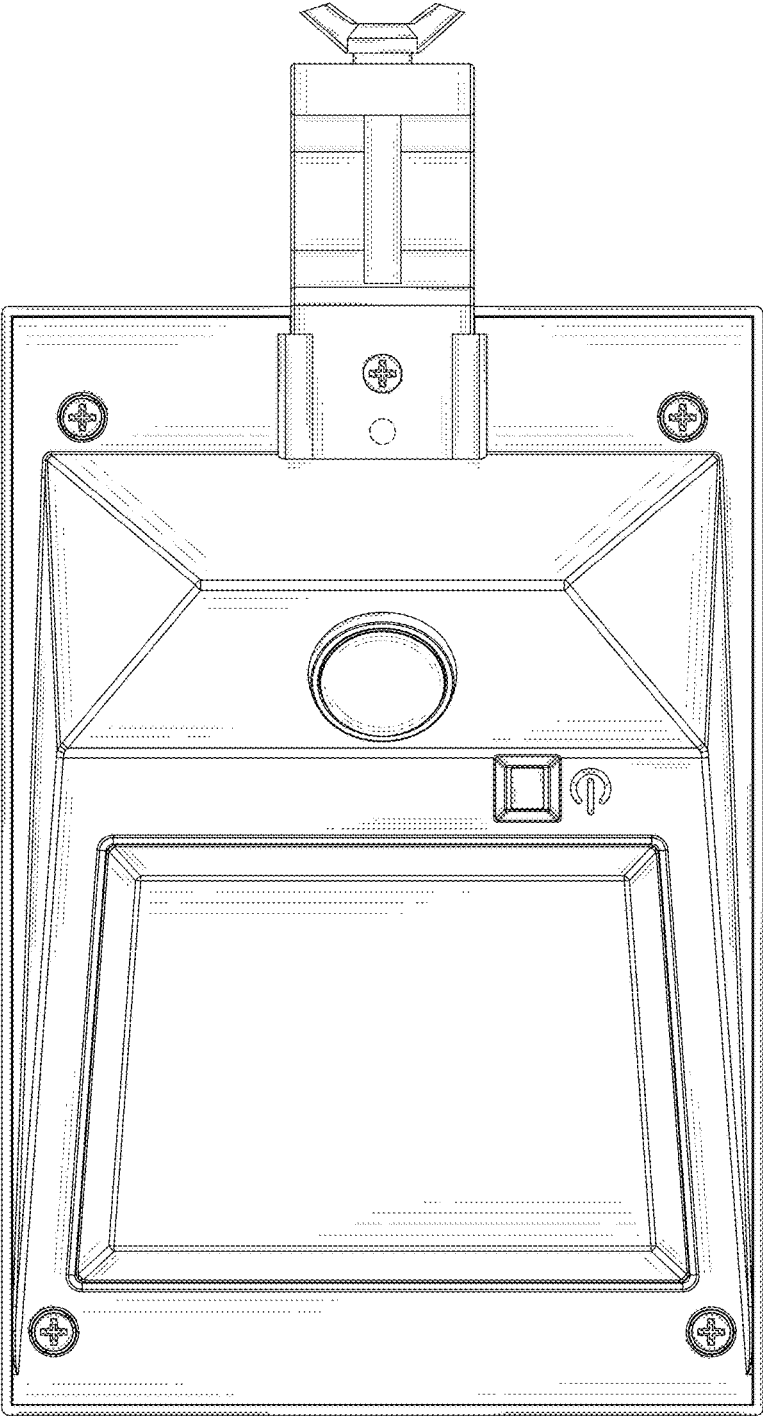


FIG. 3

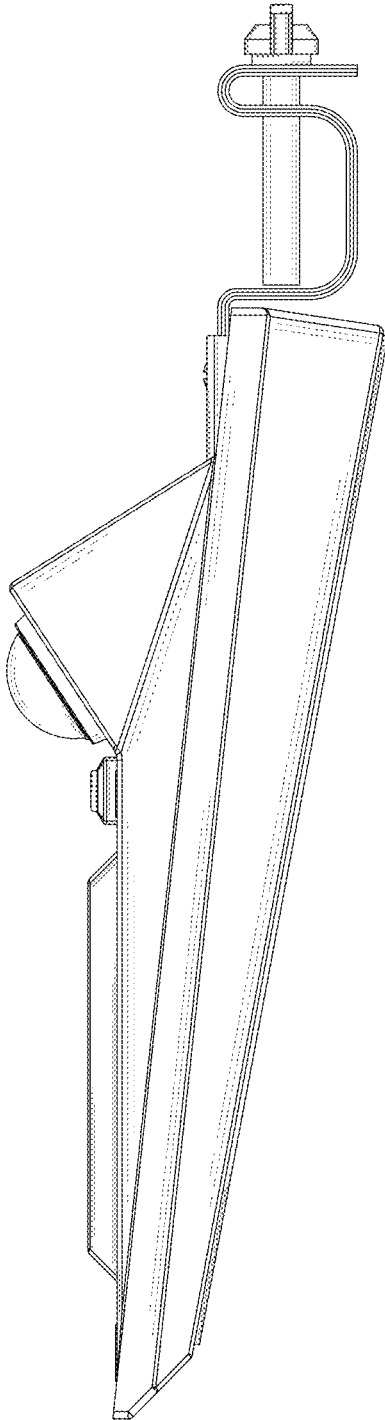


FIG. 4

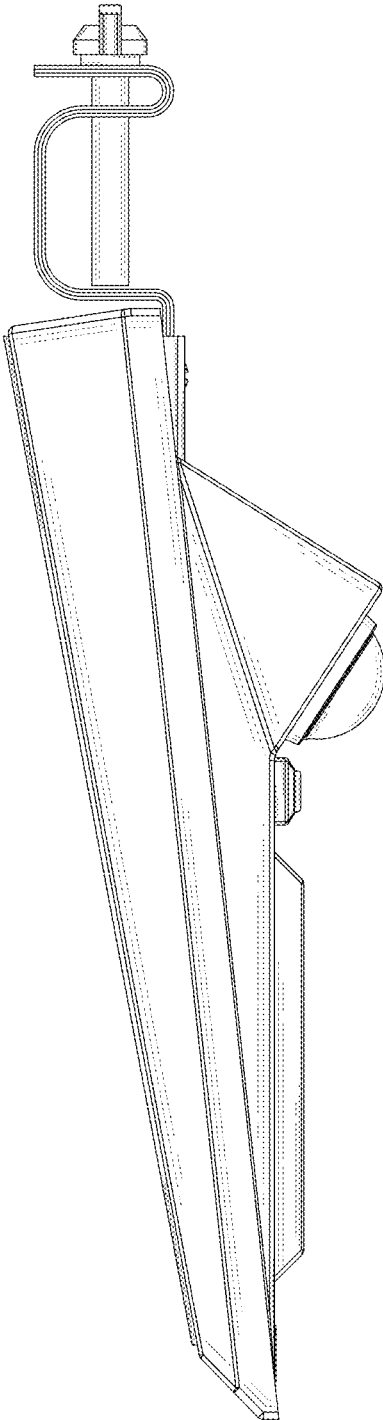


FIG. 5

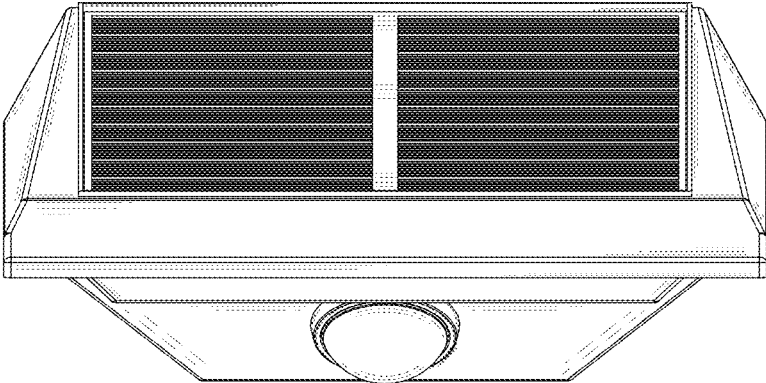


FIG. 6

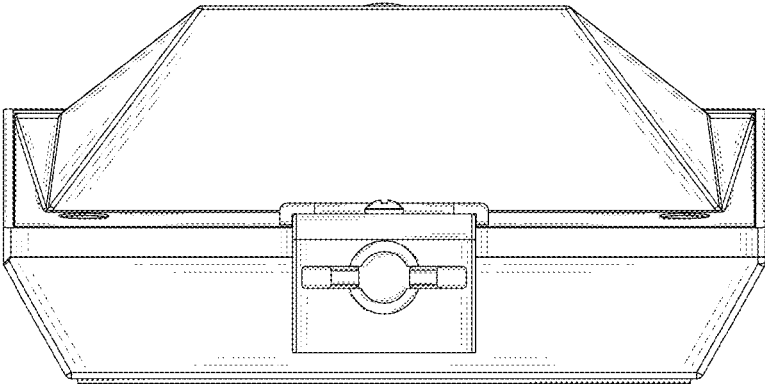


FIG. 7