



US0D1020009S

(12) **United States Design Patent**
Choi et al.

(10) **Patent No.:** **US D1,020,009 S**

(45) **Date of Patent:** **** Mar. 26, 2024**

(54) **VEHICLE TAILLAMP**
(71) Applicant: **GM GLOBAL TECHNOLOGY OPERATIONS LLC**, Detroit, MI (US)
(72) Inventors: **Gapdong Choi**, Seoul (KR); **Hyunmin Choi**, Bucheon-si (KR)
(73) Assignee: **GM Global Technology Operations LLC**, Detroit, MI (US)

D686,774 S 7/2013 McCabe et al.
D692,598 S 10/2013 Davis
D694,439 S * 11/2013 Davis D26/28
D694,443 S 11/2013 Mackay
D694,921 S 12/2013 Mackay
D703,847 S 4/2014 Mackay
D731,098 S 6/2015 Thole et al.
D731,099 S 6/2015 Thole et al.
D735,911 S 8/2015 O'Donnell et al.

(Continued)

(**) Term: **15 Years**

(21) Appl. No.: **29/827,103**

(22) Filed: **Feb. 17, 2022**

(51) **LOC (14) Cl.** **26-06**

(52) **U.S. Cl.**
USPC **D26/28**

(58) **Field of Classification Search**
USPC D26/24, 28–36, 138, 139
CPC F21S 841/141; F21S 41/18; F21S 41/20;
F21S 41/00; F21S 43/14; F21S 43/00;
F21S 43/10; F21W 2103/00; F21W
2103/30; F21W 2103/35; F21W 2103/45;
F21W 2107/00; F21W 2107/10

See application file for complete search history.

(56) **References Cited**

U.S. PATENT DOCUMENTS

D644,773 S 9/2011 Karras et al.
D655,837 S 3/2012 Karras et al.
D661,830 S 6/2012 de Queiroz
D670,840 S 11/2012 McCabe et al.
D670,841 S 11/2012 Duff et al.
D683,869 S 6/2013 Schmeckpeper
D683,870 S 6/2013 Schmeckpeper
D683,871 S 6/2013 Munson et al.
D683,872 S 6/2013 Munson et al.
D686,359 S 7/2013 McCabe et al.
D686,360 S * 7/2013 Davis D26/28
D686,767 S 7/2013 Davis

OTHER PUBLICATIONS

Replacement Tail Lamp, posted at Amazon, date first available Nov. 17, 2014. Site visited May 17, 2023. Available from internet, URL: https://www.amazon.ca/dp/B00NXVSVPO?ref=cm_sw_r_cp_ud_dp_WASD2X4QVPMB647DVSV8&th=1 (Year: 2014).*

(Continued)

Primary Examiner — Samantha Wood
Assistant Examiner — Vanessa Martinez

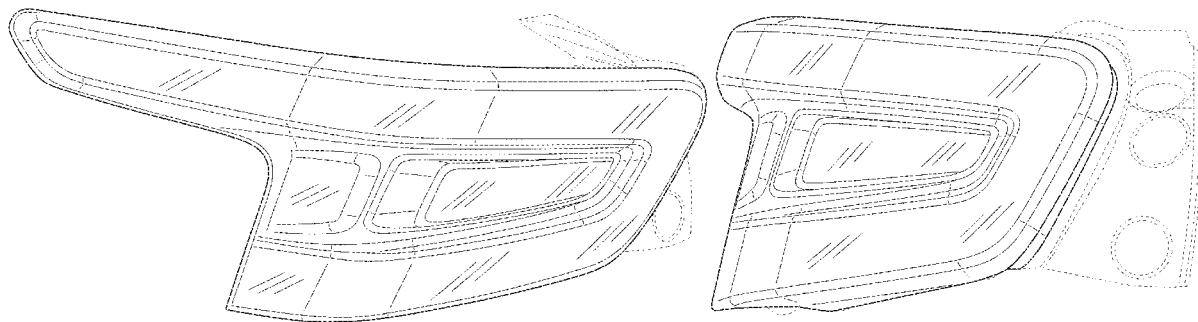
(57) **CLAIM**

The ornamental design for a vehicle taillamp, as shown and described.

DESCRIPTION

FIG. 1 is a front and left side perspective view of a vehicle taillamp showing our new design; the mirror image of a vehicle taillamp is claimed, but not shown; FIG. 2 is a front elevation view of the vehicle taillamp of FIG. 1; FIG. 3 is a left elevation view thereof; FIG. 4 is a right elevation view thereof; FIG. 5 is a back elevation view thereof; FIG. 6 is a top view thereof; and, FIG. 7 is a bottom view thereof. The broken lines in the drawings depict portions of the vehicle taillamp that form no part of the claimed design.

1 Claim, 7 Drawing Sheets



(56)

References Cited

U.S. PATENT DOCUMENTS

D735,919 S	8/2015	Duff et al.		D841,844 S	2/2019	Perkins
D736,451 S	8/2015	Smith et al.		D841,845 S	2/2019	Park
D736,971 S	8/2015	Duff et al.		D843,023 S	3/2019	Whitla et al.
D737,481 S	8/2015	Thole et al.		D843,024 S	3/2019	Hochmuth
D743,591 S *	11/2015	Hammoud	D26/28	D843,025 S	3/2019	Smith et al.
D744,158 S	11/2015	Willett et al.		D843,614 S	3/2019	Whitla et al.
D745,712 S	12/2015	O'Donnell et al.		D843,616 S	3/2019	Smith et al.
D745,719 S	12/2015	Boniface et al.		D843,617 S	3/2019	Smith et al.
D745,725 S	12/2015	McMahan et al.		D844,184 S	3/2019	Whitla et al.
D745,726 S	12/2015	McMahan et al.		D844,185 S	3/2019	Hochmuth
D746,496 S	12/2015	Loeb		D844,186 S	3/2019	Smith et al.
D747,514 S	1/2016	McMahan et al.		D845,518 S	4/2019	Kozub
D747,515 S	1/2016	McMahan et al.		D845,519 S	4/2019	Zipfel
D747,819 S	1/2016	Thole et al.		D846,769 S	4/2019	Koo et al.
D749,246 S	2/2016	Thole et al.		D846,770 S	4/2019	Kozub
D749,249 S	2/2016	Thole et al.		D846,771 S	4/2019	Zipfel
D749,250 S	2/2016	Thole et al.		D846,772 S	4/2019	Pinazzo et al.
D752,253 S	3/2016	Loeb		D847,390 S	4/2019	Koo et al.
D762,312 S *	7/2016	Wada	D26/28	D847,391 S	4/2019	Pinazzo et al.
D765,284 S	8/2016	Kim et al.		D847,392 S	4/2019	Zipfel
D765,893 S	9/2016	Kim et al.		D848,647 S	5/2019	Kozub
D770,068 S	10/2016	Kapitonov		D852,389 S	6/2019	Koo et al.
D773,084 S	11/2016	Kapitonov		D852,393 S	6/2019	Whitla et al.
D773,086 S *	11/2016	McCabe	D26/28	D857,260 S	8/2019	Kil et al.
D774,226 S	12/2016	McCabe et al.		D857,936 S	8/2019	Kil et al.
D776,310 S	1/2017	Mackay		D857,938 S	8/2019	Blanski et al.
D776,841 S	1/2017	Kozub et al.		D857,939 S	8/2019	Kozub
D776,843 S	1/2017	McCabe et al.		D857,940 S	8/2019	Park
D776,846 S	1/2017	Willett et al.		D857,941 S	8/2019	Whitla et al.
D777,359 S *	1/2017	Kozub	D26/28	D857,942 S	8/2019	Perkins
D777,360 S	1/2017	Kozub et al.		D857,943 S	8/2019	Hochmuth
D777,361 S	1/2017	Kozub et al.		D857,944 S	8/2019	Pinazzo et al.
D777,955 S	1/2017	Willett et al.		D857,945 S	8/2019	Smith et al.
D784,579 S	4/2017	Cheng et al.		D857,946 S	8/2019	Smith et al.
D789,575 S	6/2017	Willett		D857,947 S	8/2019	Koo et al.
D793,590 S	8/2017	Kozub et al.		D857,948 S	8/2019	Koo et al.
D793,591 S	8/2017	Kozub et al.		D857,949 S	8/2019	Smith et al.
D794,229 S	8/2017	Barry		D857,950 S	8/2019	Zipfel
D794,230 S	8/2017	Kozub		D857,951 S	8/2019	Whitla et al.
D796,088 S	8/2017	McCabe et al.		D857,952 S	8/2019	Smith et al.
D796,093 S	8/2017	Mainville		D858,813 S	9/2019	Datta
D797,967 S	9/2017	Barry		D858,814 S	9/2019	Burns
D797,970 S	9/2017	Mainville		D858,817 S	9/2019	Henriques
D797,971 S	9/2017	Mainville		D858,818 S	9/2019	McMahan et al.
D797,972 S	9/2017	Whitla et al.		D858,819 S	9/2019	McMahan et al.
D799,728 S	10/2017	Whitla et al.		D858,820 S	9/2019	McMahan et al.
D801,577 S	10/2017	Ruiz		D858,821 S	9/2019	Park
D810,976 S *	2/2018	Piscitelli	D26/28	D858,822 S	9/2019	Whitla et al.
D818,156 S	5/2018	Kim et al.		D858,823 S	9/2019	Zipfel
D818,157 S	5/2018	Zipfel et al.		D858,824 S	9/2019	Pinazzo et al.
D818,158 S	5/2018	Zipfel et al.		D859,707 S	9/2019	McMahan et al.
D818,159 S	5/2018	Zipfel et al.		D859,708 S	9/2019	Kozub
D818,160 S	5/2018	Perkins		D859,709 S	9/2019	Zipfel
D821,617 S	6/2018	Perkins		D860,489 S	9/2019	Henriques
D825,083 S	8/2018	Perkins		D860,490 S	9/2019	Henriques
D826,435 S	8/2018	Kim		D863,625 S	10/2019	Kim
D828,935 S	9/2018	Hochmuth		D863,629 S	10/2019	Whitla et al.
D830,589 S	10/2018	Henriques		D863,630 S	10/2019	Whitla et al.
D833,040 S	11/2018	Henriques		D863,662 S	10/2019	Yong et al.
D836,222 S	12/2018	Henriques		D863,664 S	10/2019	Kozub
D836,223 S	12/2018	Kim		D864,441 S	10/2019	Perkins
D836,807 S	12/2018	Whitla et al.		D868,302 S	11/2019	Hochmuth
D837,424 S	1/2019	Whitla et al.		D868,357 S	11/2019	De Leon
D838,015 S	1/2019	McMahan et al.		D869,015 S	12/2019	Pinazzo et al.
D838,016 S *	1/2019	McMahan	D26/28	D869,026 S	12/2019	Zipfel
D838,390 S	1/2019	McMahan et al.		D869,027 S	12/2019	Zipfel
D838,391 S	1/2019	McMahan et al.		D869,028 S	12/2019	Zipfel
D839,460 S	1/2019	Zipfel et al.		D874,029 S	1/2020	Mack et al.
D840,068 S	2/2019	Zipfel et al.		D874,030 S	1/2020	Mack et al.
D840,069 S	2/2019	Perkins		D874,033 S	1/2020	Park Cheng et al.
D840,565 S	2/2019	Whitla et al.		D874,034 S	1/2020	Schmeckpeper
D840,570 S	2/2019	Kim et al.		D874,035 S	1/2020	Park Cheng et al.
D840,571 S	2/2019	Zipfel et al.		D874,053 S	1/2020	Zipfel
D840,572 S	2/2019	Perkins		D874,693 S	2/2020	Blanski et al.
D841,843 S	2/2019	Park		D874,697 S	2/2020	Schmeckpeper
				D875,281 S	2/2020	Schmeckpeper
				D876,690 S	2/2020	Schmeckpeper
				D877,369 S	3/2020	Thurber et al.
				D877,376 S	3/2020	Cheng et al.

(56)

References Cited

U.S. PATENT DOCUMENTS

D877,377 S 3/2020 Cheng et al.
 D877,941 S 3/2020 Thurber et al.
 D884,939 S 5/2020 Kozub
 D885,618 S 5/2020 Mack et al.
 D887,591 S 6/2020 Mack et al.
 D887,596 S 6/2020 Pinazzo et al.
 D894,438 S 8/2020 Park Cheng et al.
 D894,439 S 8/2020 Izard
 D894,440 S * 8/2020 Koo D26/28
 D894,441 S 8/2020 Koo et al.
 D895,859 S 9/2020 Izard
 D897,013 S 9/2020 Cheng et al.
 D903,159 S 11/2020 Zipfel
 D903,160 S 11/2020 Zipfel
 D903,161 S 11/2020 Zipfel
 D903,163 S 11/2020 Choi et al.
 D903,164 S 11/2020 Choi et al.
 D903,165 S 11/2020 Choi et al.
 D903,166 S 11/2020 Choi et al.
 D903,167 S 11/2020 Choi et al.
 D903,168 S 11/2020 Choi et al.
 D913,536 S 3/2021 Koo et al.
 D913,537 S 3/2021 Koo et al.
 D919,136 S 5/2021 Park et al.
 D919,857 S 5/2021 Park et al.
 D919,858 S 5/2021 Park et al.
 D919,859 S 5/2021 Park et al.
 D920,544 S 5/2021 Kim
 D920,545 S 5/2021 Mack et al.
 D920,548 S 5/2021 Park et al.
 D920,549 S 5/2021 Park et al.
 D930,859 S 9/2021 Park et al.
 D933,266 S 10/2021 Park et al.
 D933,861 S * 10/2021 Lai D26/28
 D939,115 S * 12/2021 Chen D26/28
 D939,741 S * 12/2021 Chen D26/28
 D950,799 S * 5/2022 Theis D26/28
 D950,808 S * 5/2022 Jevremovic D26/28
 D950,814 S * 5/2022 De Leon D26/28

D961,127 S * 8/2022 Schmeckpeper D26/28
 D961,128 S * 8/2022 Schmeckpeper D26/28
 D963,213 S * 9/2022 Langhals D26/28

OTHER PUBLICATIONS

Tail Light Assembly, posted at Amazon, date first available Nov. 4, 2019. Site visited May 17, 2023. Available from internet, <https://www.amazon.com/Multiple-Manufactures-GM2804122-Standard-variation/dp/B07ZYJKGS4> (Year: 2019).*

Tail Light Replacement, posted at Amazon, date first available Apr. 8, 2022. Site visited May 17, 2023. Available from internet, https://www.amazon.com/dp/B09XHPSMZJ?_encoding=UTF8&psc=1&ref_cm_sw_r_cp_ud_dp_WBXYDT27897RNXZF9RAC (Year: 2022).*

Headlightsdepot, posted at Amazon, date first available Aug. 24, 2021. Site visited Aug. 18, 2023. Available from internet, URL: <https://www.amazon.com/HEADLIGHTSDEPOT-Driver-Compatible-2016-2018-Nissan/dp/B09DGT49XD> (Year: 2021).*

Tail Light Rear Lamp, posted at Amazon, date first available Jul. 15, 2015. Site visited Aug. 18, 2023. Available from internet, URL: <https://www.amazon.com/AUDI-2007-2009-Tail-Light-Rear/dp/B011OOS3UE> (Year: 2015).*

Akkon, posted at Amazon, date first available Dec. 6, 2019. Site visited Dec. 15, 2023. Available from internet, URL: https://www.amazon.com/dp/B082DS5MC5?ref_cm_sw_r_cp_ud_dp_Q7WFK5NZSJ3RHVA558J6&peakEvent=4&dealEvent=1&th=1 (Year: 2019).*

Acanii, posted at Amazon, date first available Jul. 20, 2021. Site visited Dec. 15, 2023. Available from internet, URL: https://www.amazon.com/dp/B099XD61L4?ref_cm_sw_r_cp_ud_dp_N0CJA0PWDM1KCCXFNK2SD&peakEvent=4&dealEvent=1&th=1 (Year: 2021).*

Tail Light Lamp, posted at Amazon, date first available Dec. 6, 2018. Site visited Dec. 15, 2023. Available from internet, URL: https://www.amazon.com/dp/B07ZPB3RKC?_encoding=UTF8&ref_cm_sw_r_cp_ud_dp_T0AWVMP9C5QY6J62CW54&peakEvent=4&dealEvent=1&th=1 (Year: 2018).*

* cited by examiner

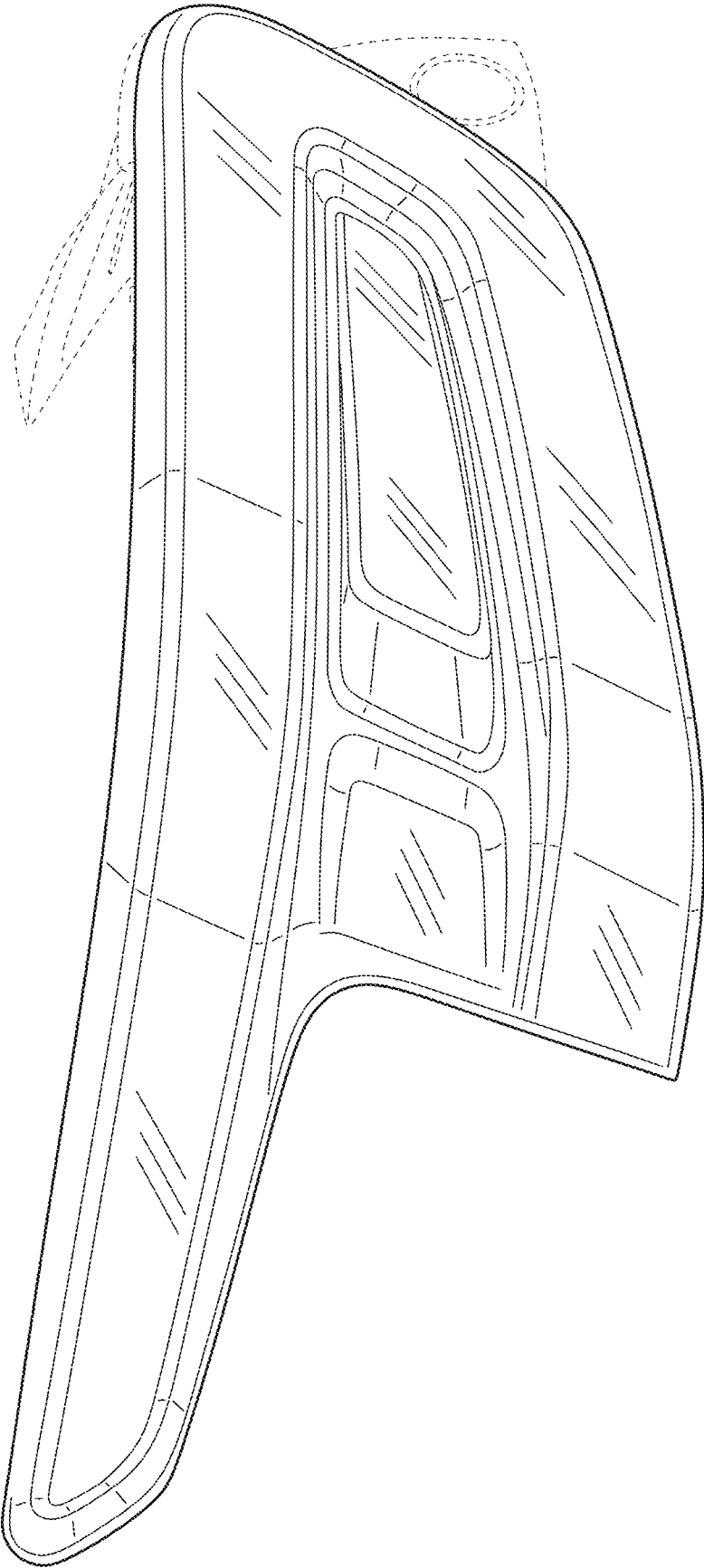


FIG. 1

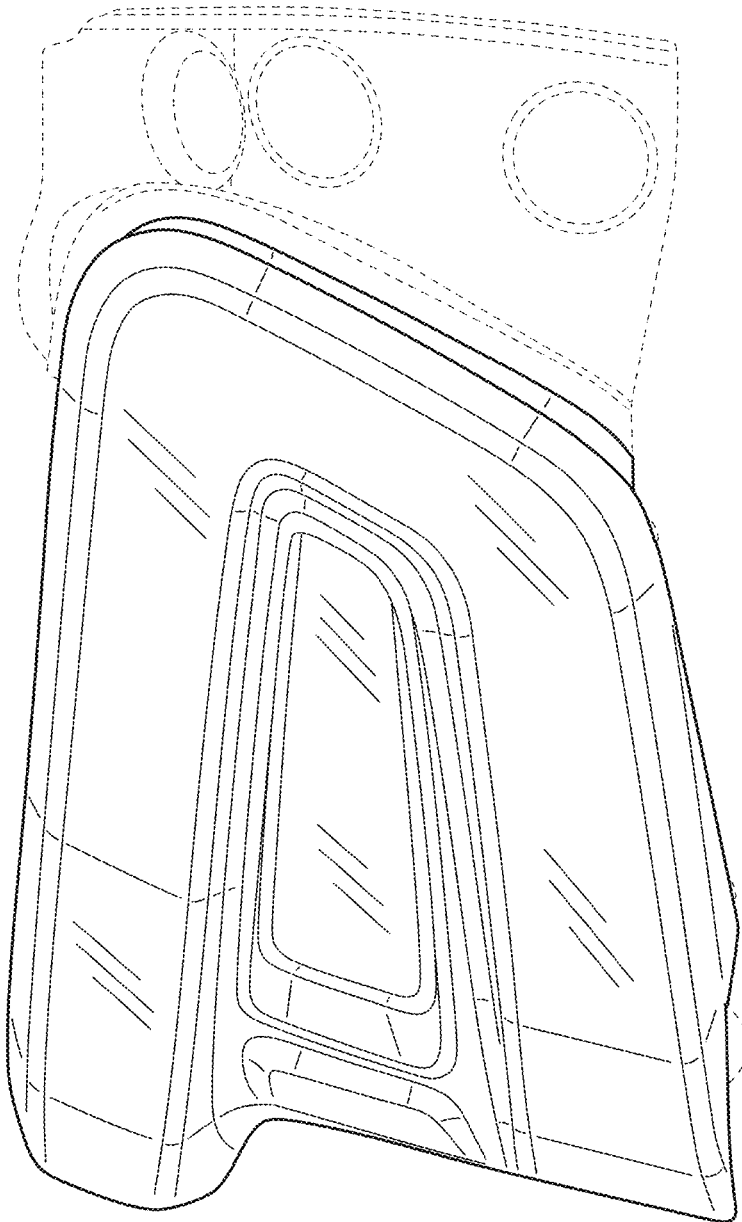


FIG. 2

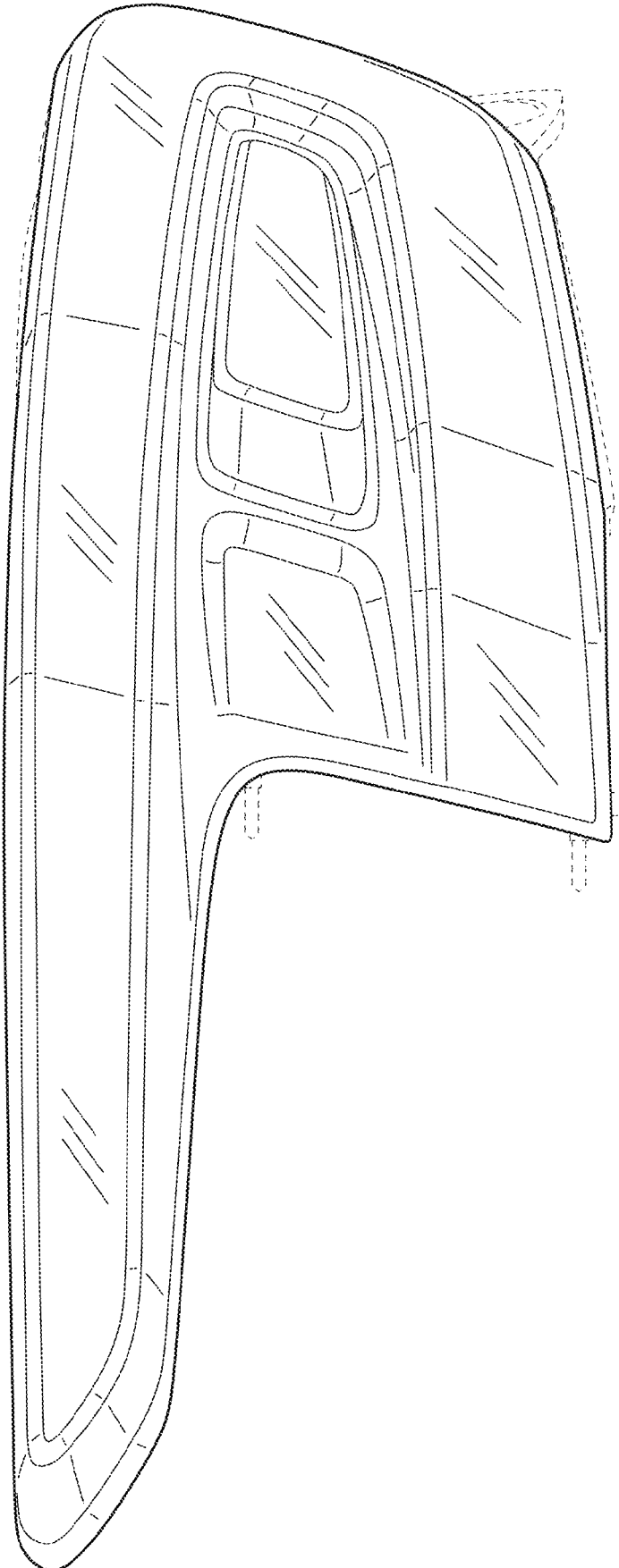


FIG. 3

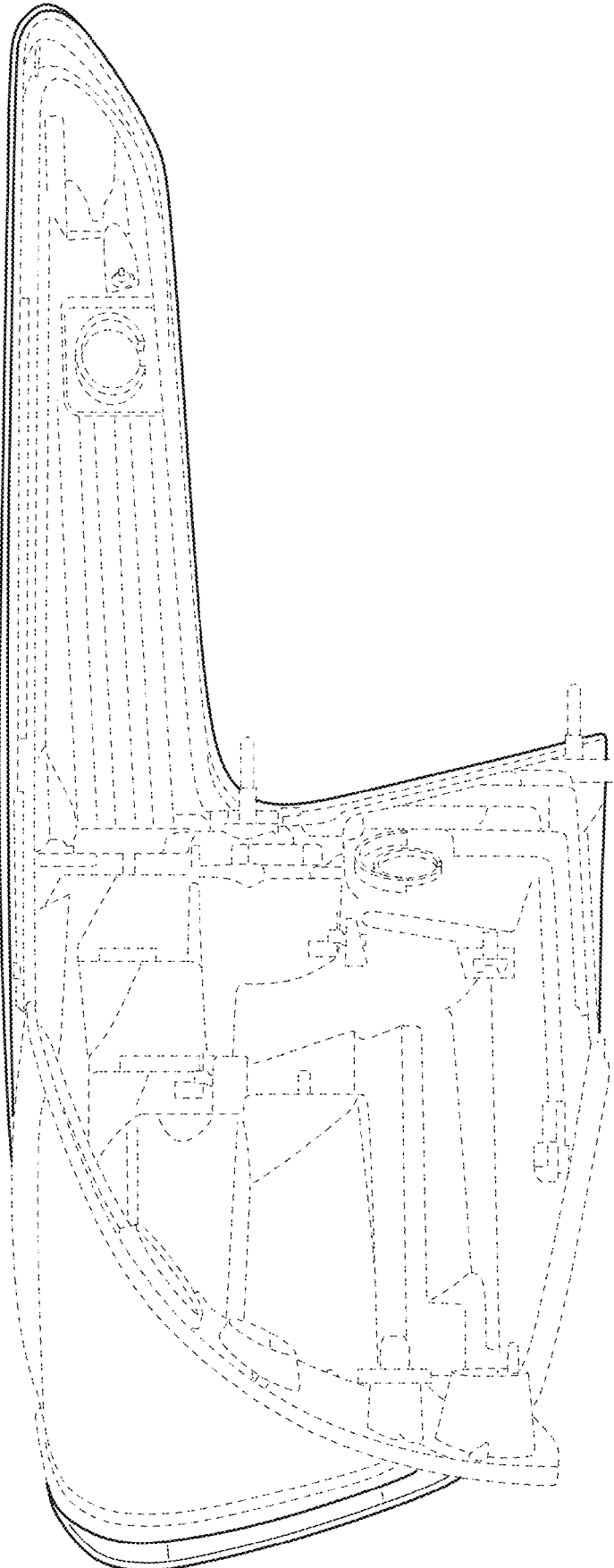


FIG. 4

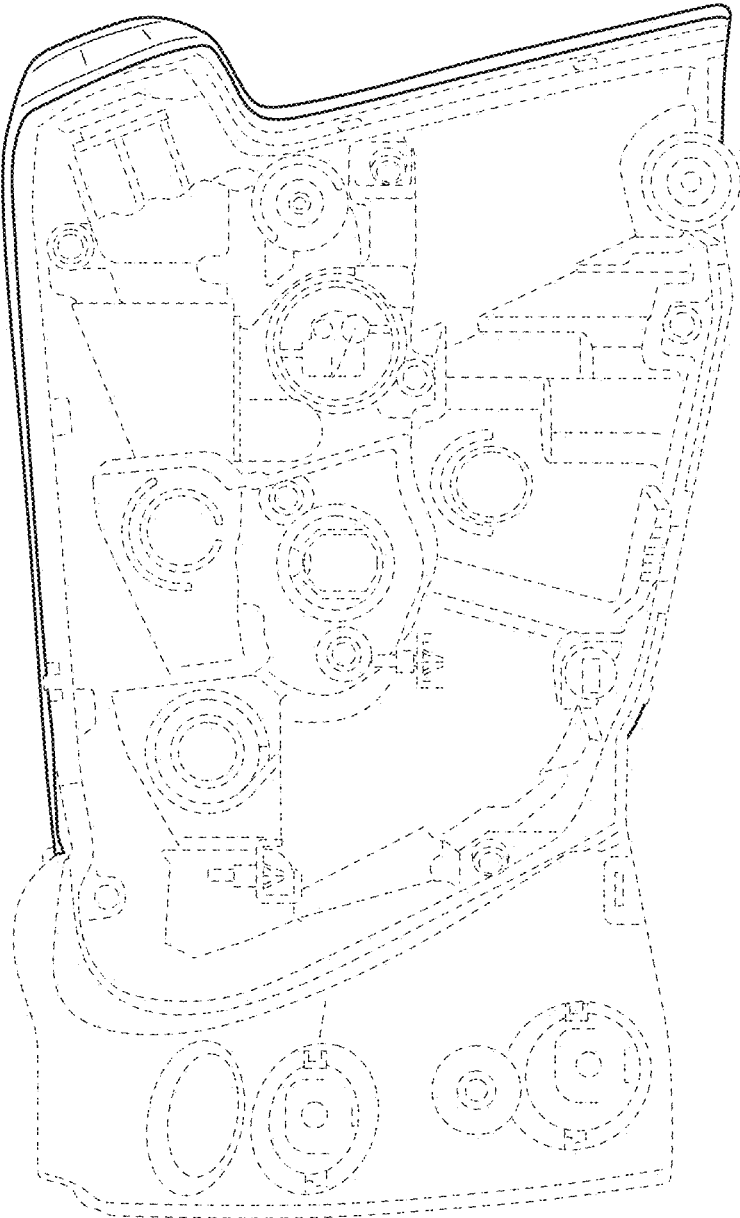


FIG. 5

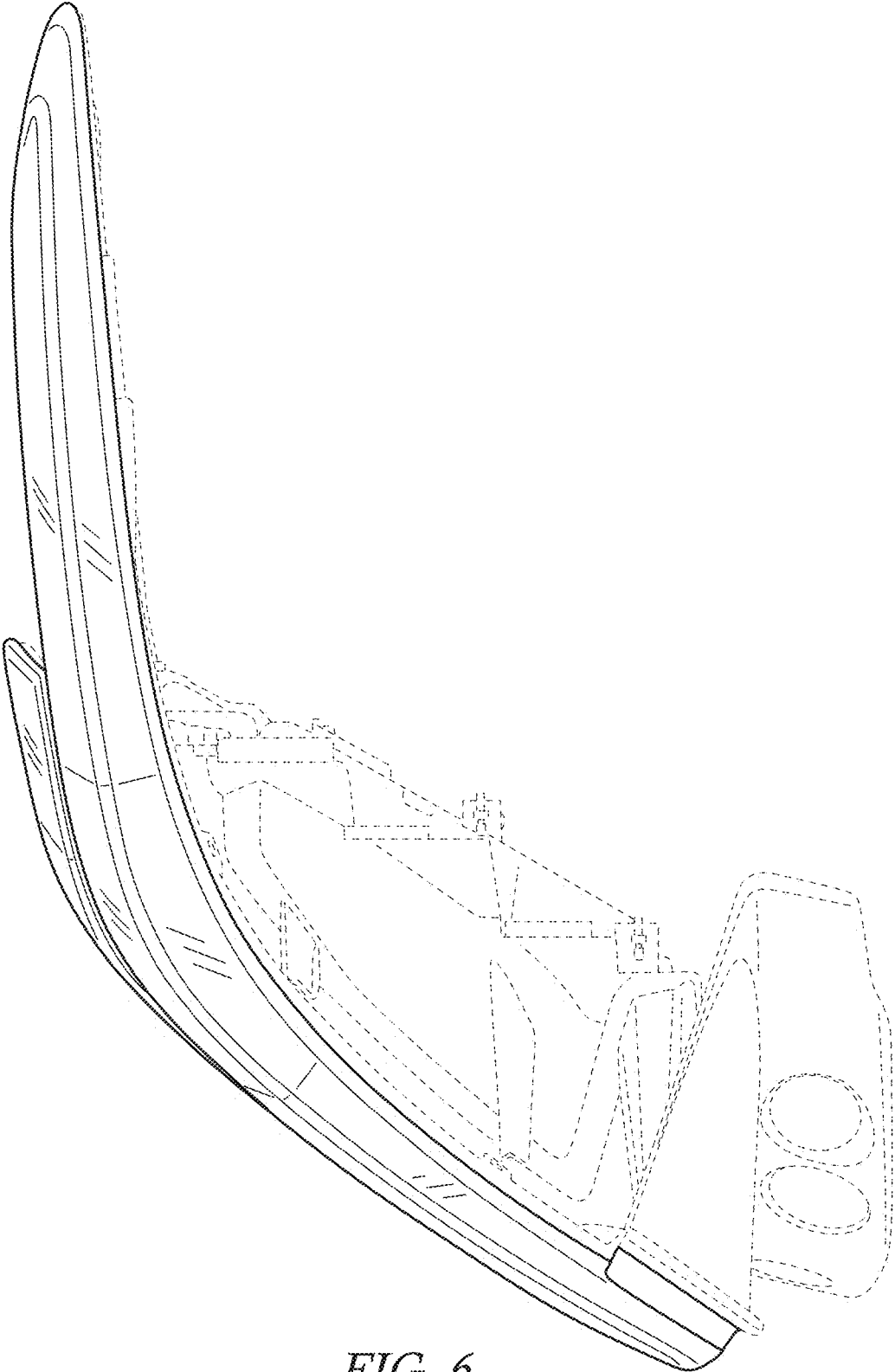


FIG. 6

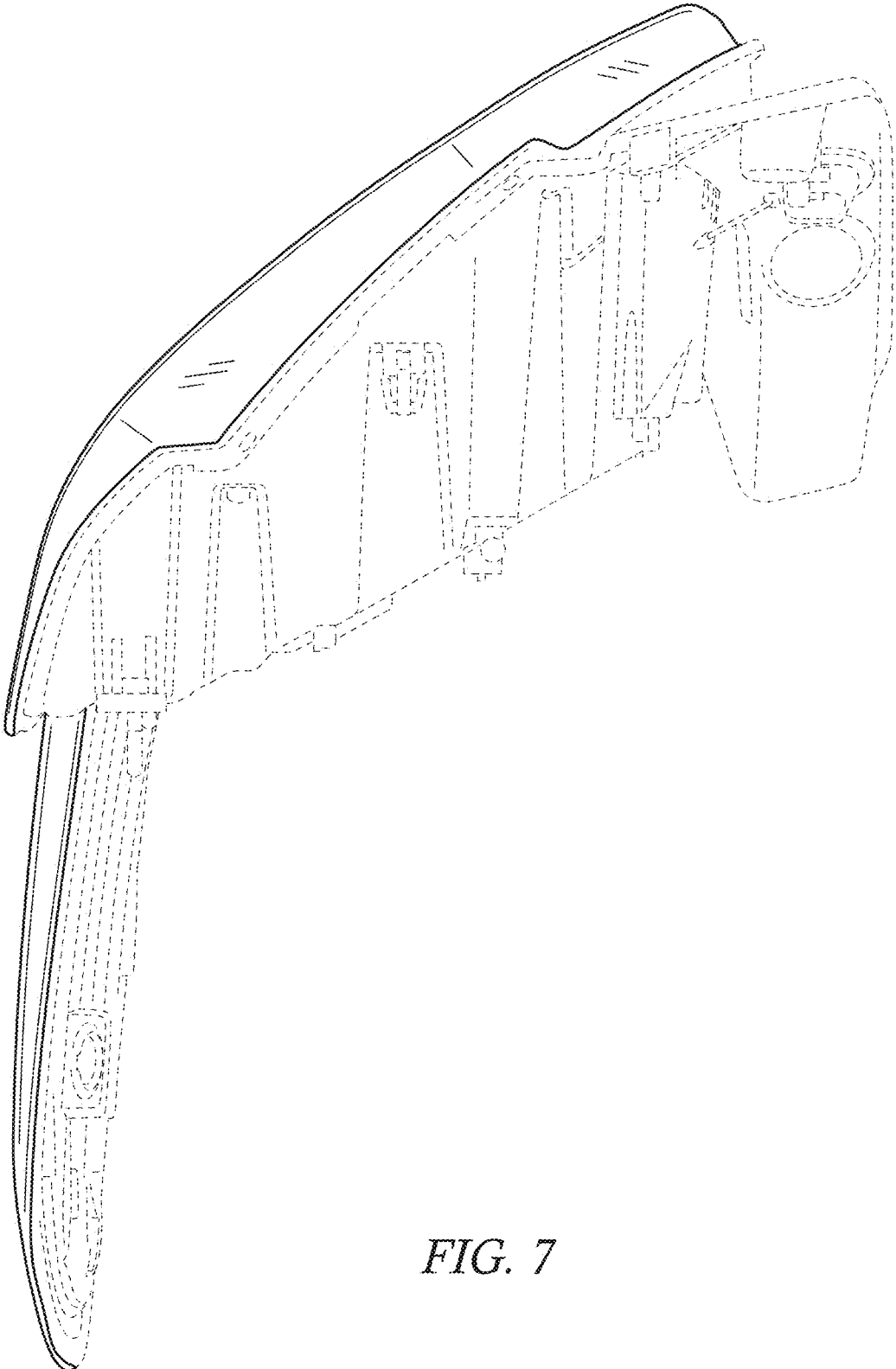


FIG. 7