



US00D930795S

(12) **United States Design Patent**
Guo

(10) **Patent No.:** **US D930,795 S**

(45) **Date of Patent:** **** Sep. 14, 2021**

(54) **FAUCET HANDLE**

(71) Applicant: **Wenhua Guo**, Shanxi (CN)

(72) Inventor: **Wenhua Guo**, Shanxi (CN)

(**) Term: **15 Years**

(21) Appl. No.: **29/707,070**

(22) Filed: **Sep. 25, 2019**

(51) **LOC (13) Cl.** **23-01**

(52) **U.S. Cl.**
USPC **D23/252**

(58) **Field of Classification Search**
USPC D23/238-243, 250, 252, 254;
D8/307-308

See application file for complete search history.

(56) **References Cited**

U.S. PATENT DOCUMENTS

D512,488 S * 12/2005 Kulig D23/252
D596,713 S * 7/2009 Haug D23/252

D651,287 S * 12/2011 Kwok D23/252
D851,217 S * 6/2019 Chen D23/252
D923,146 S * 6/2021 Yang D23/238

* cited by examiner

Primary Examiner — Robert A Delehanty

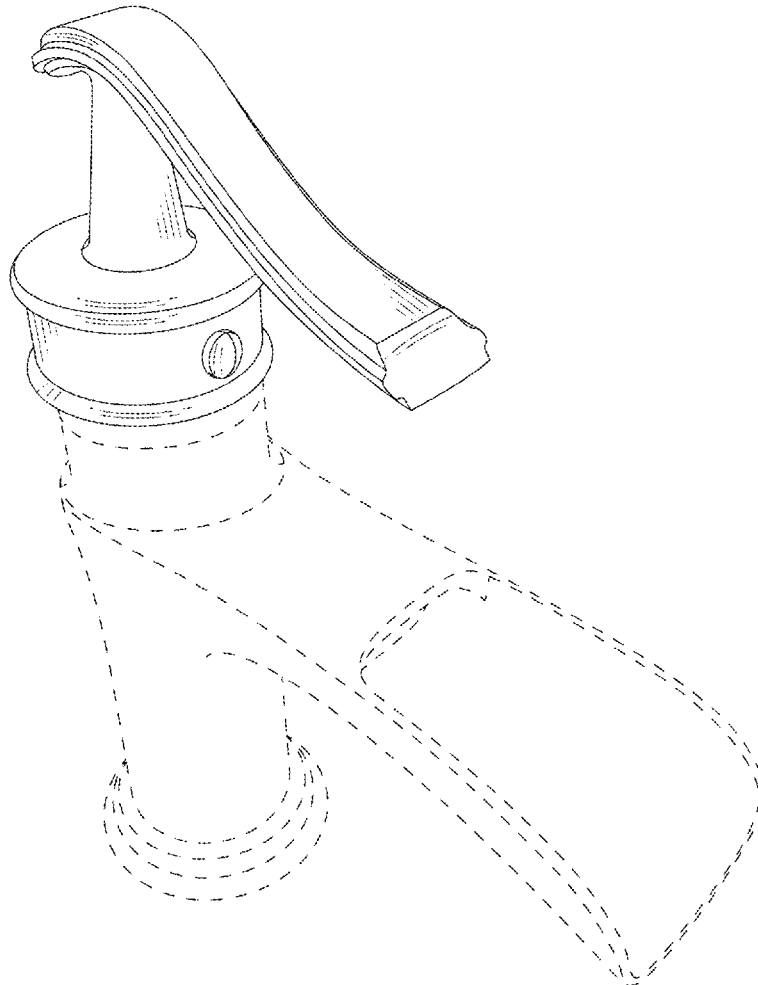
(57) **CLAIM**

The ornamental design for a faucet handle, as shown and described.

DESCRIPTION

FIG. 1 is a perspective view of a faucet handle showing my new design;
FIG. 2 is a front elevational view thereof;
FIG. 3 is a rear elevational view thereof;
FIG. 4 is a left side elevational view thereof;
FIG. 5 is a right side elevational view thereof;
FIG. 6 is a top plan view thereof; and,
FIG. 7 is a bottom plan view thereof.
The broken lines shown in the drawings represent unclaimed portions of the faucet and forms no part of the claimed design.

1 Claim, 7 Drawing Sheets



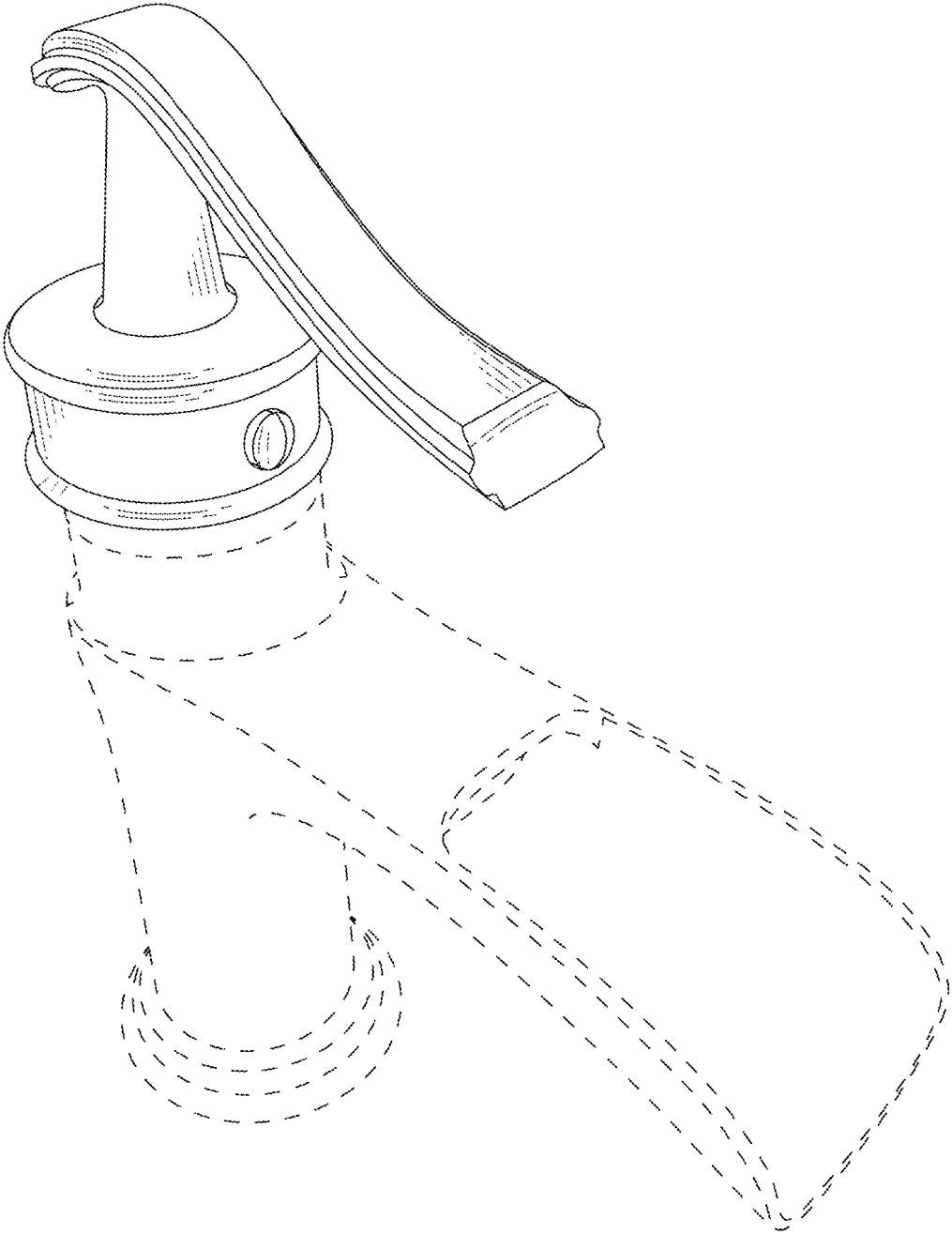


FIG. 1

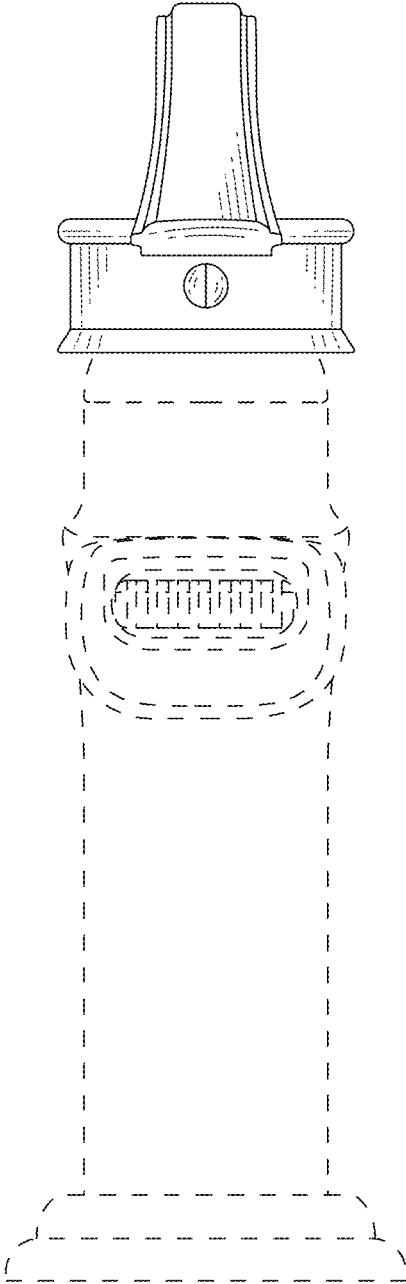


FIG. 2

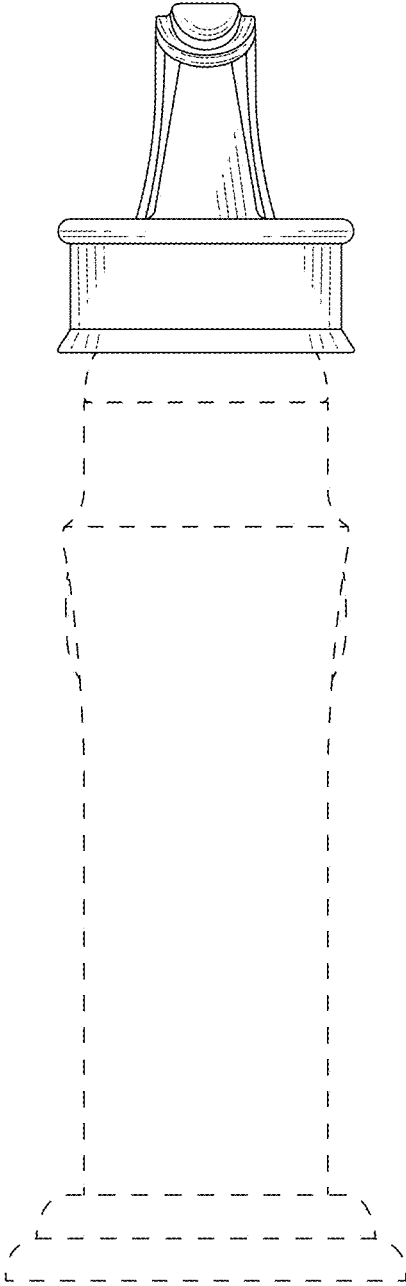


FIG. 3

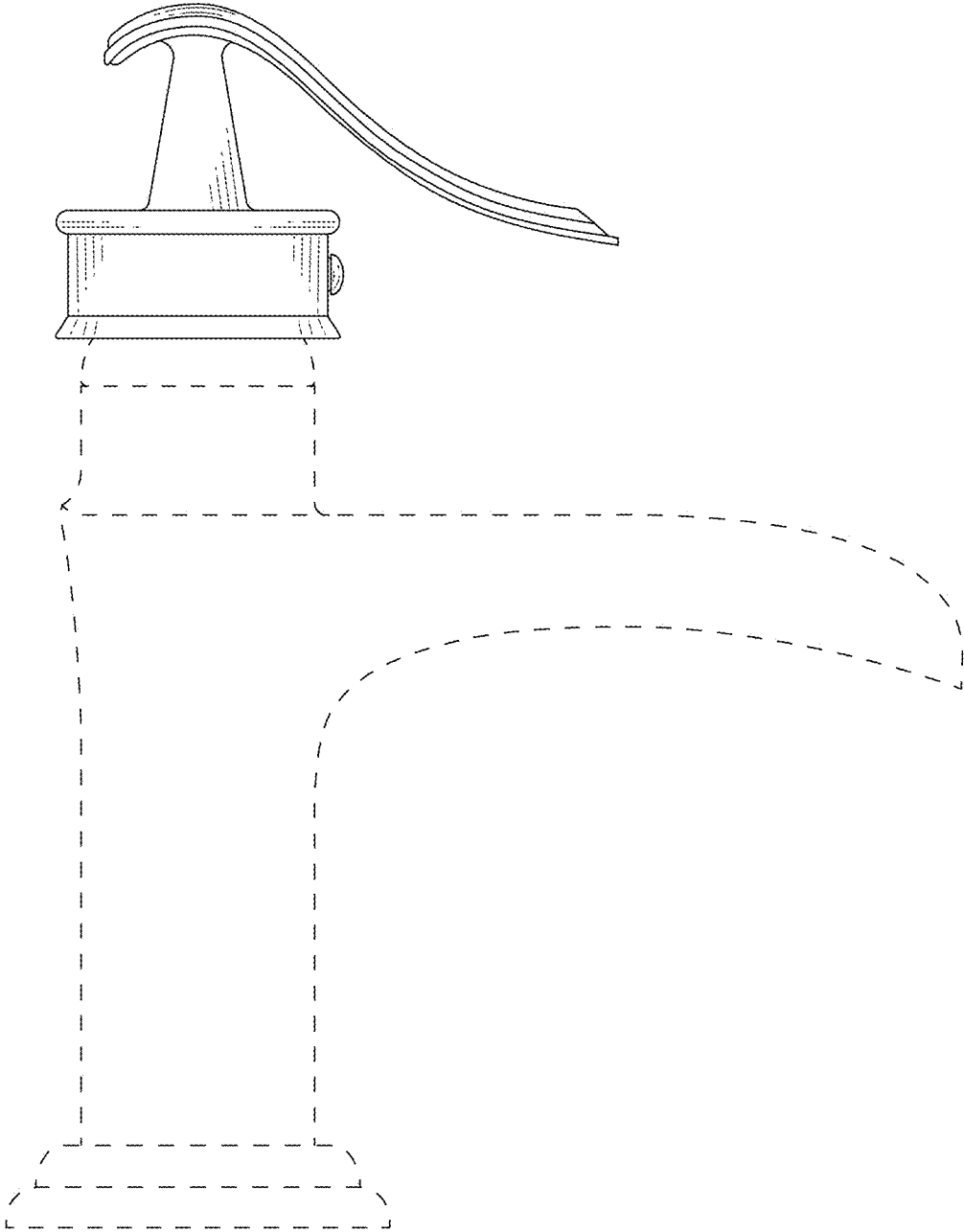


FIG. 4

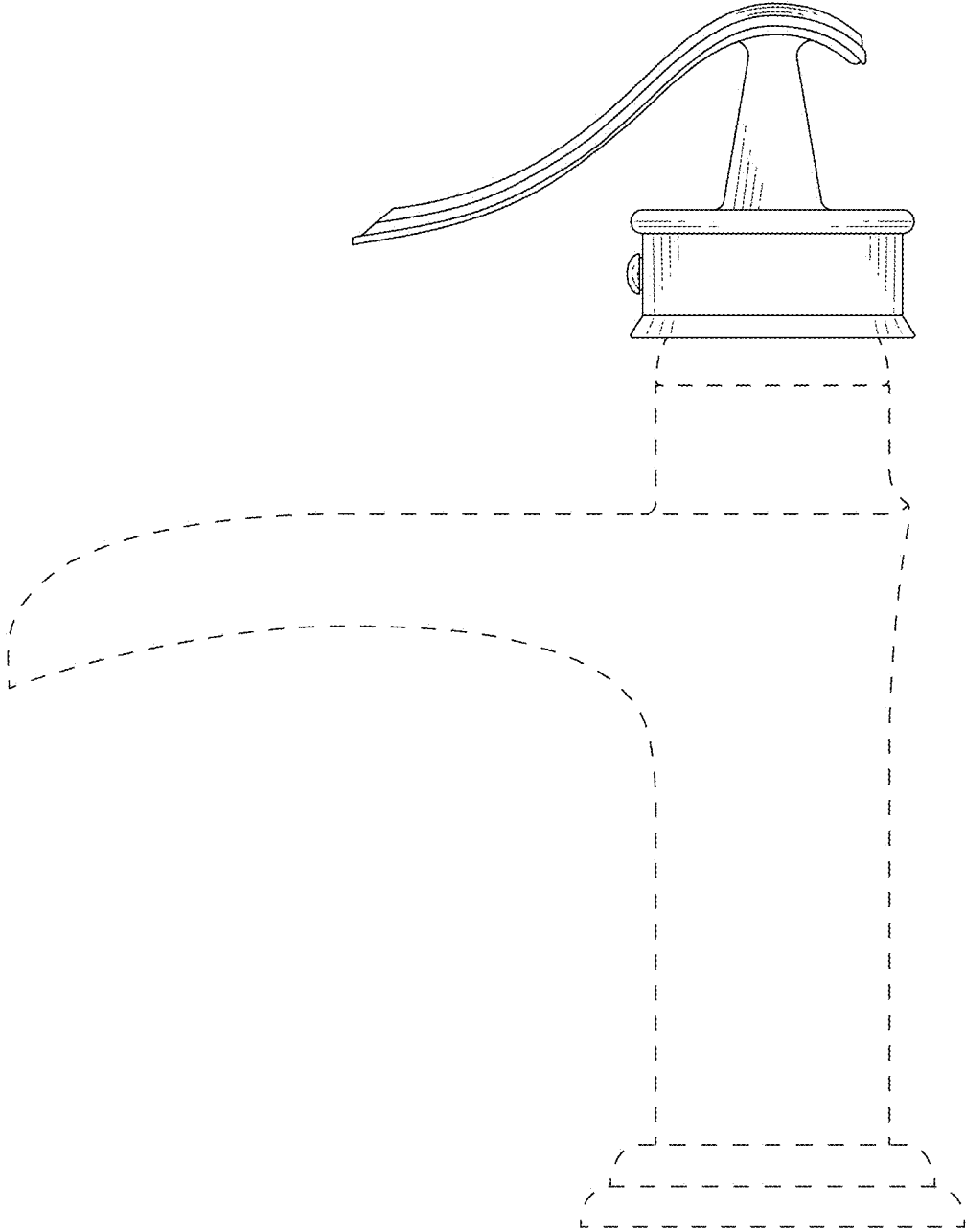


FIG. 5

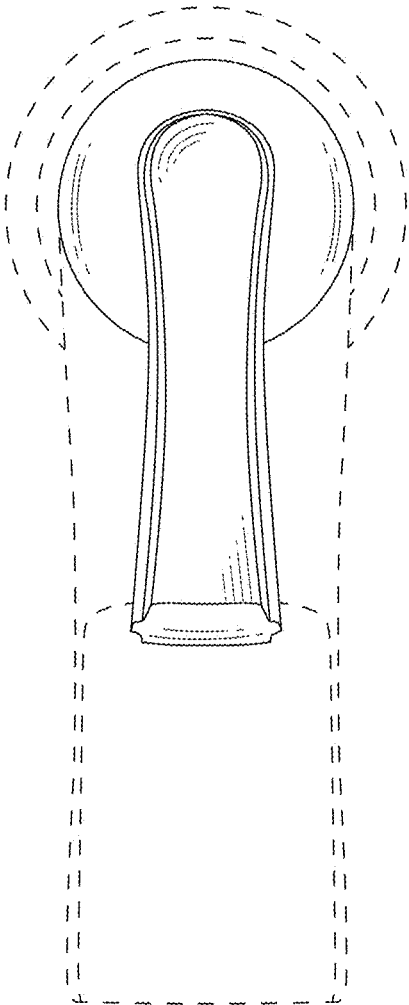


FIG. 6

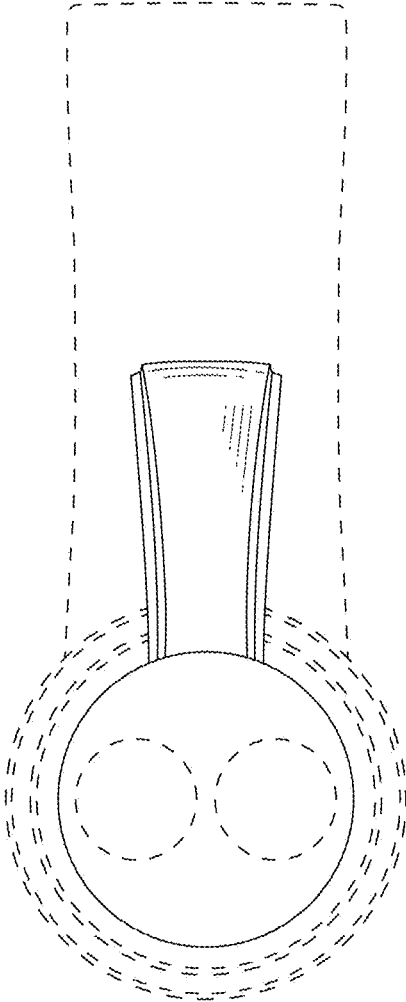


FIG. 7