



US00D829583S

(12) **United States Design Patent**
Tremp et al.

(10) **Patent No.:** **US D829,583 S**

(45) **Date of Patent:** **** Oct. 2, 2018**

(54) **APPARATUS FOR MEASURING MATERIALS**

D689,784 S * 9/2013 McDonald D10/96
D699,608 S * 2/2014 Nemer D10/81
D755,656 S * 5/2016 Betsinger D10/101
D789,818 S * 6/2017 Moore D10/83

(71) Applicant: **PROCEQ AG**, Schwerzenbach (CH)

(72) Inventors: **Reto Tremp**, Rüti (CH); **Marcel Delavy**, Zürich (CH); **Leonhard Reibmayr**, Zürich (CH)

* cited by examiner

Primary Examiner — George D. Kirschbaum

(**) Term: **15 Years**

(21) Appl. No.: **35/502,440**

(57) **CLAIM**

(22) Filed: **Aug. 17, 2016**

The ornamental design for a apparatus for measuring materials, as shown and described.

(80) **Hague Agreement Data**

Int. Filing Date: **Aug. 17, 2016**

Int. Reg. No.: **DM/092682**

Int. Reg. Date: **Aug. 17, 2016**

Int. Reg. Pub. Date: **Feb. 17, 2017**

DESCRIPTION

(51) **LOC (11) Cl.** **10-04**

1. Apparatus for measuring materials

(52) **U.S. Cl.**

1.1 : Perspective

USPC **D10/83**

1.2 : Front

(58) **Field of Classification Search**

USPC D10/83–84, 81, 96, 52, 101

1.3 : Left

See application file for complete search history.

1.4 : Back

1.5 : Right

1.6 : Top

1.7 : Bottom

(56) **References Cited**

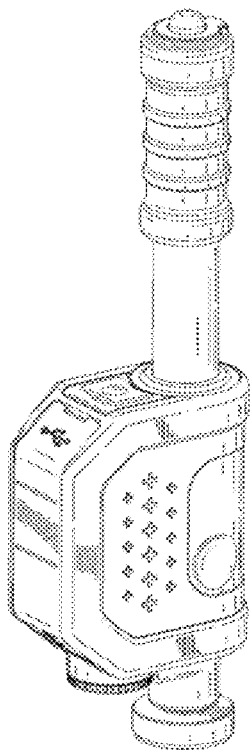
U.S. PATENT DOCUMENTS

D428,493 S * 7/2000 Radwanski D10/81

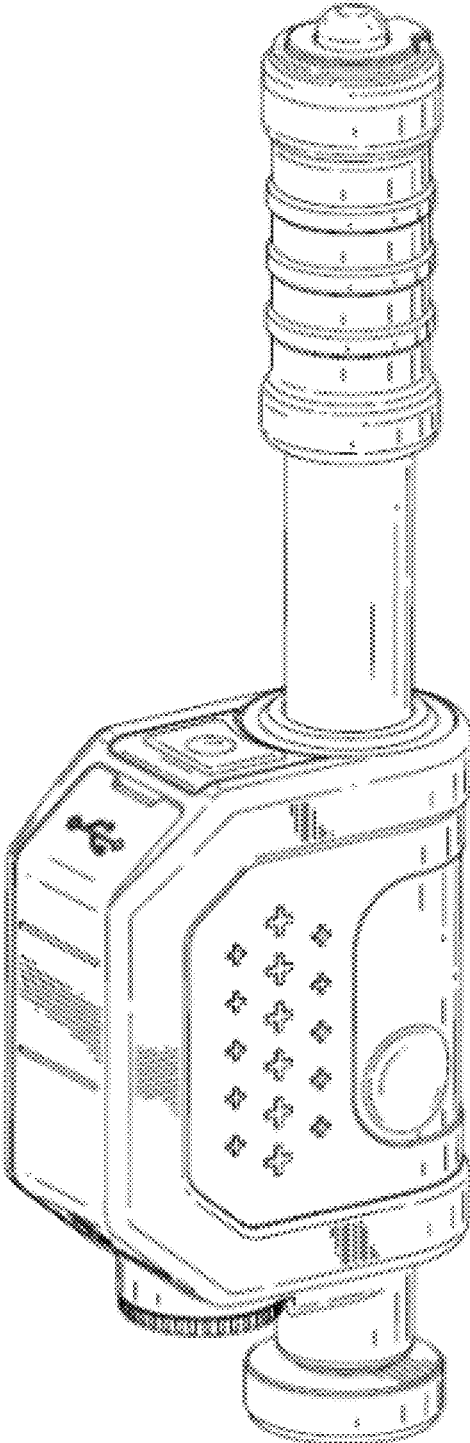
D587,154 S * 2/2009 Starikov D10/96

The shading in the drawings show the surface configuration of the product.

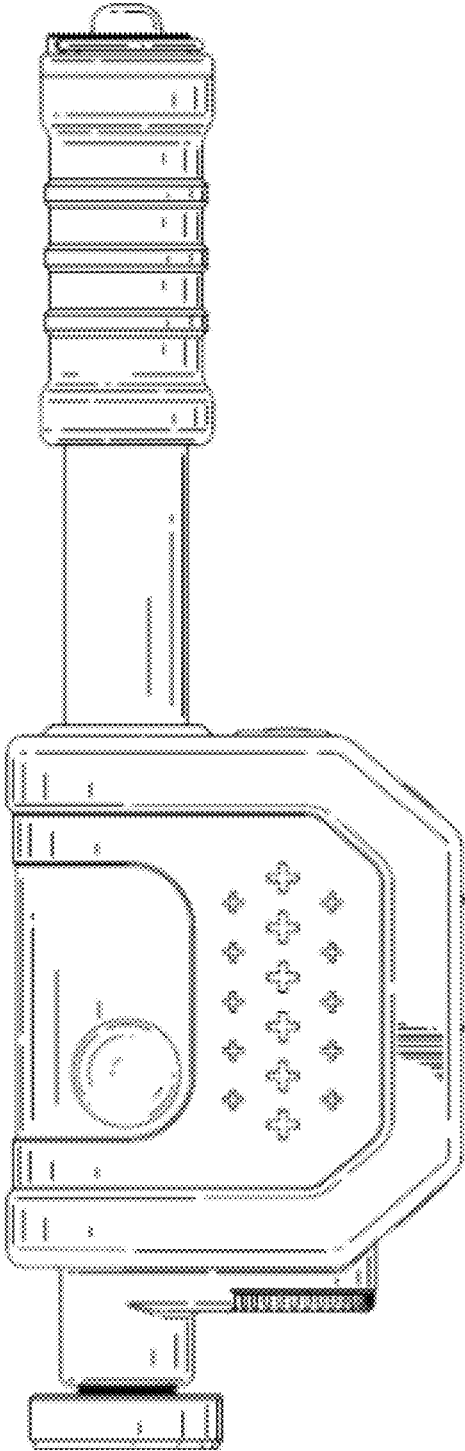
1 Claim, 7 Drawing Sheets



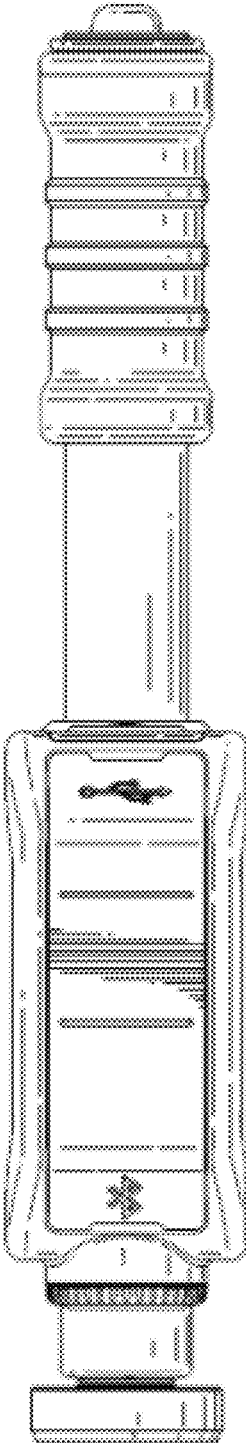
1.1



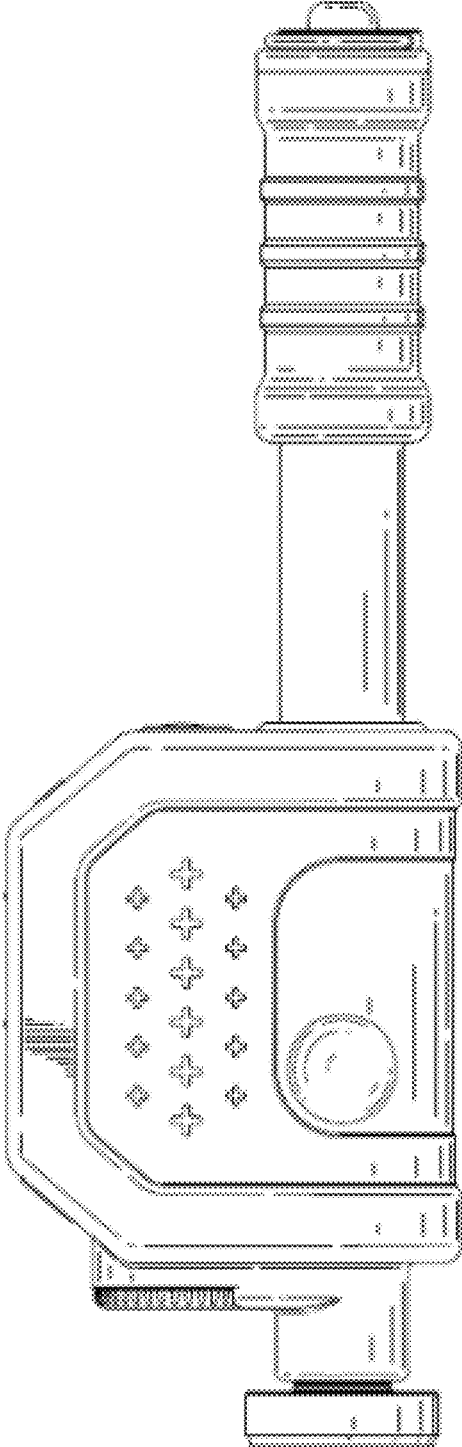
1.2



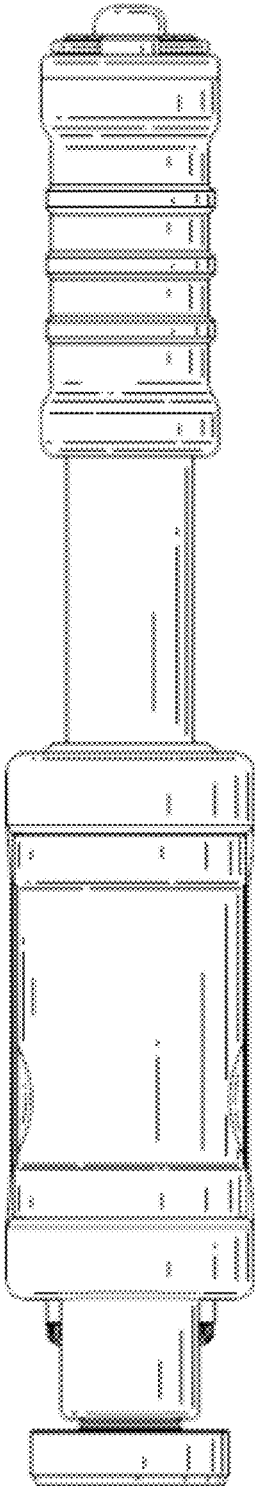
1.3



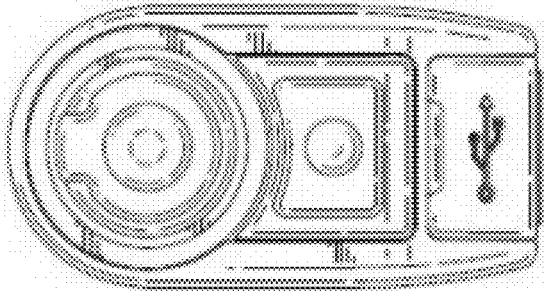
1.4



1.5



1.6



1.7

