



US00D850035S

(12) **United States Design Patent**
Yoon et al.

(10) **Patent No.:** **US D850,035 S**

(45) **Date of Patent:** **** May 28, 2019**

(54) **WASHING MACHINE**

(71) Applicant: **SAMSUNG ELECTRONICS CO., LTD.**, Suwon-si, Gyeonggi-do (KR)

(72) Inventors: **Sanghun Yoon**, Seoul (KR); **Yuna Park**, Seoul (KR); **Myunggyu Kim**, Seoul (KR); **Ahjung Joo**, Seoul (KR)

(73) Assignee: **SAMSUNG ELECTRONICS CO., LTD.**, Gyeonggi-Do (KR)

(**) Term: **15 Years**

(21) Appl. No.: **29/648,688**

(22) Filed: **May 23, 2018**

Related U.S. Application Data

(63) Continuation of application No. 29/607,235, filed on Jun. 12, 2017, now Pat. No. Des. 824,123, which is a continuation of application No. 29/590,790, filed on Jan. 13, 2017, now Pat. No. Des. 825,867.

Foreign Application Priority Data

Nov. 29, 2016 (KR) 30-2016-0057634

(51) **LOC (11) Cl.** **15-05**

(52) **U.S. Cl.**
USPC **D32/6**

Field of Classification Search

USPC D32/29.1, 29, 28, 6, 25, 8, 1, 5, 10
CPC D06F 39/045; D06F 29/00; D06F 29/005;
D06F 25/00; D06F 39/022; D06F 33/02;
D06F 2204/065; D06F 35/006

See application file for complete search history.

(56) **References Cited**

U.S. PATENT DOCUMENTS

4,307,588 A 12/1981 Smith et al.
4,429,817 A 2/1984 Ikeda

D359,602 S 6/1995 Swartz et al.
D360,500 S 7/1995 Millet et al.
D374,954 S 10/1996 Katz et al.
D380,883 S 7/1997 Katz et al.
D457,991 S 5/2002 Baldwin et al.
D465,308 S 11/2002 Resuello et al.
D470,632 S 2/2003 Oda
D489,496 S 5/2004 Sneddon
D491,324 S 6/2004 Kim et al.
D492,073 S 6/2004 Sneddon
D516,258 S 2/2006 Matsusaki et al.
D517,257 S 3/2006 Kim et al.
D519,692 S 4/2006 Jun
D524,000 S 6/2006 Kim et al.
D526,453 S 8/2006 Jun

(Continued)

FOREIGN PATENT DOCUMENTS

CN 303423821 S 10/2015
KR 300387514 S 7/2005
KR 300768037 S 11/2014

Primary Examiner — Michelle E. Wilson

(74) *Attorney, Agent, or Firm* — Cantor Colburn LLP

(57) **CLAIM**

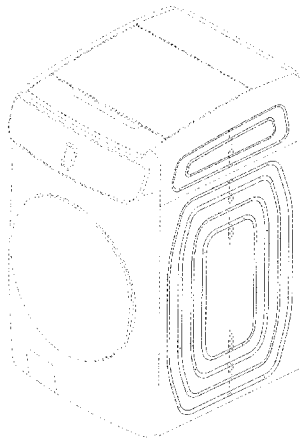
We claim the ornamental design for a washing machine, as shown and described.

DESCRIPTION

FIG. 1 is the front perspective view of a washing machine showing our new design;
FIG. 2 is the front view thereof;
FIG. 3 is the rear view thereof;
FIG. 4 is the left-side view thereof;
FIG. 5 is the right-side view thereof;
FIG. 6 is the top view thereof; and,
FIG. 7 is the bottom view thereof.

The broken lines in the figures depict environmental subject matter and form no part of the claimed design.

1 Claim, 7 Drawing Sheets



(56)

References Cited

U.S. PATENT DOCUMENTS

D527,150 S	8/2006	Jun		D701,657 S	*	3/2014	Chung	D32/6
D527,853 S	9/2006	Carey et al.		D701,658 S	*	3/2014	Chung	D32/6
D528,712 S	9/2006	Ha et al.		D703,885 S		4/2014	Ha et al.		
D528,713 S	9/2006	Ha et al.		D703,886 S		4/2014	Ha et al.		
D532,941 S	11/2006	Carey et al.		D705,508 S		5/2014	Calmeise		
D536,144 S	1/2007	Seo et al.		D712,603 S	*	9/2014	Geyer	D32/6
D538,488 S	* 3/2007	Carey	D729,996 S		5/2015	Hwang et al.		
D542,487 S	5/2007	Jun		D729,998 S		5/2015	Jeon et al.		
D542,986 S	5/2007	Crookshanks		D730,596 S		5/2015	Kim et al.		
D542,987 S	5/2007	Crookshanks		D732,763 S		6/2015	Hwang et al.		
D554,307 S	10/2007	Kim		D732,767 S		6/2015	Ha et al.		
D556,394 S	11/2007	Kim		D733,372 S		6/2015	Song et al.		
D571,964 S	6/2008	Kim		D739,096 S		9/2015	Qin et al.		
D575,012 S	8/2008	Rossetto et al.		D739,097 S		9/2015	Qin et al.		
D575,464 S	8/2008	Rossetto et al.		D742,602 S	*	11/2015	Kim	D32/6
D575,913 S	8/2008	Jeon et al.		D746,521 S		12/2015	Ha et al.		
D577,162 S	9/2008	Shail et al.		D747,836 S		1/2016	Cho et al.		
D588,757 S	3/2009	Park et al.		D752,830 S	*	3/2016	Choi	D32/6
D597,712 S	8/2009	Jeon et al.		D759,325 S		6/2016	Jeon et al.		
D617,960 S	* 6/2010	Bohm	D759,909 S		6/2016	Kim et al.		
D620,650 S	7/2010	Lee		D760,454 S		6/2016	Joo et al.		
D625,476 S	10/2010	Lee et al.		D762,021 S		7/2016	Qin et al.		
D626,299 S	10/2010	Lee et al.		D762,025 S		7/2016	Joo et al.		
D630,807 S	1/2011	Song et al.		D764,120 S		8/2016	Choi et al.		
D631,215 S	1/2011	Song et al.		D764,121 S		8/2016	Choi et al.		
D631,624 S	1/2011	Chung et al.		D764,122 S		8/2016	Jo		
D632,033 S	2/2011	Song et al.		D764,123 S		8/2016	Kim et al.		
D633,261 S	2/2011	Song et al.		D764,722 S		8/2016	Jo		
D642,752 S	* 8/2011	Kim	D769,553 S		10/2016	Lee		
D642,753 S	* 8/2011	Ha	D770,103 S		10/2016	Ha et al.		
D648,084 S	11/2011	Browne et al.		D770,698 S		11/2016	Lee et al.		
D648,085 S	11/2011	Miller et al.		D770,705 S		11/2016	Kang et al.		
D648,497 S	11/2011	Bhattacharya		D770,706 S		11/2016	Ha et al.		
D648,907 S	11/2011	Jeon et al.		D770,707 S		11/2016	Ha et al.		
D649,722 S	11/2011	Chung et al.		D771,330 S		11/2016	Ha et al.		
D653,006 S	* 1/2012	Takahashi	D772,499 S		11/2016	Yoon et al.		
D654,640 S	2/2012	Song et al.		D772,500 S		11/2016	Park et al.		
D658,340 S	* 4/2012	Jeon	D772,502 S		11/2016	Choi et al.		
D659,307 S	5/2012	Geyer et al.		D773,128 S		11/2016	Kim et al.		
D661,852 S	6/2012	Song et al.		D773,753 S		12/2016	Kim et al.		
D663,907 S	7/2012	Jeon et al.		D773,754 S		12/2016	Choi et al.		
D665,544 S	* 8/2012	Jeon	D773,755 S		12/2016	Hwang et al.		
D667,179 S	* 9/2012	Jeon	D773,757 S		12/2016	Hwang et al.		
D679,462 S	4/2013	Zhang et al.		D774,714 S		12/2016	Kang et al.		
D693,973 S	* 11/2013	Geyer	D774,715 S		12/2016	Kim et al.		
D694,965 S	12/2013	Lee et al.		D774,716 S		12/2016	Kim		
D695,474 S	12/2013	Calmeise		D787,759 S	*	5/2017	Geyer	D32/6
D697,680 S	1/2014	Hwang et al.		D796,752 S		9/2017	Bixby et al.		
D699,907 S	2/2014	Choi et al.		D798,004 S		9/2017	Bixby et al.		
D701,656 S	3/2014	Choi et al.		D800,976 S	*	10/2017	Im	D32/6
				D801,602 S	*	10/2017	Im	D32/6

* cited by examiner

FIG. 1

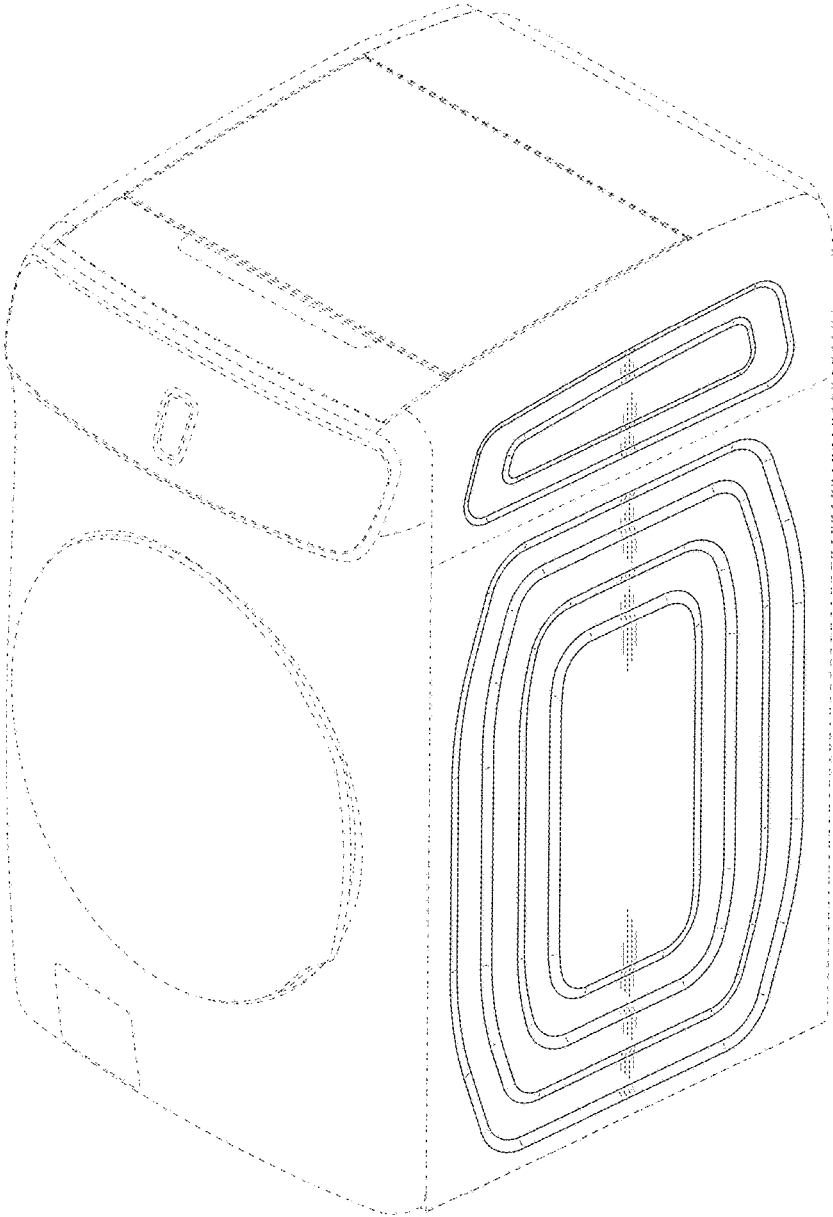


FIG. 2

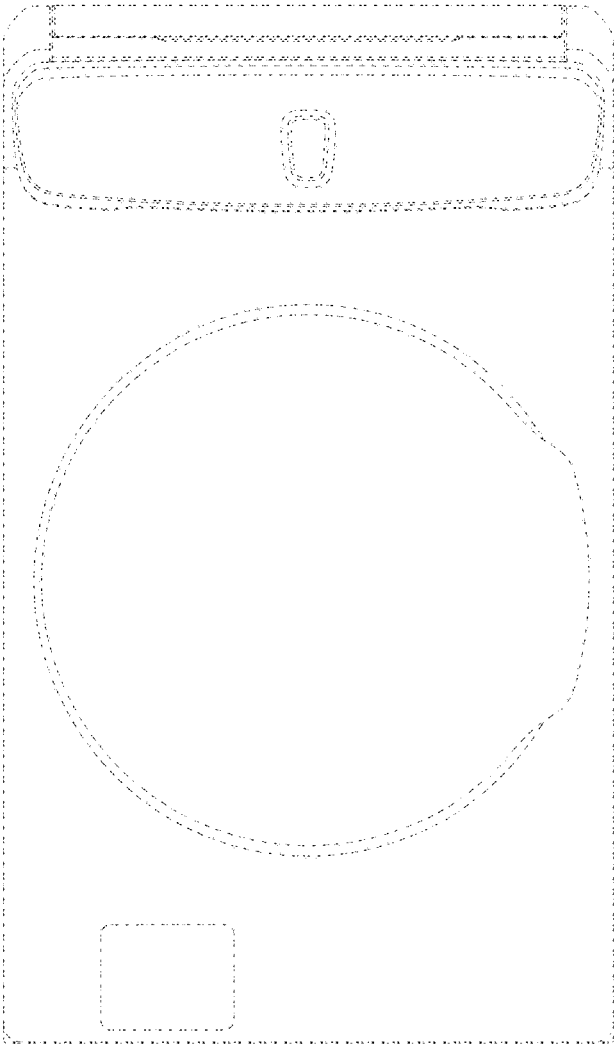


FIG. 3

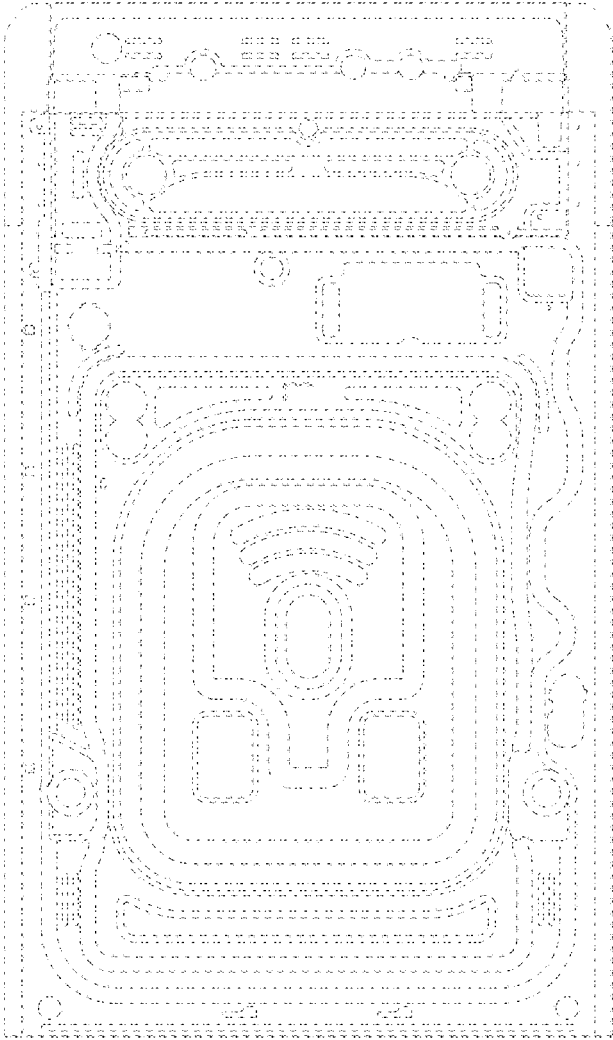


FIG.4

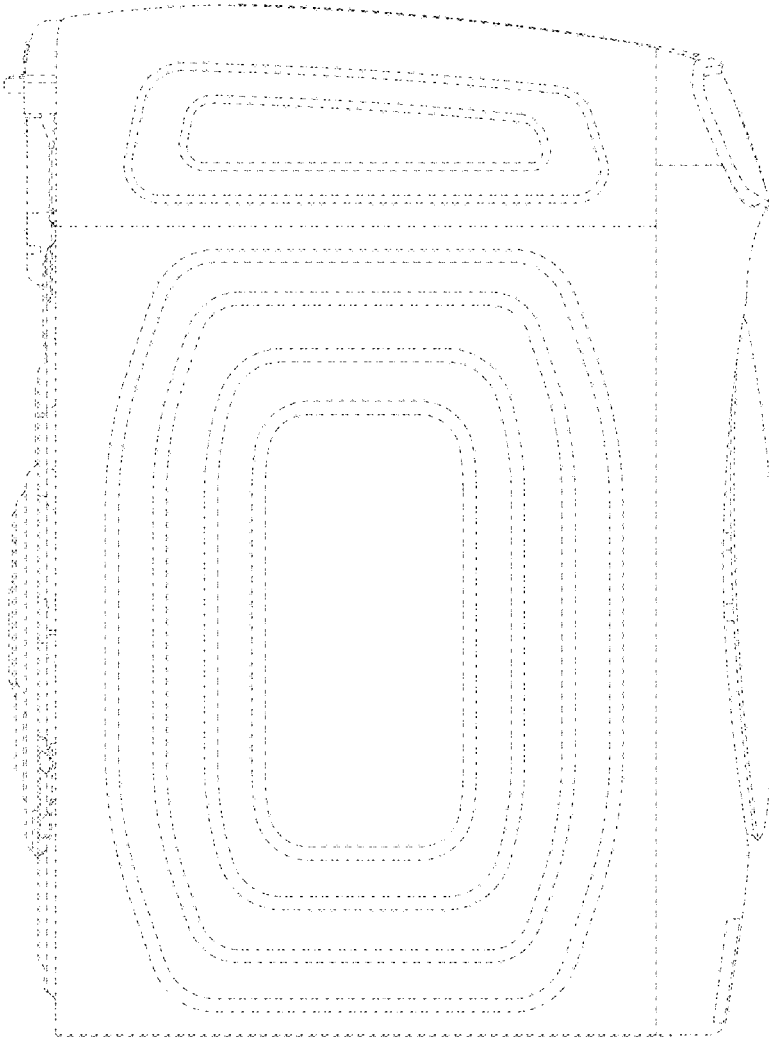


FIG. 5

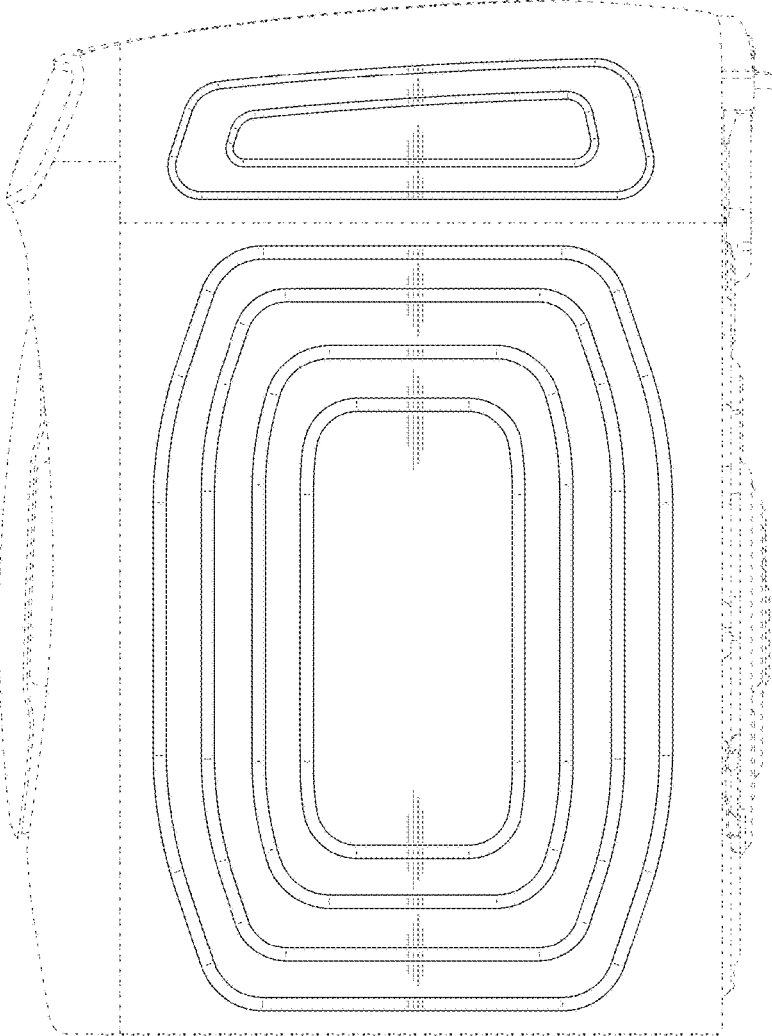


FIG. 6

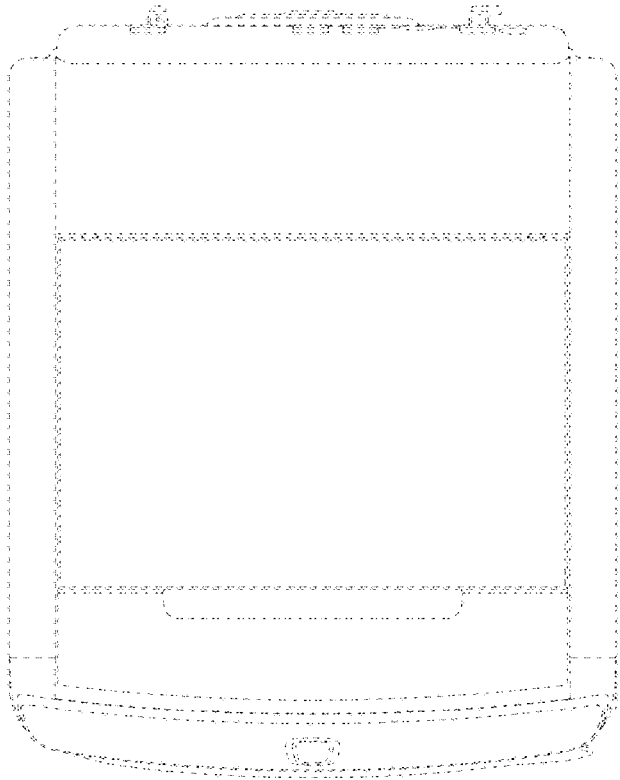


FIG. 7

