



US00D653105S

(12) **United States Design Patent**
Degeyter et al.

(10) **Patent No.:** **US D653,105 S**

(45) **Date of Patent:** **** Jan. 31, 2012**

(54) **CONTAINER**

(75) Inventors: **Raf Gustaaf Alfons Degeyter**, Donk
(BE); **Vincent De Wilde**, Kessel-Lo
(BE); **Rainer Scharrenberg**, Kronberg
(DE); **Chris Van Den Wouwer**, Mortsel
(BE)

(73) Assignee: **The Procter & Gamble company**,
Cincinnati, OH (US)

(**) Term: **14 Years**

(21) Appl. No.: **29/380,975**

(22) Filed: **Dec. 14, 2010**

(30) **Foreign Application Priority Data**

Jun. 16, 2010 (EM) 5524333301

(51) **LOC (9) Cl.** **09-03**

(52) **U.S. Cl.** **D9/425; D9/431**

(58) **Field of Classification Search** D9/414,
D9/419, 424, 425, 430, 431, 432, 435, 761;
D7/538, 549, 550.1, 601-603, 605, 629;
229/105, 117.09, 117.26, 189, 406, 407,
229/902, 905, 915.1; 220/23.4, 23.6, 266,
220/281, 315, 318, 500, 659, 669, 674, 675,
220/696, 75, 2, 760, 790, 793, DIG. 12, FOR. 117;
206/499, 508, 557; D3/276

See application file for complete search history.

(56) **References Cited**

U.S. PATENT DOCUMENTS

D219,959 S * 2/1971 Anderson D9/425
D257,107 S 9/1980 Daenen
D308,942 S 7/1990 Thundercliffe
D330,161 S 10/1992 Schuh
D351,090 S * 10/1994 Narsutis D7/629
D351,999 S 11/1994 Krupa
D367,609 S 3/1996 Frank et al.
D374,155 S * 10/1996 Feer et al. D7/602
D382,177 S 8/1997 Ahern

D407,974 S 4/1999 Zimmer et al.
D413,231 S * 8/1999 Loew et al. D7/612
D418,056 S * 12/1999 Johnson D9/431
D429,464 S * 8/2000 Helms D9/431
D442,082 S * 5/2001 Maeda et al. D9/425
D467,800 S 12/2002 Chen et al.
D473,140 S 4/2003 Gilliam et al.
D544,790 S 6/2007 Bouveret et al.
D548,588 S 8/2007 Bouveret et al.
D555,476 S 11/2007 Nielsen
D568,739 S 5/2008 Darr

(Continued)

FOREIGN PATENT DOCUMENTS

CA D. 69655 12/1991

(Continued)

OTHER PUBLICATIONS

U.S. Appl. No. 29/341,570, filed on Aug. 7, 2009, Chris Van Den Wouwer.

Primary Examiner — Thomas Johannes

(74) *Attorney, Agent, or Firm* — Julie A. McConihay;
Leonard W. Lewis; Steven W. Miller

(57) **CLAIM**

The ornamental design for a container, as shown and described.

DESCRIPTION

FIG. 1 is an isometric view of a container, showing our new design;

FIG. 2 is a left elevation view thereof;

FIG. 3 is a right elevation view thereof;

FIG. 4 is a front elevation view thereof;

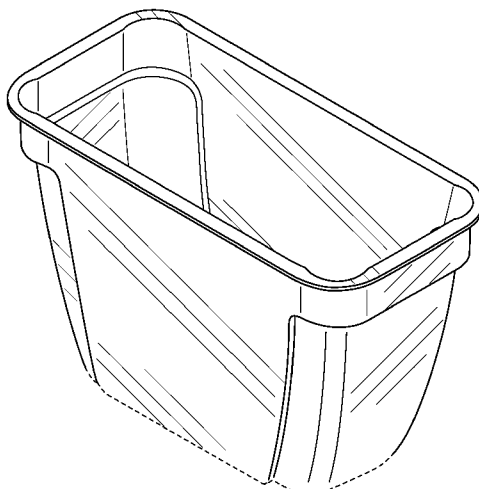
FIG. 5 is a back elevation view thereof;

FIG. 6 is a top plan view thereof; and,

FIG. 7 is a bottom plan view thereof.

The broken line portion of the figure drawings is included to show unclaimed subject matter only and forms no part of the claimed design.

1 Claim, 3 Drawing Sheets



US D653,105 S

Page 2

U.S. PATENT DOCUMENTS

D576,034 S 9/2008 Rosario
D577,996 S * 10/2008 Isono et al. D9/428
D584,145 S 1/2009 Young
D588,914 S 3/2009 Laurieu-Tedeschi
D595,128 S 6/2009 Bouveret et al.
D603,260 S 11/2009 Domoy et al.
D630,900 S * 1/2011 Samartgis D7/602

FOREIGN PATENT DOCUMENTS

CA D. 74555 8/1994
CA D. 75481 1/1995
CA D. 83051 2/1998
CA D. 85929 2/1999

CA D. 85987 2/1999
CA D. 101564 3/2004
CA D. 116966 1/2008
CA D. 116969 1/2008
CA D. 122172 6/2008
CA D. 121882 2/2009
DE D. 40110957-0005 7/2002
DE D. 503849-0002 10/2005
DE D. 40502474-0008 10/2005
DE D. 402008000211-0005 2/2008
EP D. 000773205-0002 8/2007
EP D. 000803002-001 10/2007

* cited by examiner

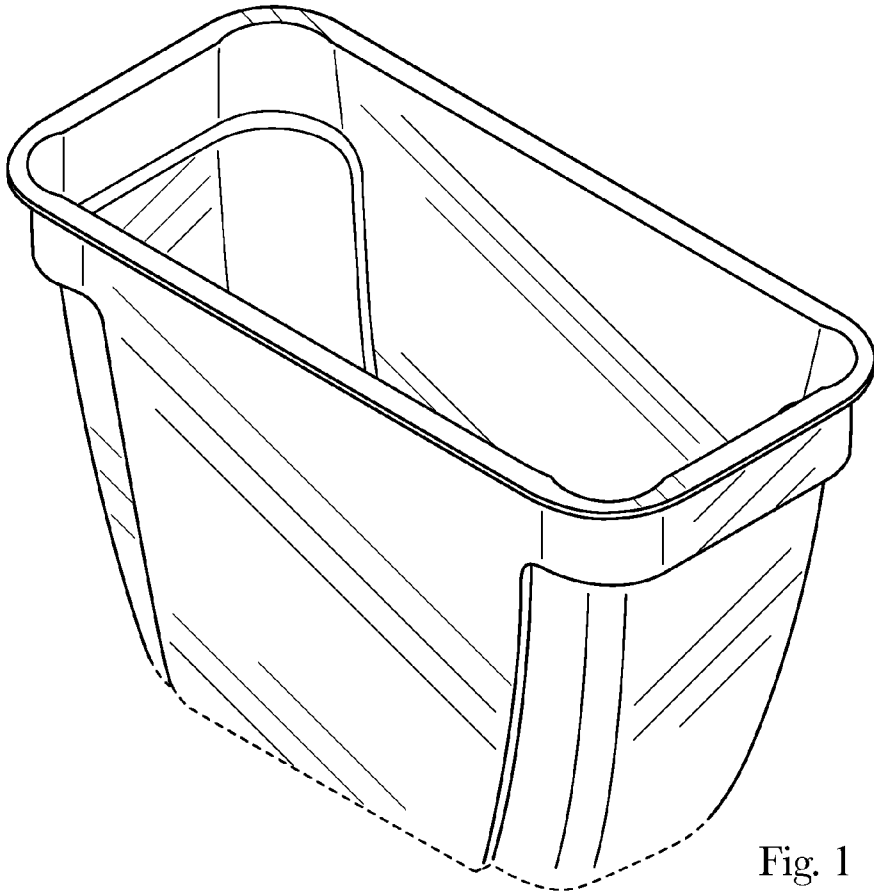


Fig. 1

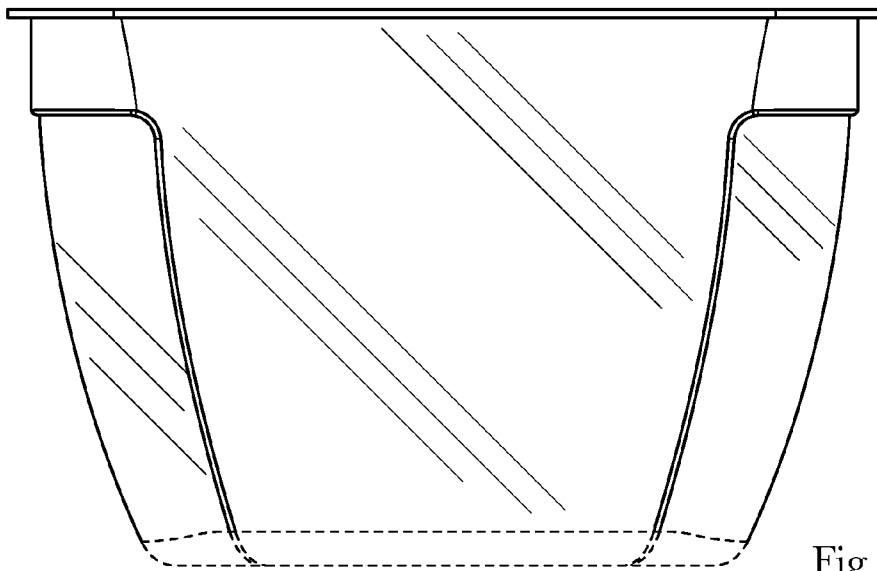
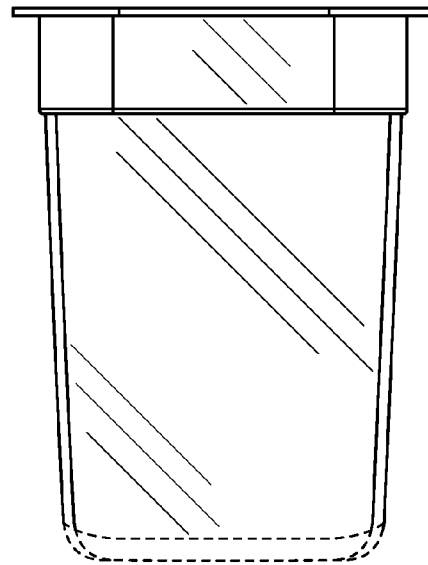
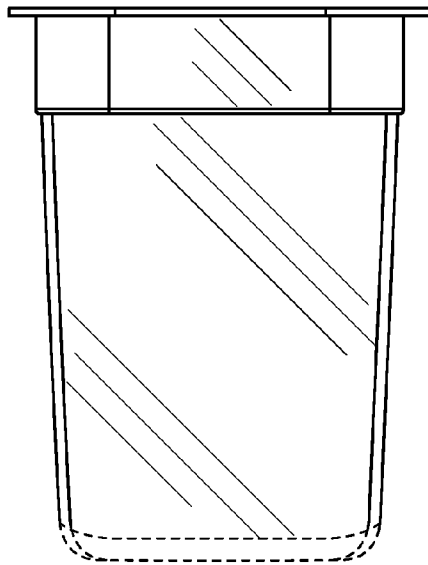
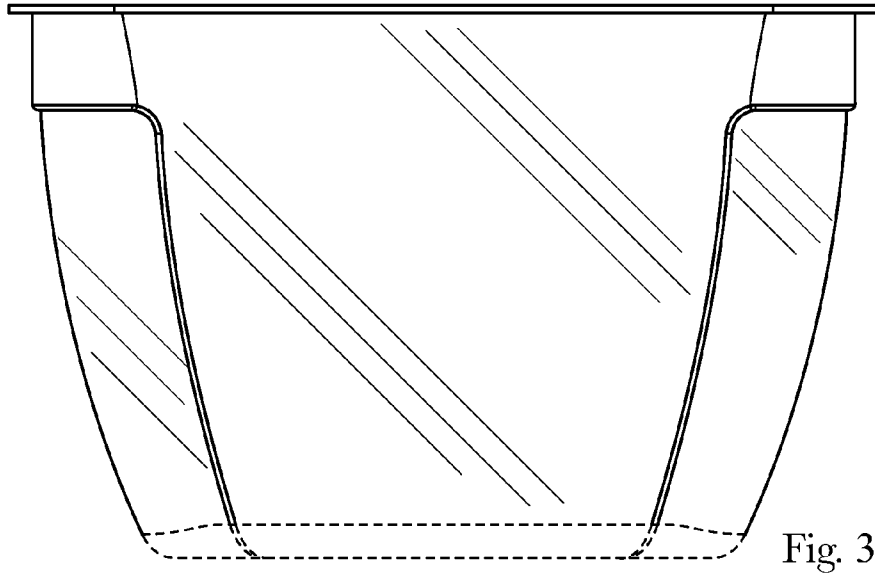


Fig. 2



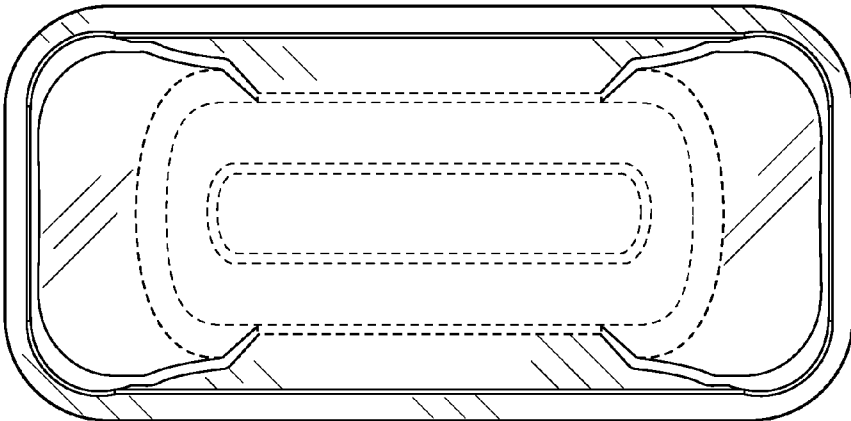


Fig. 6

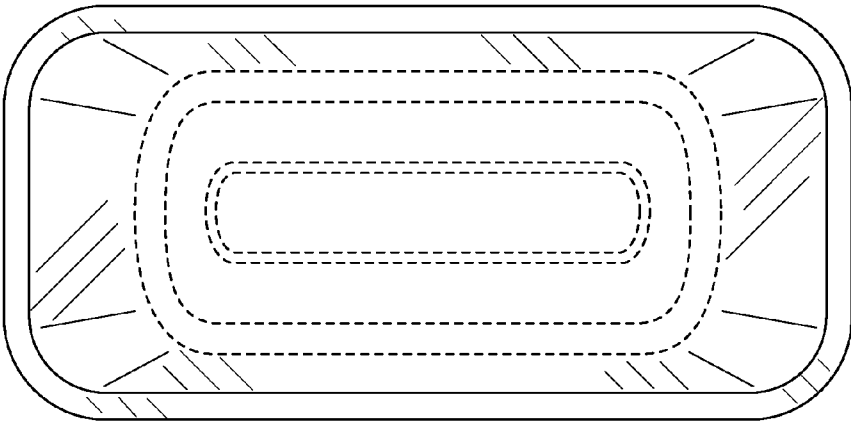


Fig. 7