



US00D516988S

(12) **United States Design Patent**
Laengerer

(10) **Patent No.:** **US D516,988 S**

(45) **Date of Patent:** **** Mar. 14, 2006**

(54) **FRONT FACE OF A VEHICLE WHEEL**

(75) **Inventor:** **Marcus Laengerer, Renningen (DE)**

(73) **Assignee:** **Bayerische Motoren Werke
Aktiengesellschaft, Munich (DE)**

(**) **Term:** **14 Years**

(21) **Appl. No.:** **29/213,693**

(22) **Filed:** **Sep. 22, 2004**

(30) **Foreign Application Priority Data**

Mar. 23, 2004 (DE) 40401901

(51) **LOC (8) Cl.** **12-16**

(52) **U.S. Cl.** **D12/211**

(58) **Field of Classification Search** D12/204-213;
301/37.101, 64.101, 65

See application file for complete search history.

(56) **References Cited**

U.S. PATENT DOCUMENTS

D451,877 S * 12/2001 Lee D12/211

D463,769 S * 10/2002 Chung D12/211

D470,094 S * 2/2003 van Hooydonk D12/211
D474,440 S * 5/2003 Oh D12/211
D480,035 S * 9/2003 Frohlich D12/211
D480,036 S * 9/2003 Laengerer D12/211
D486,111 S * 2/2004 Weidhase D12/211
D496,320 S * 9/2004 Cheng D12/211
D503,919 S * 4/2005 Cahyono D12/211
D506,172 S * 6/2005 Pfeiffer D12/211

* cited by examiner

Primary Examiner—Stacia Cadmus

(74) *Attorney, Agent, or Firm*—Crowell & Moring LLP

(57) **CLAIM**

The ornamental design for a front face of a vehicle wheel, as shown and described.

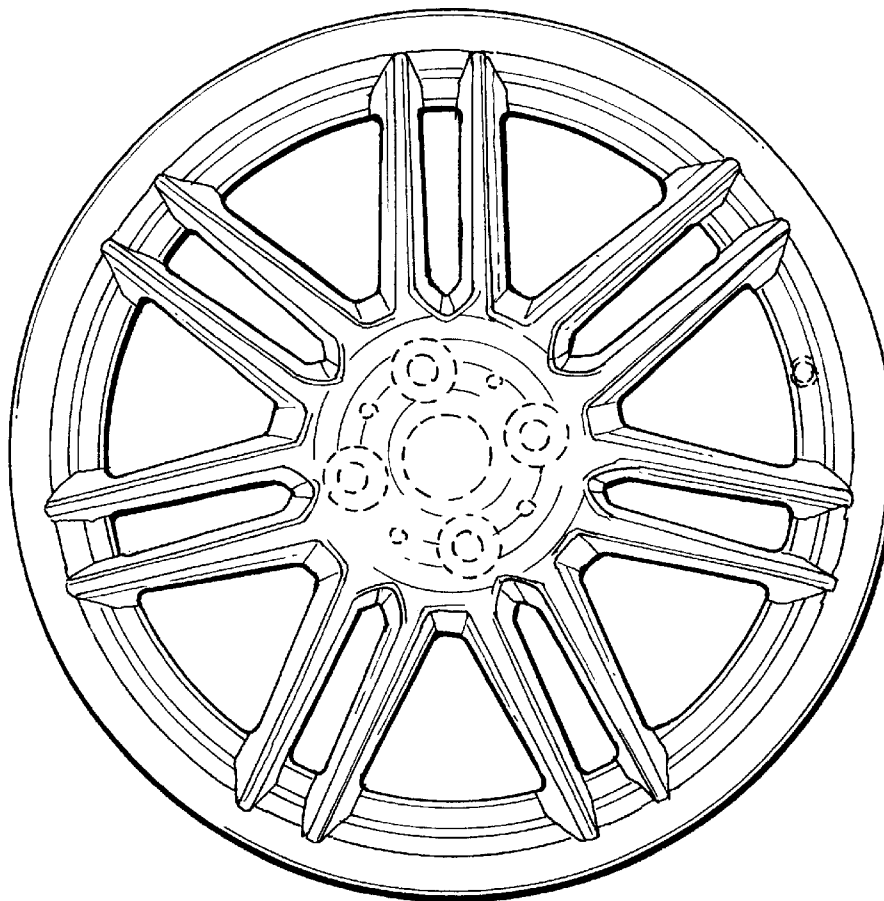
DESCRIPTION

FIG. 1 is a front view of a front face of a vehicle wheel according to my novel design; and,

FIG. 2 is a perspective view of the front face of a vehicle wheel according to my novel design.

The broken lines are for illustrative purposes only and form no part of the claimed design.

1 Claim, 1 Drawing Sheet



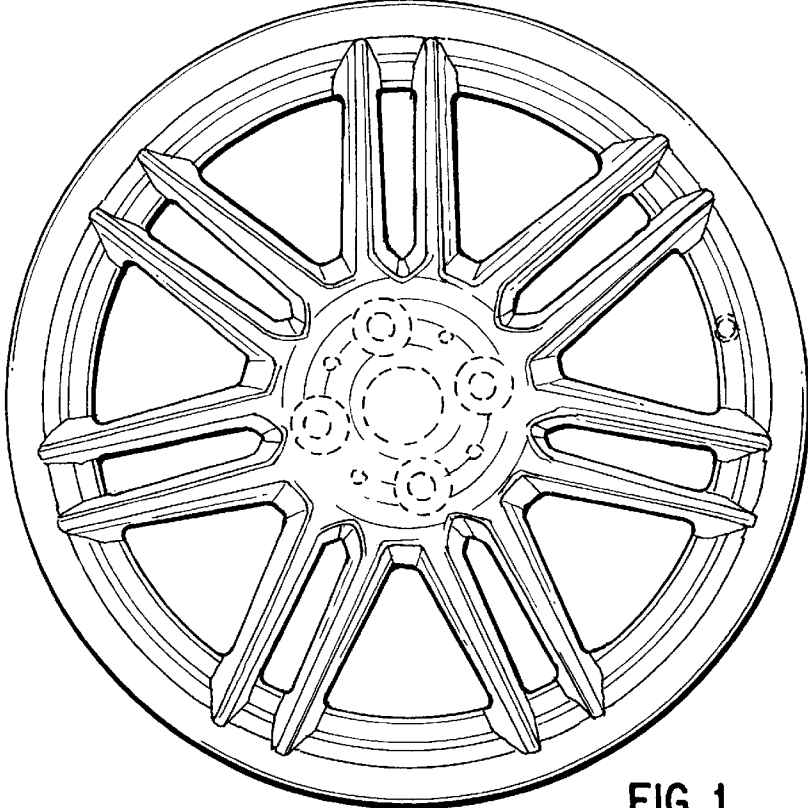


FIG. 1

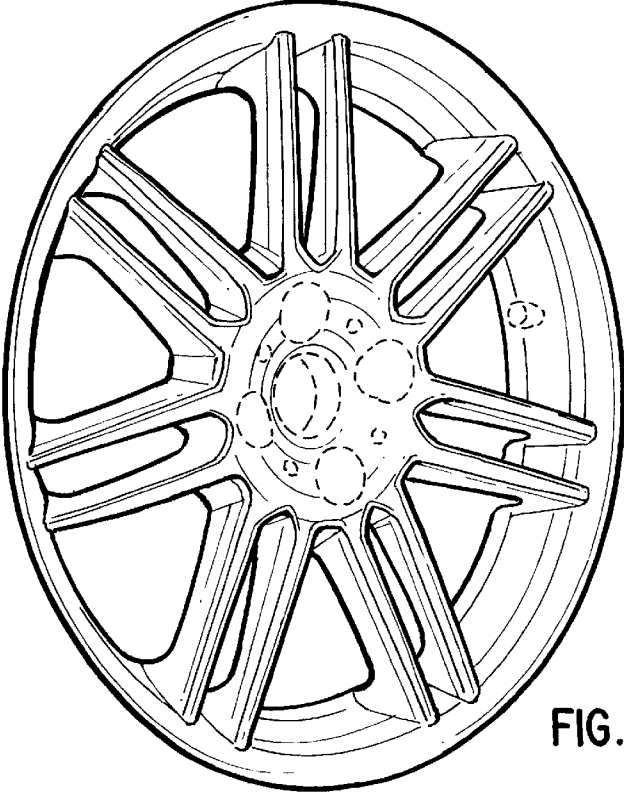


FIG. 2