



(12) **United States Design Patent**
Holstine et al.

(10) **Patent No.:** **US D1,000,211 S**
(45) **Date of Patent:** **** Oct. 3, 2023**

(54) **THIN METAL CUP**

FOREIGN PATENT DOCUMENTS

(71) Applicant: **Silgan Containers LLC**, Woodland Hills, CA (US)

CA 1185544 4/1985
CH 145594 11/2020

(Continued)

(72) Inventors: **Rowdy Holstine**, Hartford, WI (US);
Bambi Biedenbender, Waukesha, WI (US)

OTHER PUBLICATIONS

(73) Assignee: **Silgan Containers LLC**, Woodland Hills, CA (US)

Meway Premium Stainless Steel available in Amazon.com, date first available May 27, 2022, site visited Feb. 10, 2023, URL: <https://www.amazon.com/Amazing-Abby-Iceberg-Shatter-Proof-All-Transparent/dp/B089G5GZRQ/ref=sr_1_15_1_sspa?crid=3I60PKKJHWA6L&keywords=cups+with+layers&qid=1675823016&sprefix> (Year: 2022).*

(Continued)

(**) Term: **15 Years**

(21) Appl. No.: **29/800,066**

(22) Filed: **Jul. 19, 2021**

(51) **LOC (14) Cl.** **07-01**

(52) **U.S. Cl.**
USPC **D7/532**

(58) **Field of Classification Search**

USPC D7/509, 510, 511, 523, 530, 531, 532,
D7/543, 545, 300.1, 591, 597, 602, 619.1,
D7/622, 630, 396.1, 396.2
CPC A47G 19/22; A47G 19/2205; A47G 19/66;
B65D 1/10; B65D 3/06

See application file for complete search history.

Primary Examiner — Andrew Kerr

Assistant Examiner — Courtney Clark-Rasheed

(74) *Attorney, Agent, or Firm* — Reinhart Boerner Van Deuren s.c.

(56) **References Cited**

U.S. PATENT DOCUMENTS

1,053,660 A * 2/1913 Smith B65D 21/086
220/8
1,184,366 A * 5/1916 Miller B65D 1/265
220/8
1,482,425 A * 2/1924 Ziony A45F 3/20
220/8
D110,286 S * 6/1938 Krehbiel A45F 3/20
47/65.5
2,288,602 A 7/1942 Benton
2,808,168 A 10/1957 Majer
2,880,902 A * 4/1959 Owsen A45F 3/20
285/302
3,342,370 A 9/1967 Johnson
3,375,954 A 4/1968 Arvid et al.
D213,173 S 1/1969 Lockhart et al.

(Continued)

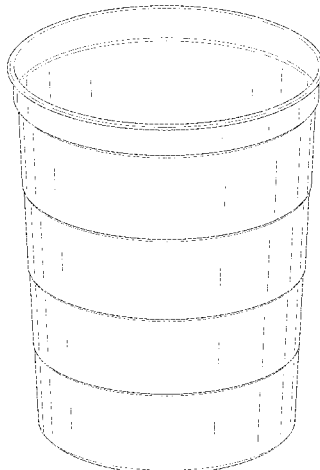
(57) **CLAIM**

We claim the ornamental design for a thin metal cup, as shown and described.

DESCRIPTION

FIG. 1 is a front perspective view of a thin metal cup showing our new design;
FIG. 2 is a rear perspective view thereof;
FIG. 3 is a front view thereof;
FIG. 4 is a rear view thereof;
FIG. 5 is a right side view thereof;
FIG. 6 is a left side view thereof;
FIG. 7 is a top plan view thereof; and,
FIG. 8 is a bottom plan view thereof.
The ornamental design which is claimed is shown in solid lines in the drawings.

1 Claim, 8 Drawing Sheets



(56)

References Cited

U.S. PATENT DOCUMENTS

4,049,122 A 9/1977 Maxwell
 4,051,707 A 10/1977 Valek et al.
 4,082,184 A * 4/1978 Hammer B65D 1/22
 206/520
 4,263,800 A 4/1981 Arfert et al.
 4,483,171 A 11/1984 Franek et al.
 4,503,702 A 3/1985 Bulso, Jr. et al.
 4,782,685 A 11/1988 Buldo, Jr. et al.
 4,914,937 A 4/1990 Bulso, Jr. et al.
 4,967,538 A 11/1990 Leftault, Jr. et al.
 5,626,049 A 5/1997 Saunders
 6,038,910 A 3/2000 McClung
 6,423,357 B1 * 7/2002 Woods A47G 21/18
 426/138
 D531,854 S 11/2006 Bresler
 D533,748 S 12/2006 Bresler
 D537,677 S 3/2007 Bresler
 D570,159 S 6/2008 McGill
 D614,448 S * 4/2010 Cahen D7/532
 7,934,410 B2 5/2011 Myers et al.
 7,954,354 B2 6/2011 Myers et al.
 8,555,692 B2 10/2013 Myers et al.
 D717,605 S 11/2014 Kristinik
 D717,606 S 11/2014 Kristinik
 8,944,045 B2 2/2015 Canela Mercade
 D732,343 S 6/2015 Romley
 D741,659 S * 10/2015 Morris, II D7/532
 D747,925 S 1/2016 Engler et al.
 9,360,233 B2 6/2016 Baker et al.
 D777,519 S * 1/2017 Levy A47G 21/18
 D7/509
 9,700,929 B2 7/2017 Fedusa et al.
 D797,512 S 9/2017 O'Connor
 D897,777 S * 10/2020 Kaiser D7/532
 D903,424 S 12/2020 Scott
 D906,056 S 12/2020 Scott
 10,875,076 B2 12/2020 Scott
 D974,845 S * 1/2023 Whitmore D7/532
 2002/0130170 A1 * 9/2002 Nakashima B65D 3/06
 229/117.12
 2005/0189361 A1 9/2005 Bresler
 2006/0277957 A1 12/2006 Fujishige et al.
 2007/0295051 A1 12/2007 Myers et al.
 2011/0174872 A1 * 7/2011 Hsieh B65D 81/3869
 229/403
 2011/0248040 A1 * 10/2011 McGregor A45C 7/0036
 220/666

2012/0181205 A1 * 7/2012 Alvares B65D 21/022
 206/519
 2012/0193367 A1 8/2012 Baker et al.
 2013/0291612 A1 11/2013 Dick et al.
 2015/0291309 A1 * 10/2015 McGregor B65D 21/086
 220/573.1
 2017/0121076 A1 * 5/2017 Weinstein A47G 19/22
 2019/0112100 A1 4/2019 Scott
 2020/0108433 A1 4/2020 Scott

FOREIGN PATENT DOCUMENTS

CN 112264548 1/2021
 CN 202030657074.9 5/2021
 EM 005827813-0014 1/2019
 EM 008203194-0001 1/2021
 GB 673137 6/1952
 GB 4038300 * 11/2014
 GB 6109969 12/2020
 JP 4761786 8/2011
 KR 2002-0082183 10/2002
 NC 2018/0012602 12/2018
 NC 2021/0006366 5/2021
 NO 086826 1/2021
 RU 127231 8/2021
 SG 30202008675 Y 12/2020
 WO WO2018147916 8/2018
 WO WO2020123291 6/2020

OTHER PUBLICATIONS

Stainless Steel Milkshake Cups, date unknown, site visited Feb. 10, 2023, URL: <<https://laurelleaffarm.com/item-pages/stainless-steel-milkshake-cups-to-fit-vintage-hamilton-beach-malt-mixer-laurel-leaf-farm-item-no-ts051309.htm>> (Year: 2023).
 Guangcailun Stanless Steel in Walmart.com, date unknown, site visited Feb. 10, 2023, URL: <<https://www.walmart.com/ip/Guangcailun-Stainless-Steel-Camping-Folding-Cup-Cup-Collapsible-Travel-Demountable-Camping-Portable-Outdoor-Keychain/508706829?wmlspartner=wlpa&selectedSellerId=18988>> (Year: 2023).
 TheVintageAmerica, "Vintage Folding Plastic Travel Pocket Cup," Etsy, Available at least as early as May 12, 2015, https://www.etsy.com/listing/595101925/vintage-folding-plastic-travel-pocket?ga_order=most_relevant&ga_search_type=all&ga_view_type=gallery&ga_search_query=folding+metal+cup&ref=sr_gallery-1-27&pro=1&sts=1.
 U.S. Appl. No. 29/738,834, filed Jun. 19, 2020, Silgan Containers LLC.

* cited by examiner

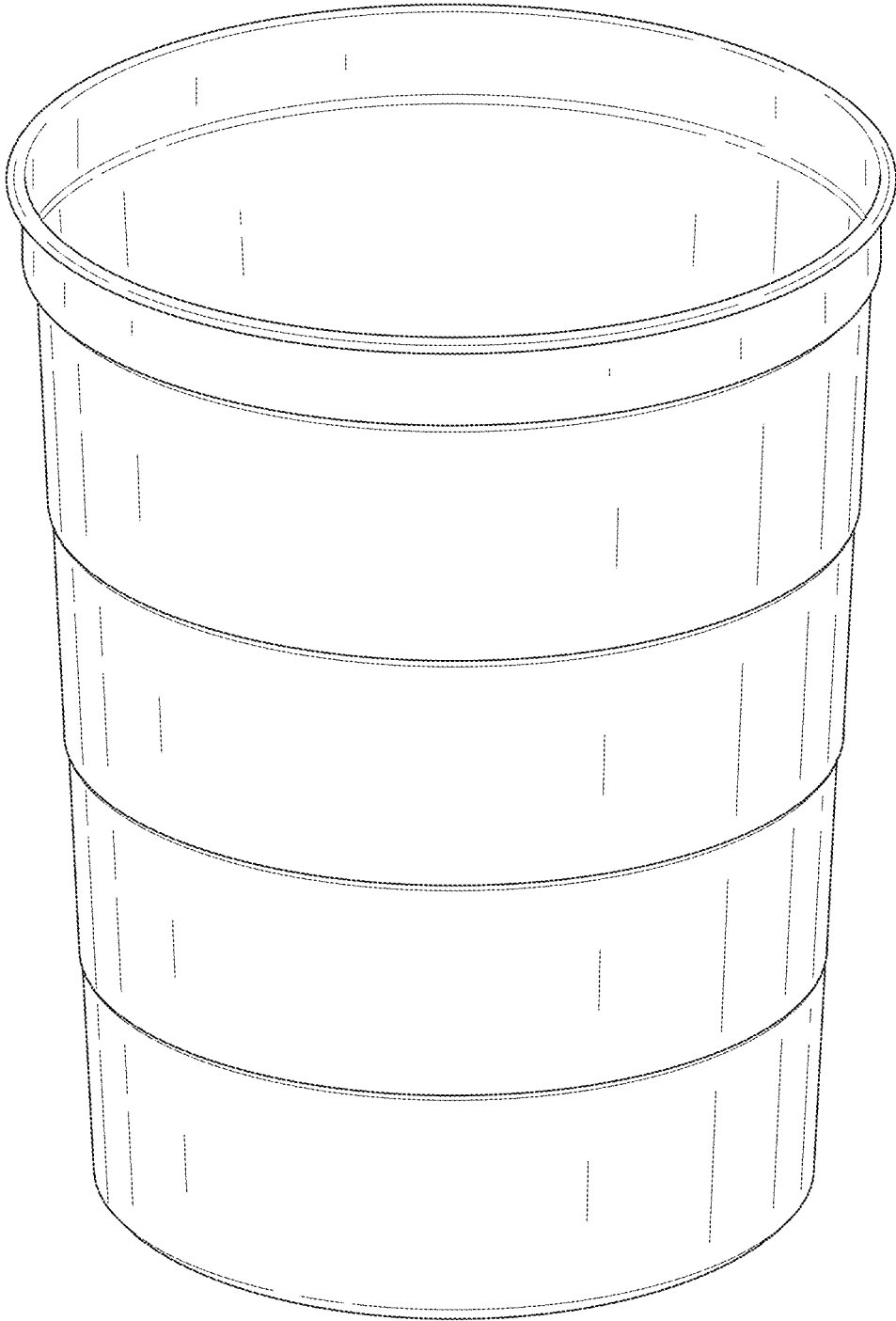


FIG. 1

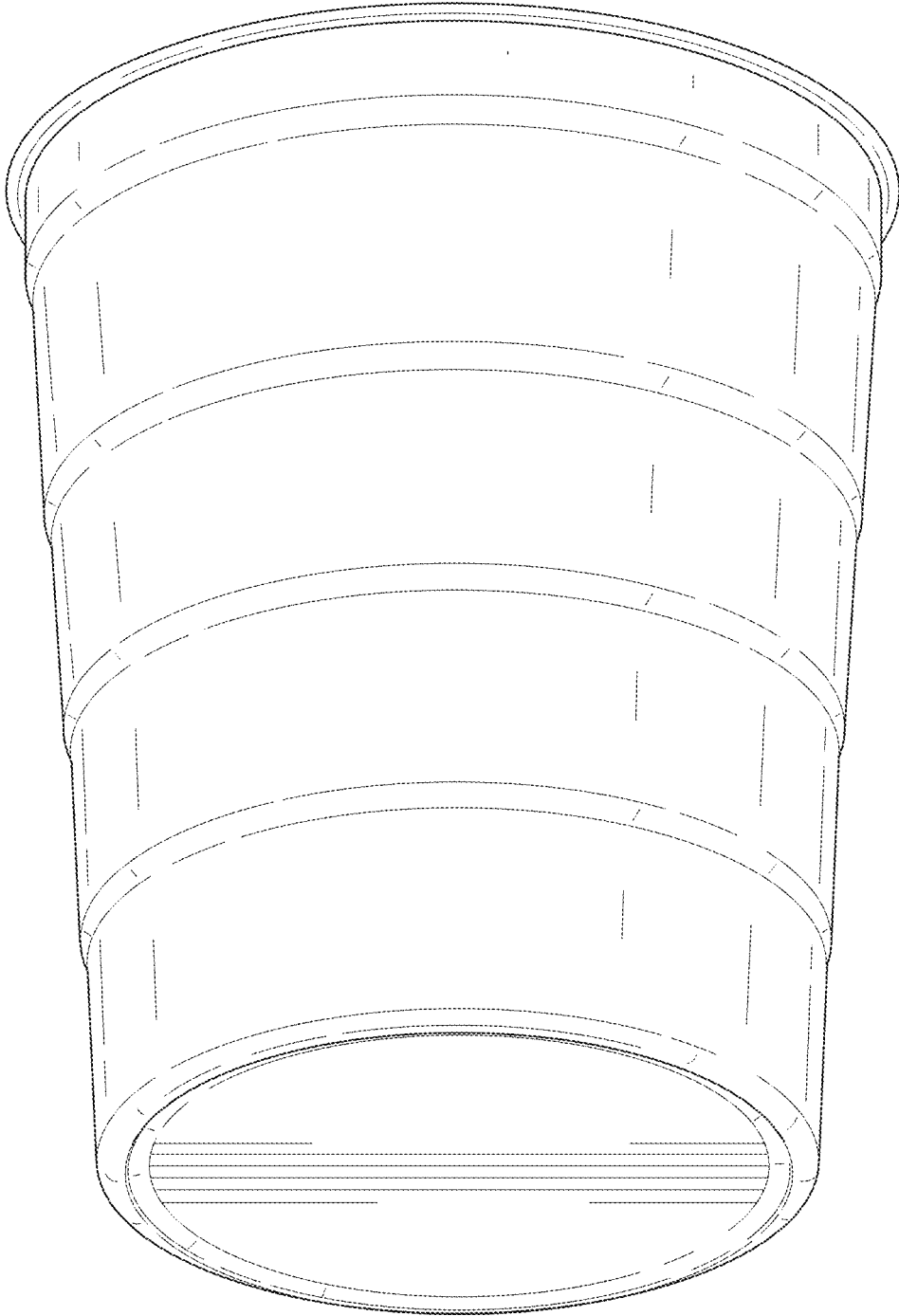


FIG. 2

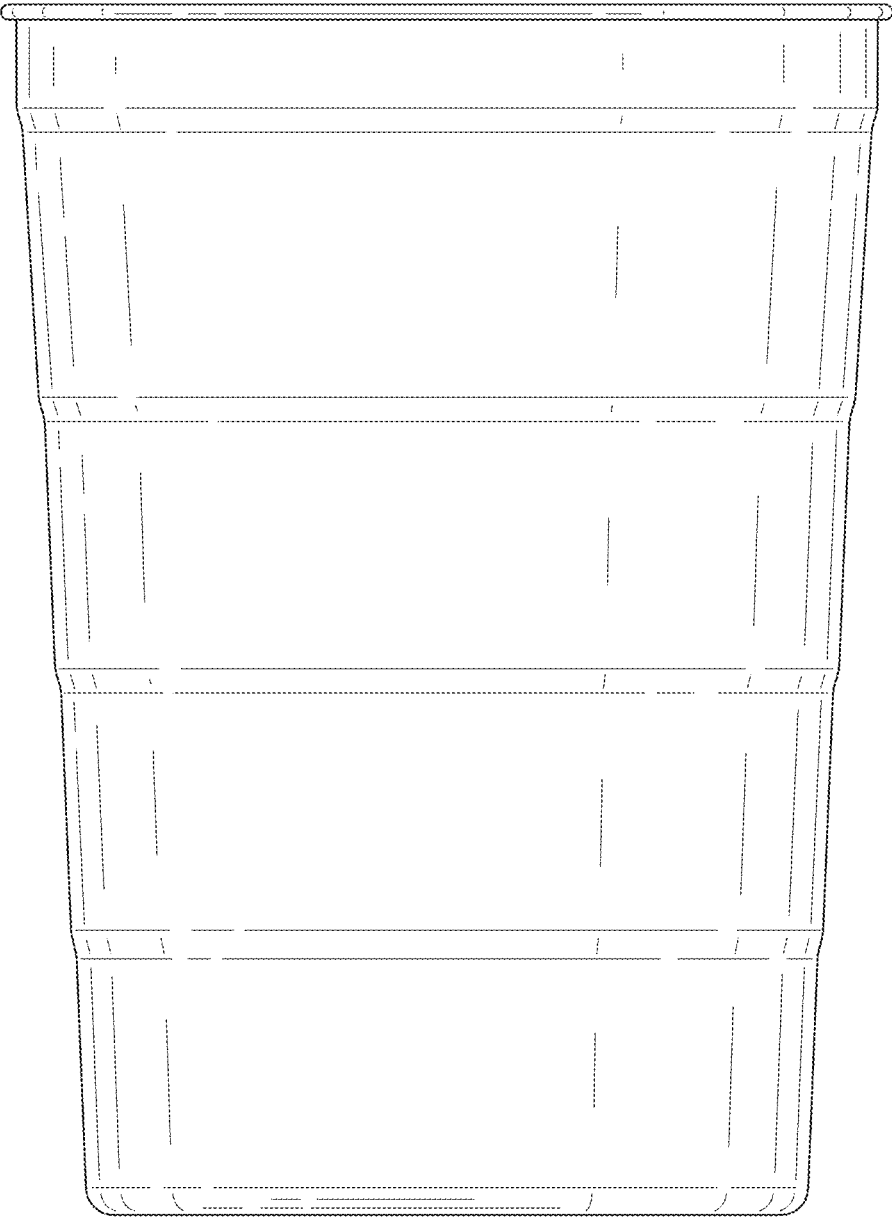


FIG. 3

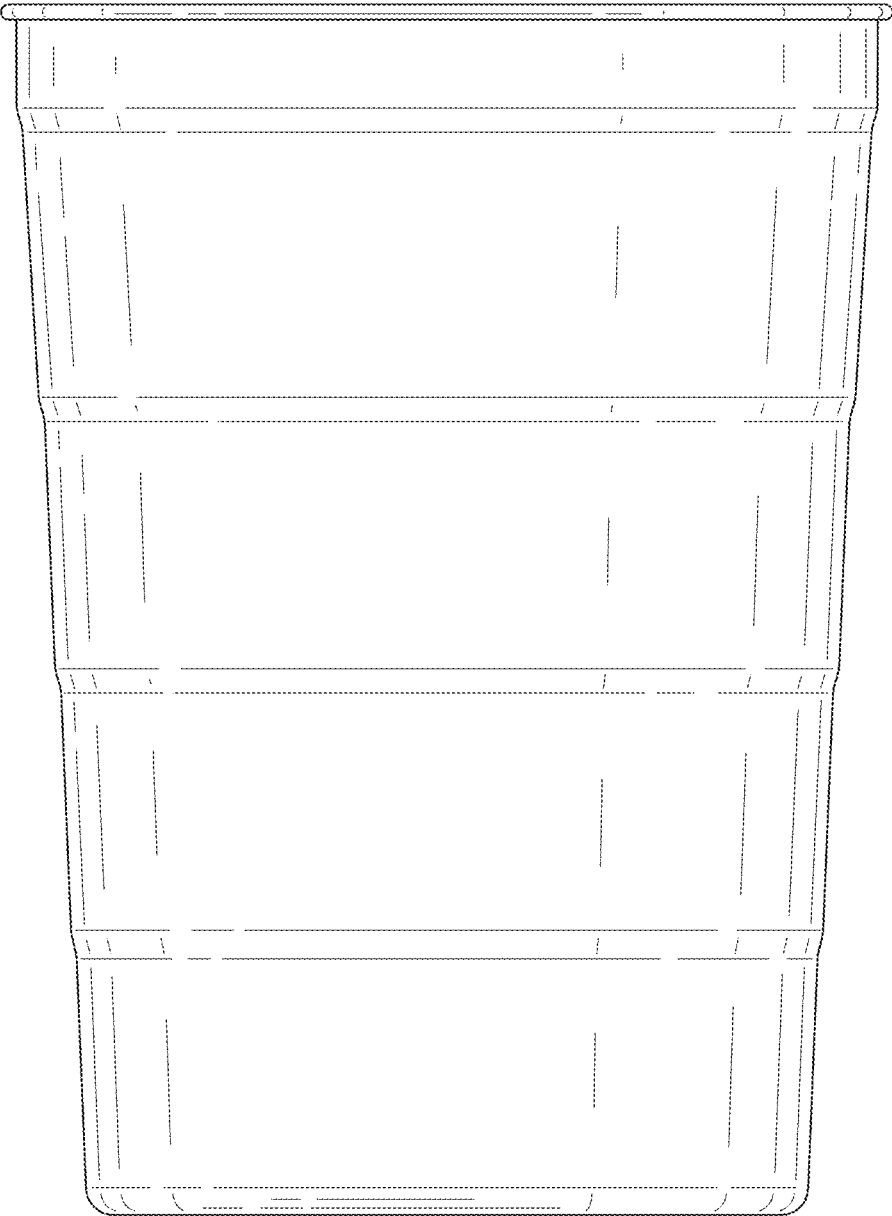


FIG. 4

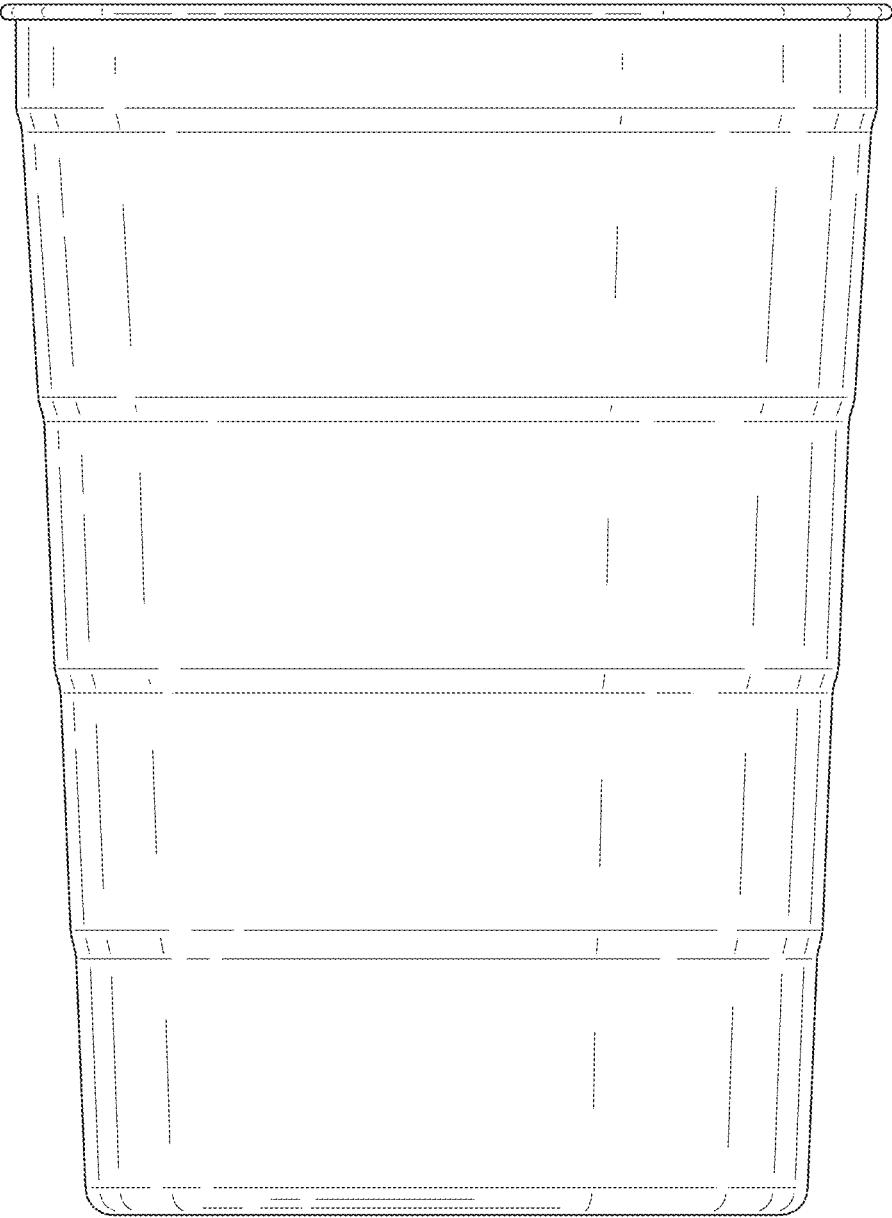


FIG. 5

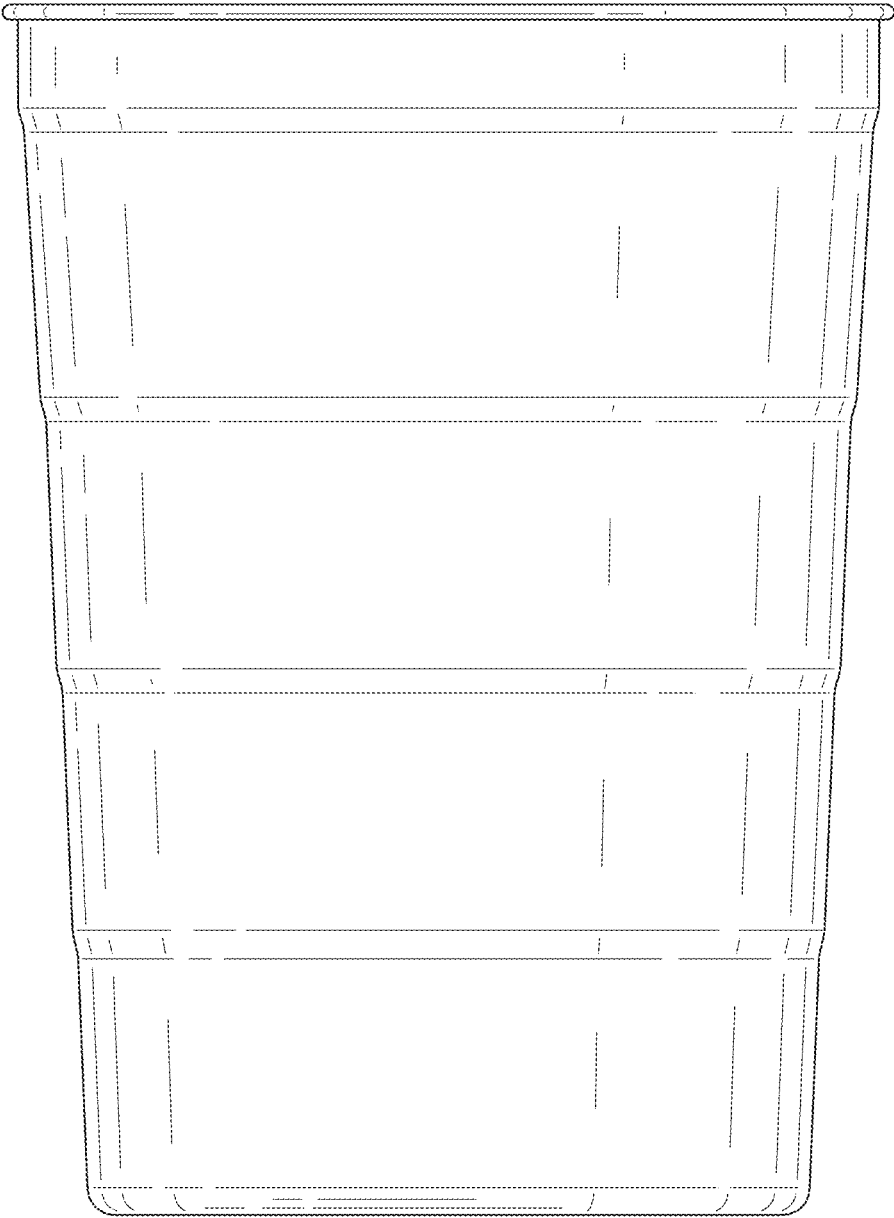


FIG. 6

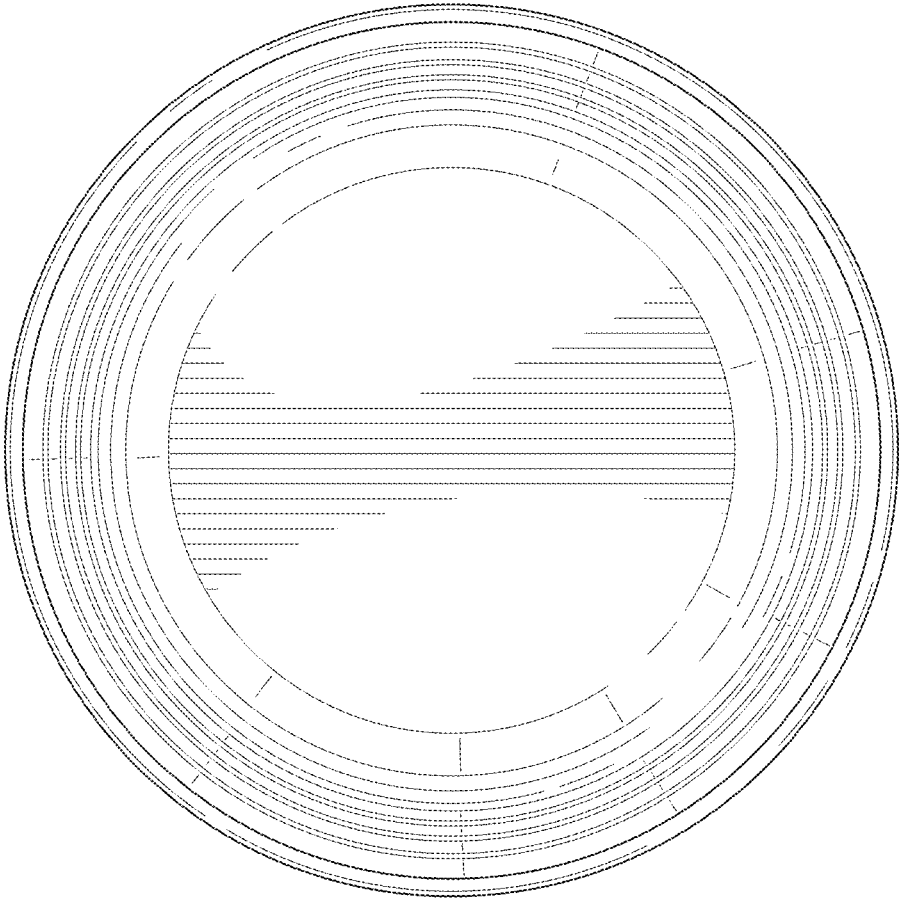


FIG. 7

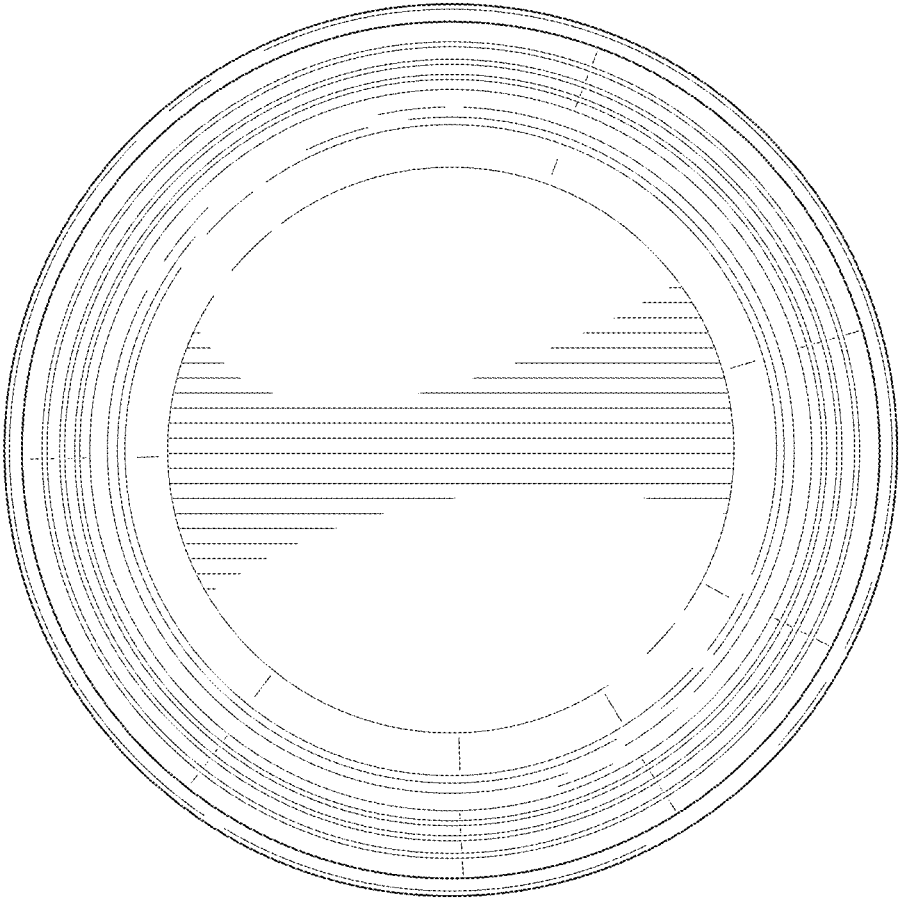


FIG. 8