



US00D383233S

United States Patent [19] Abry

[11] Patent Number: Des. 383,233

[45] Date of Patent: **Sep. 2, 1997

[54] **PORTABLE TORCH**

[75] Inventor: **Emil Abry**, Hosle, Norway

[73] Assignee: **Norsk Energi Design AS**, Oslo, Norway

[**] Term: **14 Years**

[21] Appl. No.: **41,867**

[22] Filed: **Jul. 25, 1995**

[30] **Foreign Application Priority Data**

Jan. 26, 1995 [NO] Norway 950060

[51] **LOC (6) Cl.** **26-02**

[52] **U.S. Cl.** **D26/46**

[58] **Field of Search** D26/37-50; 362/157,
362/158, 159, 160, 161, 168, 171, 172,
173, 178, 179, 180, 183, 184, 186, 197,
198, 201-208

[56] **References Cited**

U.S. PATENT DOCUMENTS

D. 298,572 11/1988 Murrell et al. D26/46

D. 311,066 10/1990 Fenne D26/46
D. 311,067 10/1990 Chabria D26/46
D. 355,040 1/1995 Dalton et al. D26/46
D. 365,647 12/1995 Witte D26/46

Primary Examiner—Marcus A. Jackson
Attorney, Agent, or Firm—Dykema Gossett PLLC

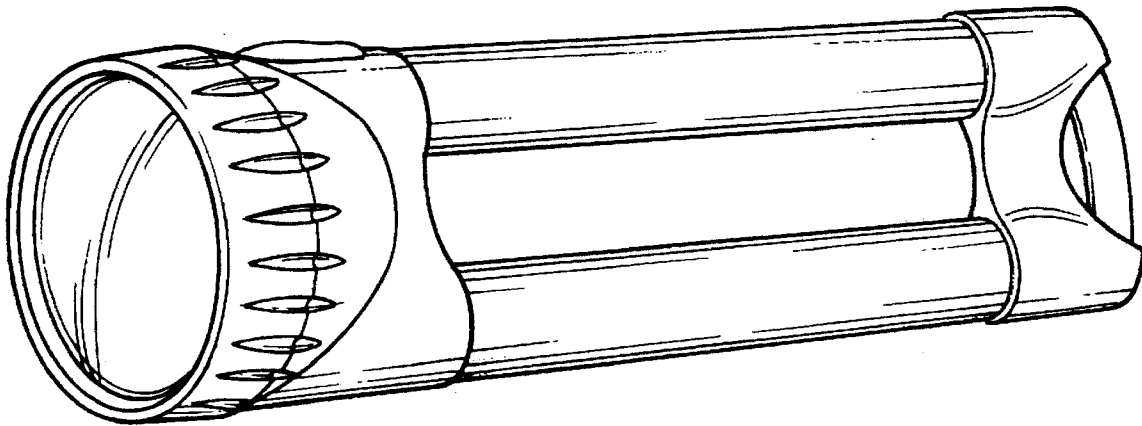
[57] **CLAIM**

The ornamental design for a portable torch, as shown and described.

DESCRIPTION

FIG. 1 is a perspective view of my portable torch design;
FIG. 2 is a left side elevational view thereof;
FIG. 3 is a right side elevational view thereof;
FIG. 4 is a back view thereof;
FIG. 5 is a front view thereof;
FIG. 6 is a top view thereof; and,
FIG. 7 is bottom view thereof.

1 Claim, 2 Drawing Sheets



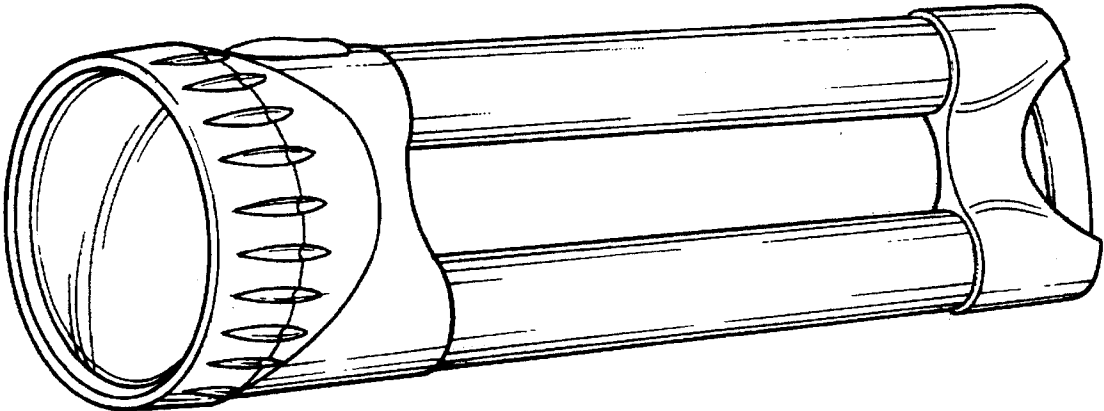


Fig - 1

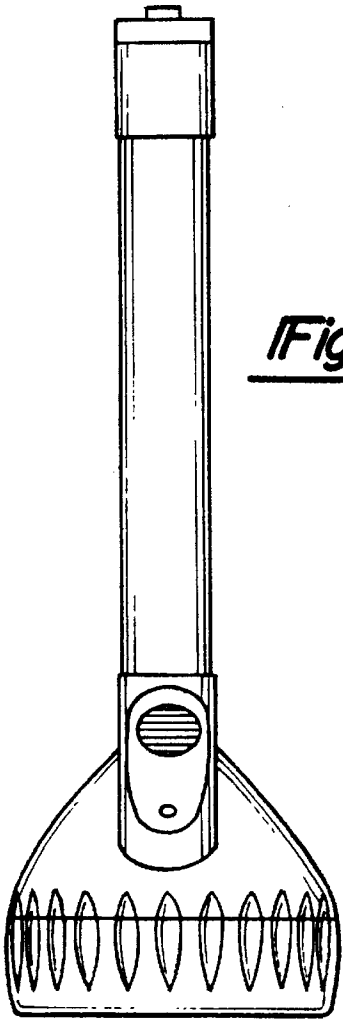


Fig - 2

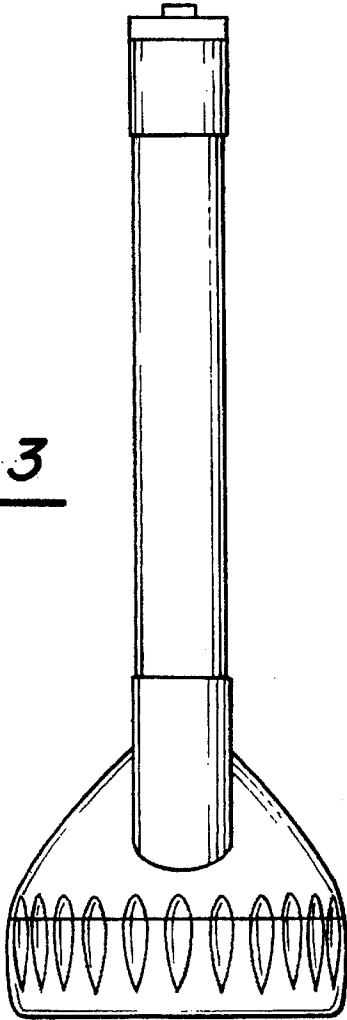


Fig - 3

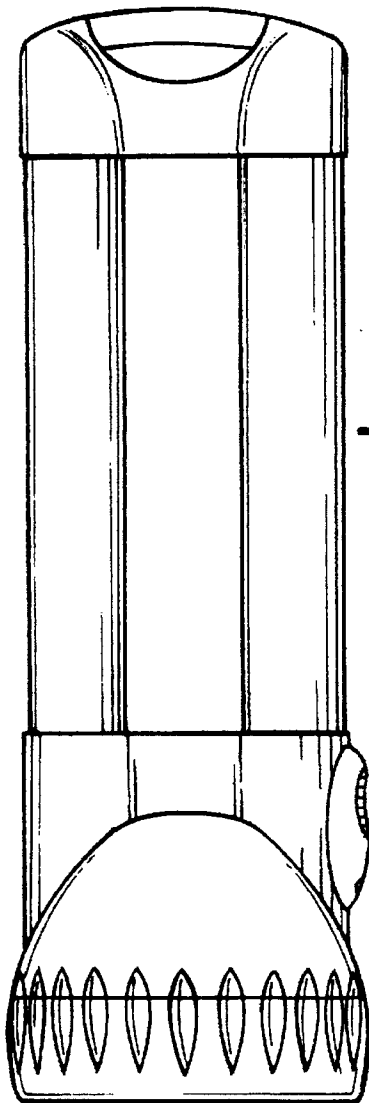


Fig - 4

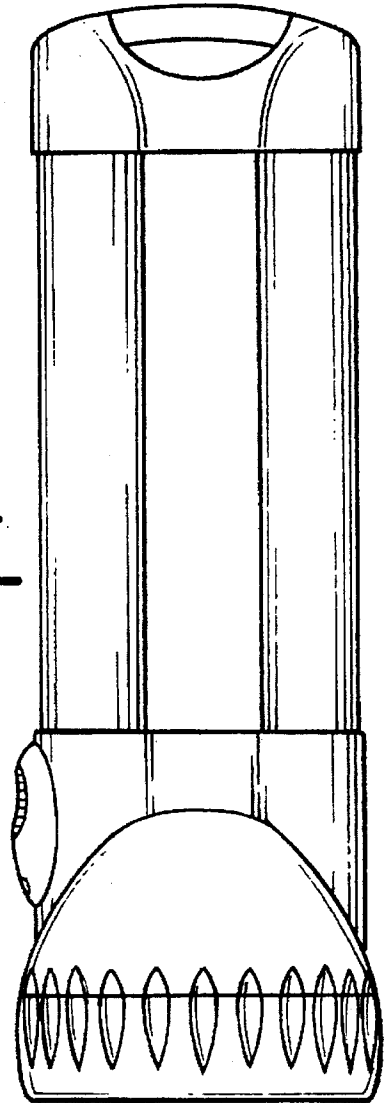


Fig - 5

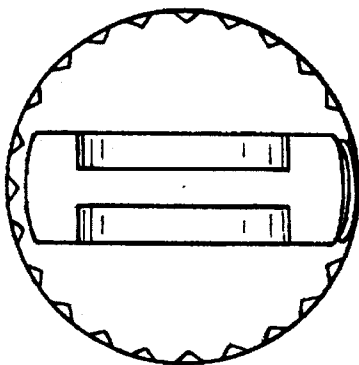


Fig - 6

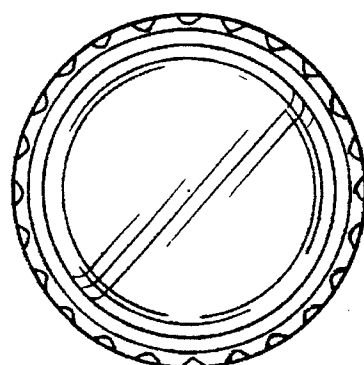


Fig - 7