



US00D885521S

(12) **United States Design Patent**
Hayner et al.

(10) **Patent No.:** **US D885,521 S**
(45) **Date of Patent:** **** May 26, 2020**

(54) **HANDSHOWER**
(71) Applicant: **Kohler Co.**, Kohler, WI (US)
(72) Inventors: **Tory L. Hayner**, Howards Grove, WI (US); **Margaret C. Mazz**, Sheboygan, WI (US)

D608,412 S 1/2010 Barnard
D608,413 S 1/2010 Barnard
D629,868 S 12/2010 Barnard
D656,219 S 3/2012 Su
D680,619 S * 4/2013 Zhadanov D23/223
(Continued)

(73) Assignee: **KOHLER CO.**, Kohler, WI (US)
(**) Term: **15 Years**

OTHER PUBLICATIONS

<https://www.amazon.com/Kohler-22166-CP-Purist-Handshower-Polished/dp/> (Year: 2018).*

(21) Appl. No.: **29/662,210**

Primary Examiner — Manpreet S Matharu
Assistant Examiner — Keith J Wilson
(74) *Attorney, Agent, or Firm* — Foley & Lardner LLP

(22) Filed: **Sep. 4, 2018**

(51) **LOC (12) Cl.** **23-01**
(52) **U.S. Cl.**

(57) **CLAIM**

We claim the ornamental design for a handshower, as shown and described.

USPC **D23/223**; D23/213
(58) **Field of Classification Search**
USPC D23/213, 214, 215, 223, 224, 226, 229, D23/230
CPC A61H 9/0021; A61H 33/00; B05B 1/00; B05B 1/14; B05B 1/185; B05B 1/08; B05B 1/02; B05B 1/26; B05B 12/002; B05B 1/18; B05B 9/01
See application file for complete search history.

DESCRIPTION

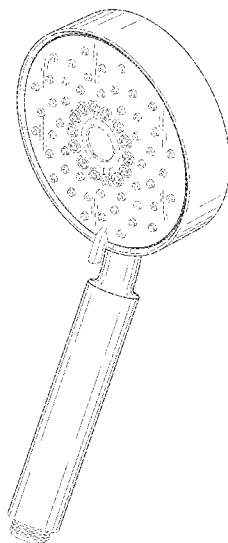
FIG. 1 is a perspective view of an embodiment of the claimed design;
FIG. 2 is a front view of the claimed design shown in FIG. 1;
FIG. 3 is a rear view of the claimed design shown in FIG. 1;
FIG. 4 is a side view of the claimed design shown in FIG. 1;
FIG. 5 is another side view of the claimed design shown in FIG. 1;
FIG. 6 is a top view of the claimed design shown in FIG. 1; and,
FIG. 7 is a bottom view of the claimed design shown in FIG. 1.
The ornamental design that is claimed is shown in the drawings as solid lines and surfaces having surface shading. The broken lines in the drawings are for illustrative purposes only and form no part of the claimed design.

(56) **References Cited**

U.S. PATENT DOCUMENTS

D337,810 S 7/1993 Bengtson
D352,347 S 11/1994 Dannenberg
D487,498 S * 3/2004 Blomstrom D23/213
D501,243 S 1/2005 Blomstrom
D508,730 S * 8/2005 Blomstrom D23/229
D509,282 S 9/2005 Blomstrom
D522,612 S 6/2006 Eilmus
D524,412 S * 7/2006 Blomstrom D23/229
D533,627 S 12/2006 Kirar
D534,987 S 1/2007 Elimus
D534,994 S 1/2007 Tsai
D565,699 S 4/2008 Berberet
D590,913 S 4/2009 Smith
D607,971 S 1/2010 Barnard

1 Claim, 6 Drawing Sheets



(56)

References Cited

U.S. PATENT DOCUMENTS

D681,776	S *	5/2013	Cutler	D23/223	D779,038	S *	2/2017	Hanna	D23/223
D694,357	S *	11/2013	Brodey	D23/213	D779,039	S *	2/2017	Hanna	D23/223
D694,359	S *	11/2013	Schoenherr	D23/213	D801,475	S *	10/2017	Naslund	D23/213
D707,330	S *	6/2014	Schoenherr	D23/223	D803,350	S *	11/2017	Tian	D23/213
D713,003	S *	9/2014	Sandee		D808,499	S *	1/2018	Naslund	D23/213
D713,004	S *	9/2014	Schoenherr	D23/223	D809,094	S *	1/2018	Naslund	D23/213
D713,496	S *	9/2014	Schoenherr	D23/213	D810,233	S *	2/2018	Winter	D23/213
D718,418	S *	11/2014	Georgeson	D23/213	D810,861	S *	2/2018	Weaver	D23/213
D730,493	S *	5/2015	Sehl	D23/261	D811,524	S *	2/2018	Bossini	D23/223
D733,258	S *	6/2015	Sandee	D23/223	D820,388	S *	6/2018	Scum	D23/213
D737,929	S	9/2015	Rexach		D820,949	S *	6/2018	Reinecker	D23/213
D737,930	S	9/2015	Rexach		D821,542	S *	6/2018	Reinecker	D23/213
D737,931	S *	9/2015	Schoenherr	D23/223	D824,485	S *	7/2018	Montoya	D23/213
D737,932	S *	9/2015	Nikles	D23/223	D833,575	S *	11/2018	Soulier	D23/223
D743,507	S *	11/2015	Georgeson	D23/252	D839,384	S *	1/2019	Svendson	D23/213
D746,955	S *	1/2016	Corder	D23/261	D840,503	S *	2/2019	Stein	D23/213
D752,711	S *	3/2016	Georgeson	D23/213	D841,121	S *	2/2019	Kiefer	D23/213
9,387,495	B2 *	7/2016	Schumacher	B05B 1/30	D841,125	S *	2/2019	Lai	D23/223
D778,404	S *	2/2017	Schoenherr	D23/223	D842,429	S *	3/2019	Huang	D23/213
						D842,430	S *	3/2019	Huang	D23/213
						D842,431	S *	3/2019	Cacka	D23/213
						D842,967	S *	3/2019	Farley	D23/213

* cited by examiner

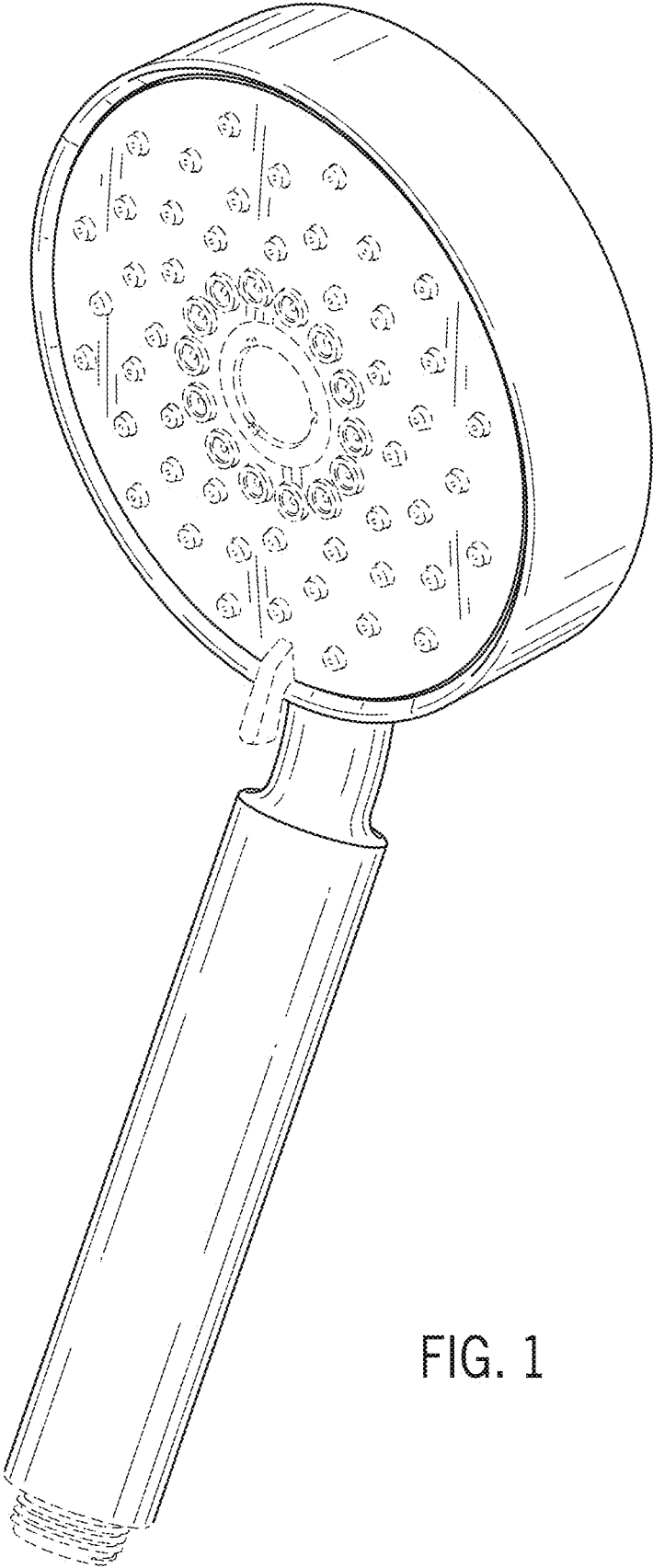


FIG. 1

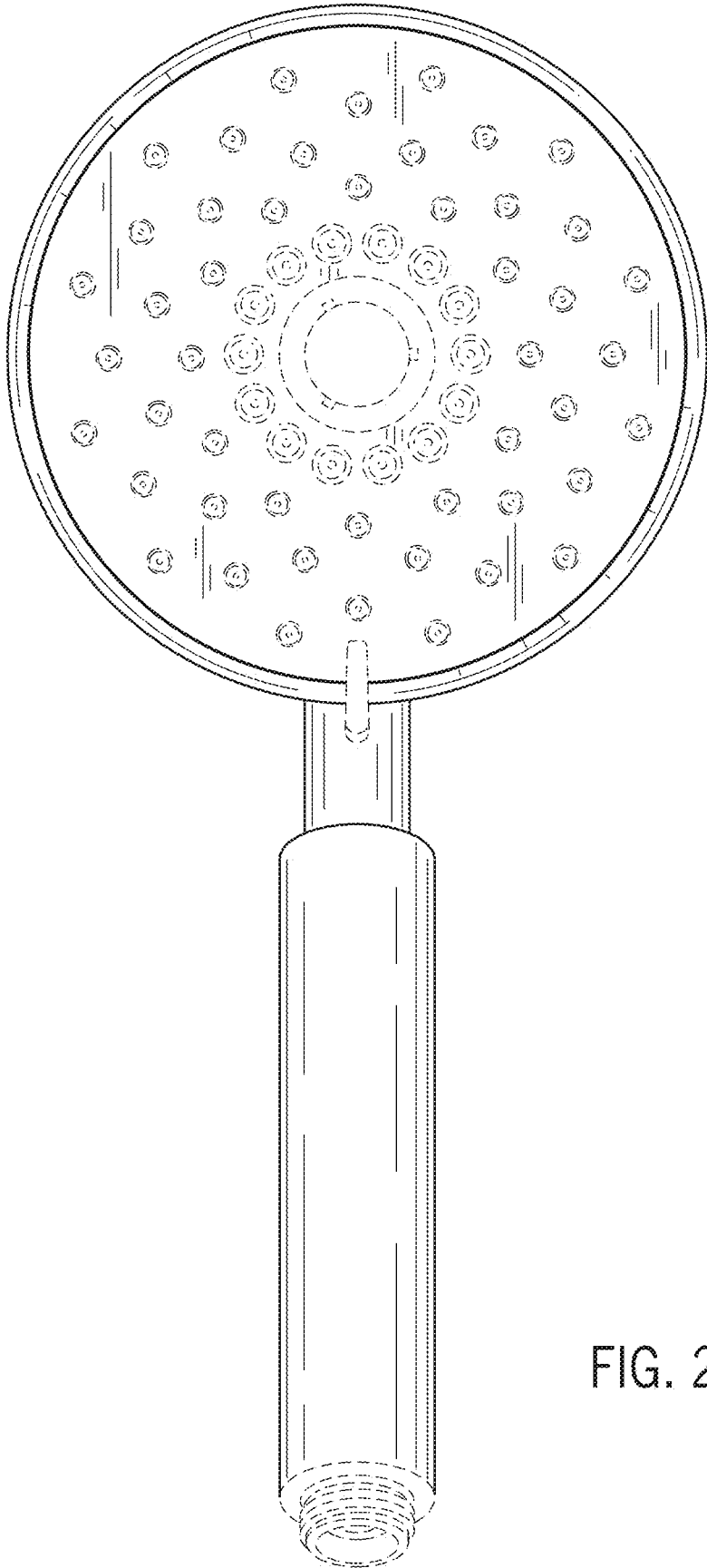


FIG. 2

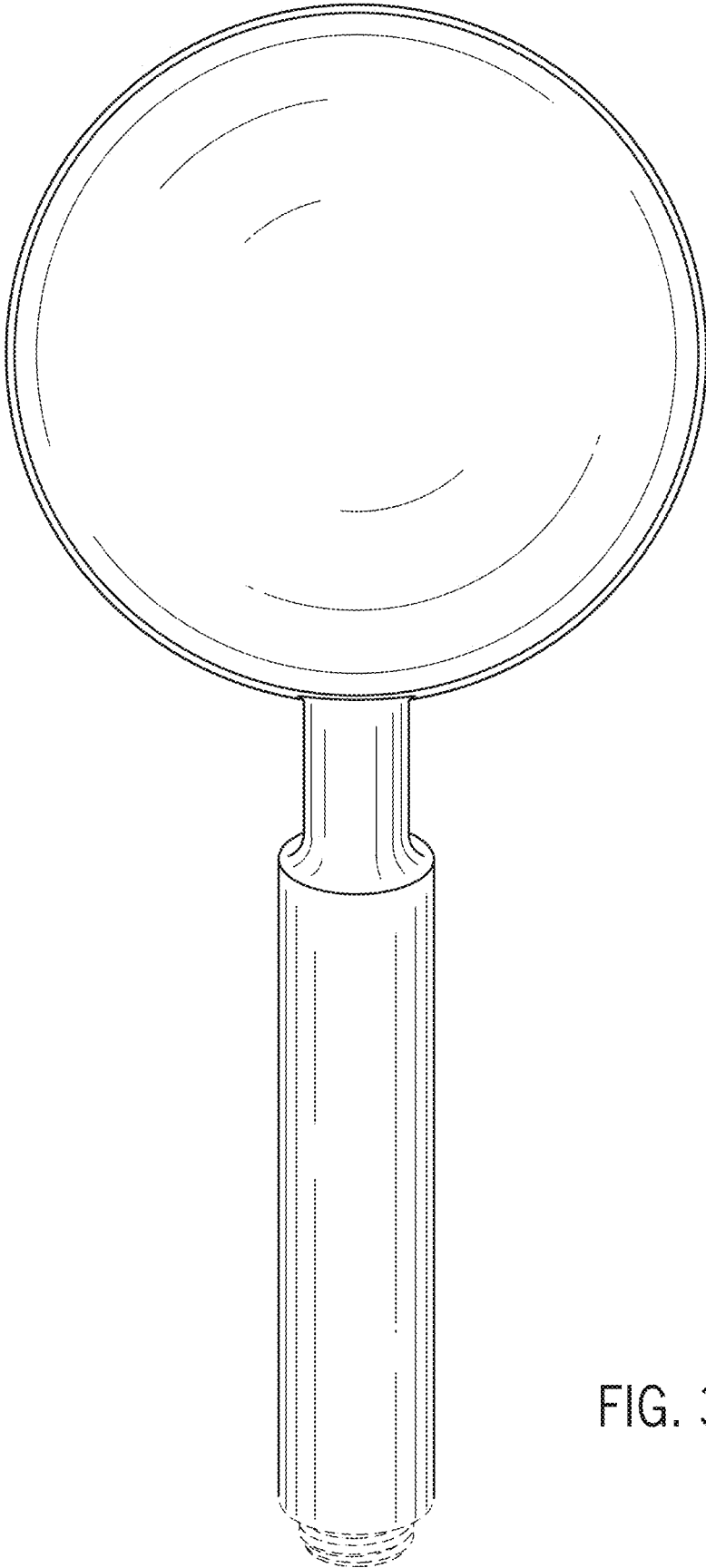


FIG. 3

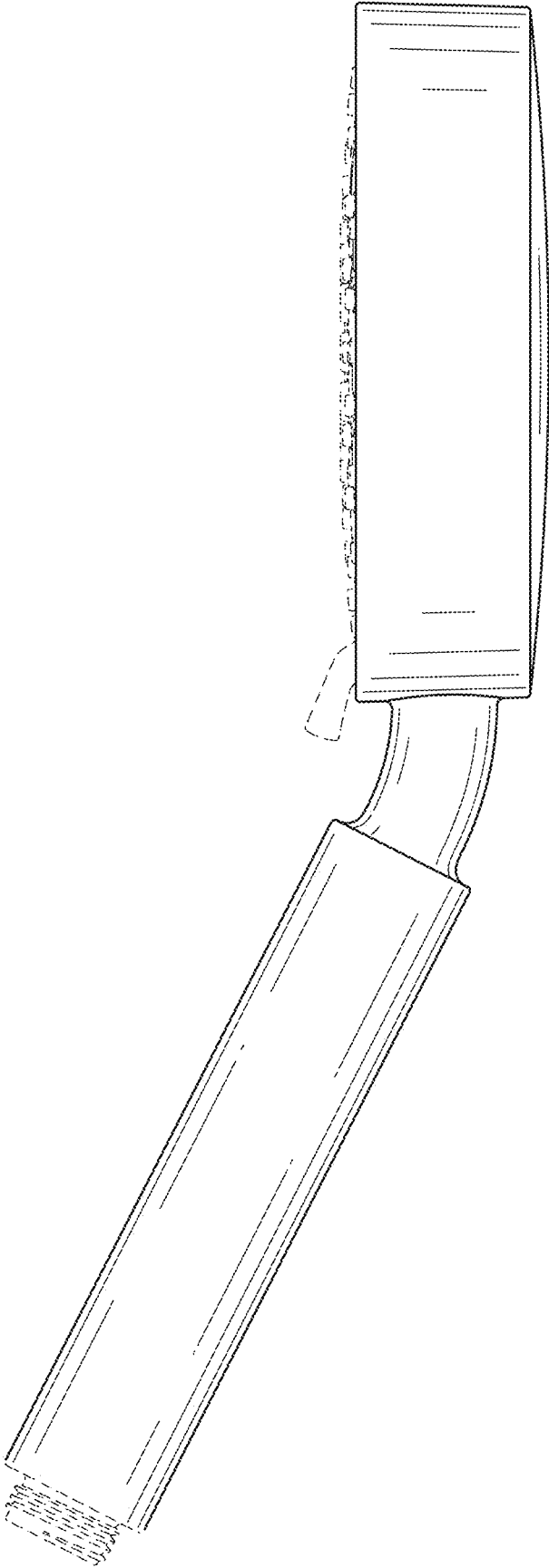


FIG. 4

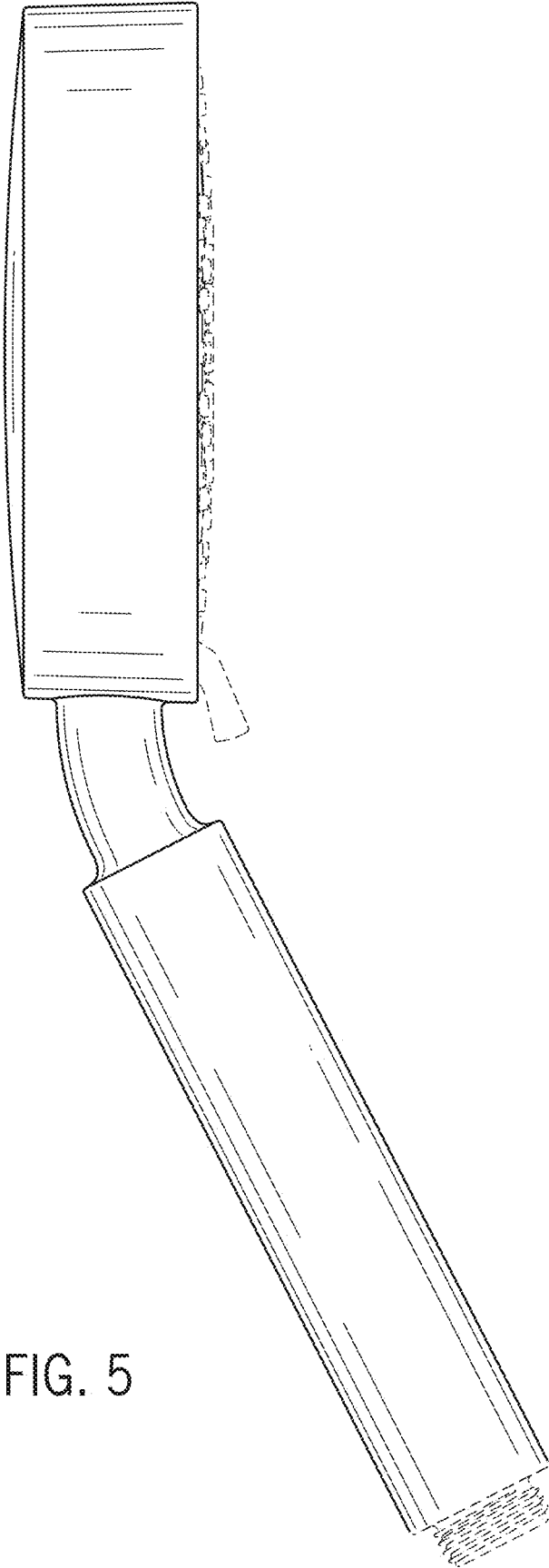


FIG. 5

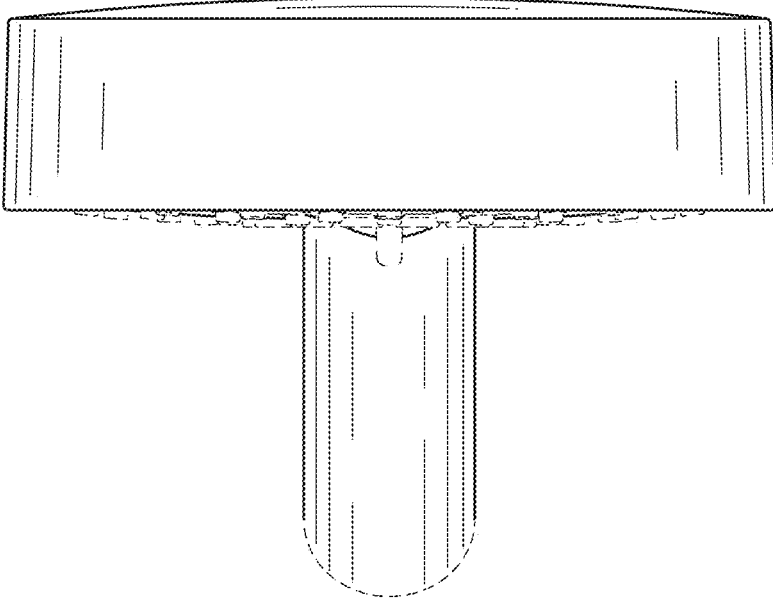


FIG. 6

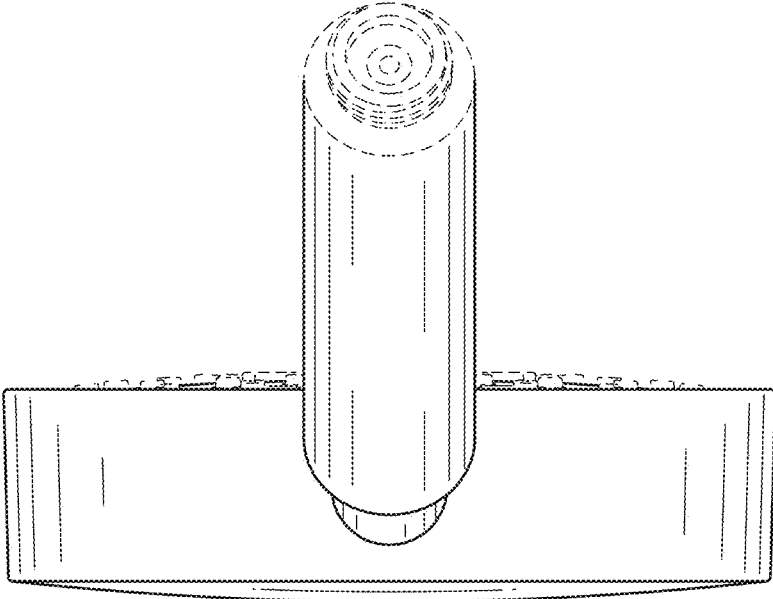


FIG. 7