



US0D1028147S

(12) **United States Design Patent**
Häberli

(10) **Patent No.:** **US D1,028,147 S**

(45) **Date of Patent:** **** May 21, 2024**

(54) **GOLF CLUB HEAD**

(71) Applicant: **Golfyr AG**, St. Gallen (CH)

(72) Inventor: **Alfredo Häberli**, Zürich (CH)

(73) Assignee: **Golfyr AG**, St. Gallen (CH)

(**) Term: **15 Years**

(21) Appl. No.: **35/516,501**

(22) Filed: **Nov. 11, 2022**

(80) **Hague Agreement Data**

Int. Filing Date: **Nov. 11, 2022**

Int. Reg. No.: **DM/226997**

Int. Reg. Date: **Nov. 11, 2022**

Int. Reg. Pub. Date: **Mar. 3, 2023**

(51) **LOC (14) Cl.** **21-02**

(52) **U.S. Cl.**
USPC **D21/736**

(58) **Field of Classification Search**
USPC D21/736-746, 759
CPC A63B 53/00; A63B 53/04; A63B 53/007;
A63B 53/065; A63B 53/0487; A63B
60/00; A63B 60/46

See application file for complete search history.

(56) **References Cited**

U.S. PATENT DOCUMENTS

D277,692	S	*	2/1985	MacDougall	D21/745
D297,040	S	*	8/1988	Shong	D21/741
5,324,031	A	*	6/1994	Green	A63B 53/0487 473/340
D360,010	S	*	7/1995	Green	D21/746
5,482,281	A	*	1/1996	Anderson	A63B 53/0487 473/341
D366,919	S	*	2/1996	Jacobs	D21/745
D376,398	S	*	12/1996	Honma	D21/752
D378,688	S	*	4/1997	Cameron	D21/745
D379,645	S	*	6/1997	Cameron	D21/745

D380,029	S	*	6/1997	Anderson	D21/745
D392,355	S	*	3/1998	Ramirez	D21/745
D393,031	S	*	3/1998	Cameron	D21/745
D399,900	S	*	10/1998	Hogan	D21/742
D401,636	S	*	11/1998	Duclos	D21/742
D405,137	S	*	2/1999	Nelson	D21/738
D425,590	S	*	5/2000	Godown	D21/738
D440,267	S	*	4/2001	Stancin	D21/736

(Continued)

FOREIGN PATENT DOCUMENTS

EM	009051782-0007	*	3/2023
EM	009052434-0007	*	3/2023

(Continued)

OTHER PUBLICATIONS

Golfyr ag google search; google.com; Dec. 19, 2023.*
golfyr.com; Dec. 19, 2023.*
Golf putter heard google search; google.com; Dec. 19, 2023.*

Primary Examiner — Mitchell I. Siegel
(74) *Attorney, Agent, or Firm* — Nemphos Braue LLC;
Michael Antone

(57) **CLAIM**

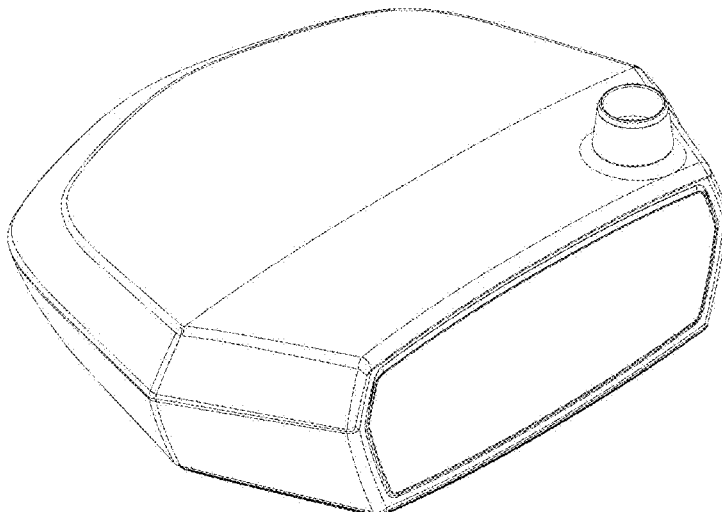
I claim the ornamental design for golf club head, as shown and described herein.

DESCRIPTION

This U.S. design patent application is related to U.S. Design patent application Ser. Nos. 35/516,091, 35/516,443, 35/516,444, 35/516,464, 35/516,468, and 35/516,494 filed on even date herewith.

FIG. 1.1 shows a left side view of the golf club head.
FIG. 1.2 shows a back side view of the golf club head.
FIG. 1.3 shows a top perspective view of the golf club head.
FIG. 1.4 shows a top view of the golf club head.
FIG. 1.5 shows a right side view of the golf club head.
FIG. 1.6 shows a bottom view of the golf club head.
FIG. 1.7 shows a front view of the golf club head.

1 Claim, 7 Drawing Sheets



(56)

References Cited

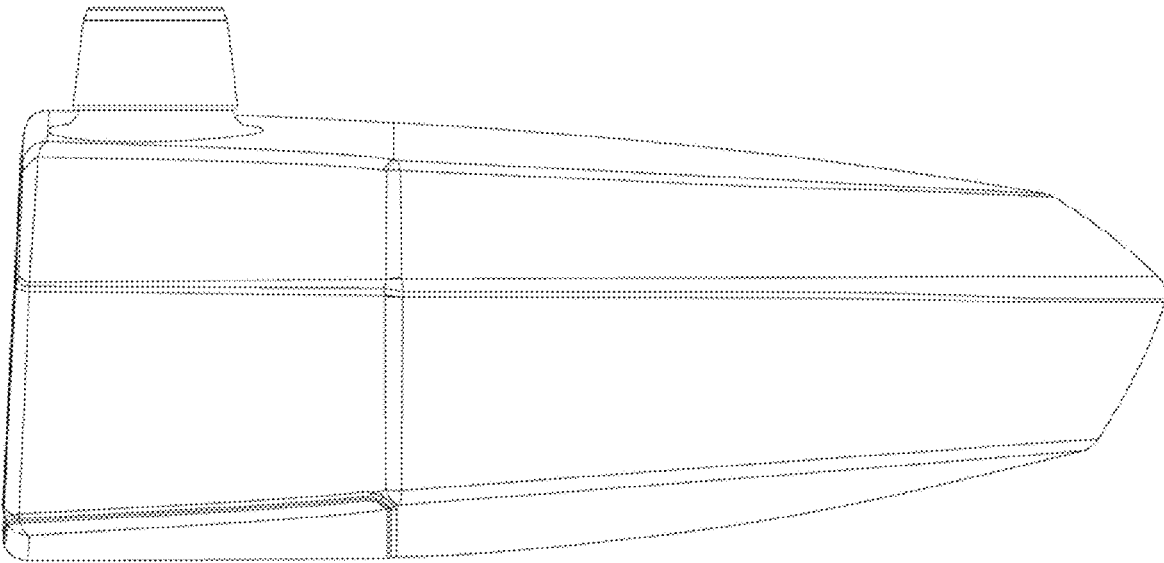
U.S. PATENT DOCUMENTS

D444,194 S * 6/2001 Calabro D21/738
6,241,624 B1 * 6/2001 Zabytko A63B 60/00
473/340
D458,979 S * 6/2002 Hill D21/736
D491,991 S * 6/2004 Friebus D21/738
D498,804 S * 11/2004 Chiasson D21/738
D508,098 S * 8/2005 Chiasson D21/742
D508,276 S * 8/2005 Madore D21/759
D517,144 S * 3/2006 Chiasson D21/742
7,147,574 B2 * 12/2006 Vesligaj A63B 53/04
473/340
D571,420 S * 6/2008 Stites D21/742
D600,294 S * 9/2009 Mills D21/736
D666,260 S * 8/2012 Cynn D21/742
D865,091 S * 10/2019 Rollinson D21/744
D907,728 S * 1/2021 Lanzani D21/736
2023/0415010 A1 * 12/2023 Luo A63B 59/42

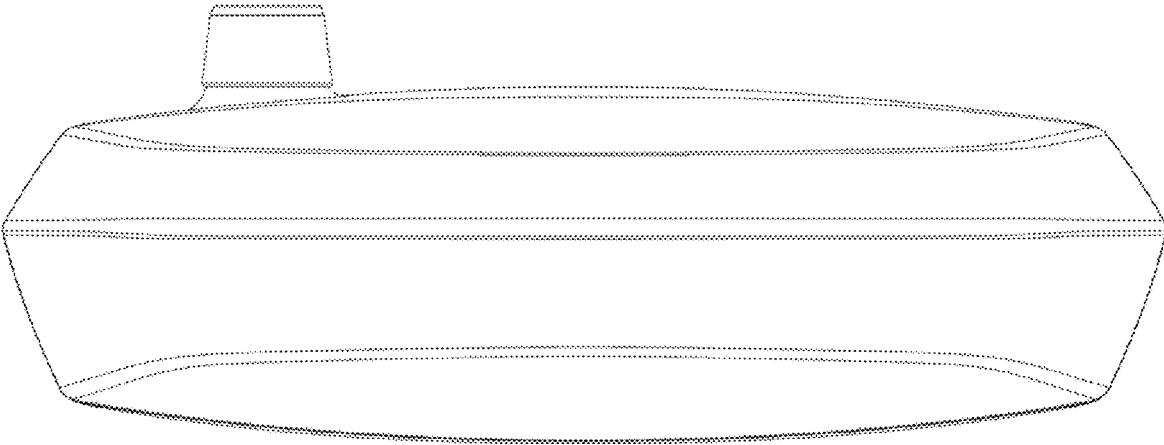
FOREIGN PATENT DOCUMENTS

JP D1756118 * 10/2023
WO D226997-001 * 3/2023

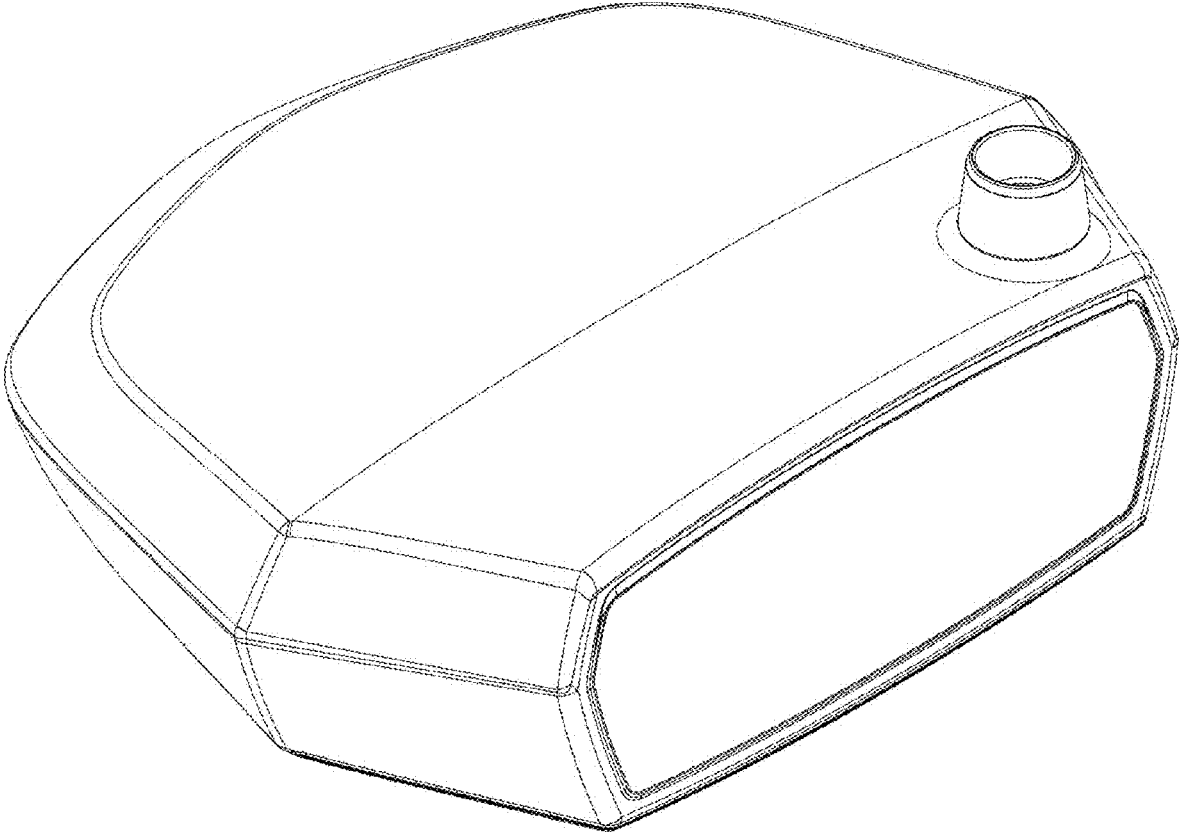
* cited by examiner



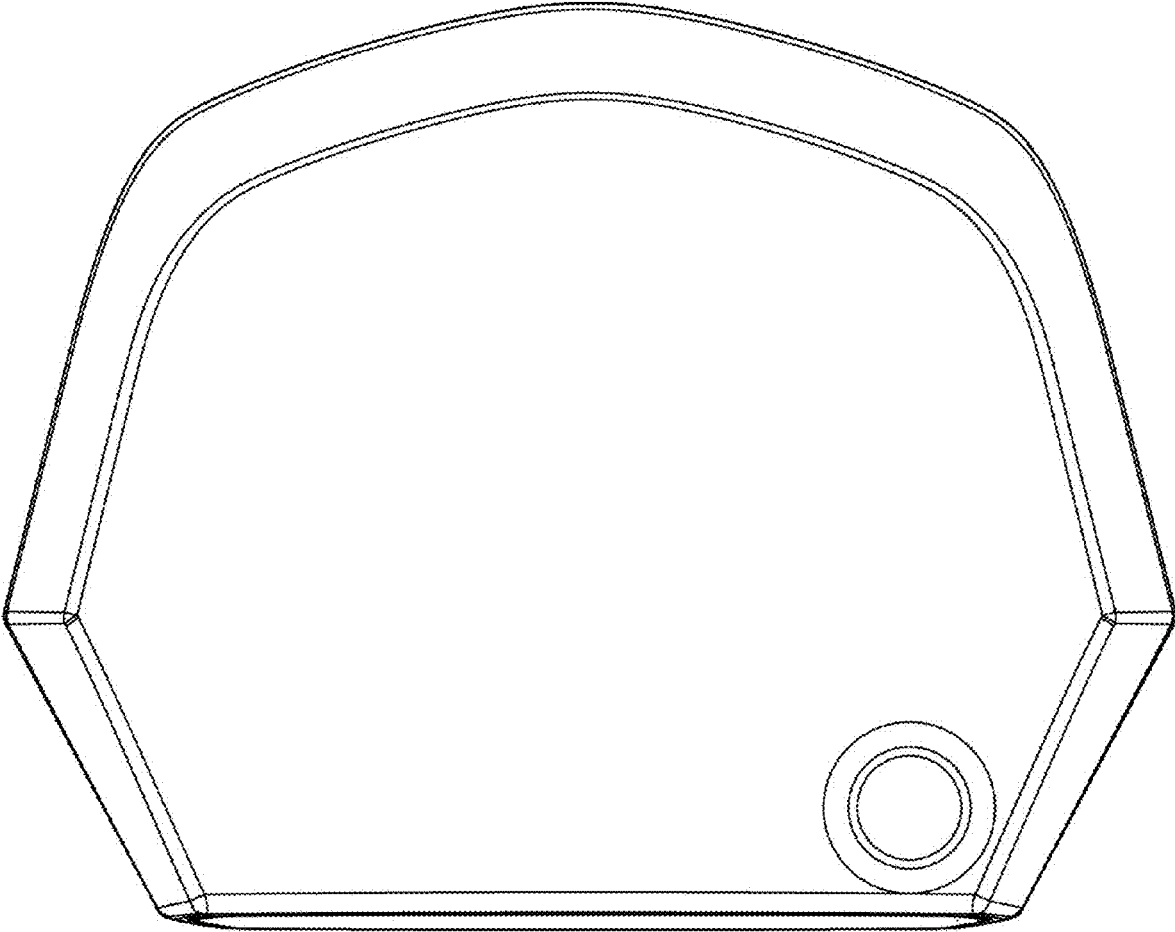
1.1



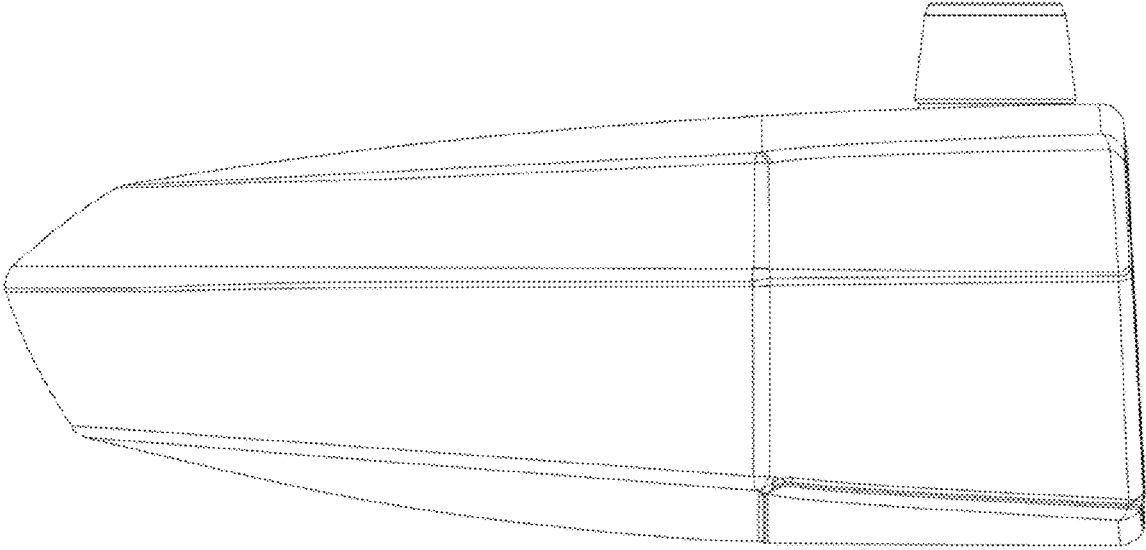
1.2



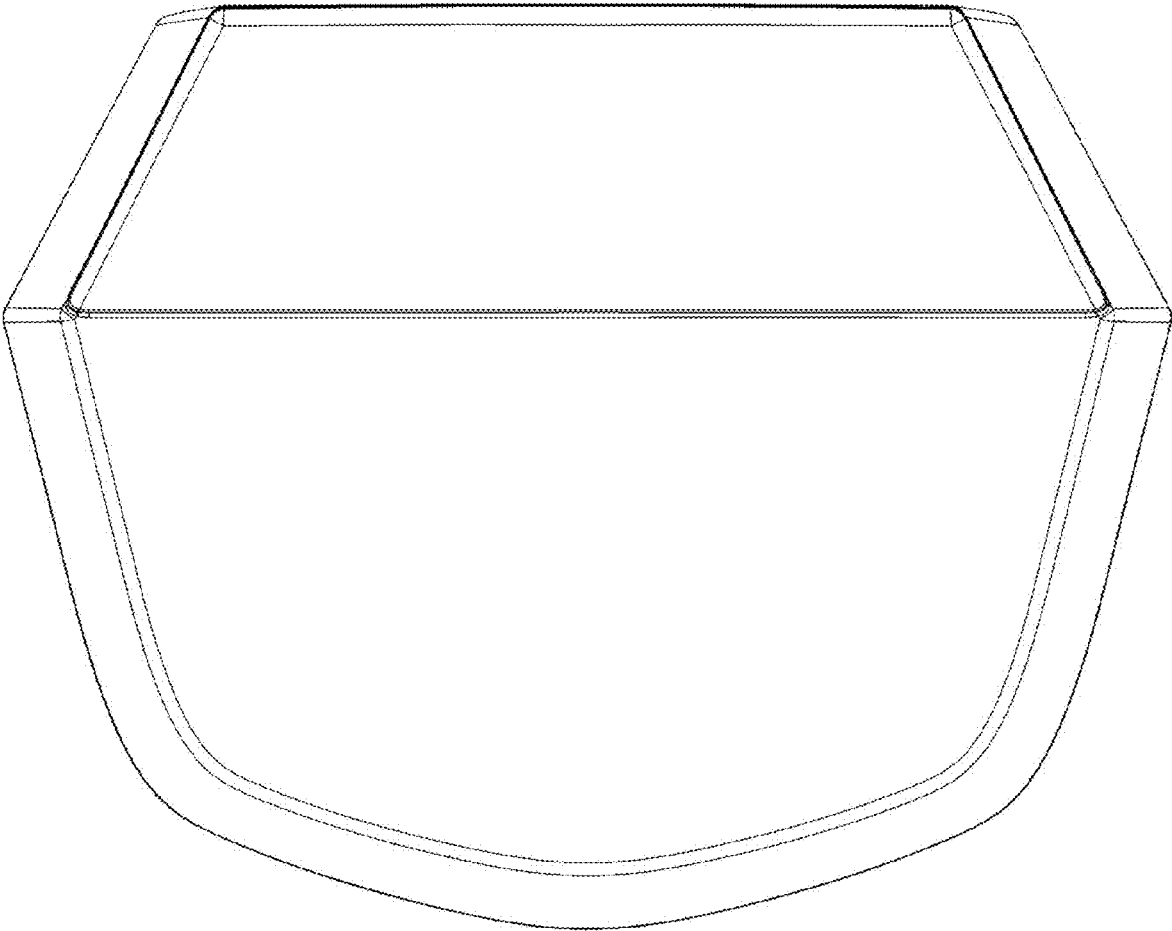
1.3



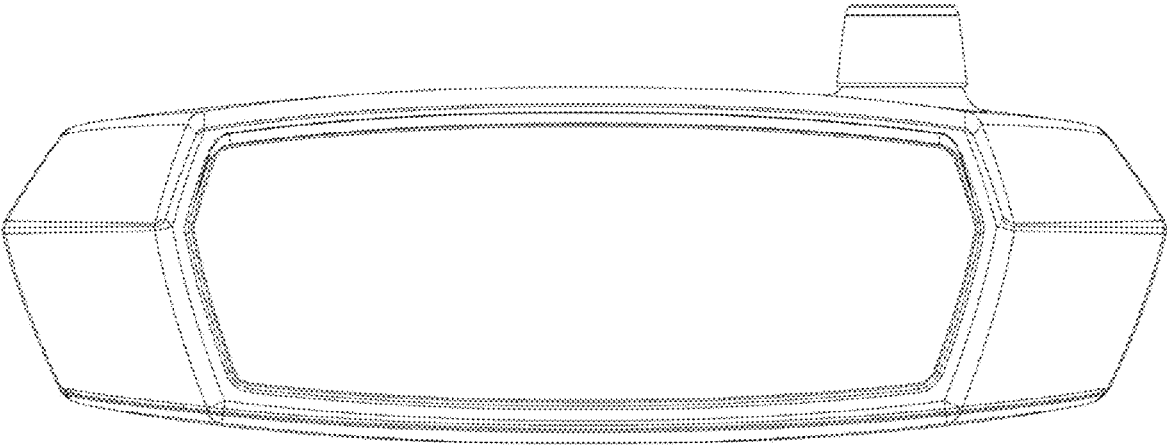
1.4



1.5



1.6



1.7