



US00D540859S

(12) **United States Design Patent**  
**Weiler**

(10) **Patent No.:** **US D540,859 S**

(45) **Date of Patent:** **\*\* Apr. 17, 2007**

(54) **BOOK SUPPORT**

(76) Inventor: **Raywood C. Weiler**, 14149 Calle  
Contesa, Victorville, CA (US) 92392

(\*\*) Term: **14 Years**

(21) Appl. No.: **29/260,378**

(22) Filed: **May 24, 2006**

(51) **LOC (8) Cl.** ..... **06-06**

(52) **U.S. Cl.** ..... **D19/34.1**

(58) **Field of Classification Search** ..... D19/1-34.5;  
D20/43; 108/60-1; 248/441.1; 211/42-3,  
211/183, 184

See application file for complete search history.

(56) **References Cited**

**U.S. PATENT DOCUMENTS**

D60,017 S	*	12/1921	Febrey	.....	D6/462
1,750,576 A	*	3/1930	Cubberley	.....	211/11
1,758,307 A	*	5/1930	Bales	.....	108/61
2,872,046 A	*	2/1959	Polay	.....	211/42
3,517,623 A	*	6/1970	Sobel et al.	.....	108/187
4,073,460 A	*	2/1978	Dale	.....	248/441.1
D262,336 S	*	12/1981	Barnstone	.....	D19/34.1
4,327,838 A	*	5/1982	Cooke	.....	211/184
4,575,037 A	*	3/1986	Hammar	.....	248/441.1
D308,394 S	*	6/1990	Smith	.....	D19/34.1
D331,599 S	*	12/1992	Lushington et al.	.....	D19/32

5,183,163 A	*	2/1993	Slaiken	.....	211/43
5,555,990 A	*	9/1996	Bechstein	.....	211/59.3
6,334,539 B1	*	1/2002	Jajko et al.	.....	211/42
6,439,534 B1	*	8/2002	Hensel	.....	248/447.1
D492,864 S	*	7/2004	Mizusawa	.....	D6/512
2002/0125201 A1	*	9/2002	Lamming	.....	211/43

\* cited by examiner

*Primary Examiner*—Louis S. Zarfes

*Assistant Examiner*—Susan E. Krakower

(74) *Attorney, Agent, or Firm*—Marshall, Gerstein & Borun  
LLP

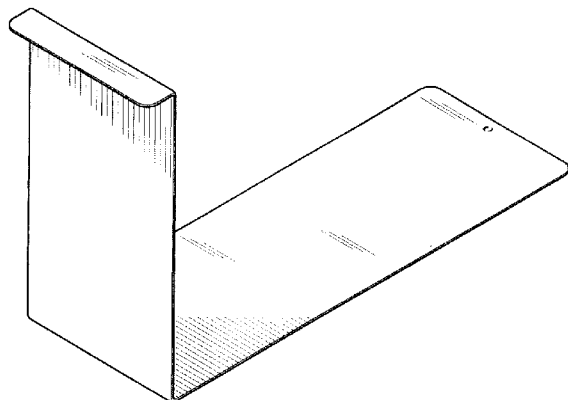
(57) **CLAIM**

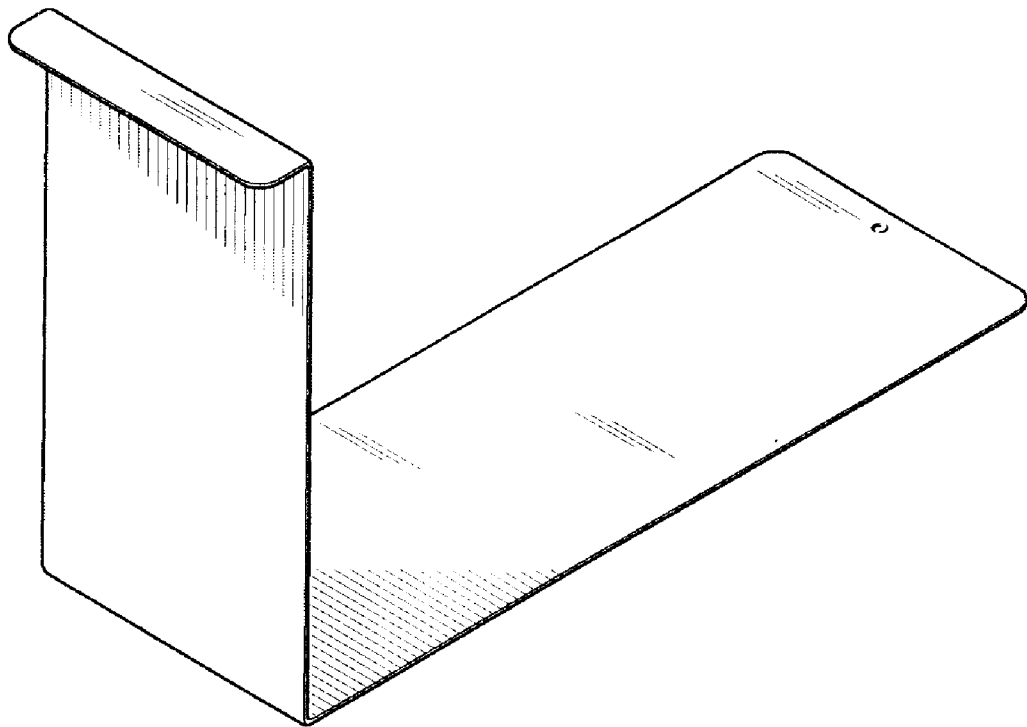
The ornamental design for a book support, as shown and described.

**DESCRIPTION**

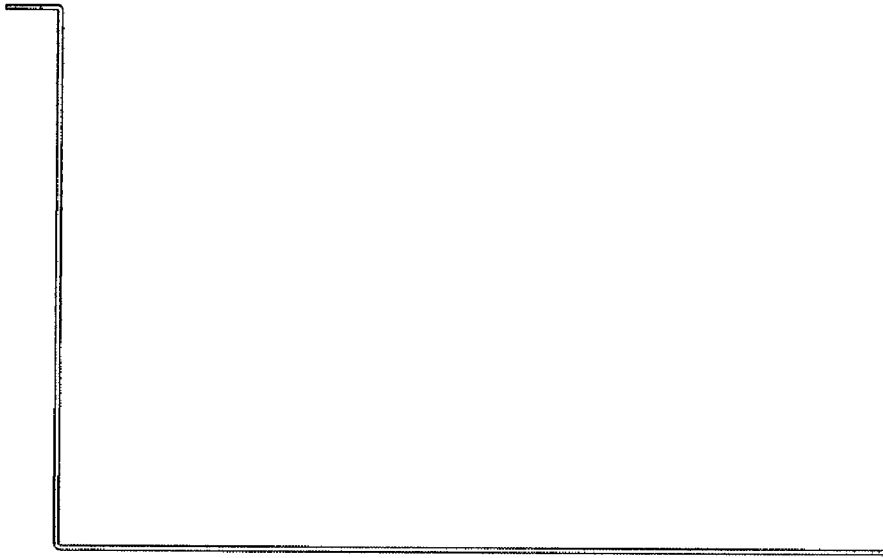
FIG. 1 is a perspective view showing my new design for a book support;  
FIG. 2 is a side view of the book support of FIG. 1, the opposite side view being a mirror image thereof;  
FIG. 3 is a front view of the book support of FIG. 1;  
FIG. 4 is a rear view of the book support of FIG. 1;  
FIG. 5 is a top plan view of the book support of FIG. 1; and,  
FIG. 6 is a bottom plan view of the book support of FIG. 1.  
The dashed lines are for illustrative purposes only and form no part of the claimed design.

**1 Claim, 3 Drawing Sheets**





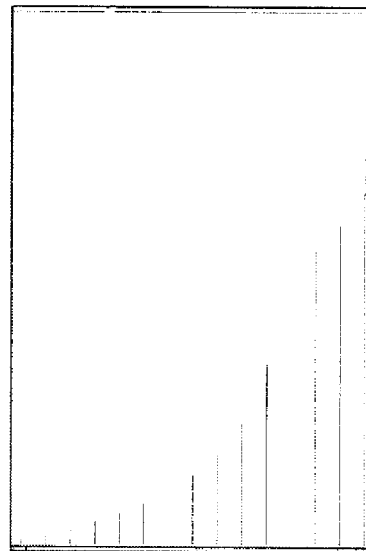
**FIG. 1**



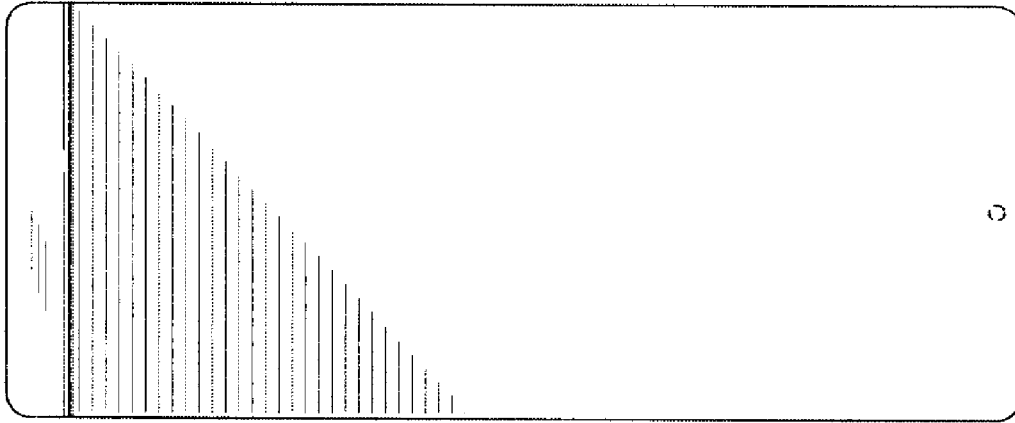
**FIG. 2**



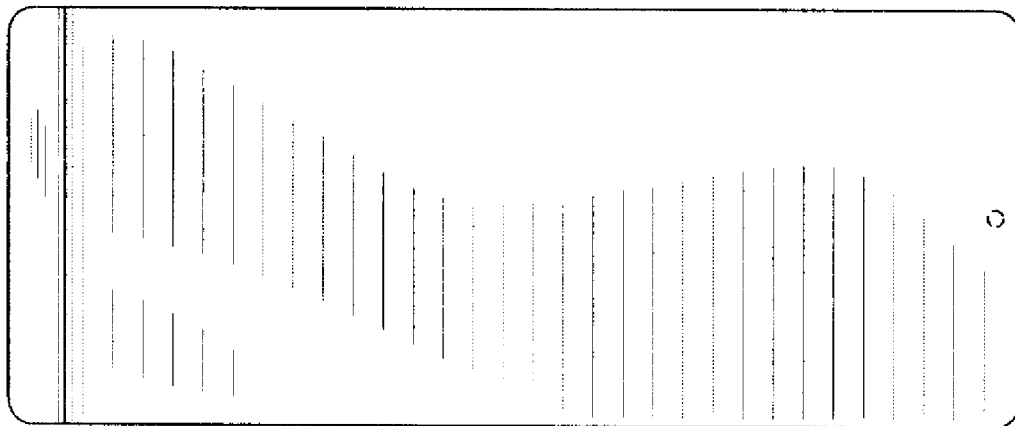
**FIG. 3**



**FIG. 4**



**FIG. 5**



**FIG. 6**