

[54] VIDEO COMMUNICATIONS TERMINAL, INCLUDING HOUSING, TELEPHONE HANDSET, KEYBOARD, CAMERA AND IMAGE SCREEN

4,533,791 8/1985 Read et al. 379/96
4,577,068 3/1986 Kelly et al. D14/130 X

[75] Inventors: Kazuhumi Takada; Kazuhito Takai, both of Tokyo, Japan

FOREIGN PATENT DOCUMENTS

0120477 10/1984 European Pat. Off. 379/53

[73] Assignee: Oki Electric Industry Co., Ltd., Tokyo, Japan

Primary Examiner—Horace B. Fay, Jr.
Attorney, Agent, or Firm—Wenderoth, Lind & Ponack

[**] Term: 14 Years

[57] CLAIM

[21] Appl. No.: 287,084

The ornamental design for a video communications terminal, including housing, telephone handset, keyboard, camera and image screen.

[22] Filed: Dec. 21, 1988

DESCRIPTION

[52] U.S. Cl. D14/144; D14/130

[58] Field of Search D14/130, 129, 133, 142, D14/144; 379/53, 54, 96

FIG. 1 is a front, top and right side perspective view of a video communications terminal, including housing, telephone handset, keyboard camera and image screen showing our new design;

[56] References Cited

U.S. PATENT DOCUMENTS

- D. 243,619 3/1977 Olsson D14/144
- D. 278,812 5/1985 Topp D14/144
- D. 283,614 4/1986 Somaschini D14/130
- D. 289,762 5/1987 Alterio et al. D14/130 X
- D. 294,250 3/1988 Watanabe D14/130
- D. 296,893 7/1988 Taniuchi D14/130
- D. 300,533 4/1989 Oura et al. D14/144 X
- 4,291,198 9/1981 Anderson et al. D14/144 X

FIGS. 2 and 3 are respectively front and rear elevational views thereof;

FIGS. 4 and 5 are respectively right and left side elevational views thereof;

FIGS. 6 and 7 are respectively top and bottom plan views thereof; and

FIG. 8 is a perspective view thereof with the camera member rotated to the front image screen member of the housing.

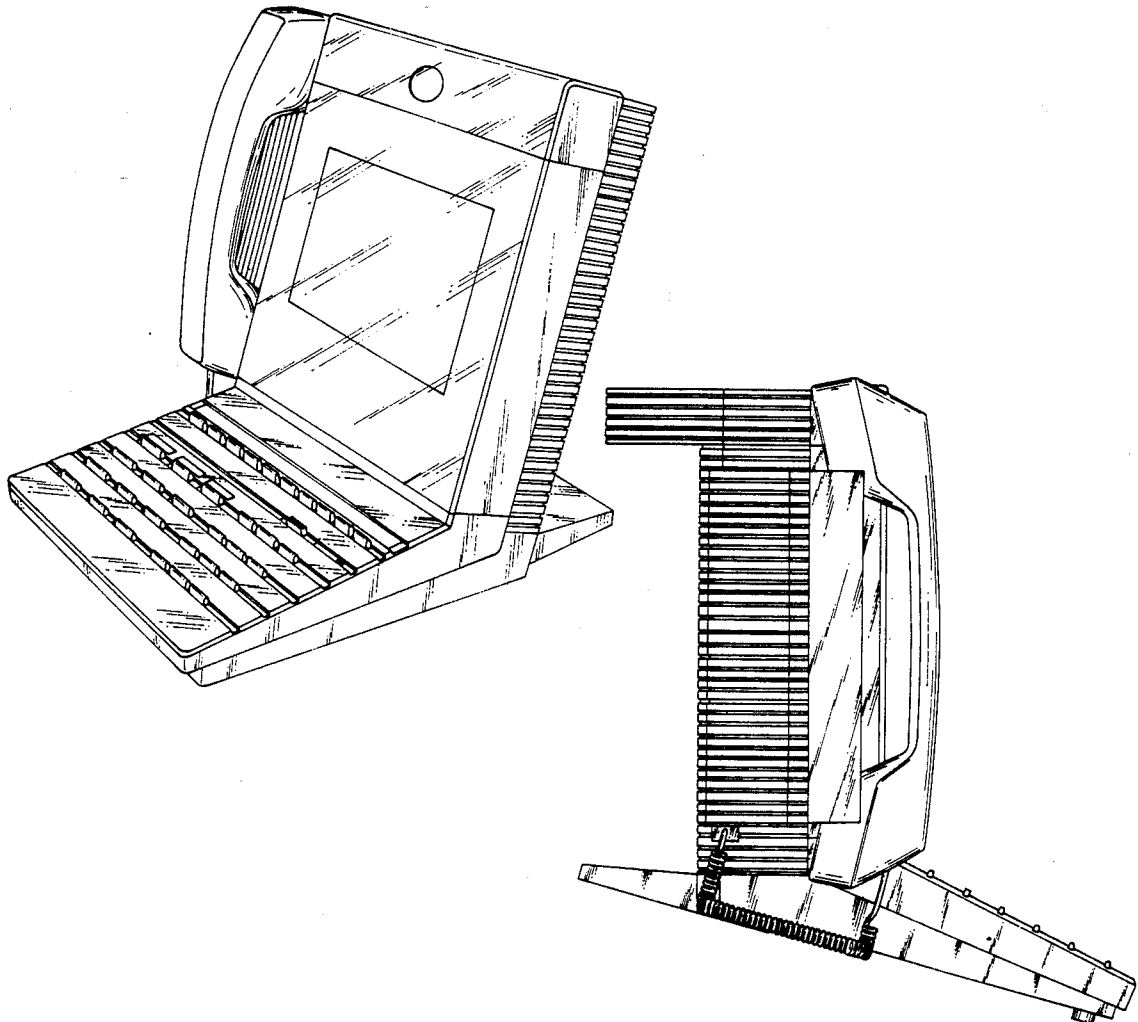


FIG. 1

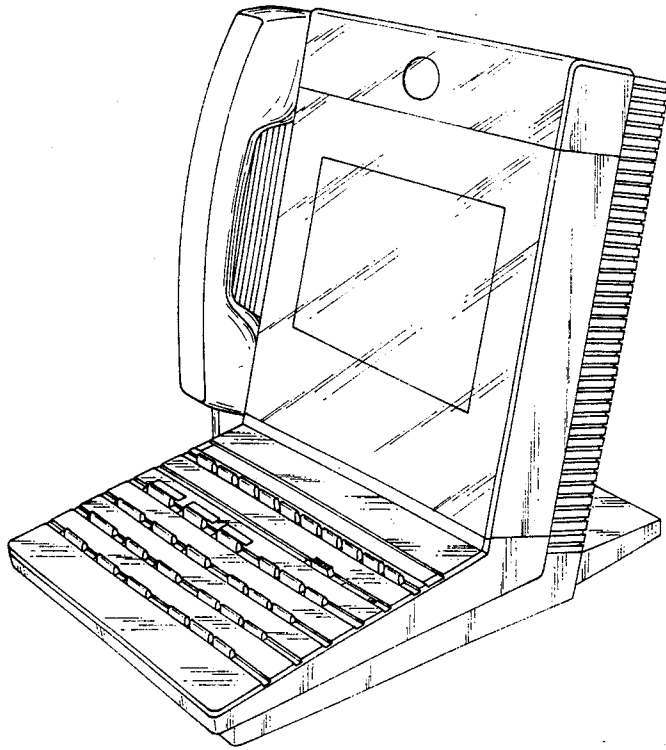


FIG. 2

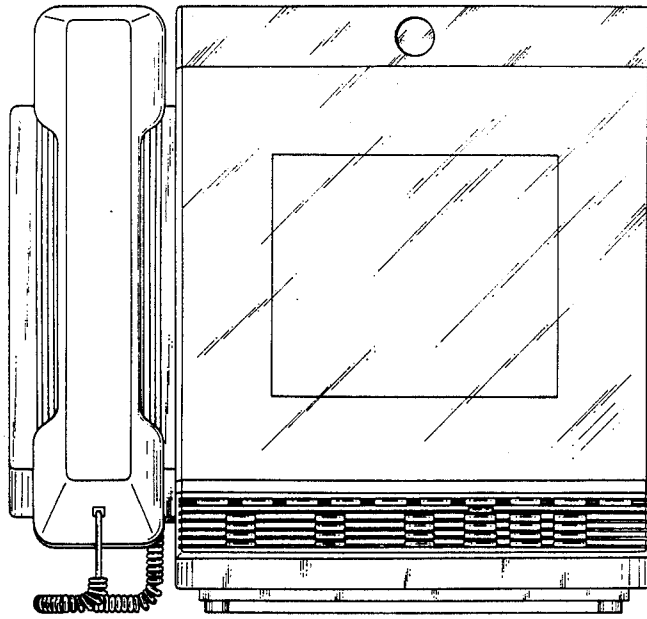


FIG. 3

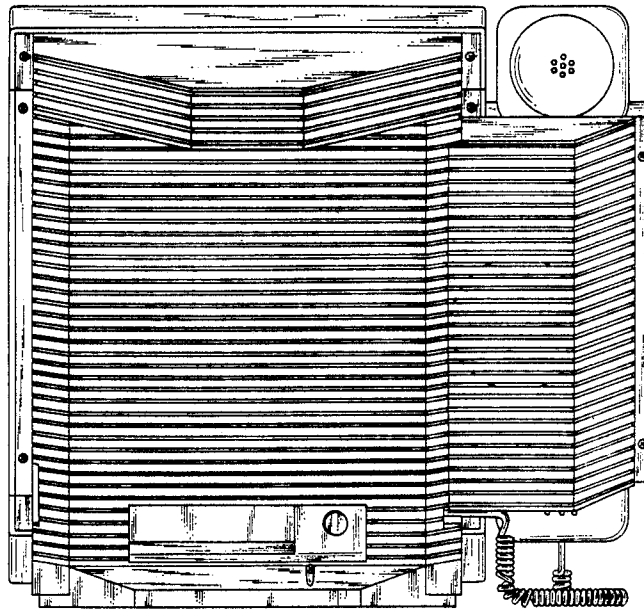


FIG. 4

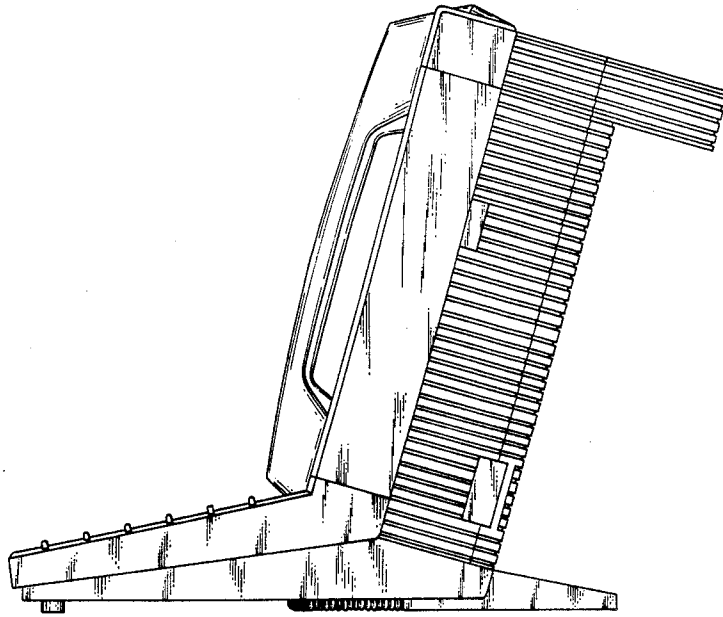


FIG. 5

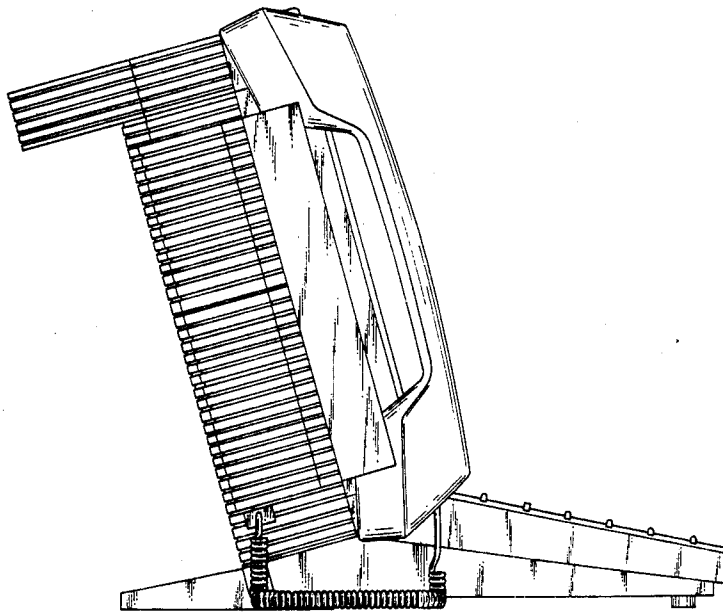


FIG. 6

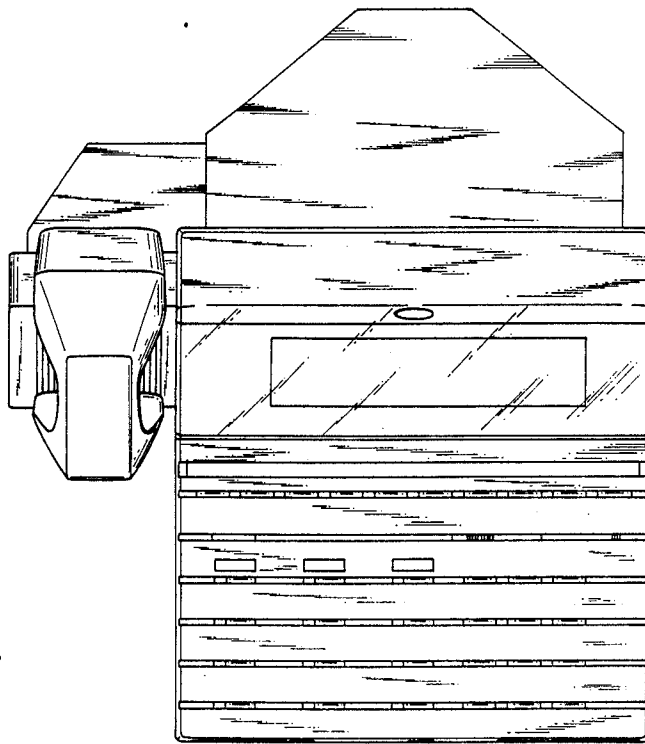


FIG. 7

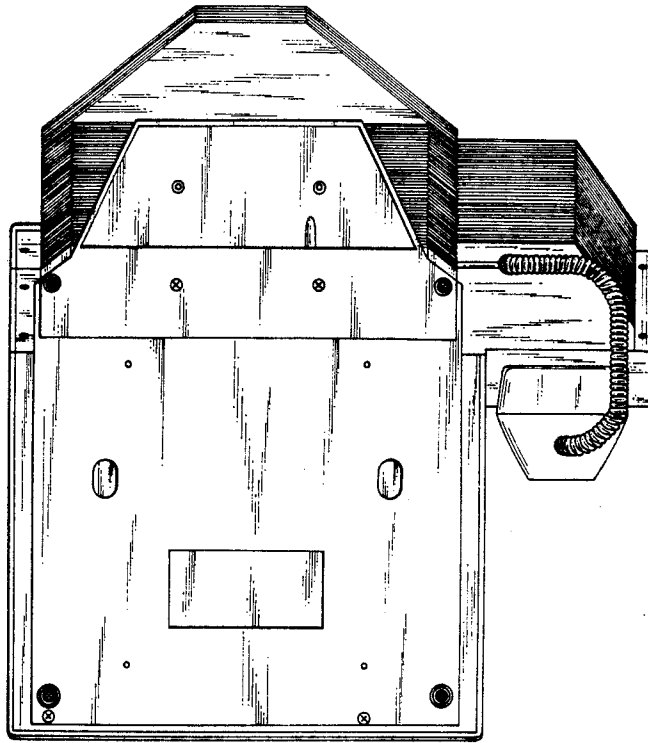


FIG. 8

