



(51) International Patent Classification:
E06B 9/174 (2006.01)

(21) International Application Number:
PCT/IB2019/051492

(22) International Filing Date:
25 February 2019 (25.02.2019)

(25) Filing Language: Italian

(26) Publication Language: English

(30) Priority Data:
102018000003023 26 February 2018 (26.02.2018) IT

(71) Applicant: **CHERUBINI S.P.A.** [IT/IT]; Via Adige, 55, I-25081 Bedizzole, Brescia (IT).

(72) Inventors: **CHERUBINI, Lionello**; c/o Cherubini S.p.A., Via Adige, 55, I-25081 Bedizzole, Brescia (IT). **GERLIN-ZANI, Matteo**; c/o Cherubini Motori S.r.l., Via Adige, 55, I-25081 Bedizzole, Brescia (IT).

(74) Agent: **PULIERI, Gianluca Antonio** et al.; c/o Jacobacci & Partners S.p.A., Piazza della Vittoria, 11, I-25122 Brescia (IT).

(81) Designated States (unless otherwise indicated, for every kind of national protection available): AE, AG, AL, AM,

AO, AT, AU, AZ, BA, BB, BG, BH, BN, BR, BW, BY, BZ, CA, CH, CL, CN, CO, CR, CU, CZ, DE, DJ, DK, DM, DO, DZ, EC, EE, EG, ES, FI, GB, GD, GE, GH, GM, GT, HN, HR, HU, ID, IL, IN, IR, IS, JO, JP, KE, KG, KH, KN, KP, KR, KW, KZ, LA, LC, LK, LR, LS, LU, LY, MA, MD, ME, MG, MK, MN, MW, MX, MY, MZ, NA, NG, NI, NO, NZ, OM, PA, PE, PG, PH, PL, PT, QA, RO, RS, RU, RW, SA, SC, SD, SE, SG, SK, SL, SM, ST, SV, SY, TH, TJ, TM, TN, TR, TT, TZ, UA, UG, US, UZ, VC, VN, ZA, ZM, ZW.

(84) Designated States (unless otherwise indicated, for every kind of regional protection available): ARIPO (BW, GH, GM, KE, LR, LS, MW, MZ, NA, RW, SD, SL, ST, SZ, TZ, UG, ZM, ZW), Eurasian (AM, AZ, BY, KG, KZ, RU, TJ, TM), European (AL, AT, BE, BG, CH, CY, CZ, DE, DK, EE, ES, FI, FR, GB, GR, HR, HU, IE, IS, IT, LT, LU, LV, MC, MK, MT, NL, NO, PL, PT, RO, RS, SE, SI, SK, SM, TR), OAPI (BF, BJ, CF, CG, CI, CM, GA, GN, GQ, GW, KM, ML, MR, NE, SN, TD, TG).

Declarations under Rule 4.17:

- as to applicant's entitlement to apply for and be granted a patent (Rule 4.17(ii))
- of inventorship (Rule 4.17(iv))

(54) Title: CONNECTION HEAD OF AN APPARATUS FOR ACTUATING ROLL-UP AWNINGS OR BLACKOUT CLOSURES

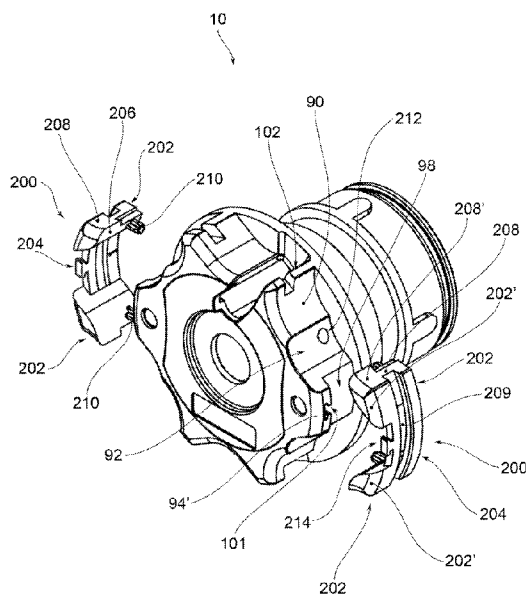


FIG. 10

(57) Abstract: A connection head (10) comprises is provided with a first body indentation (92) to accommodate a support recess (54) with a second fixed support (12b) and a second body indentation (90) flanked by said first indentation (92), divided by a body edge (94). The head further comprises an element (200) applicable to the side surface (78), having an indentation (208'). When the element (200) is applied, the indentation (208') is connected to the second body indentation (90) of the main body (76) to accommodate at least one support bracket (30, 32, 34, 36) of a first fixed support (12a).



Published:

- *with international search report (Art. 21(3))*
- *before the expiration of the time limit for amending the claims and to be republished in the event of receipt of amendments (Rule 48.2(h))*

(88) Date of publication of the international search report:

13 February 2020 (13.02.2020)

INTERNATIONAL SEARCH REPORT

International application No PCT/IB2019/051492
--

A. CLASSIFICATION OF SUBJECT MATTER INV. E06B9/174 ADD.				
According to International Patent Classification (IPC) or to both national classification and IPC				
B. FIELDS SEARCHED				
Minimum documentation searched (classification system followed by classification symbols) E06B				
Documentation searched other than minimum documentation to the extent that such documents are included in the fields searched				
Electronic data base consulted during the international search (name of data base and, where practicable, search terms used) EPO-Internal, WPI Data				
C. DOCUMENTS CONSIDERED TO BE RELEVANT				
Category*	Citation of document, with indication, where appropriate, of the relevant passages	Relevant to claim No.		
A	BE 1 018 808 A5 (RENSON VENTILATION NV [BE]) 6 September 2011 (2011-09-06) page 7, lines 12-30; figures 4-5	1-10		
A	& DE 20 2007 001705 U1 (CHERUBINI S P A [IT]) 10 May 2007 (2007-05-10) paragraphs [0017] - [0030], [0034]; figures 1-7 -----	1-10		
<input type="checkbox"/> Further documents are listed in the continuation of Box C. <input checked="" type="checkbox"/> See patent family annex.				
* Special categories of cited documents : <table style="width: 100%; border: none;"> <tr> <td style="width: 50%; border: none; vertical-align: top;"> "A" document defining the general state of the art which is not considered to be of particular relevance "E" earlier application or patent but published on or after the international filing date "L" document which may throw doubts on priority claim(s) or which is cited to establish the publication date of another citation or other special reason (as specified) "O" document referring to an oral disclosure, use, exhibition or other means "P" document published prior to the international filing date but later than the priority date claimed </td> <td style="width: 50%; border: none; vertical-align: top;"> "T" later document published after the international filing date or priority date and not in conflict with the application but cited to understand the principle or theory underlying the invention "X" document of particular relevance; the claimed invention cannot be considered novel or cannot be considered to involve an inventive step when the document is taken alone "Y" document of particular relevance; the claimed invention cannot be considered to involve an inventive step when the document is combined with one or more other such documents, such combination being obvious to a person skilled in the art "&" document member of the same patent family </td> </tr> </table>			"A" document defining the general state of the art which is not considered to be of particular relevance "E" earlier application or patent but published on or after the international filing date "L" document which may throw doubts on priority claim(s) or which is cited to establish the publication date of another citation or other special reason (as specified) "O" document referring to an oral disclosure, use, exhibition or other means "P" document published prior to the international filing date but later than the priority date claimed	"T" later document published after the international filing date or priority date and not in conflict with the application but cited to understand the principle or theory underlying the invention "X" document of particular relevance; the claimed invention cannot be considered novel or cannot be considered to involve an inventive step when the document is taken alone "Y" document of particular relevance; the claimed invention cannot be considered to involve an inventive step when the document is combined with one or more other such documents, such combination being obvious to a person skilled in the art "&" document member of the same patent family
"A" document defining the general state of the art which is not considered to be of particular relevance "E" earlier application or patent but published on or after the international filing date "L" document which may throw doubts on priority claim(s) or which is cited to establish the publication date of another citation or other special reason (as specified) "O" document referring to an oral disclosure, use, exhibition or other means "P" document published prior to the international filing date but later than the priority date claimed	"T" later document published after the international filing date or priority date and not in conflict with the application but cited to understand the principle or theory underlying the invention "X" document of particular relevance; the claimed invention cannot be considered novel or cannot be considered to involve an inventive step when the document is taken alone "Y" document of particular relevance; the claimed invention cannot be considered to involve an inventive step when the document is combined with one or more other such documents, such combination being obvious to a person skilled in the art "&" document member of the same patent family			
Date of the actual completion of the international search	Date of mailing of the international search report			
17 December 2019	03/01/2020			
Name and mailing address of the ISA/ European Patent Office, P.B. 5818 Patentlaan 2 NL - 2280 HV Rijswijk Tel. (+31-70) 340-2040, Fax: (+31-70) 340-3016	Authorized officer Kofoed, Peter			

INTERNATIONAL SEARCH REPORT

Information on patent family members

International application No
PCT/IB2019/051492

Patent document cited in search report	Publication date	Patent family member(s)	Publication date
BE 1018808	A5	06-09-2011	NONE
