

[54] GOLF CLUB HEAD

[76] Inventor: William B. Shearer, 2905 W. Main St., Muncie, Ind. 47305

[**] Term: 14 Years

[21] Appl. No.: 357,866

[22] Filed: May 30, 1989

[52] U.S. Cl. D21/219

[58] Field of Search D21/214-220; 273/164, 167-175

[56] References Cited

U.S. PATENT DOCUMENTS

- D. 297,445 8/1988 Shearer D21/219
- D. 297,964 10/1988 Shearer D21/219
- D. 313,449 1/1991 Shearer D21/219

OTHER PUBLICATIONS

Golf World, 6/3/88, p. 32, left, bottom putter.

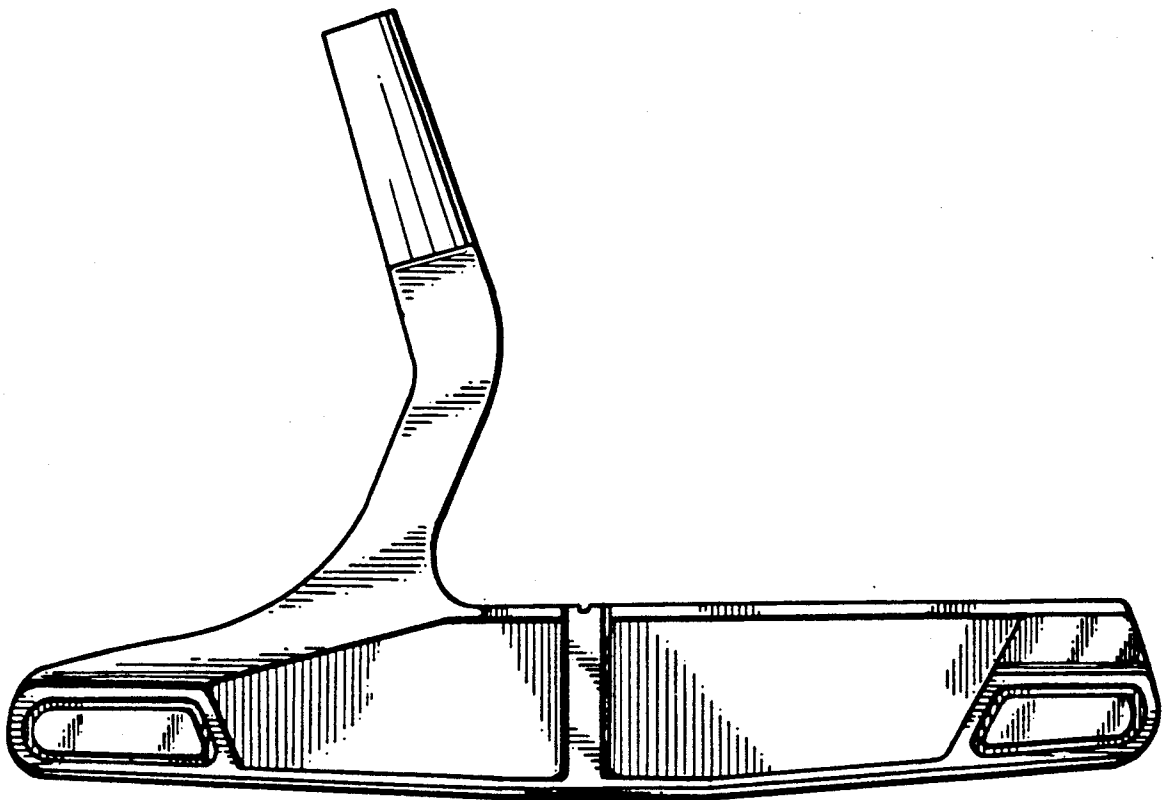
Primary Examiner—Melvin B. Feifer
Attorney, Agent, or Firm—J. David Haynes

[57] CLAIM

The ornamental design for a golf club head, as shown.

DESCRIPTION

FIG. 1 is a perspective view of a golf club head showing my new design;
 FIG. 2 is a front elevational view thereof;
 FIG. 3 is a rear elevational view thereof;
 FIG. 4 is an end view from the left of FIG. 2;
 FIG. 5 is an end view from the right of FIG. 2;
 FIG. 6 is a top plan view thereof; and
 FIG. 7 is a bottom plan view thereof.



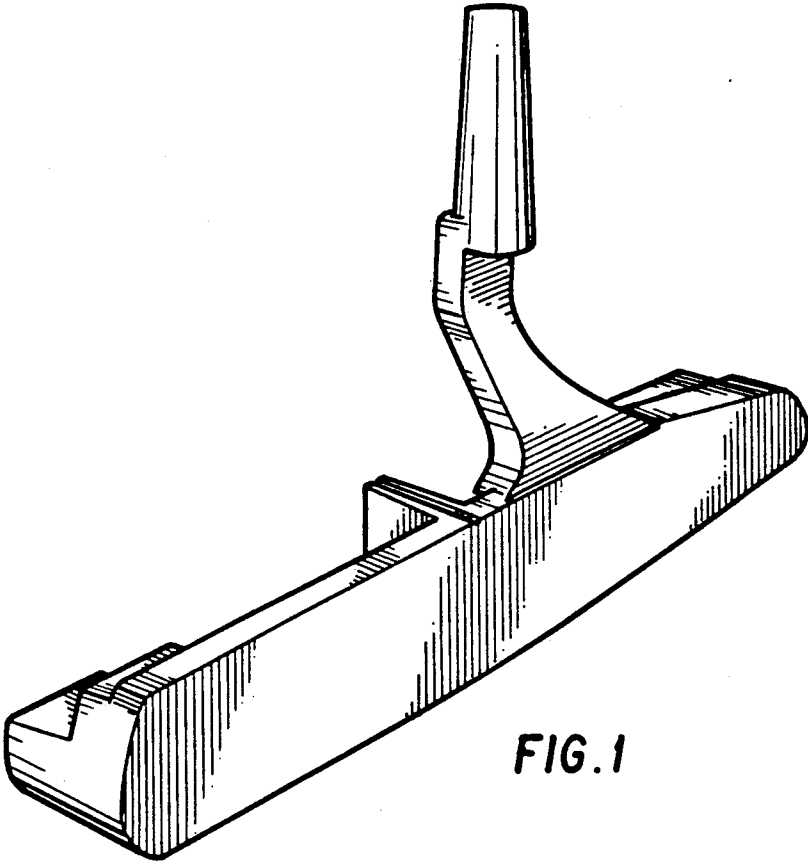


FIG. 1

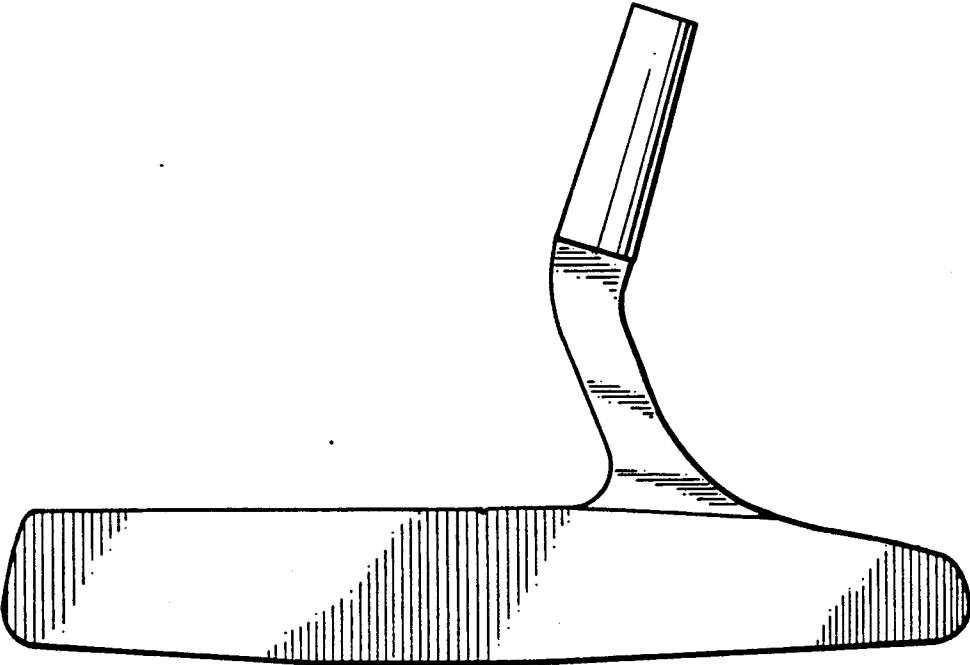


FIG. 2

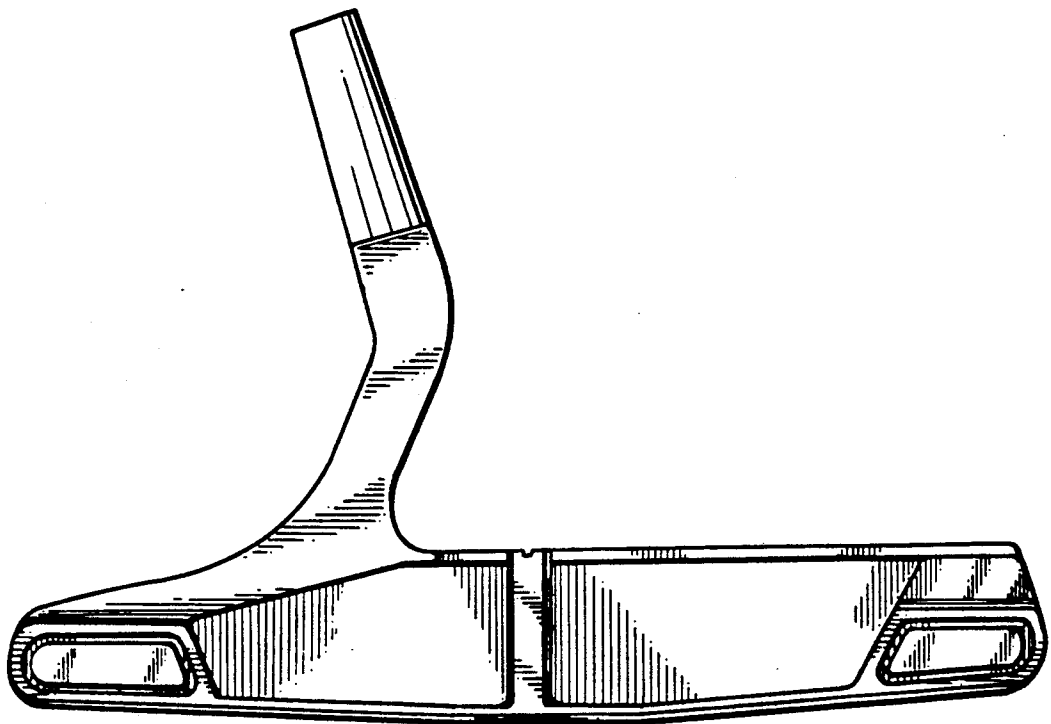


FIG. 3

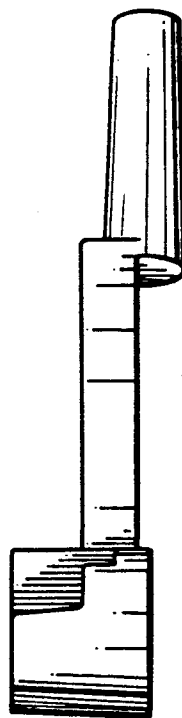


FIG. 4

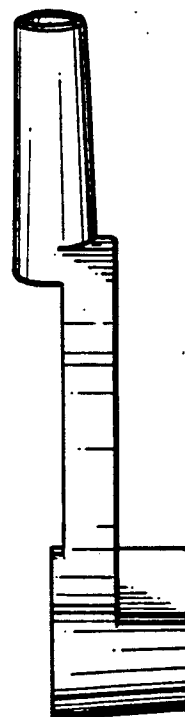


FIG. 5

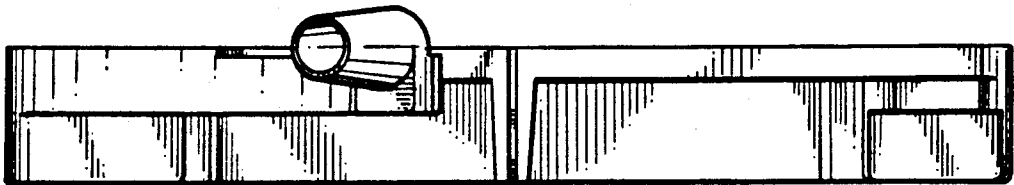


FIG. 6

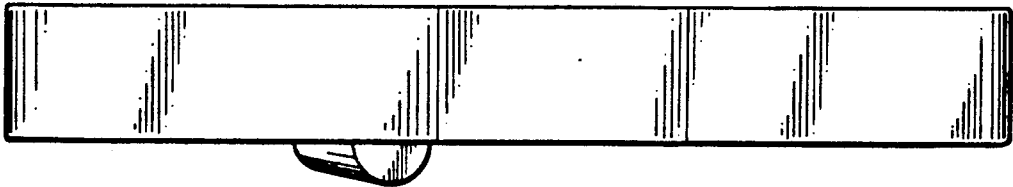


FIG. 7