



US00D841527S

(12) **United States Design Patent** (10) **Patent No.:** **US D841,527 S**  
**Kozub et al.** (45) **Date of Patent:** **\*\* Feb. 26, 2019**

(54) **VEHICLE GRILLE**  
(71) Applicant: **GM GLOBAL TECHNOLOGY OPERATIONS LLC**, Detroit, MI (US)  
(72) Inventors: **Timothy P. Kozub**, Troy, MI (US); **Stuart Cooper**, Bloomfield Hills, MI (US); **Jonghyuk Park**, Troy, MI (US)  
(73) Assignee: **GM Global Technology Operations LLC**, Detroit, MI (US)  
(\*\*) Term: **15 Years**  
(21) Appl. No.: **29/543,408**  
(22) Filed: **Oct. 23, 2015**  
(51) **LOC (11) Cl.** ..... **12-16**  
(52) **U.S. Cl.** ..... **D12/163**  
**USPC** ..... **D12/163**  
(58) **Field of Classification Search**  
USPC ..... D12/86, 90, 91, 92, 163, 169, 196, 171, D12/216; D15/31; 180/68.1, 68.6; 293/103, 115, 117, 120, 193.1, 193.11  
CPC . B60R 19/52; B60R 2019/525; B60K 11/085; B62D 25/084; H01Q 1/32  
See application file for complete search history.

D608,249 S 1/2010 Peters  
D608,690 S 1/2010 Folden et al.  
D608,691 S 1/2010 Zak, Jr. et al.  
D609,608 S 2/2010 Boniface et al.  
D611,387 S 3/2010 Thompson et al.  
D611,879 S 3/2010 Kim et al.  
D612,297 S 3/2010 Peters et al.  
D613,645 S 4/2010 Song et al.  
D615,458 S 5/2010 Thompson et al.  
D618,595 S 6/2010 Ware et al.  
D623,090 S 9/2010 Cox et al.  
D627,262 S 11/2010 Ikeda et al.  
D628,522 S \* 12/2010 Fesler ..... D12/163  
D633,832 S \* 3/2011 Matei ..... D12/163  
D635,488 S 4/2011 Phipps  
D644,147 S 8/2011 Suh et al.  
D644,567 S 9/2011 Kozub  
D645,795 S \* 9/2011 Ishibashi ..... D12/163  
D645,796 S \* 9/2011 Osawa ..... D12/163  
D651,142 S \* 12/2011 Fushimi ..... D12/163  
D657,718 S 4/2012 Zipfel et al.  
D659,052 S 5/2012 Ware et al.  
D659,053 S 5/2012 Ware et al.

(Continued)

*Primary Examiner* — Darlington Ly  
(74) *Attorney, Agent, or Firm* — Reising Ethington, P.C.

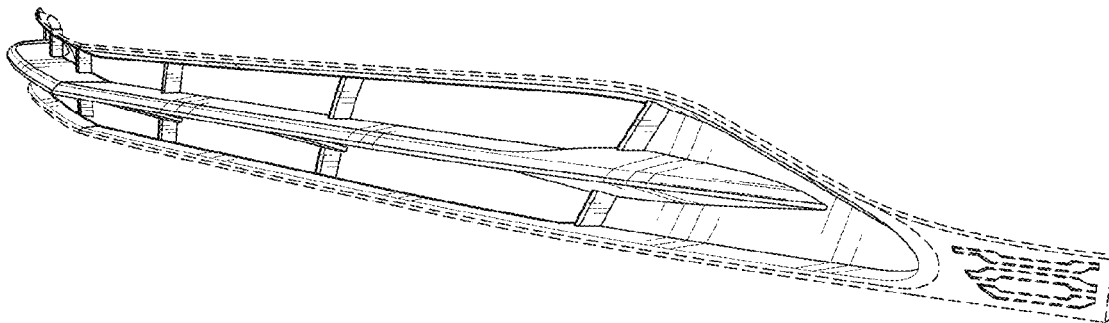
(57) **CLAIM**  
The ornamental design for a vehicle grille, as shown and described.

(56) **References Cited**  
**U.S. PATENT DOCUMENTS**  
D570,742 S 6/2008 Takagi et al.  
D592,105 S 5/2009 Dean et al.  
D597,447 S 8/2009 Folden  
D600,595 S 9/2009 Nakamura et al.  
D601,925 S 10/2009 O'Donnell  
D603,755 S 11/2009 Peters  
D604,203 S 11/2009 O'Donnell  
D605,082 S 12/2009 Munson  
D605,083 S 12/2009 Manoogian, II et al.  
D605,977 S 12/2009 Zipfel et al.  
D605,978 S 12/2009 Wolff et al.

**DESCRIPTION**

FIG. 1 is a front and left side perspective view of a vehicle grille showing our new design;  
FIG. 2 is an enlarged left side elevation view thereof, to which the right side elevation view is a mirror image;  
FIG. 3 is a top plan view thereof; and,  
FIG. 4 is a front elevation view thereof.  
The broken lines in the drawings illustrate portions of the vehicle grille that form no part of the claimed design.

**1 Claim, 2 Drawing Sheets**



(56)

References Cited

U.S. PATENT DOCUMENTS

D668,182 S	10/2012	Barba Franco et al.	D716,706 S	11/2014	Thole et al.
D668,183 S	10/2012	Smart	D716,709 S	11/2014	Thole et al.
D678,820 S	3/2013	Son et al.	D717,696 S	11/2014	Thole et al.
D678,821 S	3/2013	Ikeda et al.	D718,189 S	11/2014	Krieg et al.
D679,225 S *	4/2013	Gifford ..... D12/163	D718,683 S	12/2014	Thole et al.
D680,034 S *	4/2013	Sugiura ..... D12/163	D722,282 S	2/2015	Loeb
D680,909 S	4/2013	Munson et al.	D722,533 S	2/2015	Thole et al.
D680,910 S	4/2013	David	D722,534 S	2/2015	Munson et al.
D684,899 S	6/2013	Baker	D724,510 S	3/2015	McMahan et al.
D686,536 S	7/2013	McCabe et al.	D725,001 S	3/2015	McMahan et al.
D692,798 S	11/2013	Thurber	D726,591 S	4/2015	Jacob
D692,799 S	11/2013	Smith et al.	D730,776 S	6/2015	Smart
D692,803 S *	11/2013	Nakahara ..... D12/163	D730,783 S	6/2015	Henriques et al.
D696,157 S	12/2013	Loeb	D732,427 S	6/2015	Loeb
D699,629 S	2/2014	Ikeda et al.	D732,429 S	6/2015	Loeb
D700,871 S	3/2014	O'Donnell et al.	D732,430 S	6/2015	Loeb
D702,155 S *	4/2014	Hanaoka ..... D12/163	D732,431 S	6/2015	Loeb
D702,601 S *	4/2014	Wada ..... D12/163	D732,432 S	6/2015	Aengenheyster
D703,103 S	4/2014	Lee	D732,433 S	6/2015	Aengenheyster
D704,103 S	5/2014	Mack et al.	D732,435 S	6/2015	Mackay
D705,132 S	5/2014	Ware et al.	D733,002 S	6/2015	Loeb
D705,699 S	5/2014	Ware et al.	D735,611 S	8/2015	Aengenheyster
D711,293 S *	8/2014	Waterman ..... D12/163	D735,627 S	8/2015	Smith
D713,298 S	9/2014	Dyson	D736,451 S	8/2015	Smith
D713,764 S	9/2014	Ferlazzo et al.	D739,306 S	9/2015	McMahan et al.
D716,696 S	11/2014	Thole et al.	D739,317 S	9/2015	McMahan et al.
			D741,223 S	10/2015	Kim et al.
			D753,028 S *	4/2016	Frascella ..... D12/163
			D753,030 S *	4/2016	Frascella ..... D12/163

\* cited by examiner

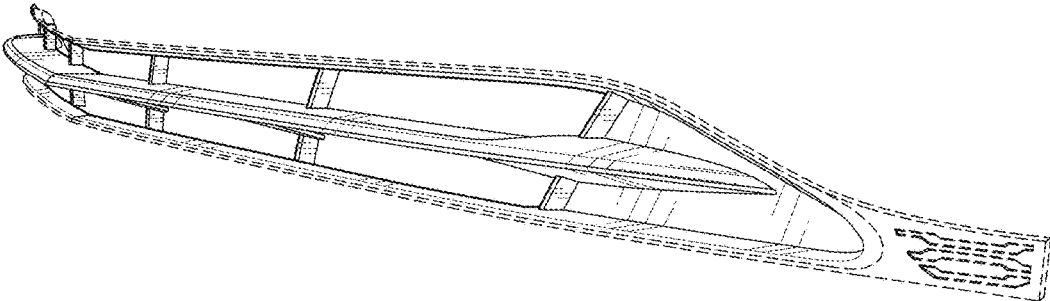


Fig. 1

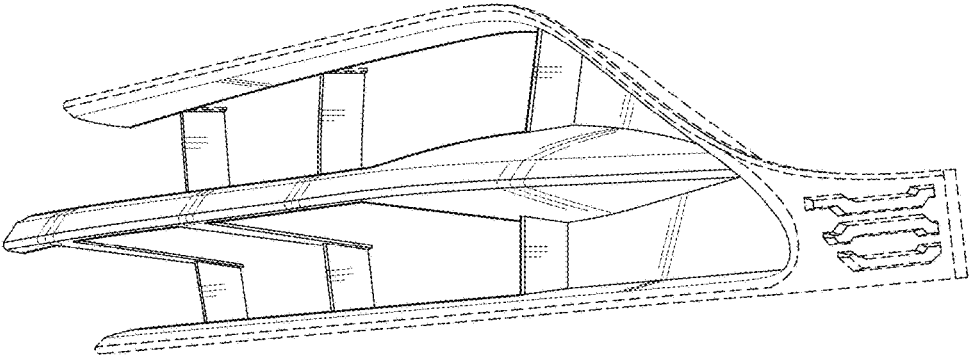


Fig. 2

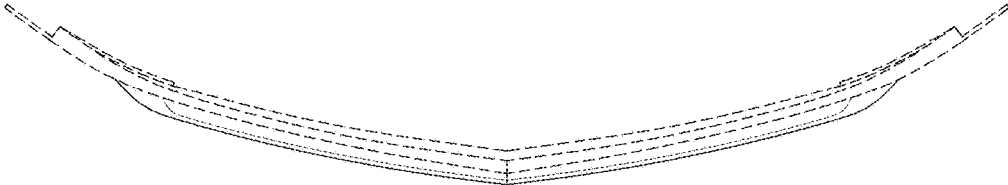


Fig. 3

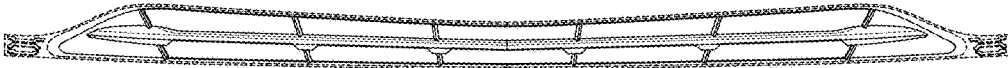


Fig. 4