



US00D465416S

(12) **United States Design Patent** (10) **Patent No.:** **US D465,416 S**
Dzwill et al. (45) **Date of Patent:** **** Nov. 12, 2002**

(54) **CONTAINER FOR PACKAGES OF CONTACT LENSES**

(75) Inventors: **Edward A. Dzwill**, Ponte Vedra Beach, FL (US); **Robert W. Bennett**, Charlotte, NC (US)

(73) Assignee: **Johnson & Johnson Vision Care, Inc.**, Jacksonville, FL (US)

(**) Term: **14 Years**

(21) Appl. No.: **29/141,626**

(22) Filed: **May 9, 2001**

(51) **LOC (7) Cl.** **09-03**

(52) **U.S. Cl.** **D9/432**

(58) **Field of Search** D9/414, 416, 432, D9/433, 499; 206/5, 5.1, 37, 316.1, 476, 494, 527; 220/229, 780, 890; 229/100, 123.1, 123.2, 200, 238, 210, 124, 126, 190, 800

(56) **References Cited**

U.S. PATENT DOCUMENTS

| | | |
|-------------|---------|--------------------|
| 112,306 A | 2/1871 | Wilcox |
| 183,466 A | 10/1876 | Pearl |
| 329,134 A | 10/1885 | Brotz |
| 897,608 A | 9/1908 | Ely |
| 1,336,646 A | 4/1920 | Mendenhall |
| 1,476,822 A | 12/1923 | Kronenberger |
| 1,869,724 A | 8/1932 | Wallace |
| 2,024,832 A | 12/1935 | Myers |
| 2,151,202 A | 3/1939 | Guyers |
| 2,285,542 A | 6/1942 | Tasker |
| 2,326,390 A | 8/1943 | Platt |
| 2,619,226 A | 11/1952 | Adams |
| 2,680,558 A | 6/1954 | Mai |
| 2,760,710 A | 8/1956 | Fritz |
| 2,828,060 A | 3/1958 | Brown |
| 2,967,010 A | 1/1961 | Cuffey, Jr. et al. |
| 2,974,854 A | 3/1961 | Moore |
| 2,984,400 A | 5/1961 | Kuchenbecker |
| 3,018,941 A | 1/1962 | Wagaman |
| 3,035,756 A | 5/1962 | Mullinix |

| | | |
|-------------|---------|-------------------|
| 3,228,573 A | 1/1966 | Nerenberg et al. |
| 3,257,067 A | 6/1966 | Buttery et al. |
| 3,261,537 A | 7/1966 | Kistner |
| 3,281,059 A | 10/1966 | Buttery et al. |
| 3,298,595 A | 1/1967 | Collura |
| 3,366,310 A | 1/1968 | Simpson et al. |
| 3,368,739 A | 2/1968 | Roccaforte et al. |
| 3,491,937 A | 1/1970 | Brastad |
| 3,522,907 A | 8/1970 | Utterback, Jr. |
| 3,524,580 A | 8/1970 | Heyworth |
| 3,549,082 A | 12/1970 | Simpson |
| 3,554,432 A | 1/1971 | Horry |
| 3,591,071 A | 7/1971 | Rosenburg, Jr. |
| 3,595,466 A | 7/1971 | Rosenburg, Jr. |
| 3,603,502 A | 9/1971 | Howard et al. |
| 3,620,438 A | 11/1971 | Wood et al. |
| 3,664,572 A | 5/1972 | Puchkoff et al. |

(List continued on next page.)

Primary Examiner—James Gandy

Assistant Examiner—Daniel Bui

(74) *Attorney, Agent, or Firm*—Anne B. Kiernan

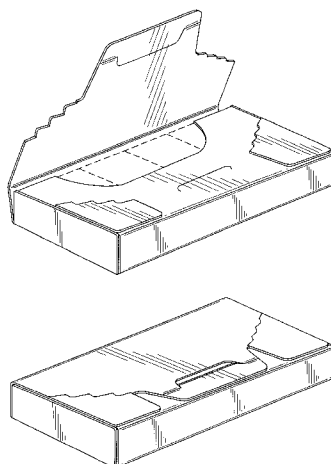
(57) **CLAIM**

The ornamental design for a container for packages of contact lenses, as shown and described.

DESCRIPTION

FIG. 1 is a perspective view of a container for packages of contact lenses showing our new design; FIG. 2 is a top plan view thereof; FIG. 3 is a front elevational view thereof; FIG. 4 is a right side elevational view thereof; the left side elevational view being a mirror image thereof; FIG. 5 is a rear elevational view thereof; FIG. 6 is a bottom plan view thereof; FIG. 7 is a perspective view thereof in open position with the perforations of the container broken; and, FIG. 8 is a perspective view thereof with the perforations of the container broken and the front tab tucked in. The showing of the packages of contact lens in broken lines is for illustrative purposes only and forms no part of the claim.

1 Claim, 8 Drawing Sheets



US D465,416 S

Page 2

U.S. PATENT DOCUMENTS

| | | | | | |
|-------------|---------|------------------|-------------|---------|----------------|
| | | | 4,634,007 A | 1/1987 | Rusnock |
| 3,727,828 A | 4/1973 | Hall | 4,696,402 A | 9/1987 | Harmon et al. |
| 3,833,165 A | 9/1974 | Hoiles | 4,836,438 A | 6/1989 | Rigby |
| 3,844,472 A | 10/1974 | Mueller | 4,838,430 A | 6/1989 | Beeman et al. |
| 3,863,834 A | 2/1975 | Sandford | 4,949,845 A | 8/1990 | Dixon |
| 3,899,126 A | 8/1975 | Palmer | 4,967,911 A | 11/1990 | Lo Duca |
| 3,918,631 A | 11/1975 | Hackenberg | 5,036,981 A | 8/1991 | Johansson |
| 3,966,113 A | 6/1976 | Tipton | 5,123,589 A | 6/1992 | Cote |
| 4,008,849 A | 2/1977 | Baber | 5,154,343 A | 10/1992 | Stone |
| 4,083,454 A | 4/1978 | O'Neill | 5,198,276 A | 3/1993 | Nakajima |
| 4,113,102 A | 9/1978 | Mueller | 5,314,114 A | 5/1994 | Stone |
| 4,170,305 A | 10/1979 | Hull, Jr. et al. | 5,358,176 A | 10/1994 | Rigby |
| 4,232,816 A | 11/1980 | Johnson et al. | 5,518,111 A | 5/1996 | Stout |
| 4,236,636 A | 12/1980 | Kuchenbecker | 5,522,538 A | 6/1996 | Gray |
| 4,318,474 A | 3/1982 | Hasegawa | 5,577,612 A | 11/1996 | Chesson et al. |
| 4,360,106 A | 11/1982 | Irvine et al. | 5,620,088 A | 4/1997 | Martin et al. |
| 4,436,206 A | 3/1984 | Kuchenbecker | 5,685,420 A | 11/1997 | Martin et al. |
| 4,470,511 A | 9/1984 | Meeker et al. | 5,697,495 A | 12/1997 | Abrams et al. |
| 4,607,749 A | 8/1986 | Jacob | | | |

FIG. 1

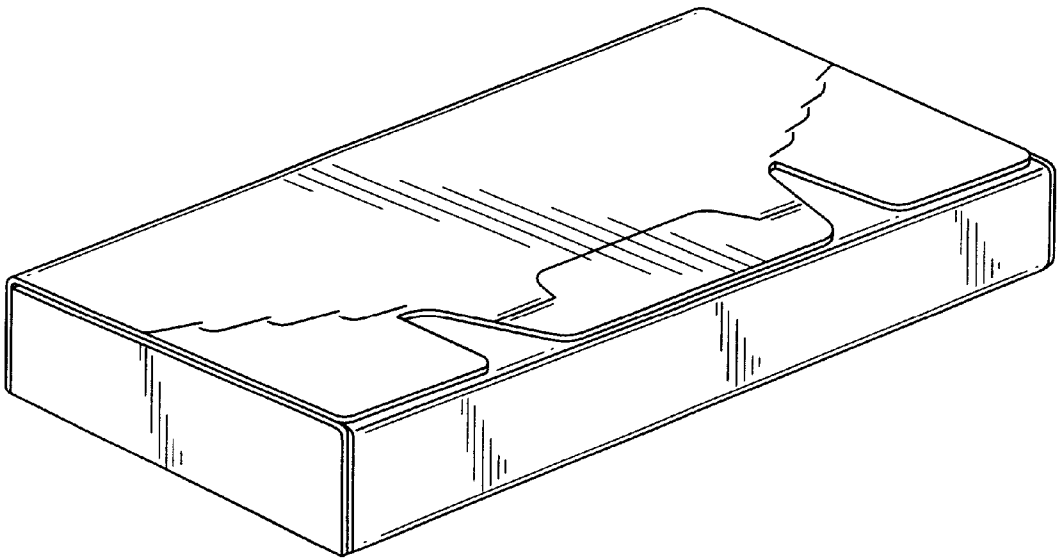


FIG. 2

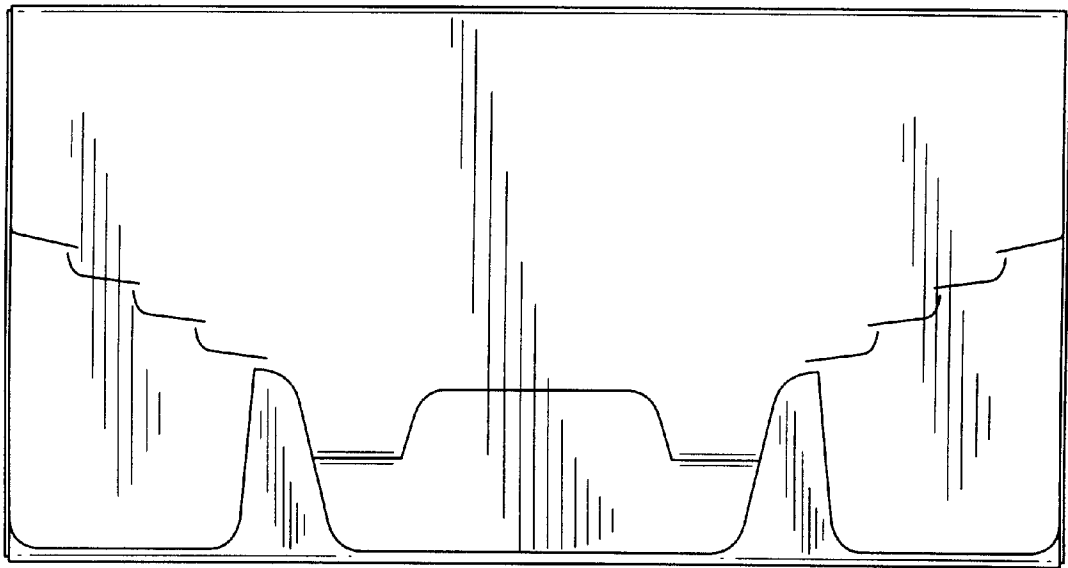


FIG. 3



FIG. 4



FIG. 5

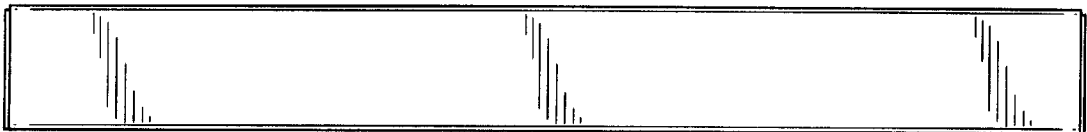


FIG. 6

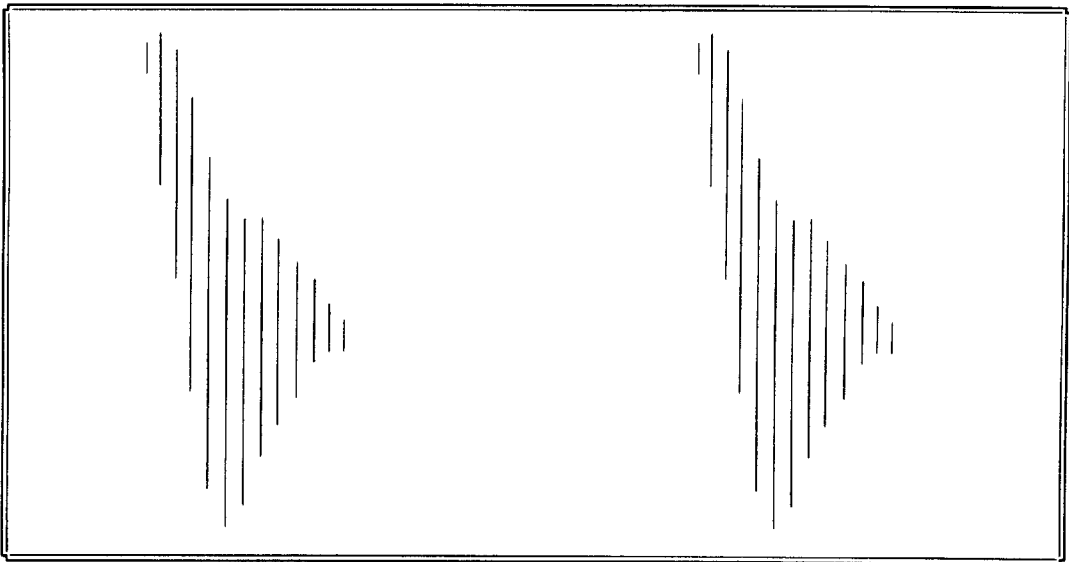


FIG. 7

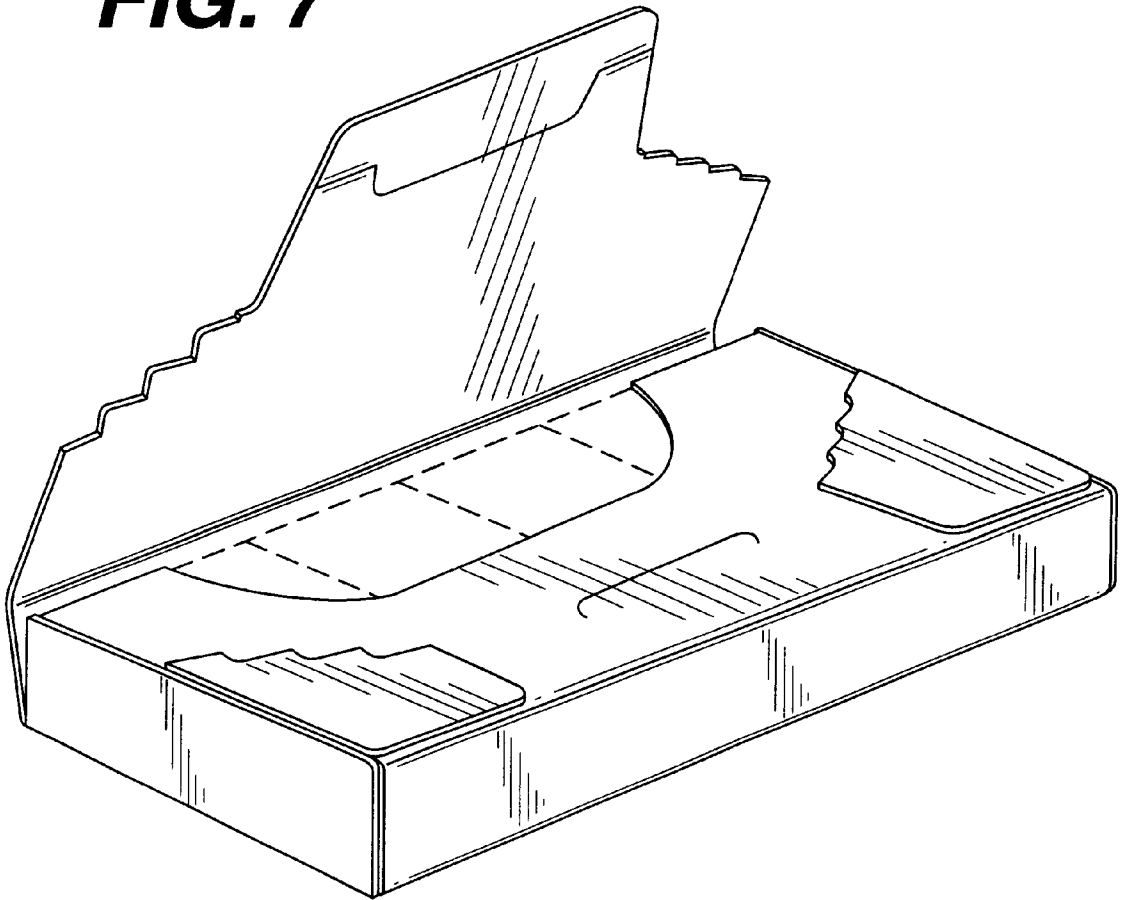


FIG. 8

